



US00D986821S

(12) **United States Design Patent**
Yan

(10) **Patent No.:** **US D986,821 S**

(45) **Date of Patent:** **** May 23, 2023**

(54) **EV CHARGER CONTROL BOX**
(71) Applicant: **Taiyuan Crown Victory Network Technology Co., Ltd., Shanxi (CN)**
(72) Inventor: **Junjiang Yan, Guangdong (CN)**
(73) Assignee: **Taiyuan Crown Victory Network Technology Co., Ltd., Taiyuan (CN)**
(**) Term: **15 Years**

D903,586 S	12/2020	Jiang	
D942,378 S *	2/2022	Park	D13/107
D943,519 S *	2/2022	Kihl	D13/107
D961,502 S *	8/2022	Hwang	D13/107
D971,136 S *	11/2022	Guan	D13/107
D981,338 S *	3/2023	Plomteux	D13/107
D981,339 S *	3/2023	Plomteux	D13/107
2012/0268067 A1 *	10/2012	Poulsen	B60L 53/14 320/109
2013/0322017 A1 *	12/2013	Muller	B60L 53/16 361/690
2015/0054462 A1 *	2/2015	Weidinger	B60L 53/16 320/109

(21) Appl. No.: **29/871,717**
(22) Filed: **Feb. 25, 2023**
(51) **LOC (14) Cl.** **13-02**
(52) **U.S. Cl.**
USPC **D13/107**
(58) **Field of Classification Search**
USPC D13/137.2, 133, 123, 137.1, 110, 147,
D13/146, 107, 108, 101; 385/76
CPC H01R 24/78; H01R 25/006; G02B 6/3878;
G02B 6/38875; G02B 6/3885; B60L
11/1809
See application file for complete search history.

* cited by examiner

Primary Examiner — Cynthia R Underwood

(57) **CLAIM**

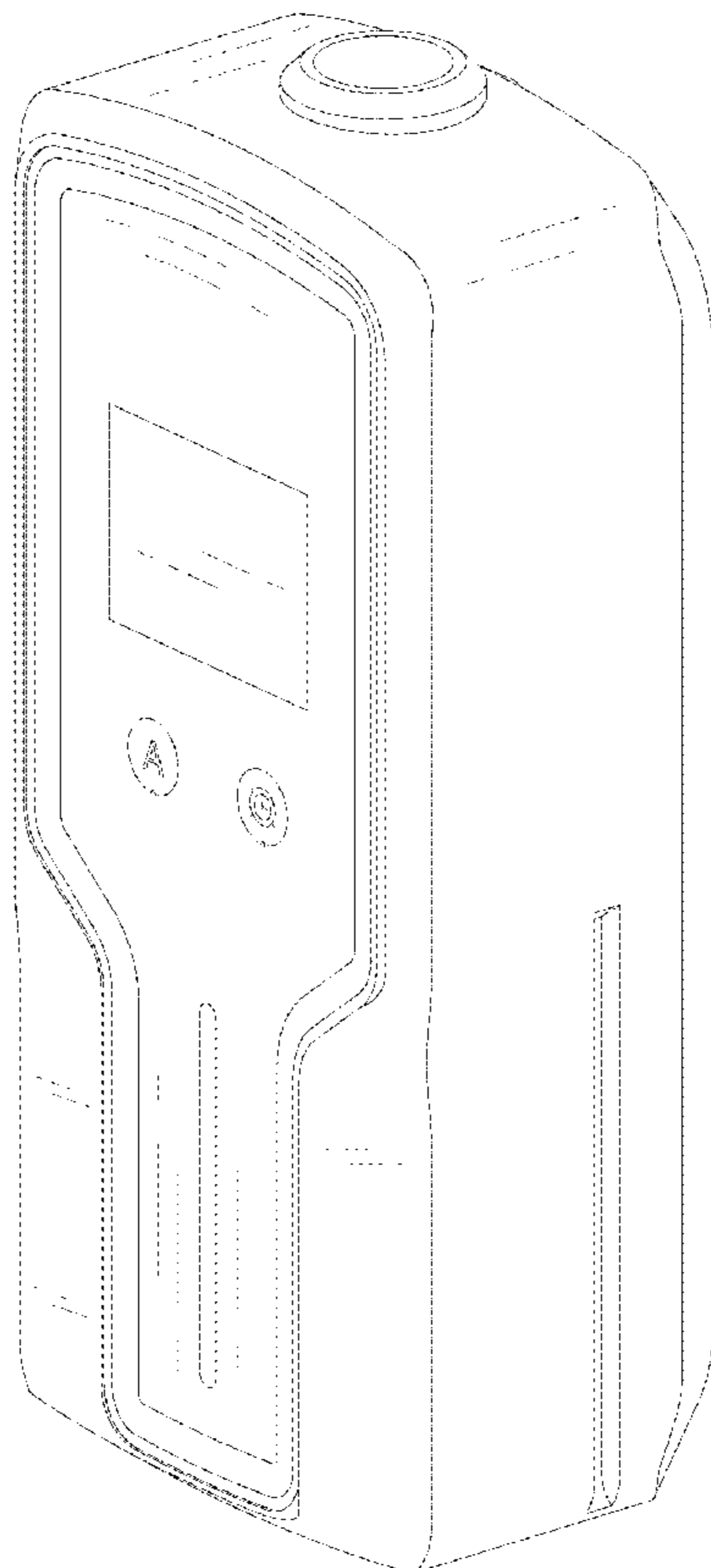
The ornamental design for an EV charger control box, as shown and described.

DESCRIPTION

FIG. 1 is a top, front, right side perspective view of an EV charger control box, showing my new design;
FIG. 2 is a bottom, rear side perspective view thereof;
FIG. 3 is a front elevational view thereof;
FIG. 4 is a rear devotional view thereof;
FIG. 5 is a left side elevational view thereof;
FIG. 6 is a right side elevational view thereof;
FIG. 7 is a top plan view thereof; and,
FIG. 8 is a bottom plan view thereof.

(56) **References Cited**
U.S. PATENT DOCUMENTS
D888,657 S * 6/2020 Helnerus D13/107
D902,846 S 11/2020 Luo

1 Claim, 8 Drawing Sheets



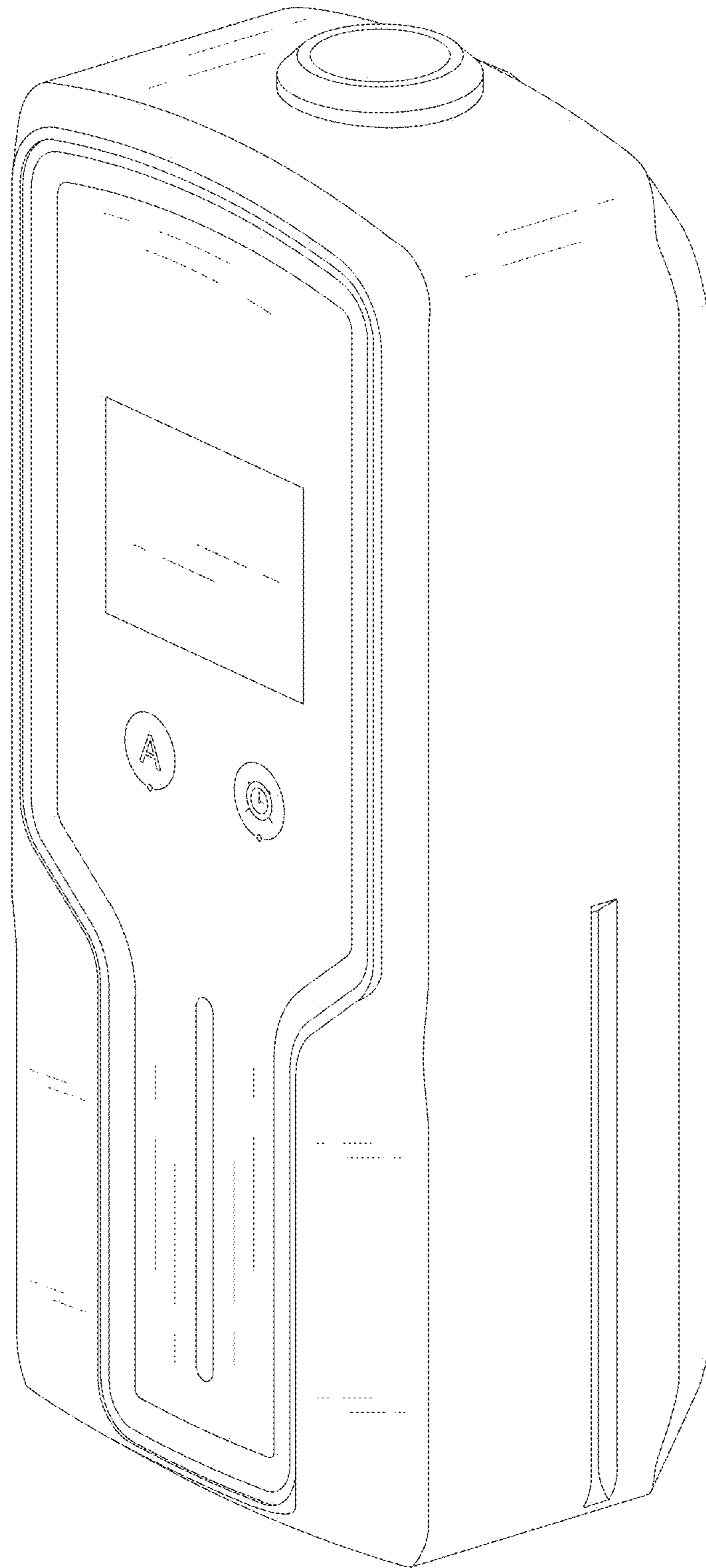


FIG. 1

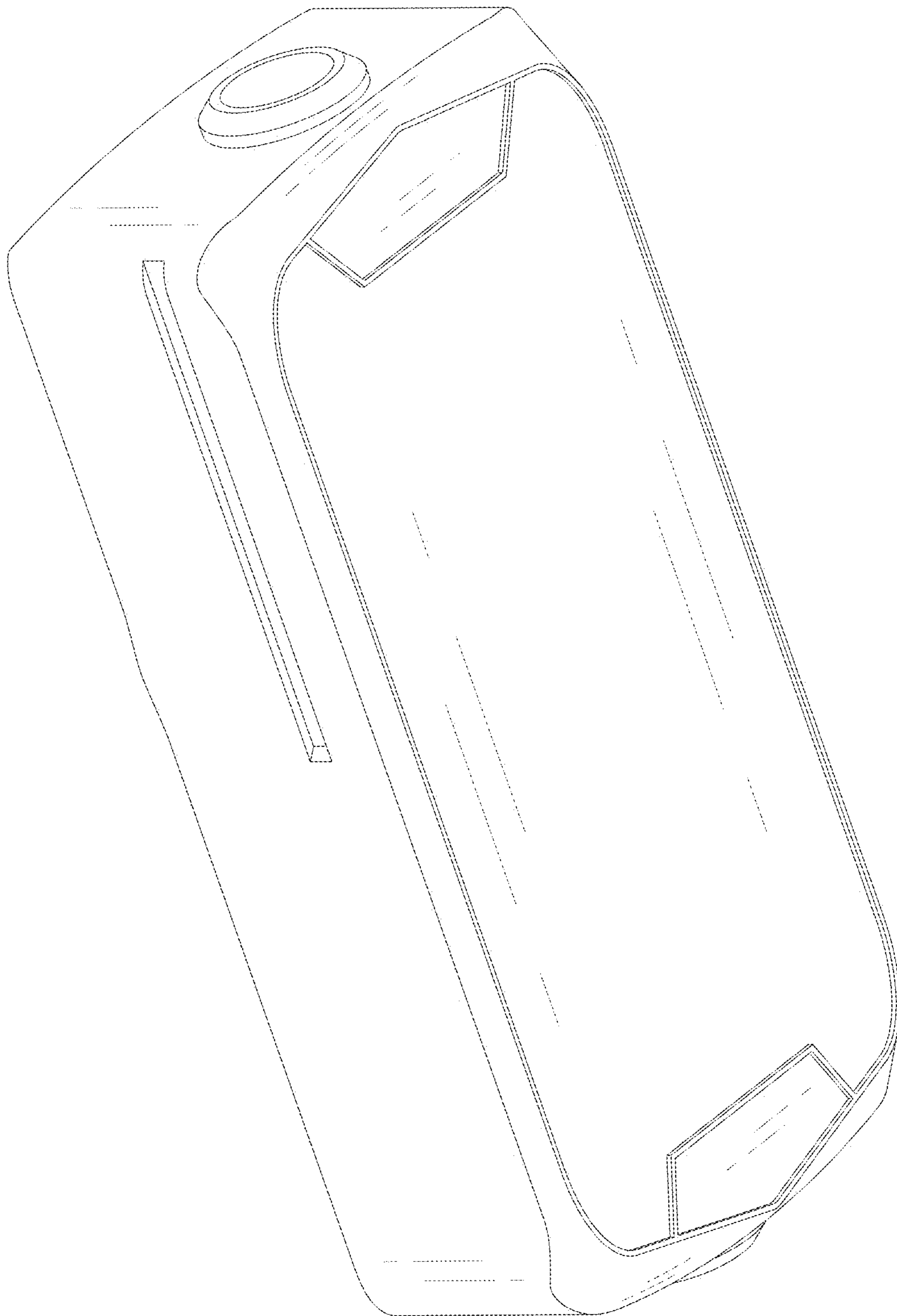


FIG. 2

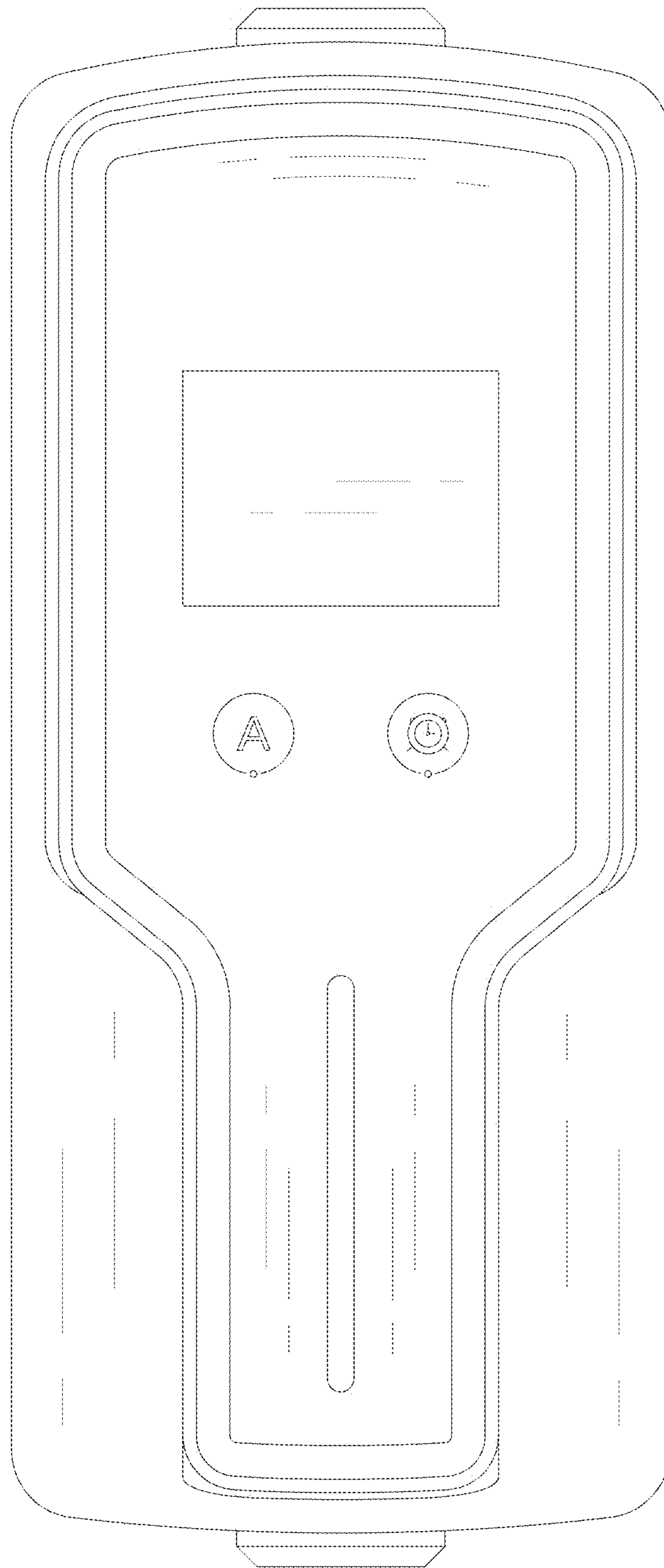


FIG. 3

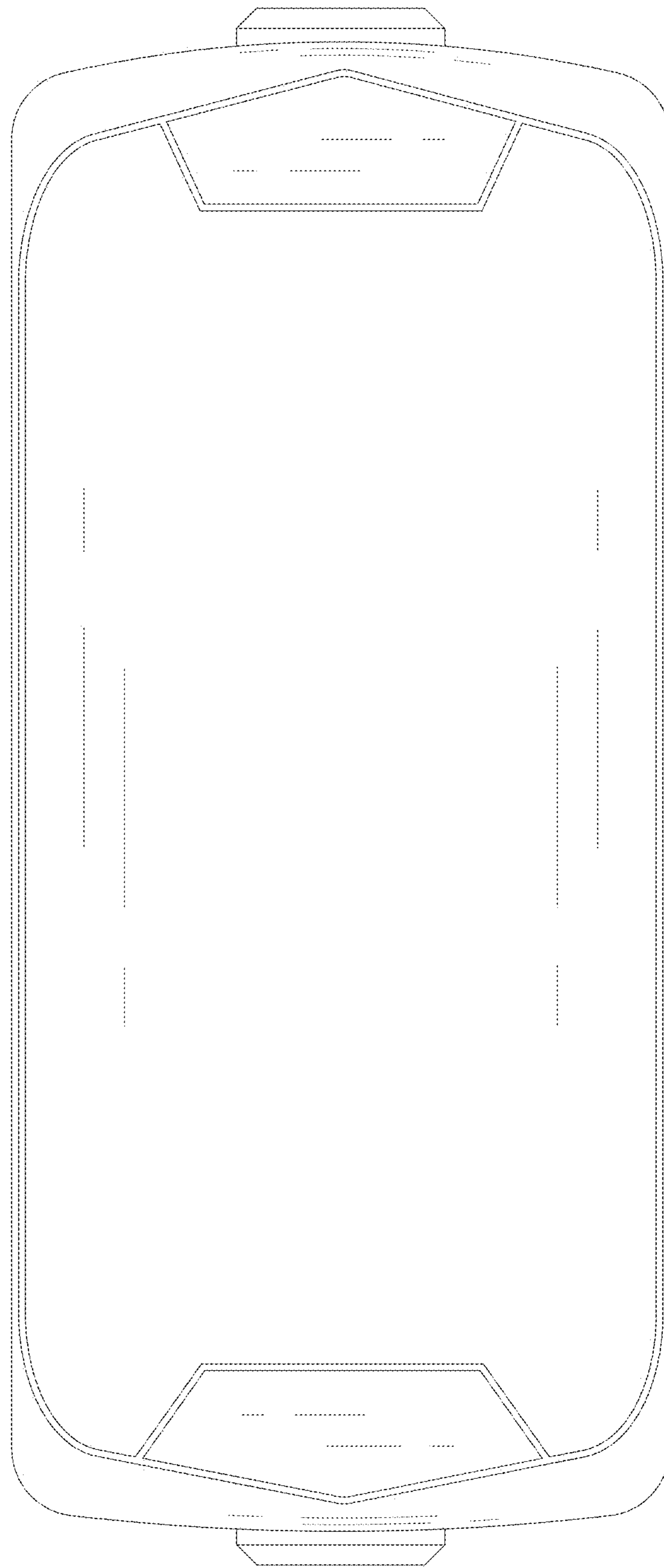


FIG. 4

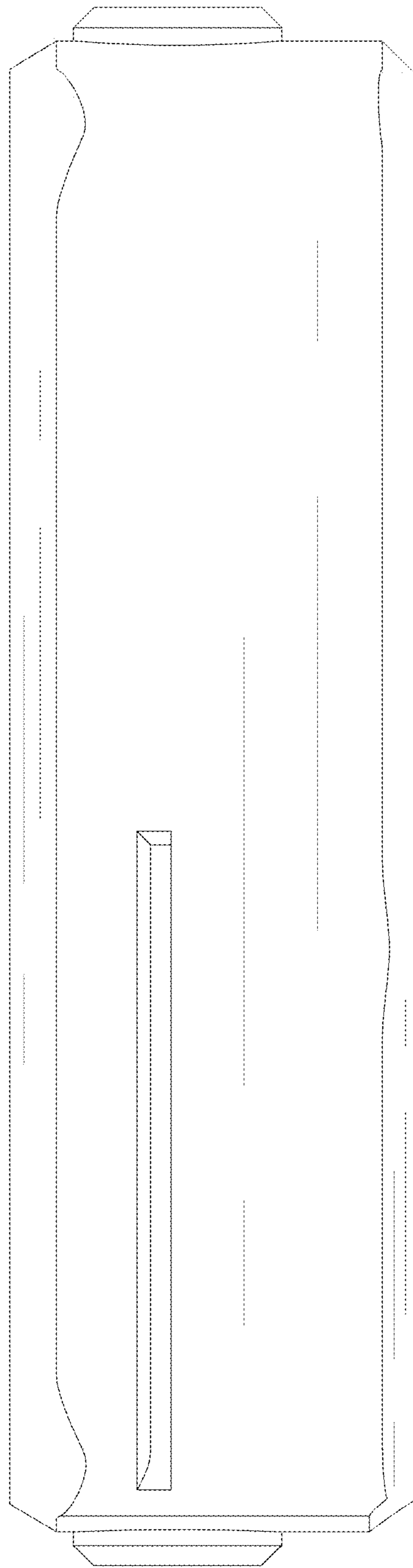


FIG. 5

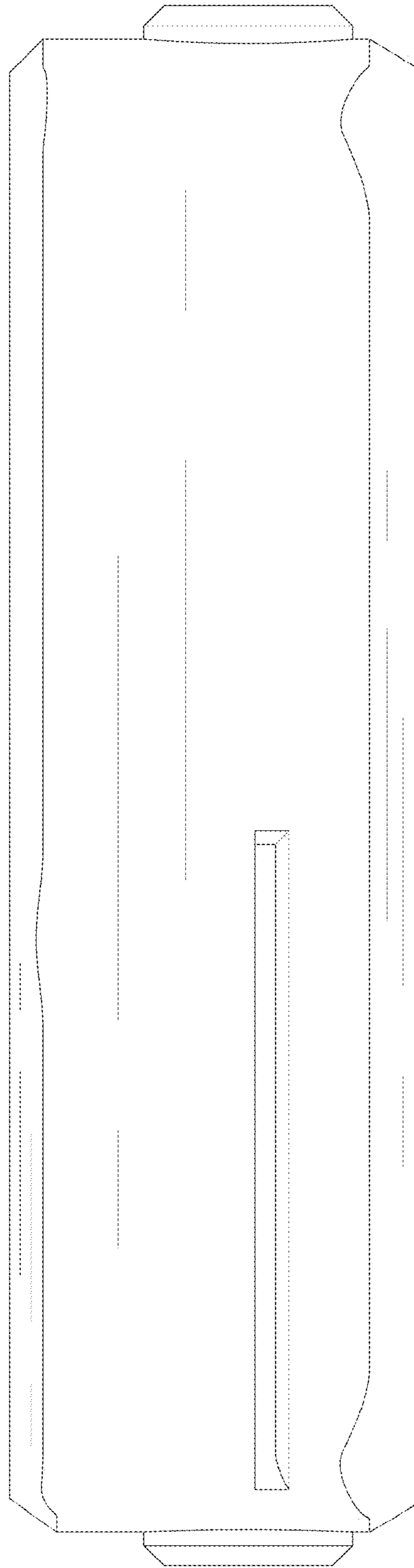


FIG. 6

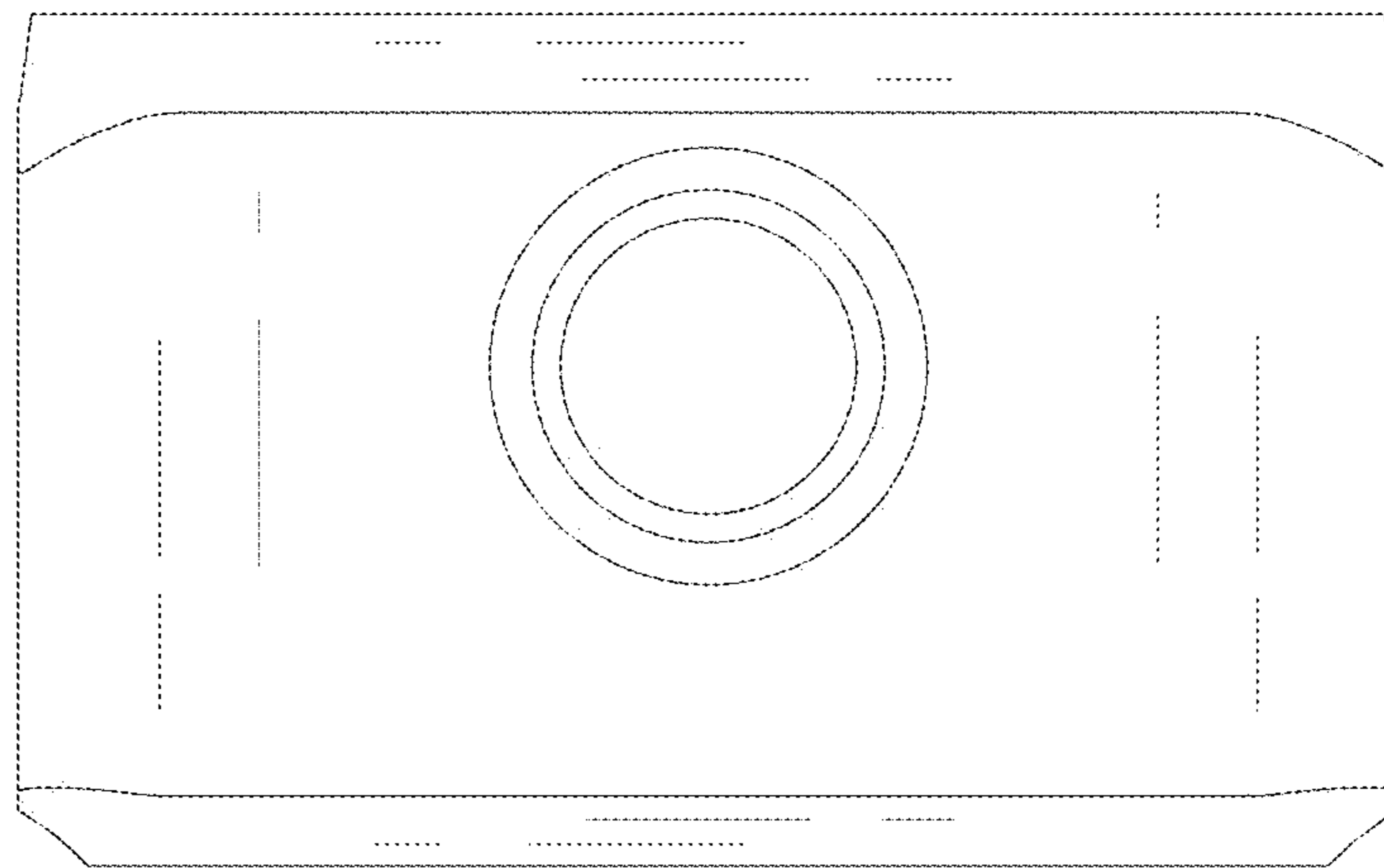


FIG. 7

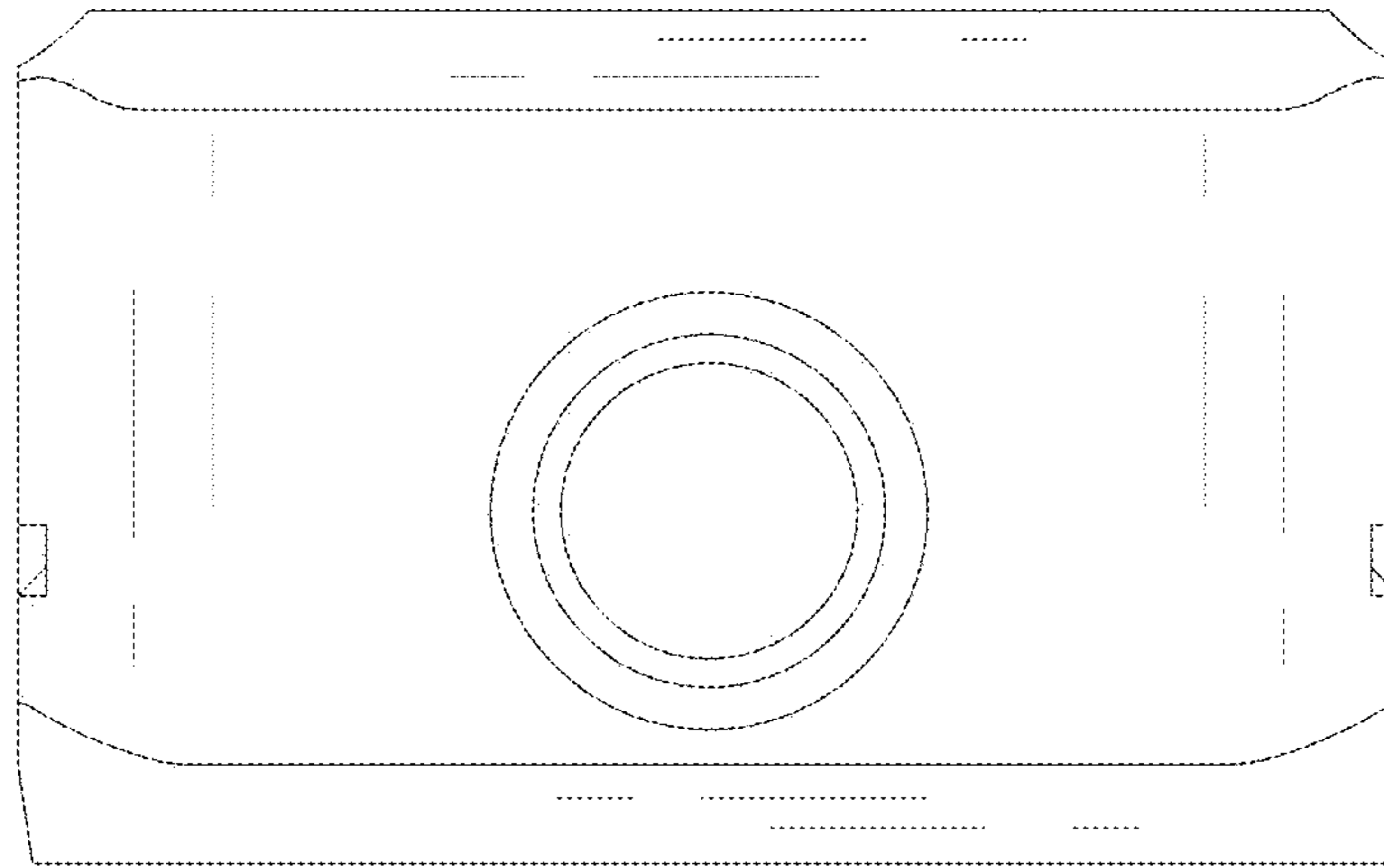


FIG. 8