



US00D986818S

(12) **United States Design Patent**
Schmidt

(10) **Patent No.:** **US D986,818 S**

(45) **Date of Patent:** **** May 23, 2023**

(54) **WALLBOX AND POWER OUTLET**

(71) Applicant: **Weidmüller Interface GmbH & Co. KG, Detmold (DE)**

(72) Inventor: **Klaus Schmidt, Duisburg (DE)**

(73) Assignee: **Weidmüller Interface GmbH & Co. KG**

(**) Term: **15 Years**

(21) Appl. No.: **29/763,070**

(22) Filed: **Dec. 21, 2020**

Related U.S. Application Data

(62) Division of application No. 29/707,165, filed on Sep. 26, 2019, now Pat. No. Des. 941,754.

(30) **Foreign Application Priority Data**

Mar. 29, 2019 (EM) 006352753

(51) **LOC (14) Cl.** **13-02**

(52) **U.S. Cl.**
USPC **D13/107**

(58) **Field of Classification Search**
USPC D13/107-108, 118-119, 184, 199
CPC H02J 7/0021; H02J 7/0026; H02J 7/0027;
H02J 7/0013; H02J 2310/40; H02J
2310/48

See application file for complete search history.

(56) **References Cited**

U.S. PATENT DOCUMENTS

D524,282 S * 7/2006 Beasley D13/108
D582,342 S * 12/2008 Chen D13/118
D626,063 S 10/2010 Cutter et al.

D628,960 S 12/2010 Shimizu et al.
D632,645 S 2/2011 Blain
D651,561 S 1/2012 Petrie et al.
D652,791 S 1/2012 Petrie et al.
D655,242 S 3/2012 Holthusen
D655,344 S 8/2012 Petrie et al.
D655,733 S 8/2012 Petrie et al.
D665,344 S * 8/2012 Petrie D13/107
D665,733 S * 8/2012 Petrie D13/107
D692,374 S 10/2013 Choi
D704,639 S * 5/2014 Alesi D13/110
D706,213 S 6/2014 Titus
D713,340 S * 9/2014 Repp D13/118
D725,032 S 3/2015 Demirjian et al.
D758,304 S * 6/2016 Wright D13/107
D786,792 S * 5/2017 Miller D13/110
D795,182 S 8/2017 Akana et al.
D801,015 S 10/2017 Gibson
D809,456 S 2/2018 Miller et al.
D810,015 S * 2/2018 Carreon D13/108

(Continued)

FOREIGN PATENT DOCUMENTS

KR 300681046.0000 * 2/2013

Primary Examiner — Rosemary K Tarcza

(74) *Attorney, Agent, or Firm* — Laubscher & Laubscher PC

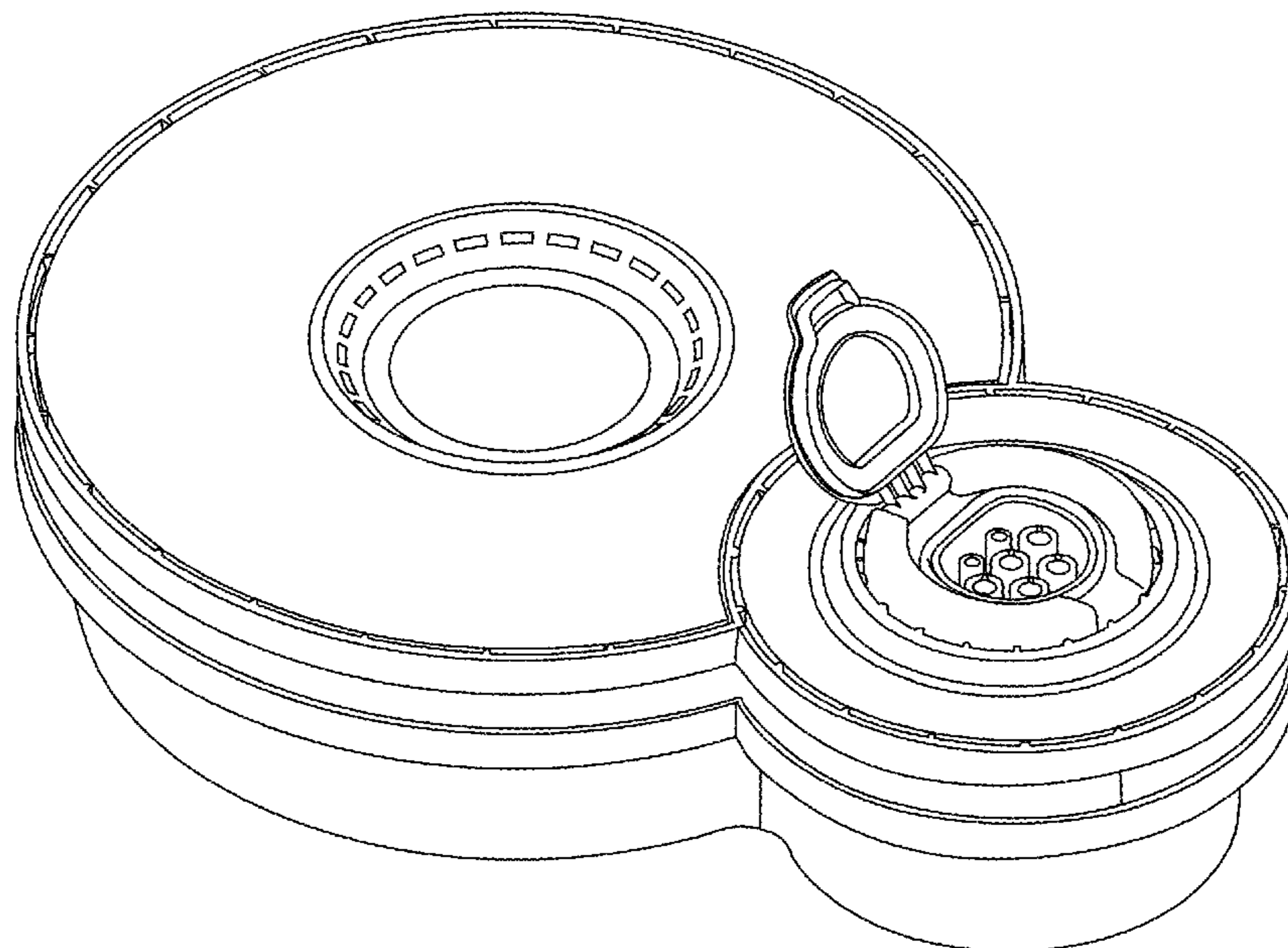
(57) **CLAIM**

The ornamental design for a wallbox and power outlet, as shown.

DESCRIPTION

1 is a top front perspective view of a wallbox and power outlet according to my invention;
FIG. 2 is a front elevation view of my design of **FIG. 1**;
FIG. 3 is a left side elevation view of my design of **FIG. 1**;
FIG. 4 is a top elevation view of my design of **FIG. 1**; and,
FIG. 5 is a bottom elevation view of my design of **FIG. 1**.

1 Claim, 5 Drawing Sheets



(56)

References Cited

U.S. PATENT DOCUMENTS

D837,148 S * 1/2019 Brown D13/103
D853,960 S * 7/2019 Lei D13/108
D864,108 S 10/2019 Ito
D870,660 S * 12/2019 De Lauri D13/108
D872,687 S 1/2020 Mortun
D873,768 S 1/2020 Minkyo
D876,341 S 2/2020 Tomasson et al.
D884,613 S 5/2020 Minkyo
D891,366 S 7/2020 Xie et al.
D893,420 S * 8/2020 Xiao D13/108
D893,421 S * 8/2020 Xiao D13/108
D893,441 S * 8/2020 Rao D13/199
D895,541 S * 9/2020 Zhang D13/108
D897,282 S * 9/2020 Ye D13/107
D897,285 S * 9/2020 Walsh D13/108
D904,981 S * 12/2020 Worthy D13/110
D936,006 S * 11/2021 Siciliano D13/110
D941,754 S * 1/2022 Schmidt D13/107
D943,525 S * 2/2022 Deshaies D13/108
2013/0020990 A1 1/2013 DeBoer et al.
2017/0341523 A1 11/2017 Hirashita et al.
2018/0126859 A1* 5/2018 Voigts H02J 7/00
2021/0013728 A1* 1/2021 Nishiyama H02J 7/0045

* cited by examiner

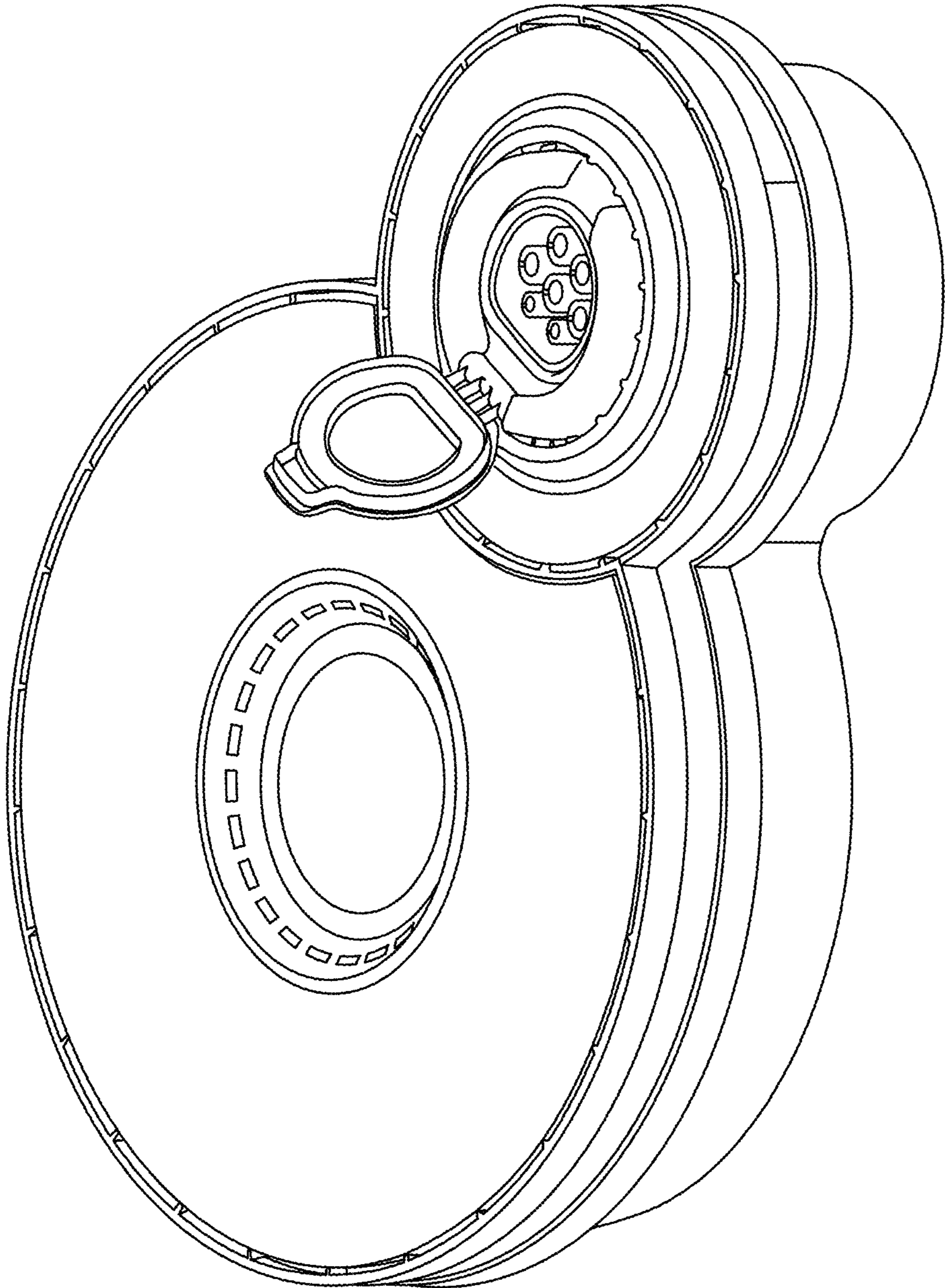


FIG. 1

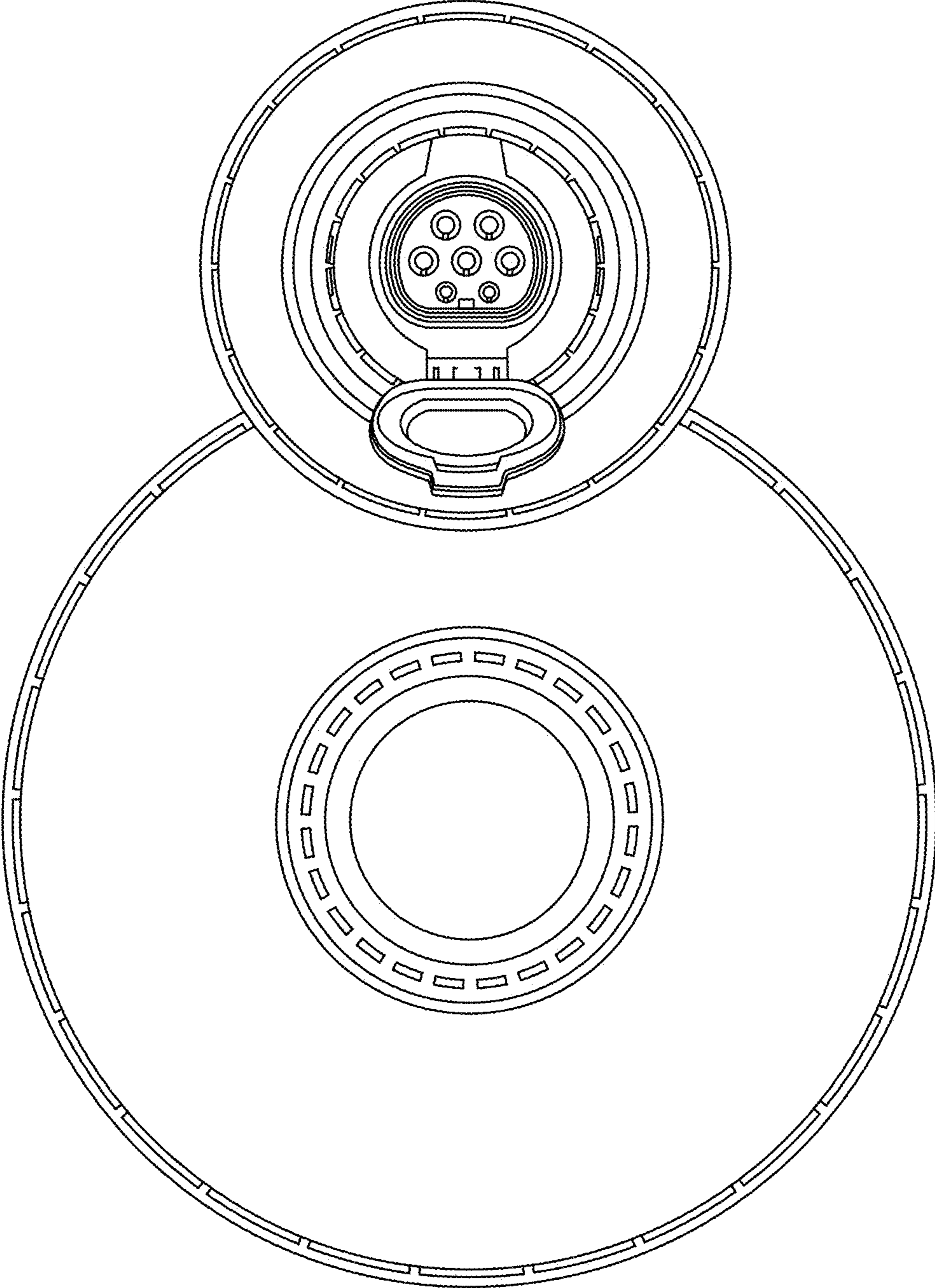


FIG. 2

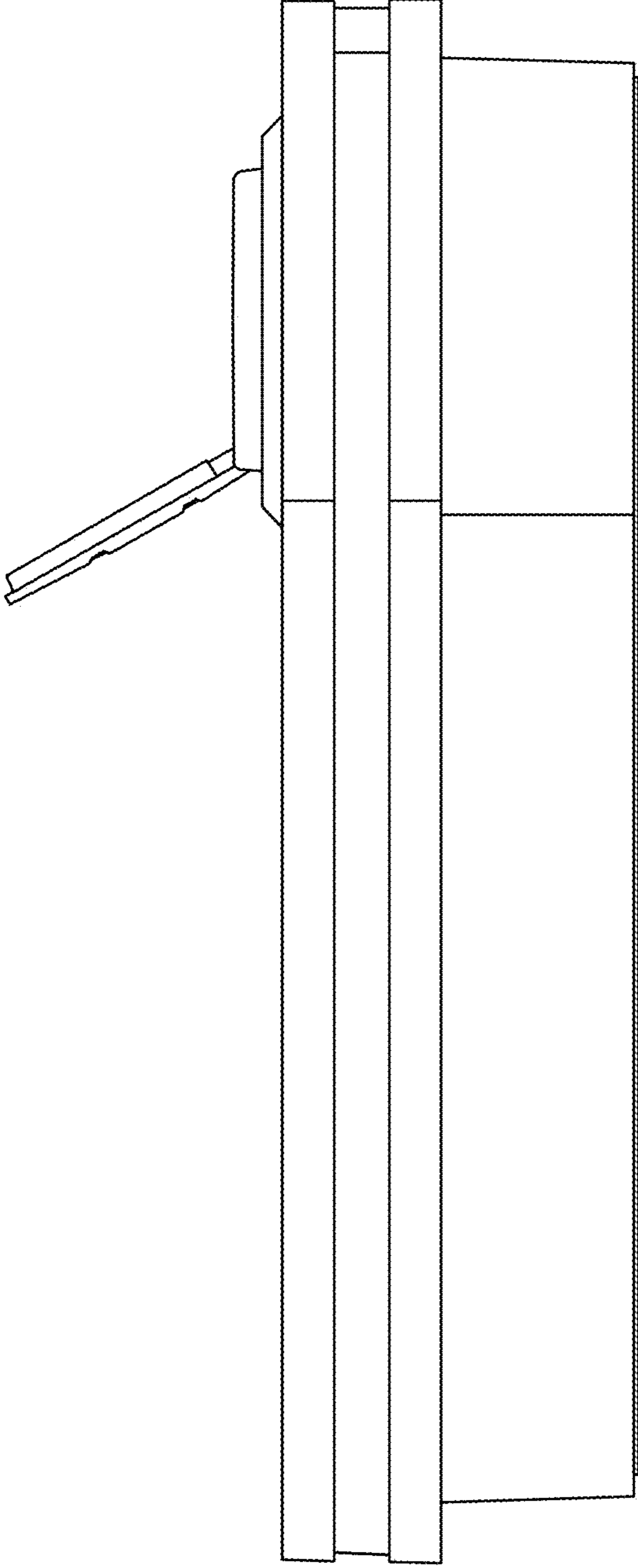


FIG. 3

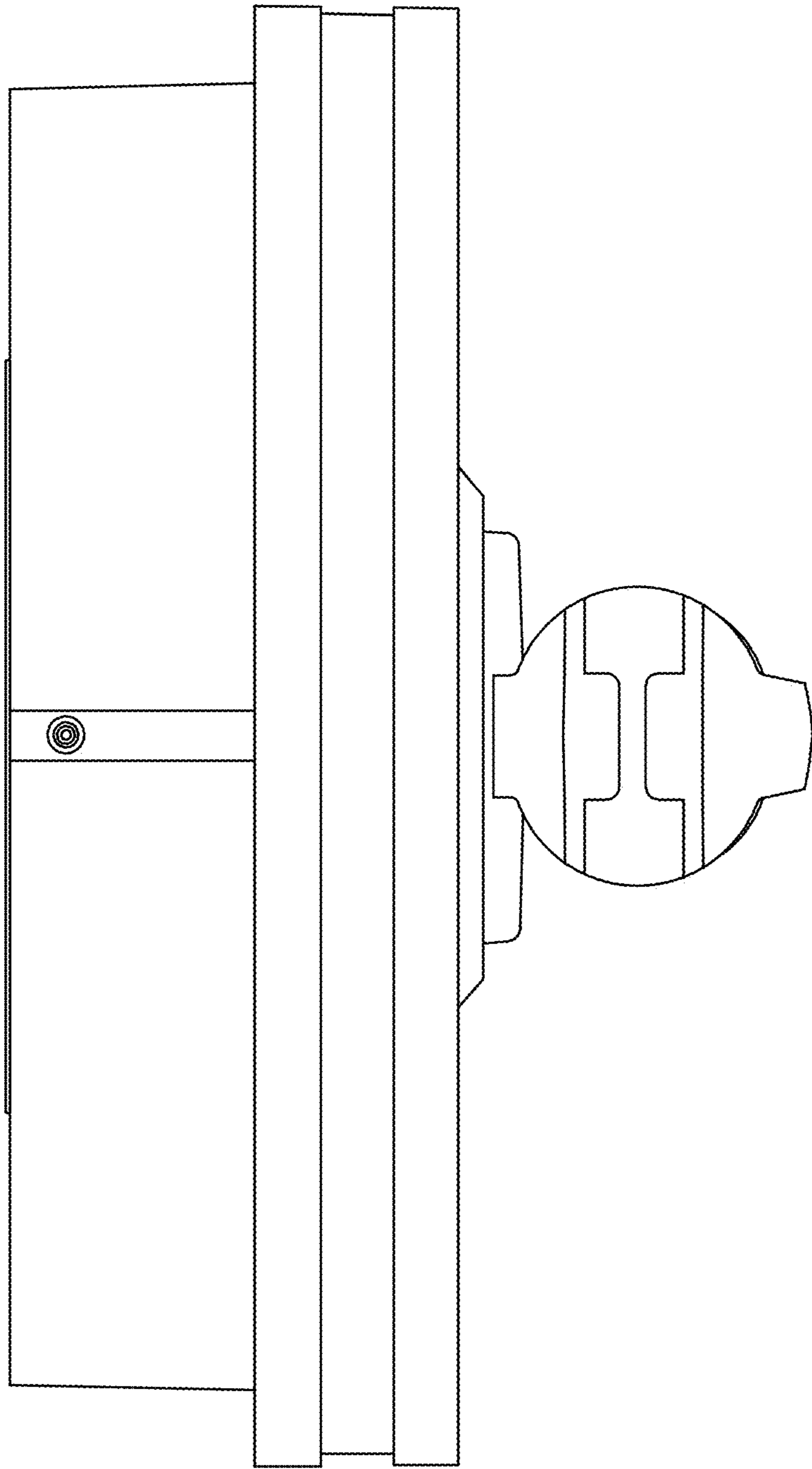


FIG. 4

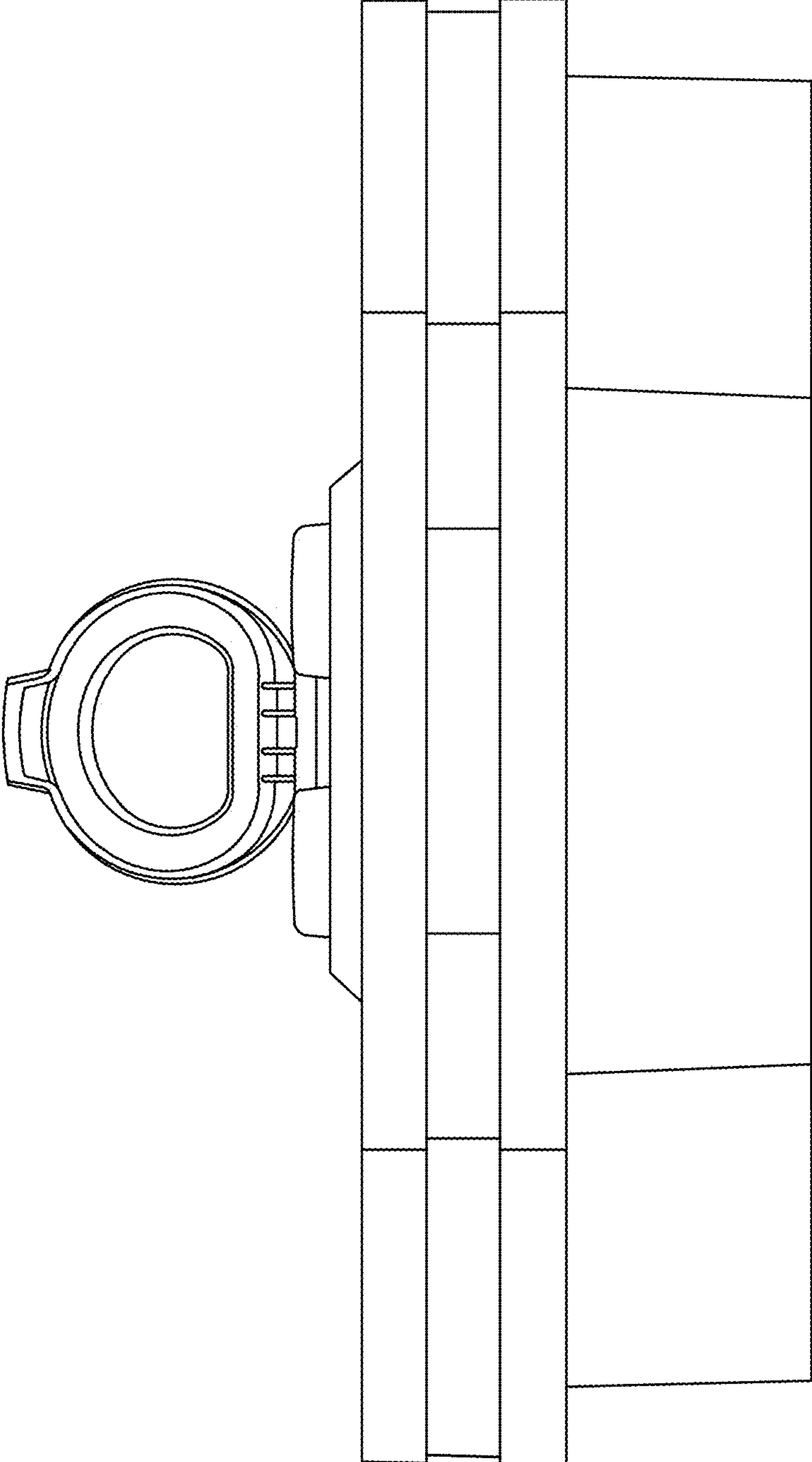


FIG. 5