



US00D986816S

(12) **United States Design Patent**  
**Choi et al.**

(10) **Patent No.:** **US D986,816 S**  
(45) **Date of Patent:** **\*\* May 23, 2023**

(54) **BATTERY PACK**

(71) Applicant: **LG Chem, Ltd.**, Seoul (KR)

(72) Inventors: **Yeo-Joo Choi**, Daejeon (KR);  
**Bum-Hyun Lee**, Daejeon (KR); **Jae-Ki Lee**, Daejeon (KR); **Jae-Bum Lim**, Daejeon (KR); **Gyeong-Su Jeong**, Daejeon (KR); **Seok-Hyun Hong**, Daejeon (KR)

(73) Assignee: **LG Energy Solution, Ltd.**

(\*\*) Term: **15 Years**

(21) Appl. No.: **29/775,770**

(22) Filed: **Mar. 25, 2021**

(30) **Foreign Application Priority Data**

Jan. 4, 2021 (KR) ..... 30-2021-0000213

(51) **LOC (14) Cl.** ..... **13-02**

(52) **U.S. Cl.**  
USPC ..... **D13/103**

(58) **Field of Classification Search**  
USPC ..... D3/269, 273; D14/203.3–203.8, 434,  
D14/450; D13/103, 107, 118, 120, 184  
CPC . H01G 2/00; H01G 9/00; H01M 4/00; H01M  
4/02  
See application file for complete search history.

(56) **References Cited**

**U.S. PATENT DOCUMENTS**

D346,584 S \* 5/1994 Taniguchi ..... D13/103  
D383,434 S \* 9/1997 Hooke ..... D13/103  
D404,356 S \* 1/1999 Higgins ..... D13/103  
D412,153 S \* 7/1999 Chen ..... D13/103  
D585,019 S \* 1/2009 Moser ..... D13/103  
D712,351 S \* 9/2014 Zeng ..... D13/103  
D760,646 S \* 7/2016 Walker ..... D13/103

D762,165 S \* 7/2016 Rowe ..... D13/103  
D771,561 S \* 11/2016 Walker ..... D13/103  
D772,809 S \* 11/2016 Walker ..... D13/103  
D784,920 S \* 4/2017 Walker ..... D13/103  
D791,695 S \* 7/2017 Bergman ..... D13/103

(Continued)

**FOREIGN PATENT DOCUMENTS**

IN 367614-001 \* 12/2022  
JP D1669515 10/2020

**OTHER PUBLICATIONS**

Shop Solarkits, Off-Grid Solar kit—6,000W 120/240 output, published Apr. 3, 2022 [retrieved Dec. 27, 2022]. Retrieved from the internet<<https://shopsolarkits.com/products/complete-off-grid-solar-kit-1>> (Year: 2022).\*

(Continued)

*Primary Examiner* — Joseph Kukella  
*Assistant Examiner* — Lavon M. Amerson  
(74) *Attorney, Agent, or Firm* — Lerner David LLP

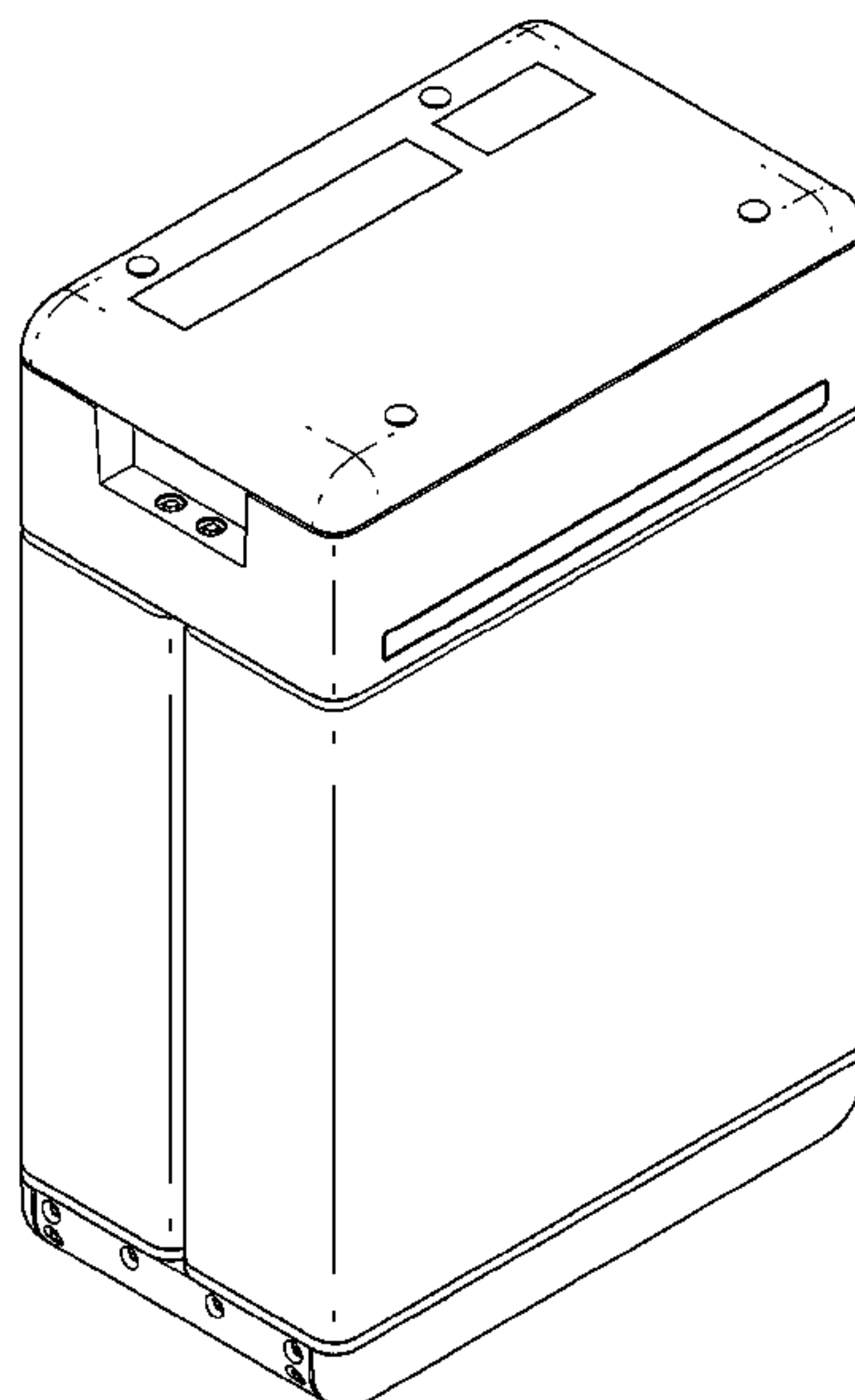
(57) **CLAIM**

The ornamental design for a battery pack, as shown and described.

**DESCRIPTION**

FIG. 1 is a front perspective view of a battery pack according to our design;  
FIG. 2 is a front view thereof;  
FIG. 3 is a rear view thereof;  
FIG. 4 is a left side view thereof;  
FIG. 5 is a right side view thereof;  
FIG. 6 is a top view thereof; and,  
FIG. 7 is a bottom view thereof.  
The battery pack of this design is mainly used for charging various electronic devices or supplying a power thereto.

**1 Claim, 6 Drawing Sheets**



(56)

**References Cited**

U.S. PATENT DOCUMENTS

2012/0301747 A1\* 11/2012 Han ..... H01M 50/256  
429/7

OTHER PUBLICATIONS

Rei Co op Shop, Goal Zero Yeti 6000X Portable Power Station, published Jan. 6, 2022 [retrieved Dec. 27, 2022]. Retrieved from the internet<<https://www.rei.com/product/189524/goal-zero-yeti-6000x-portable-power-station>> (Year: 2022).\*

Slash Gear, “LG’s home battery company just revealed its new Tesla Powerwall rivals” (Dec. 10, 2020) <<https://www.slashgear.com/lg-energy-solution-resu-prime-flex-home-battery-system-tesla-powerwall-alternative-10650638/>> 9 pgs.

Choi, et al., “Battery Pack,” U.S. Appl. No. 29/775,757, filed Mar. 25, 2021.

\* cited by examiner

FIG. 1

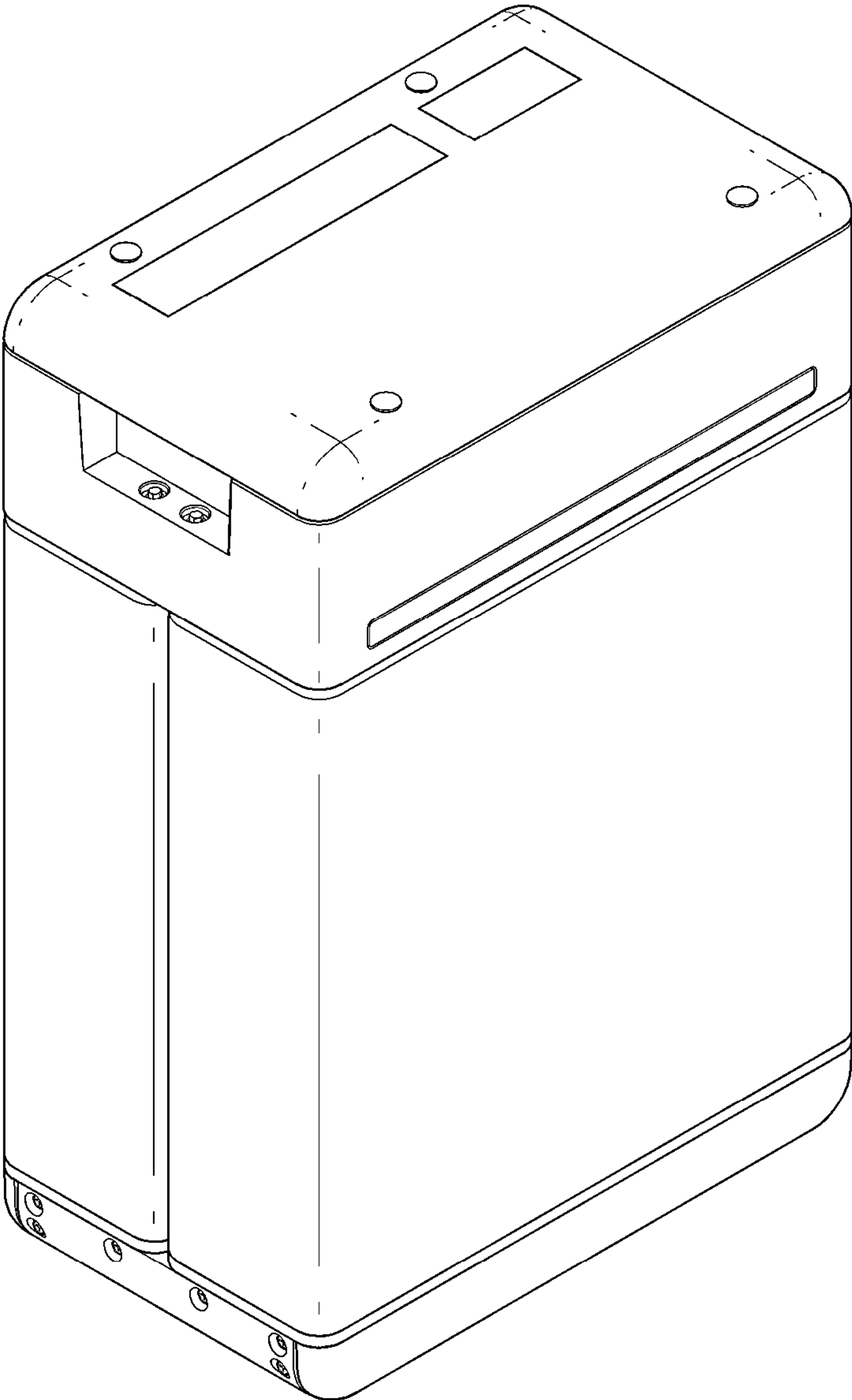


FIG. 2

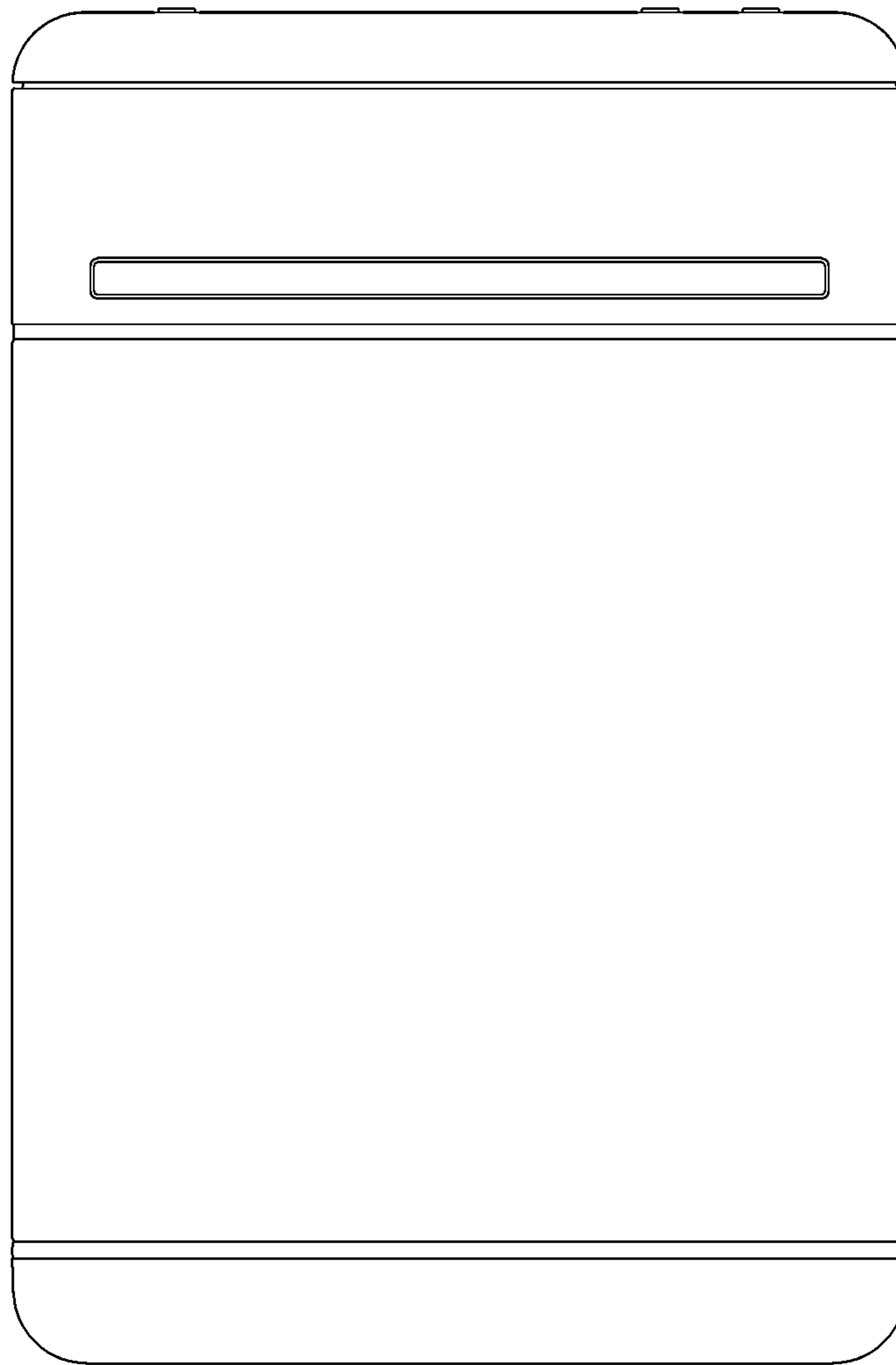


FIG. 3

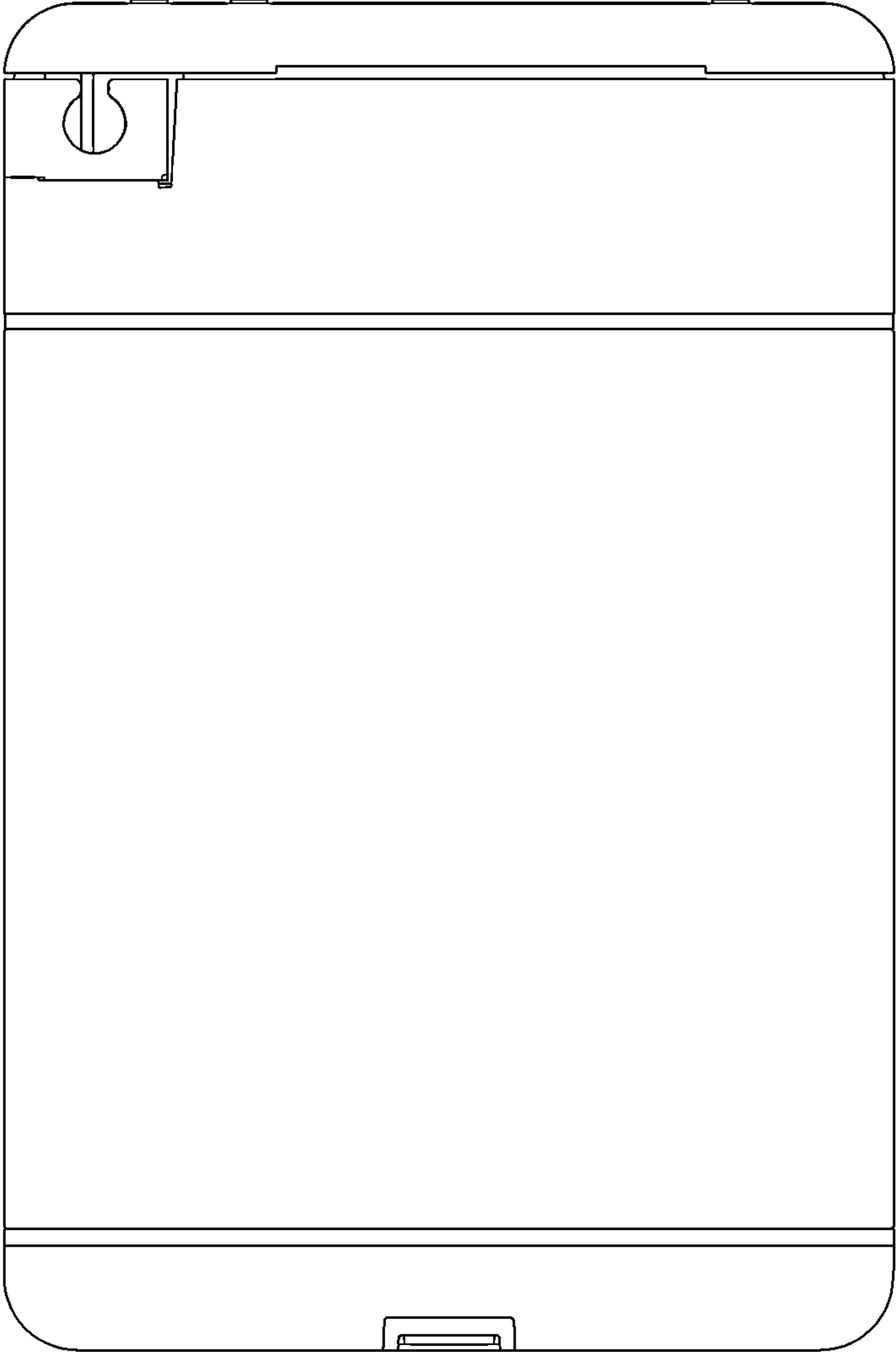


FIG. 4

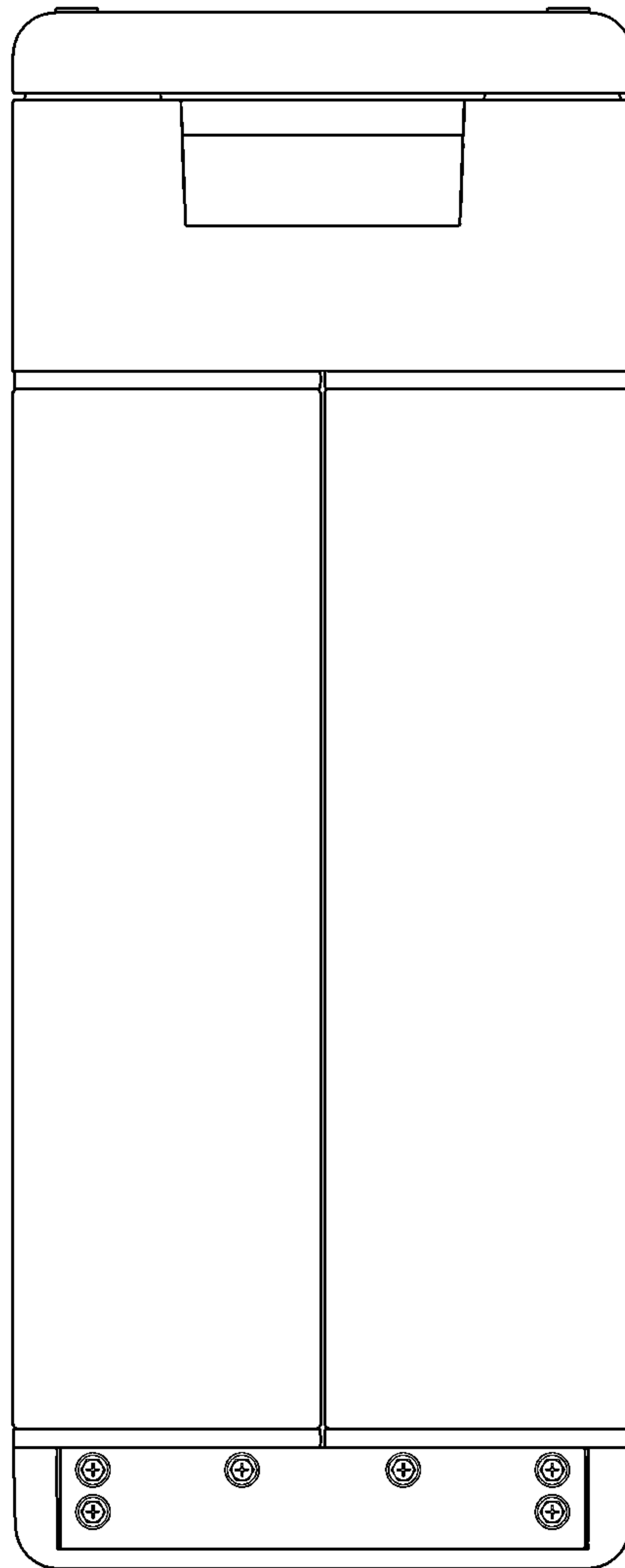


FIG. 5

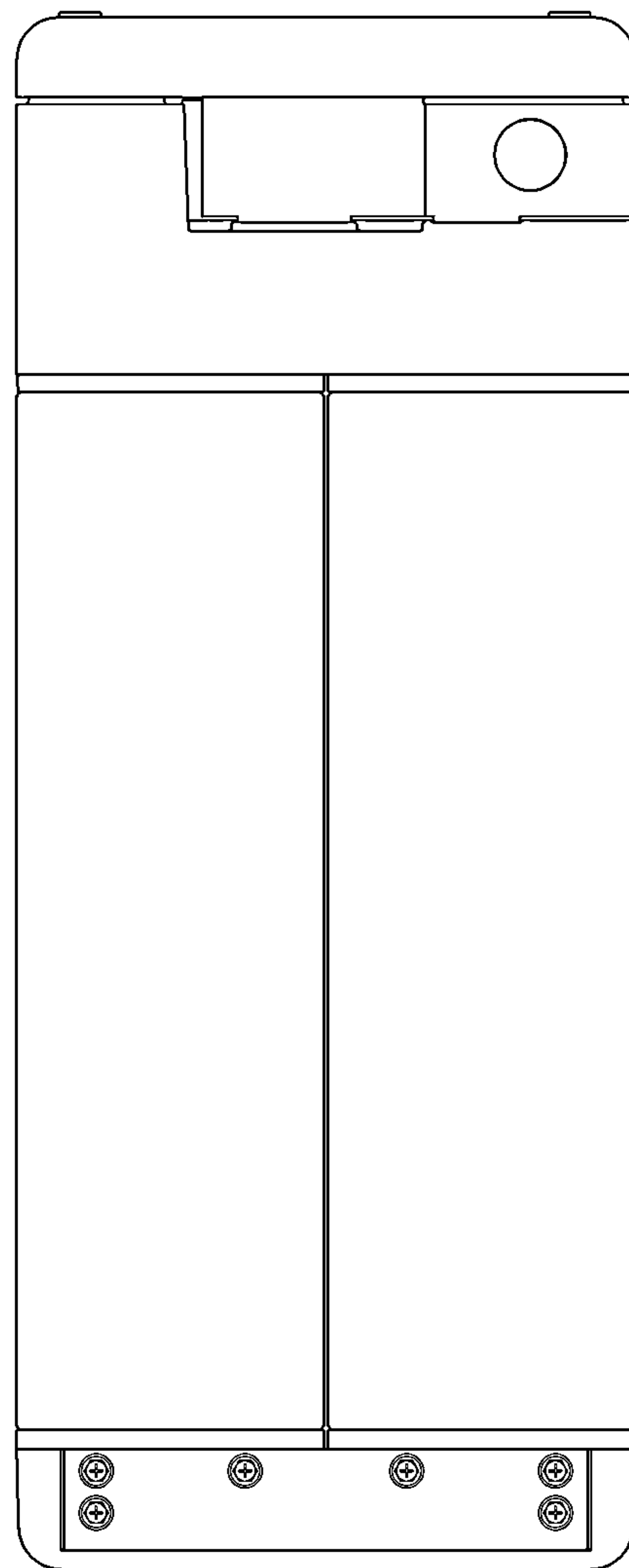


FIG. 6

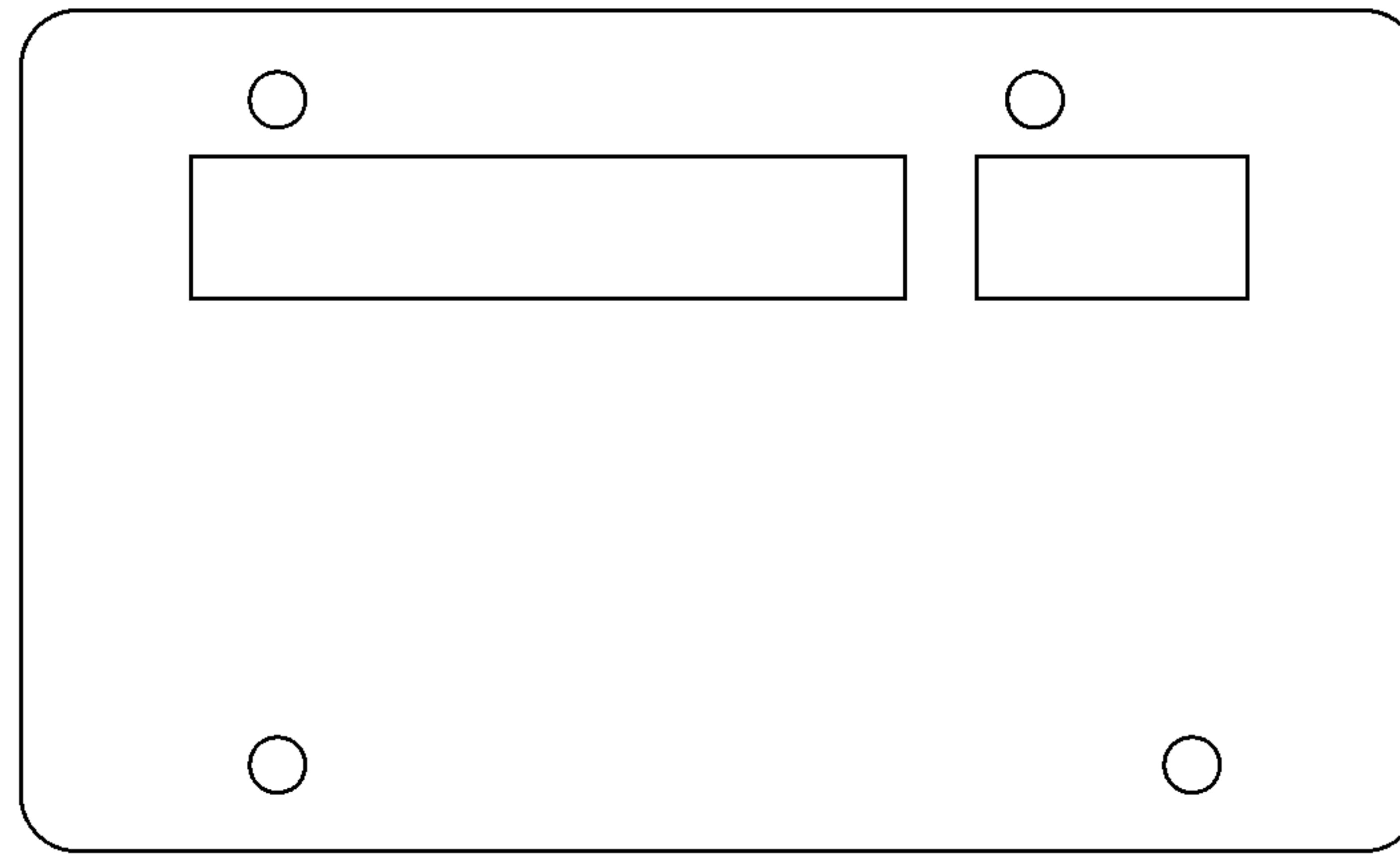


FIG. 7

