



US00D986815S

(12) **United States Design Patent** (10) **Patent No.:** **US D986,815 S**  
**Ma** (45) **Date of Patent:** **\*\* May 23, 2023**

(54) **RECHARGEABLE BATTERY**

(71) Applicant: **Qian Ma**, Henan (CN)

(72) Inventor: **Qian Ma**, Henan (CN)

(\*\*) Term: **15 Years**

(21) Appl. No.: **29/772,557**

(22) Filed: **Mar. 2, 2021**

(51) **LOC (14) Cl.** ..... **13-02**

(52) **U.S. Cl.**  
USPC ..... **D13/103**

(58) **Field of Classification Search**  
USPC ..... D13/102, 103, 104, 105, 106, 110, 118,  
D13/119, 184, 199  
CPC .. H01M 10/05; H01M 10/052; H01M 10/054;  
H01M 10/425; H01M 10/48; H01M  
10/486; H01M 50/249; H01M 2220/30;  
H01M 2250/30

See application file for complete search history.

(56) **References Cited**

**U.S. PATENT DOCUMENTS**

D510,722 S *	10/2005	Kosiba .....	D13/103
D639,730 S *	6/2011	Kawase .....	D13/103
D938,903 S *	12/2021	Miyake .....	D13/103
D941,752 S *	1/2022	Luo .....	D13/103
D945,959 S *	3/2022	Okuda .....	D13/103
D946,504 S *	3/2022	Qiu .....	D13/103
D950,483 S *	5/2022	Yrad, Jr. ....	D13/103
D951,860 S *	5/2022	Forsberg .....	D13/103
D951,862 S *	5/2022	Xia .....	D13/103
D952,552 S *	5/2022	Forsberg .....	D13/103
D952,554 S *	5/2022	Xu .....	D13/103
D953,253 S *	5/2022	Cestonaro .....	D13/103
D953,258 S *	5/2022	Ye .....	D13/103

**OTHER PUBLICATIONS**

Rechargeable Batteries. (Design—© Questel) orbit.com. [Online PDF compilation of references] 56 pgs. Print Dates Range Mar. 23, 2021-Oct. 17, 2017 [Retrieved Jun. 10, 2022].\*

Ego 56 Volt 2.5Ah Battery With Fuel Gauge. Before Apr. 11, 2019. Walmart. <https://www.walmart.com/ip/Ego-56-Volt-2-5Ah-Battery-With-Fuel-Gauge/952532685>.\*

PWRCore 40V Cordless Outdoor Power Tool Lineup. Mar. 19, 2020. Tool Guy D. <https://toolguyd.com/skil-pwrcore-40v-cordless-outdoor-power-tool-launch-032020/>.\*

Lithium ion battery for kobalt 40 volt outdoor cordless power tools. Before Sep. 20, 2021. Walmart. <https://www.walmart.com/ip/40v-2-0-ah-lithium-ion-battery-for-kobalt-40-volt-outdoor-cordless-power-tools-and-equipment-blower-trimmer-hedge-trimmer-etc/120928559>.\*

\* cited by examiner

*Primary Examiner* — George D. Kirschbaum

*Assistant Examiner* — Suzanne E Tisdell

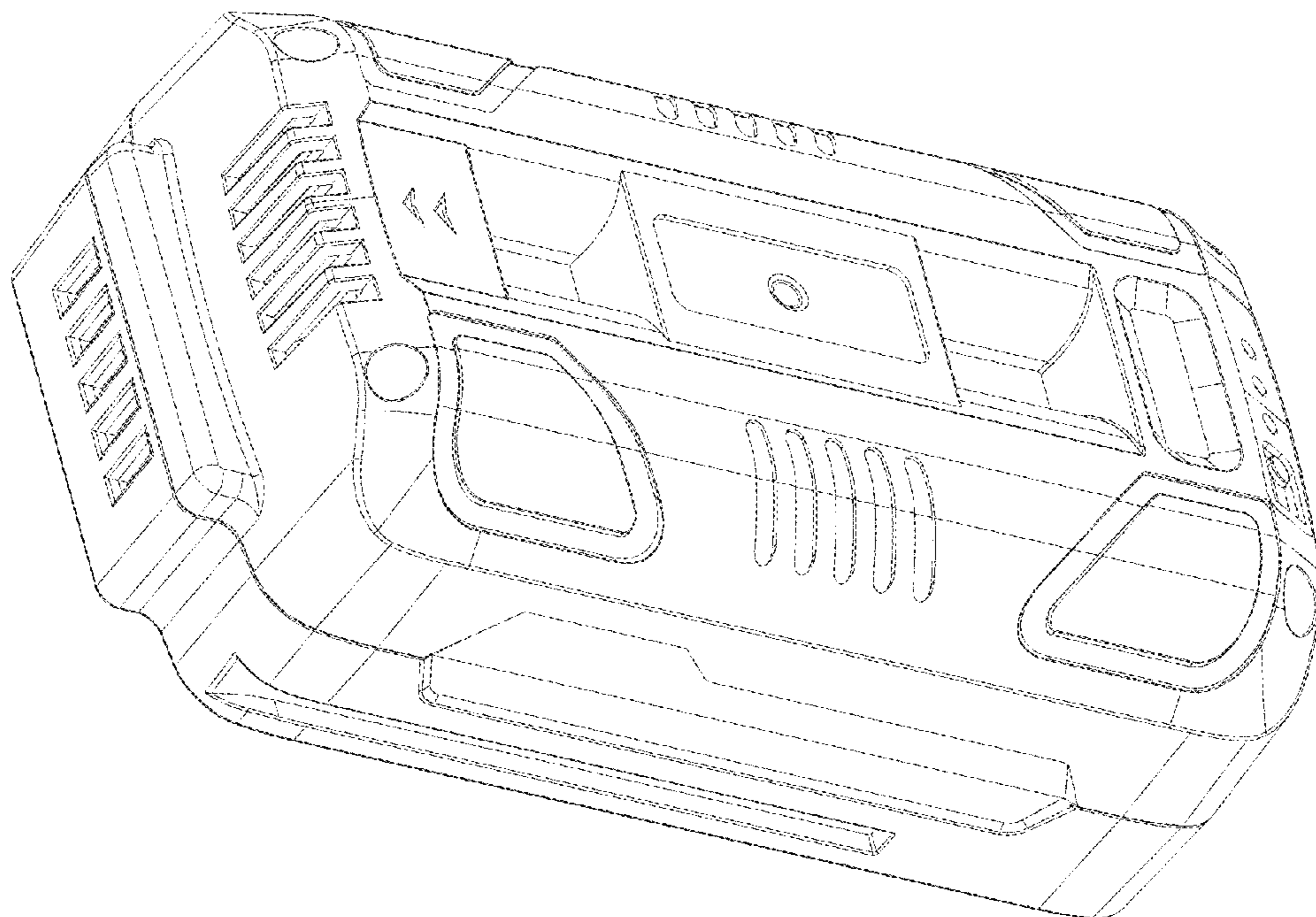
(57) **CLAIM**

The ornamental design for a rechargeable battery, as shown.

**DESCRIPTION**

FIG. 1 is a front elevational view of a rechargeable battery showing my new design;  
FIG. 2 is a rear elevational view thereof;  
FIG. 3 is a left side view thereof;  
FIG. 4 is a right side view thereof;  
FIG. 5 is a top plan view thereof;  
FIG. 6 is a bottom plan view thereof;  
FIG. 7 is a perspective view thereof; and,  
FIG. 8 is another perspective view thereof.

**1 Claim, 8 Drawing Sheets**



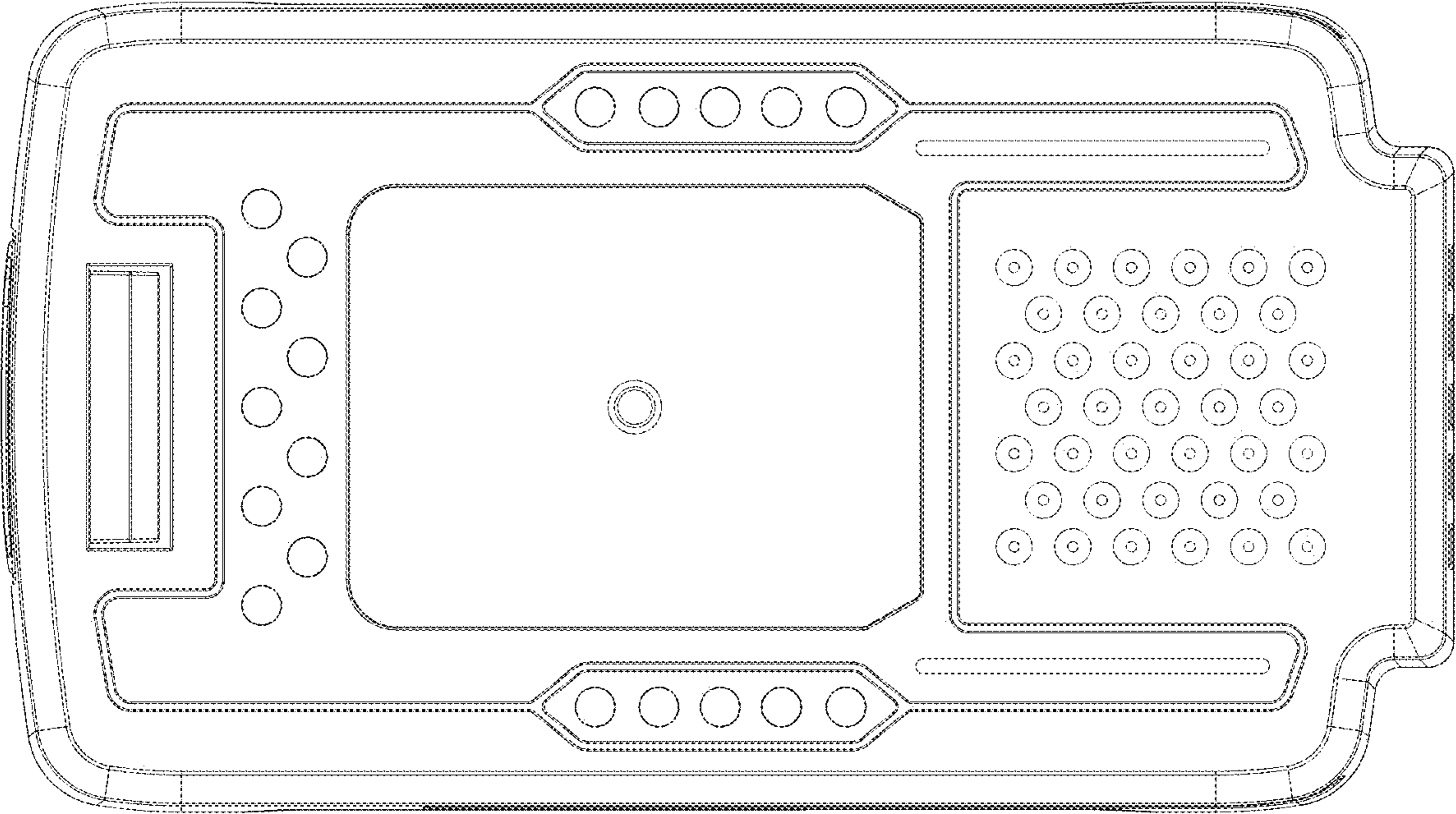


FIG. 1

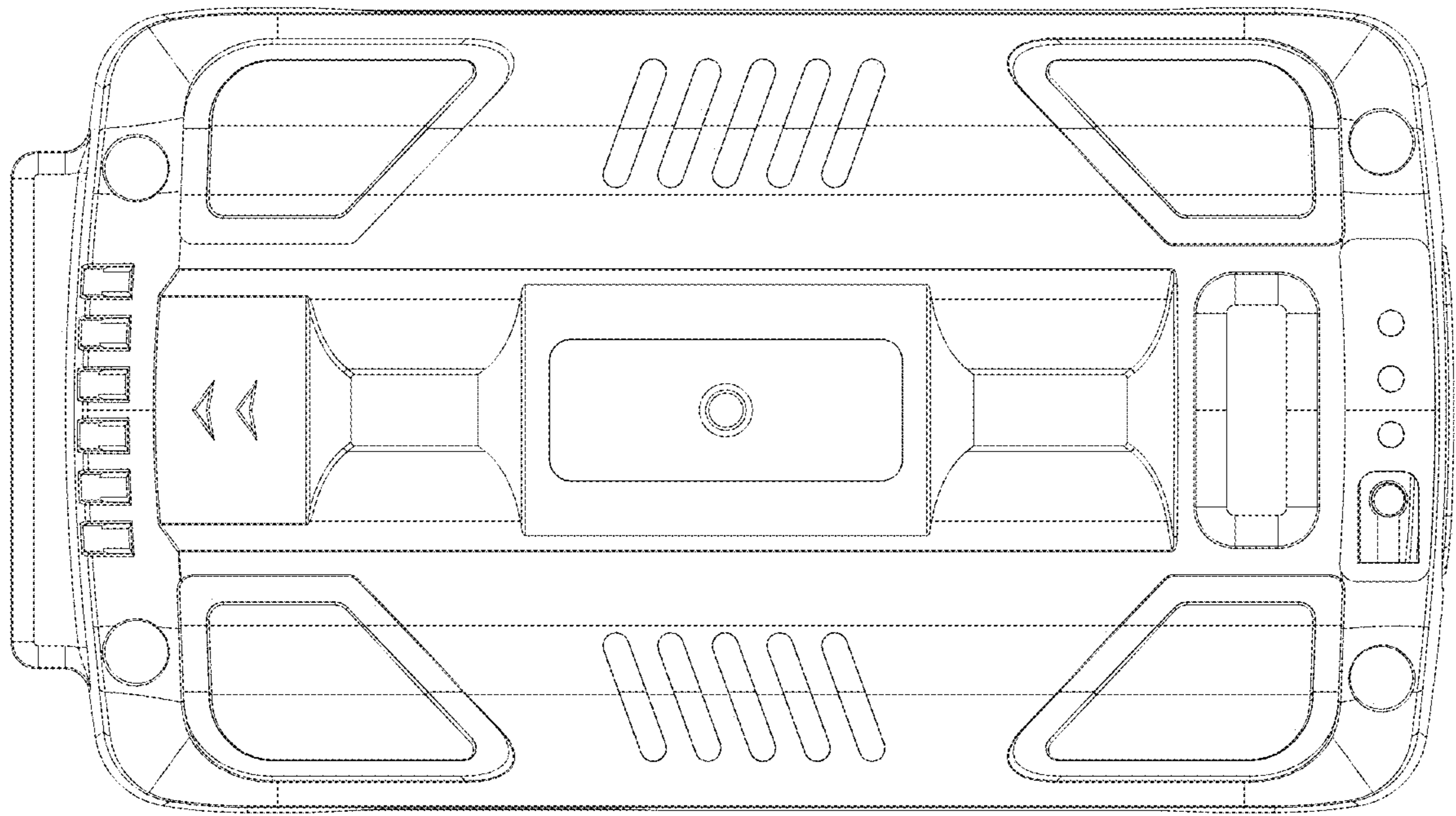


FIG. 2



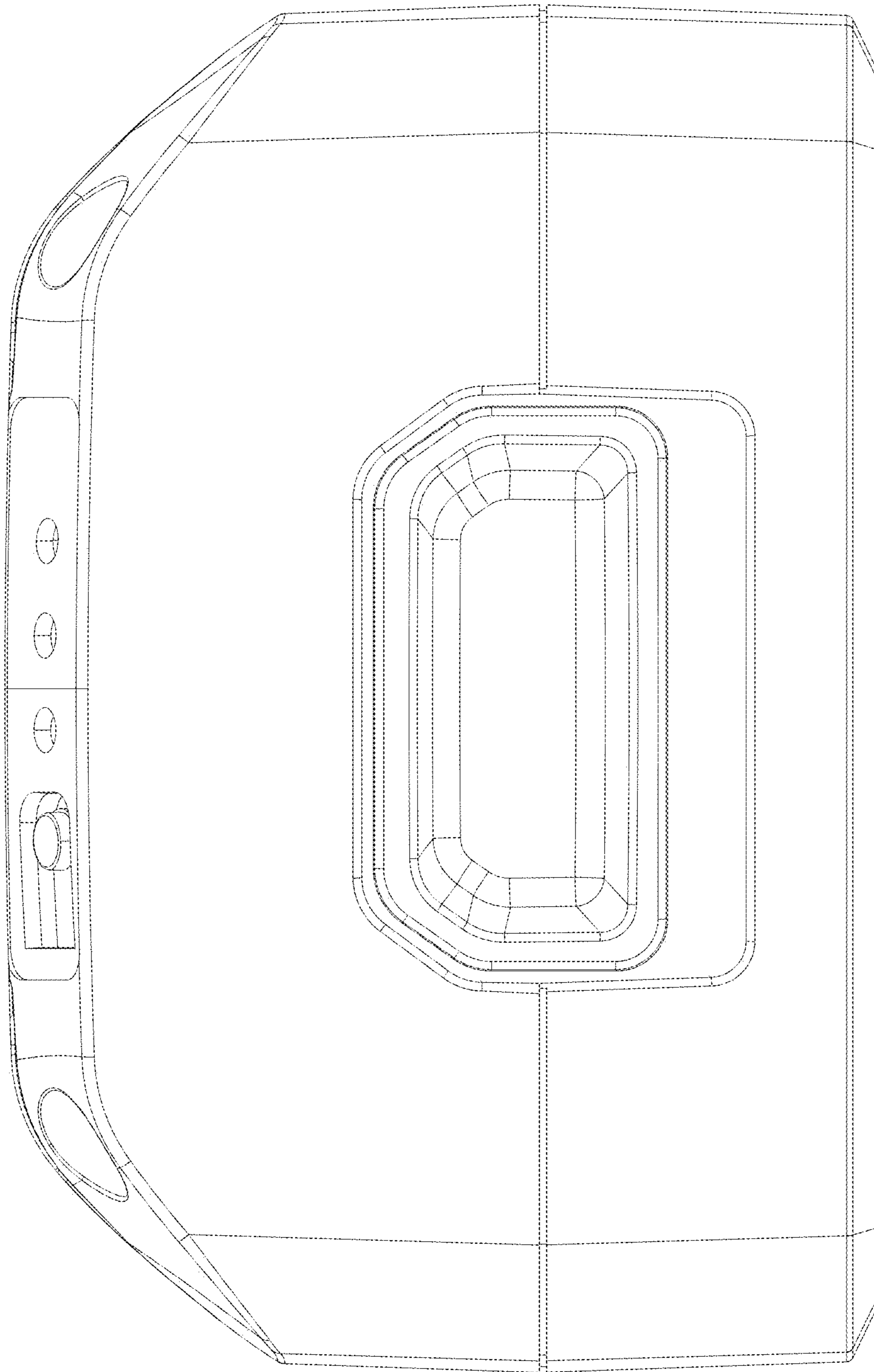


FIG. 3

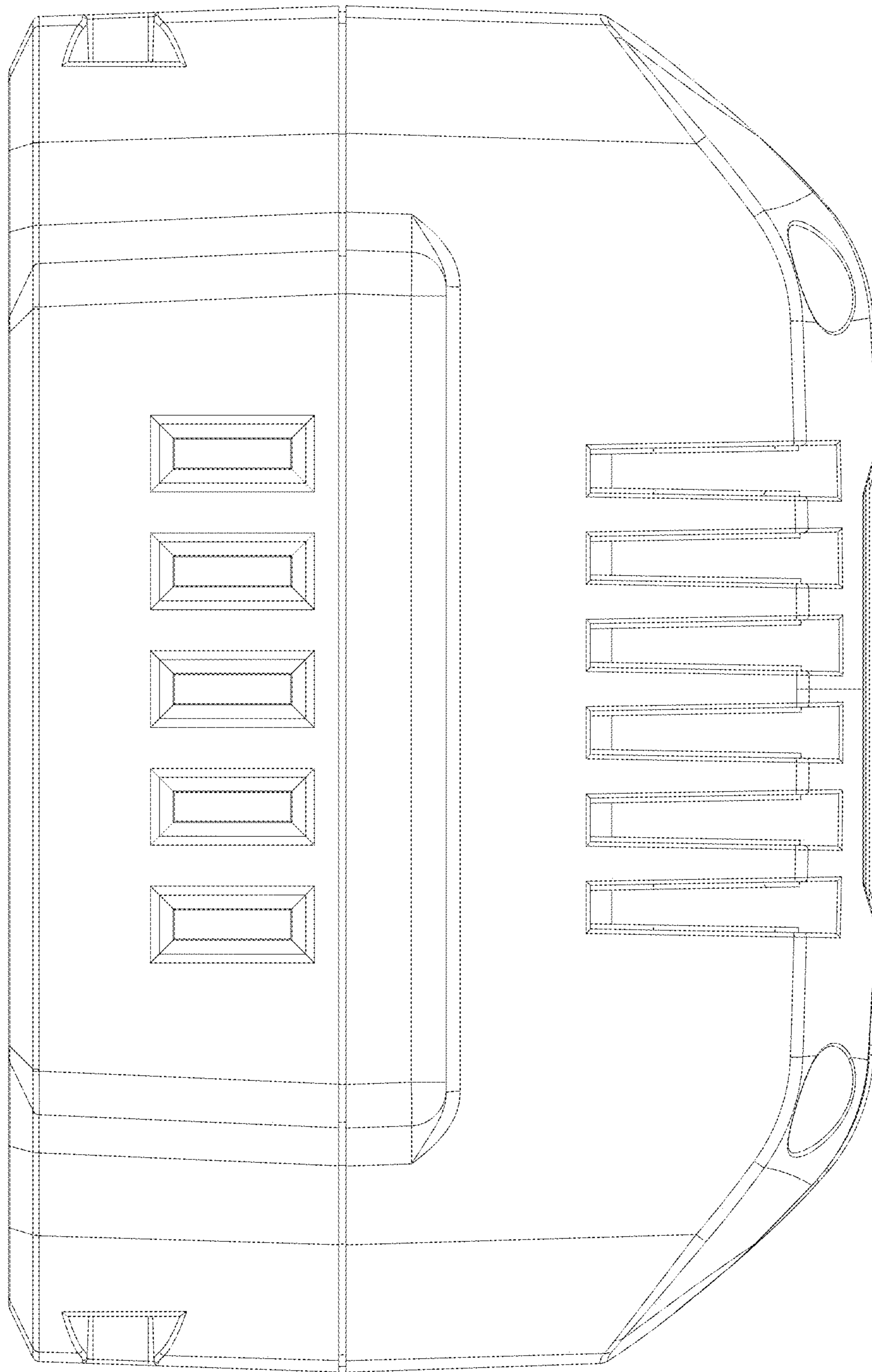


FIG. 4

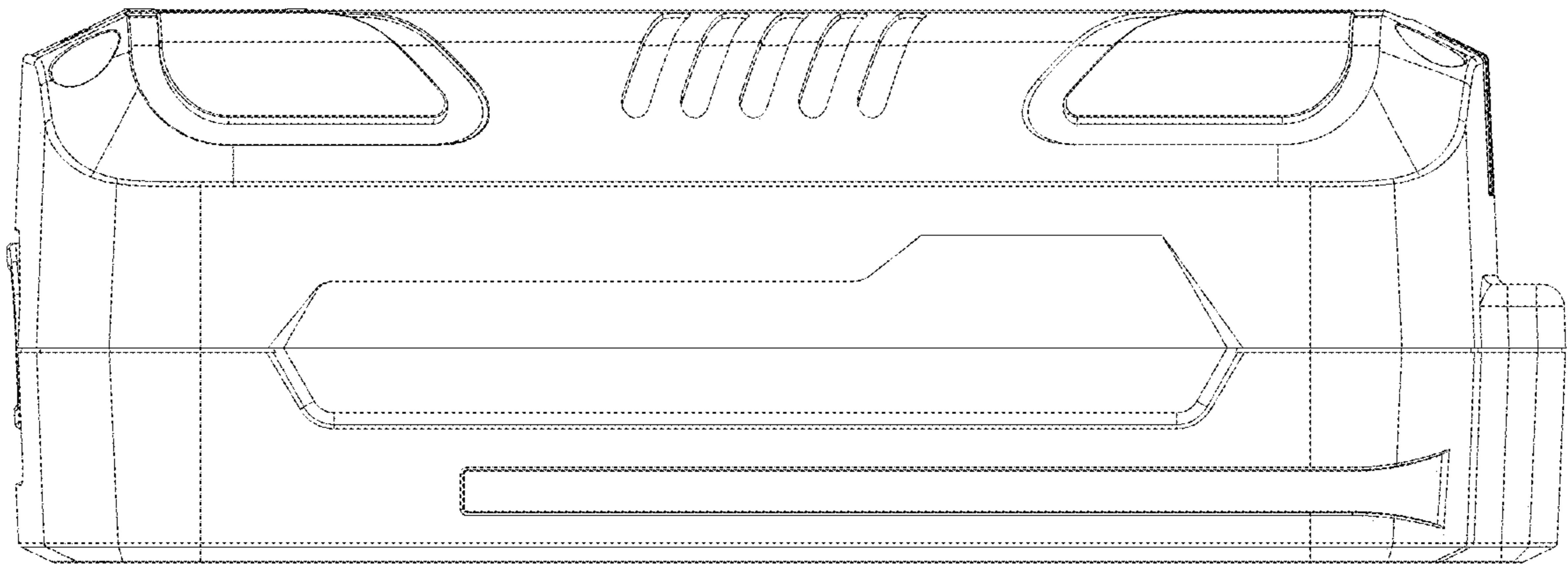


FIG. 5

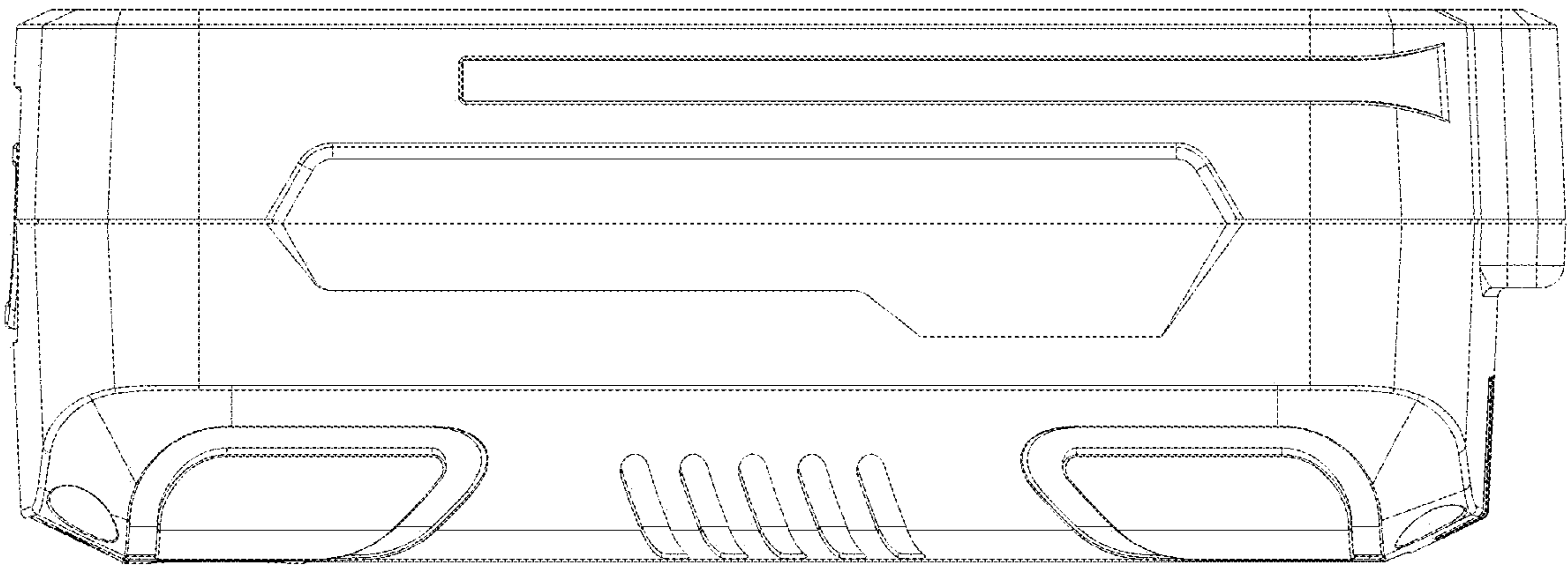


FIG. 6

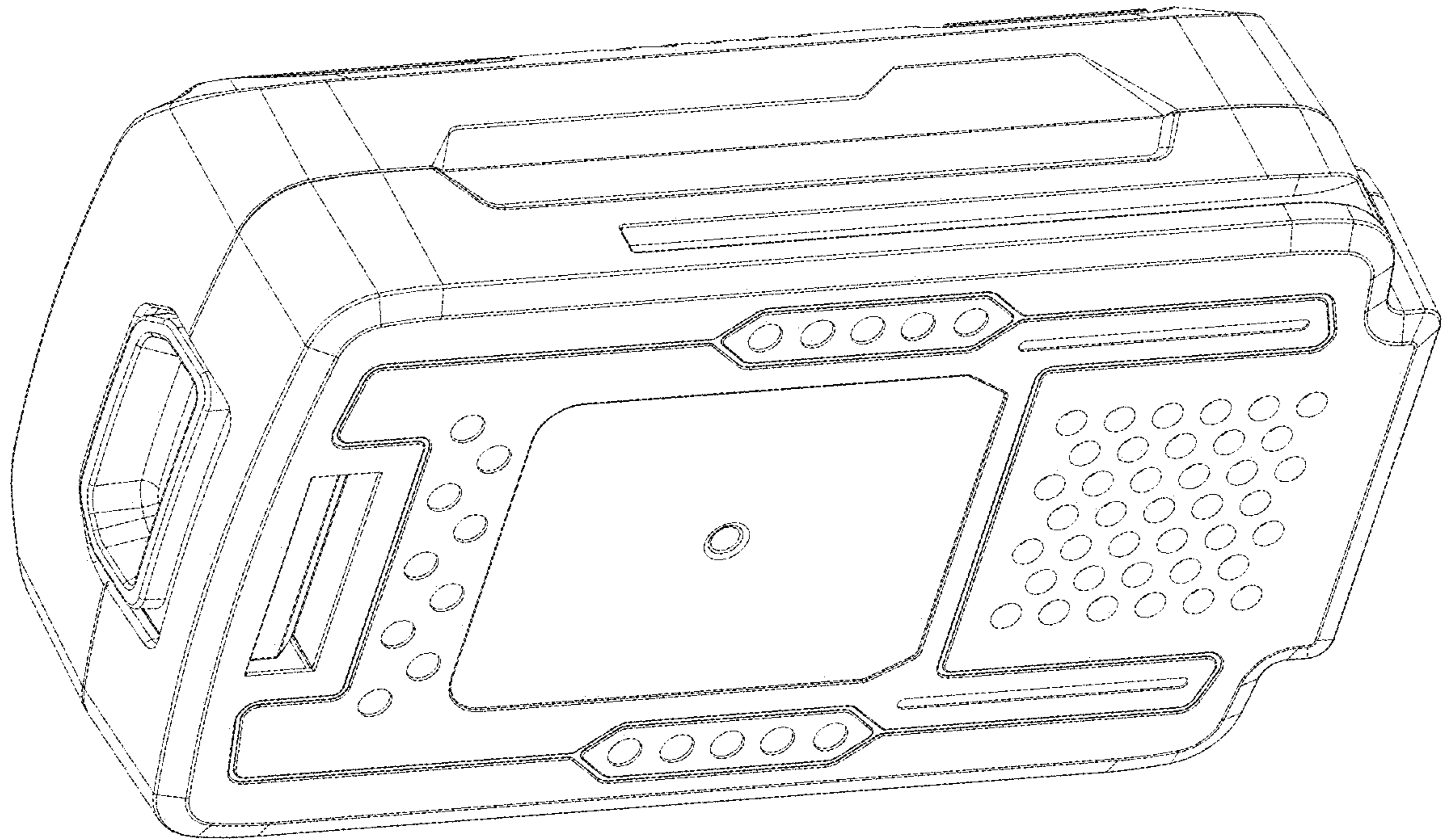


FIG. 7



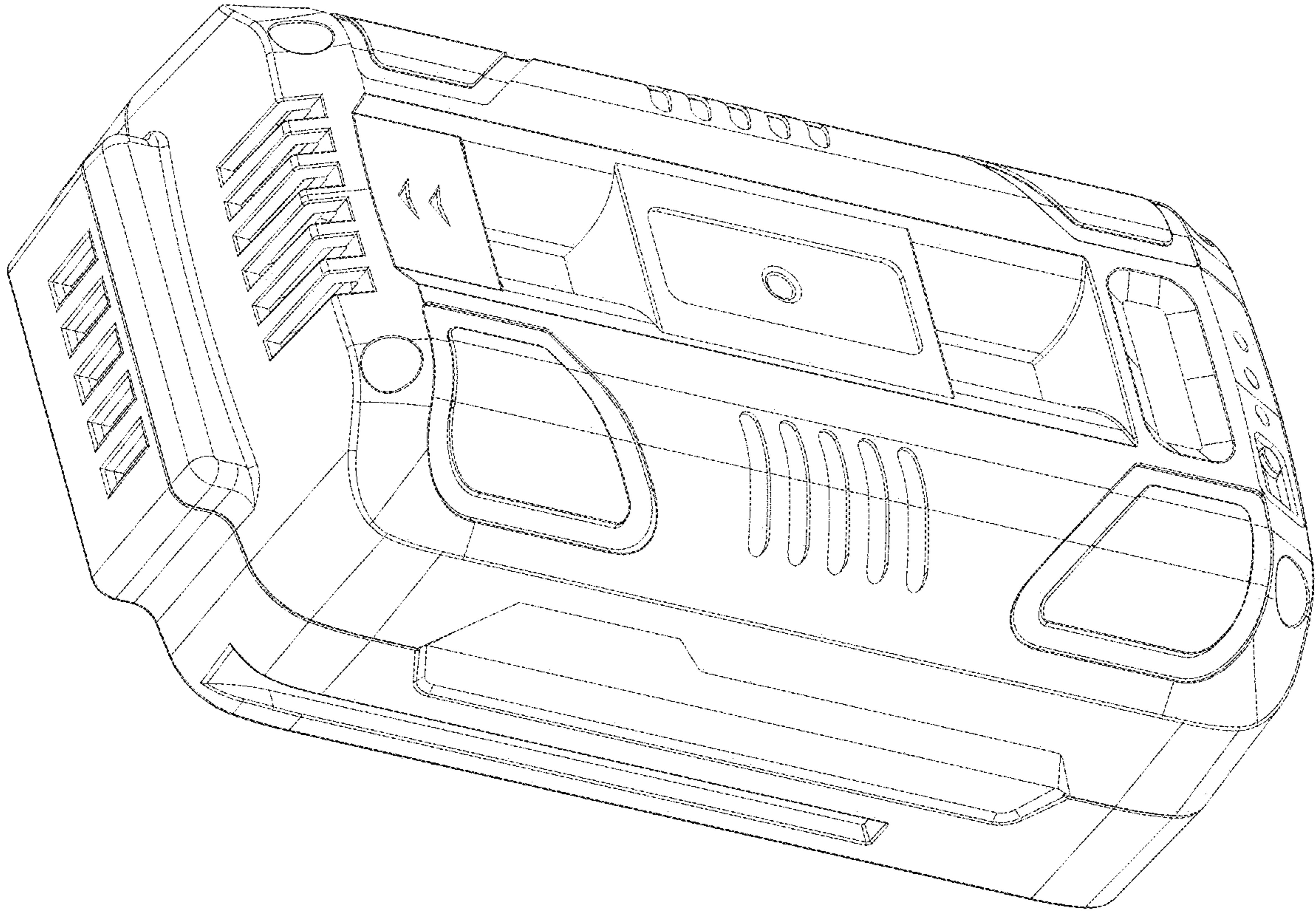


FIG. 8