



US00D986804S

(12) **United States Design Patent**
Hishigae

(10) **Patent No.:** **US D986,804 S**

(45) **Date of Patent:** **** May 23, 2023**

(54) **TIRE TREAD**

FOREIGN PATENT DOCUMENTS

(71) Applicant: **BRIDGESTONE CORPORATION**,
Tokyo (JP)

DE 4020447 9/2002
JP 692032 S 11/1986

(Continued)

(72) Inventor: **Akira Hishigae**, Tokyo (JP)

OTHER PUBLICATIONS

(73) Assignee: **BRIDGESTONE CORPORATION**,
Tokyo (JP)

HJ1600868100, Website URL: http://www.bridgestone.co.jp/news/c_050112.html, (Bridgestone Corporation), Feb. 4, 2005, [database online], [retrieved on Jan. 18, 2005], Retrieved from the Known Design Database of the Japan Patent Office using Internet, URL: <https://www.j-platpat.inpit.go.jp/d0200>.

(**) Term: **15 Years**

(Continued)

(21) Appl. No.: **29/788,831**

(22) Filed: **Aug. 3, 2021**

Primary Examiner — John A Voytek

(74) *Attorney, Agent, or Firm* — Kenja IP Law PC

(30) **Foreign Application Priority Data**

(57) **CLAIM**

The ornamental design for a tire tread, as shown and described.

Feb. 10, 2021 (JP) 2021-002977 D

(51) **LOC (14) Cl.** **12-15**

DESCRIPTION

(52) **U.S. Cl.**

USPC **D12/544**

(58) **Field of Classification Search**

USPC D12/533-567, 604, 519-532

CPC Y10T 152/10027; B60C 1/0016; B60C

11/0306; B60C 11/0302; B60C 3/06;

B60C 9/17

See application file for complete search history.

FIG. 1 is a front perspective view of a tire tread showing my new design;
FIG. 2 is a front view thereof, the back view being identical;
FIG. 3 is a top plan view thereof, the bottom view being identical;
FIG. 4 is a right side view thereof;
FIG. 5 is a left side view thereof;
FIG. 6 is a fragmentary enlarged front view thereof;
FIG. 7 is a cross-section view taken along line 7-7 in FIG. 6; and,
FIG. 8 is a cross-section view taken along line 8-8 in FIG. 6.

(56) **References Cited**

U.S. PATENT DOCUMENTS

5,105,864 A * 4/1992 Watanabe B60C 11/00
D12/567

D440,913 S * 4/2001 McMannis D12/544

D464,613 S * 10/2002 Weaver D12/544

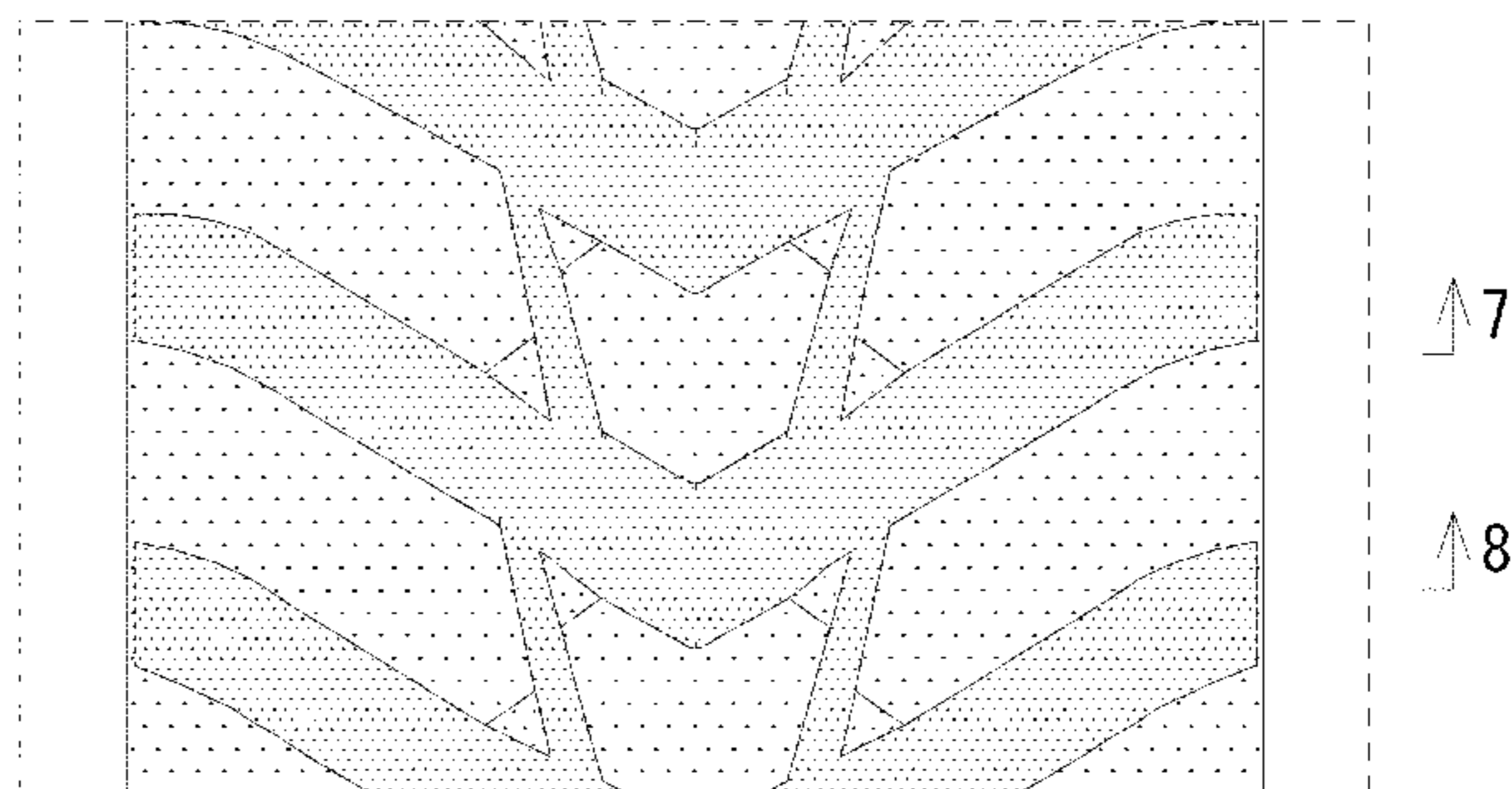
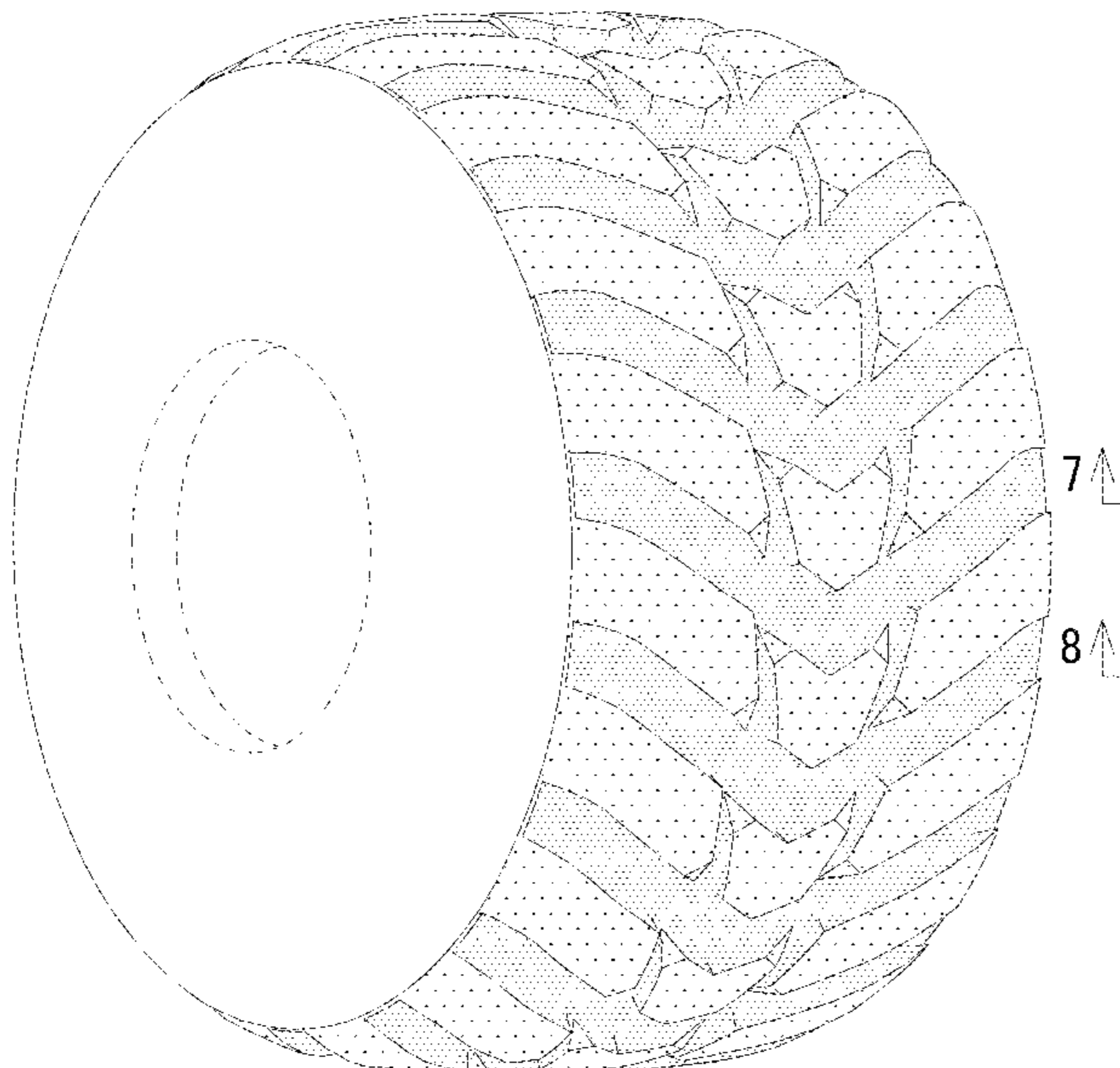
D549,157 S * 8/2007 Maus D12/544

D569,788 S 5/2008 Otsuji

(Continued)

Broken lines show environmental portions of a tire that are not being claimed, and form no part of the claimed design. The light stippled surface shading represents the surface of the tire tread, and the dark stippled surface shading represents the recessed portion of the tread grooves, having the depth as shown in FIGS. 7 and 8.

1 Claim, 8 Drawing Sheets



(56)

References Cited

U.S. PATENT DOCUMENTS

D574,317 S 8/2008 Otsuji
 D618,160 S * 6/2010 Jacobs D12/544
 D626,499 S * 11/2010 Fujita D12/544
 D639,724 S 6/2011 Otsuji
 9,096,099 B2 * 8/2015 Fujita B60C 11/033
 D786,779 S * 5/2017 Scheifele D12/533
 D816,590 S * 5/2018 Gandillet D12/536
 D859,294 S * 9/2019 Taylor D12/544
 D950,478 S * 5/2022 Carloni D12/534

FOREIGN PATENT DOCUMENTS

JP 882962 S 11/1993
 JP 1234449 S 3/2005
 JP 2006082734 A 3/2006
 JP 1321303 S 2/2008
 JP 1346125 S 12/2008
 JP 1360003 S 5/2009
 JP 1360405 S 5/2009
 JP 1495562 S 4/2014
 JP 1495563 S 4/2014
 JP 1662903 S 7/2020

JP 1662919 S 7/2020
 JP 1665439 S 8/2020
 WO DM/208607 11/2020

OTHER PUBLICATIONS

HJ1600868200, Website URL: http://www.bridgestone.co.jp/news/c_050112.html, (Bridgestone Corporation), Feb. 4, 2005, [database online], [retrieved on Jan. 18, 2005], Retrieved from the Known Design Database of the Japan Patent Office using Internet, URL: <https://www.j-platpat.inpit.go.jp/d0200>.
 HJ2000019400, Website URL: <http://www.yrc-pressroom.jp/html/20083617tr001.html>, (The Yokohama Rubber Co.,Ltd.), Apr. 19, 2010, [database online], [retrieved on Apr. 22, 2008], Retrieved from the Known Design Database of the Japan Patent Office using Internet, URL: <https://www.j-platpat.inpit.go.jp/d0200>.
 HJ2505926100, Website URL: http://www.srigroup.co.jp/newsrelease/2014/sri/2014_007.html, (Sumitomo Rubber Industries, Ltd.), Feb. 14, 2014, [database online], [retrieved on Jan. 28, 2014], Retrieved from the Known Design Database of the Japan Patent Office using Internet, URL: <https://www.j-platpat.inpit.go.jp/d0200>.

* cited by examiner

FIG. 1

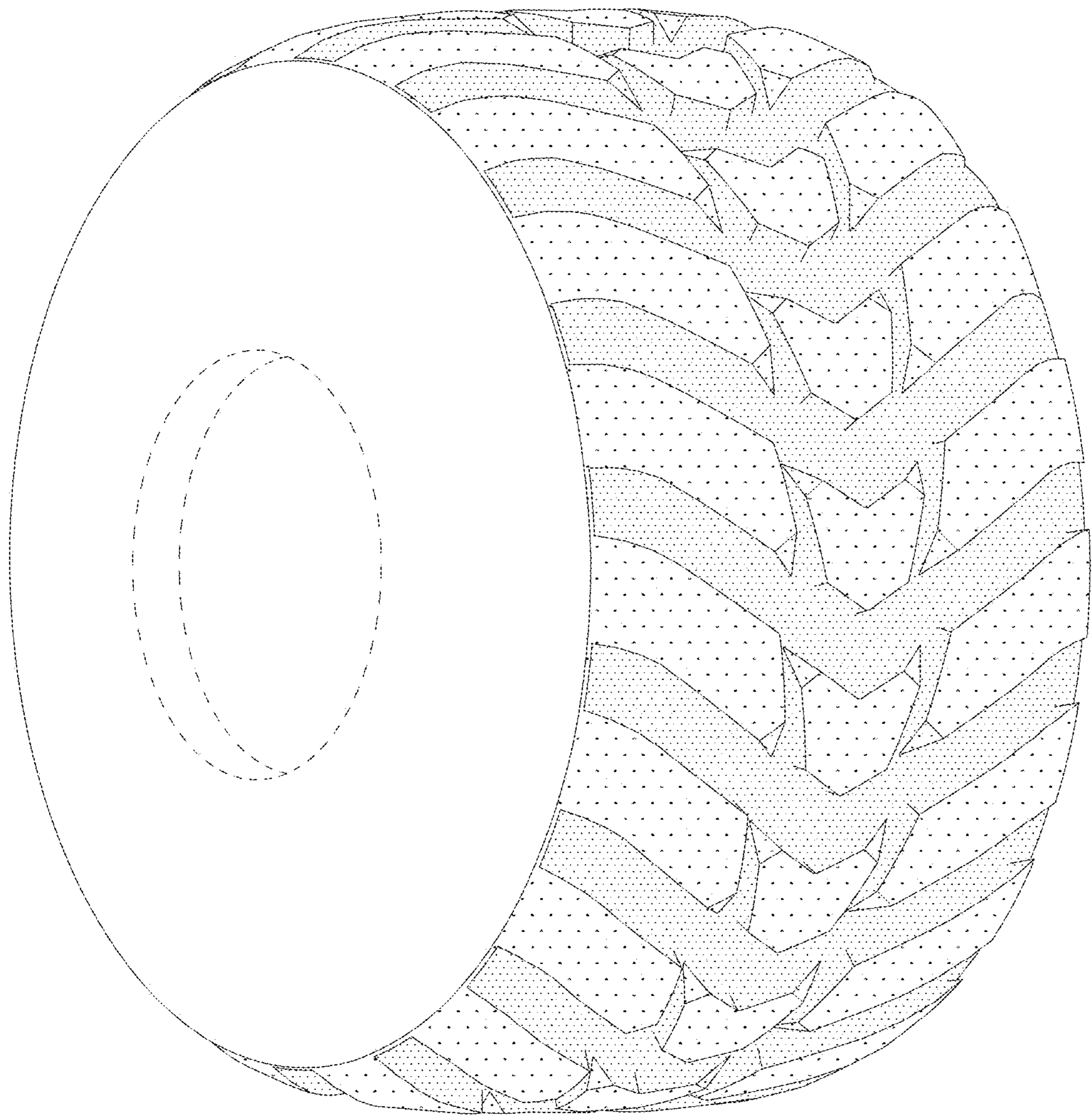


FIG. 2

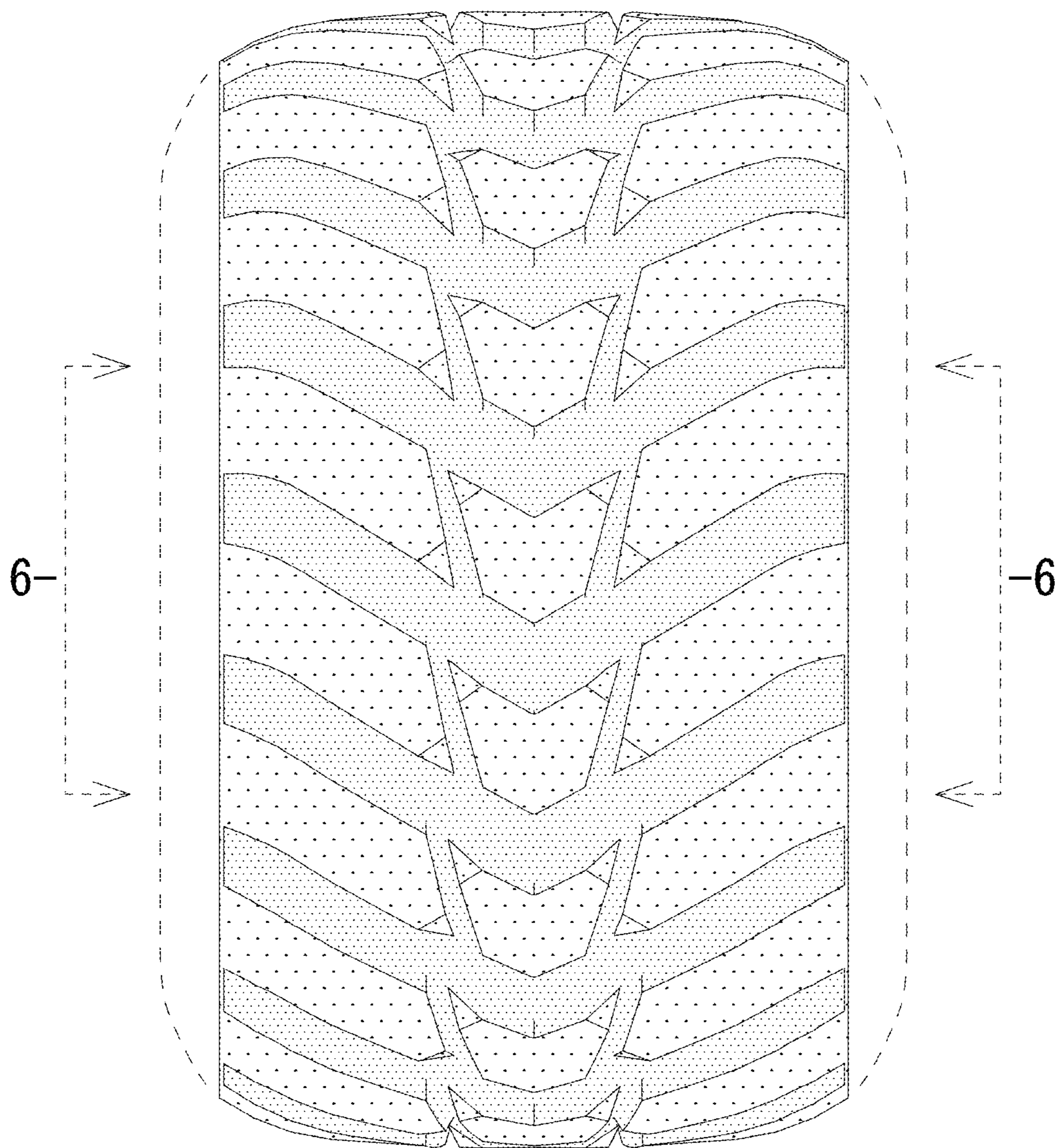


FIG. 3

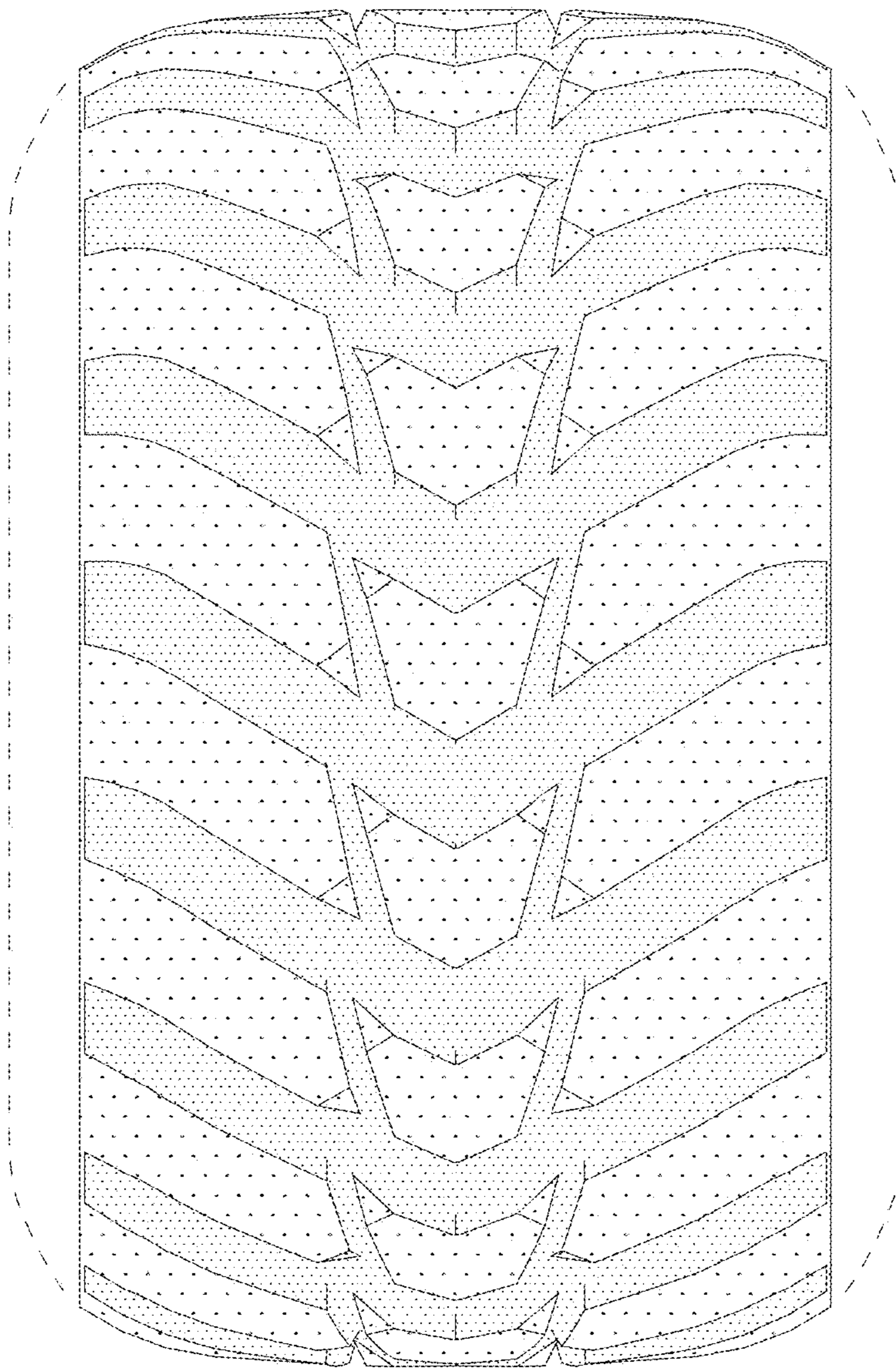


FIG. 4

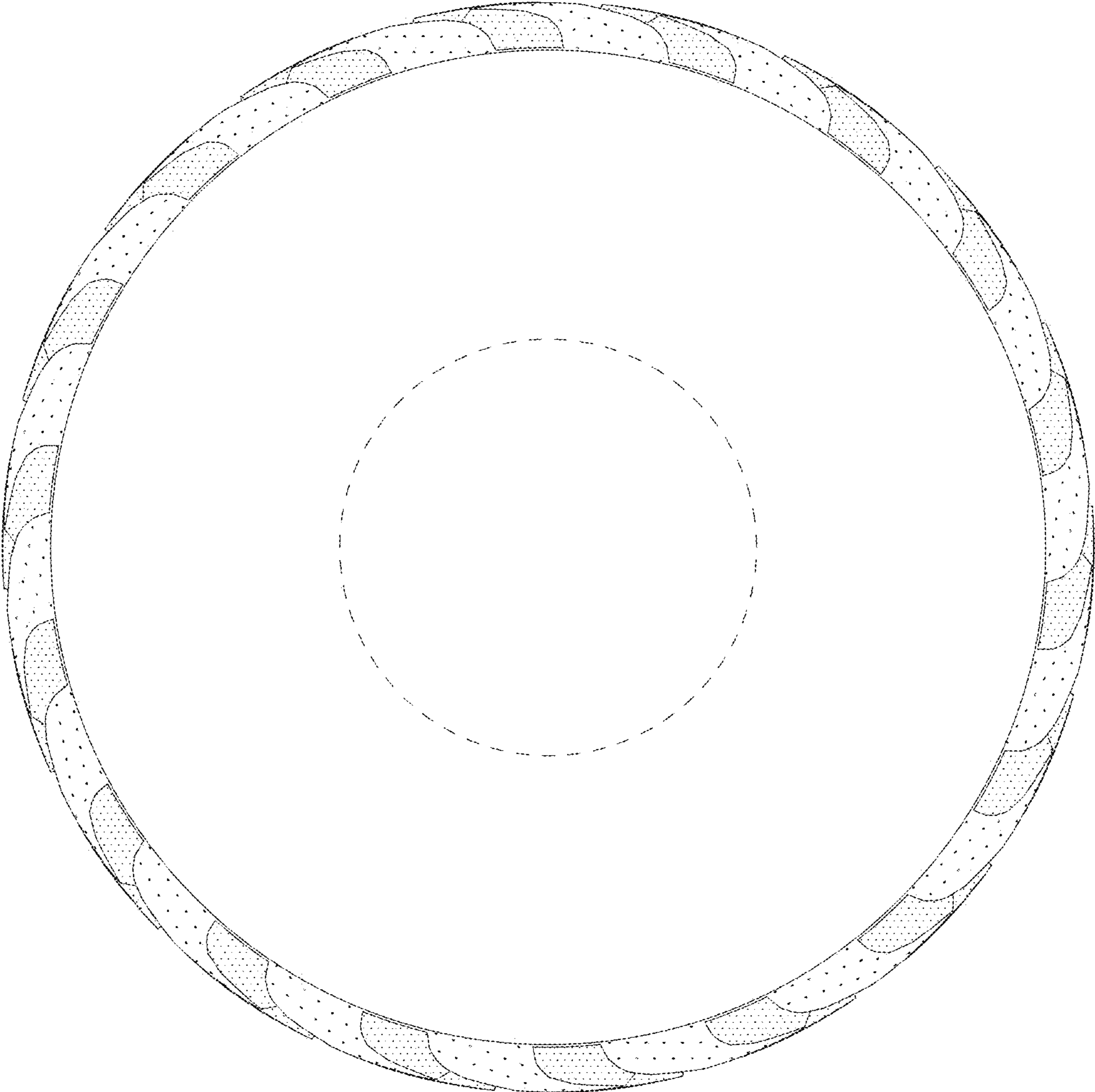


FIG. 5

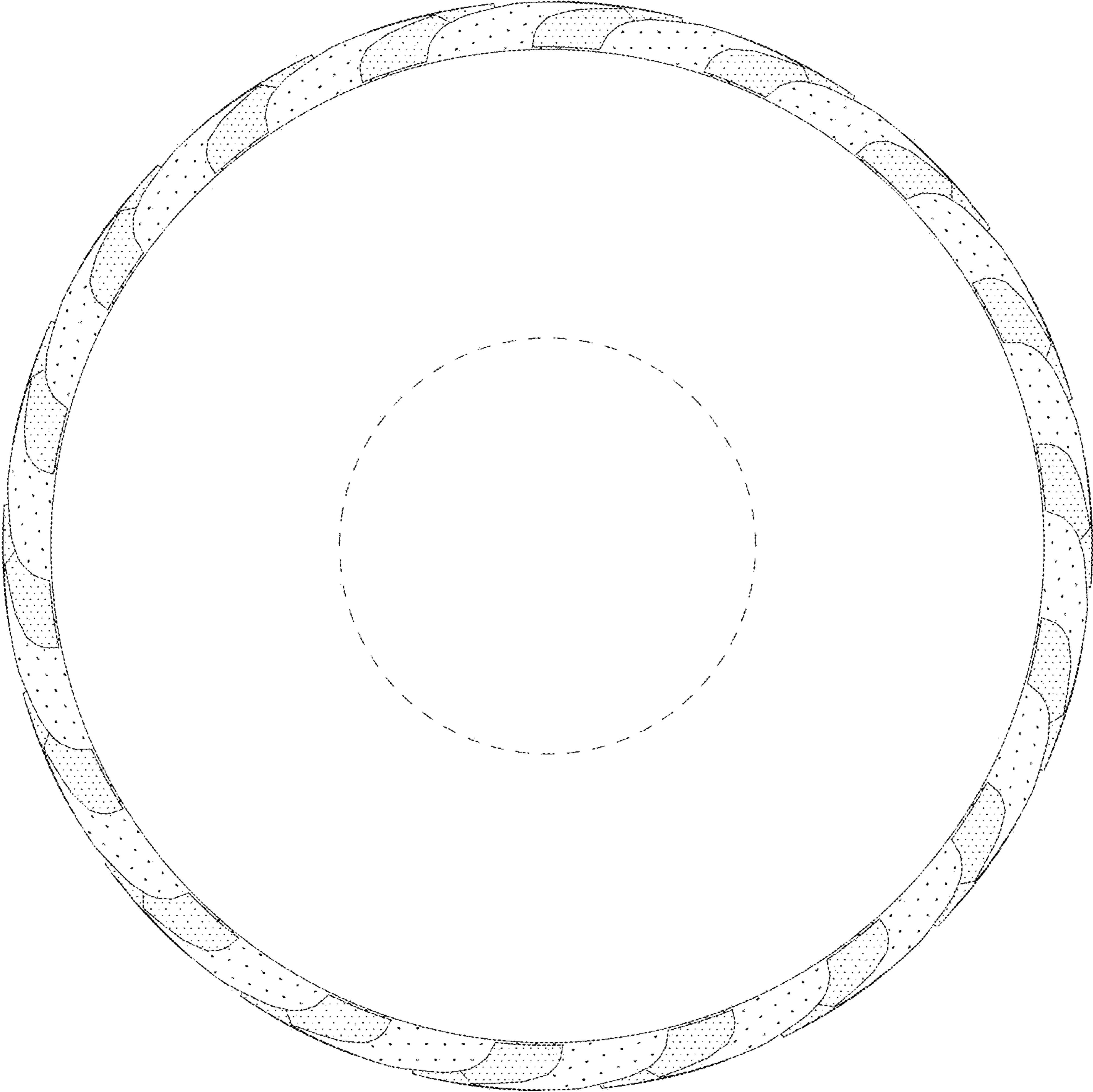


FIG. 6

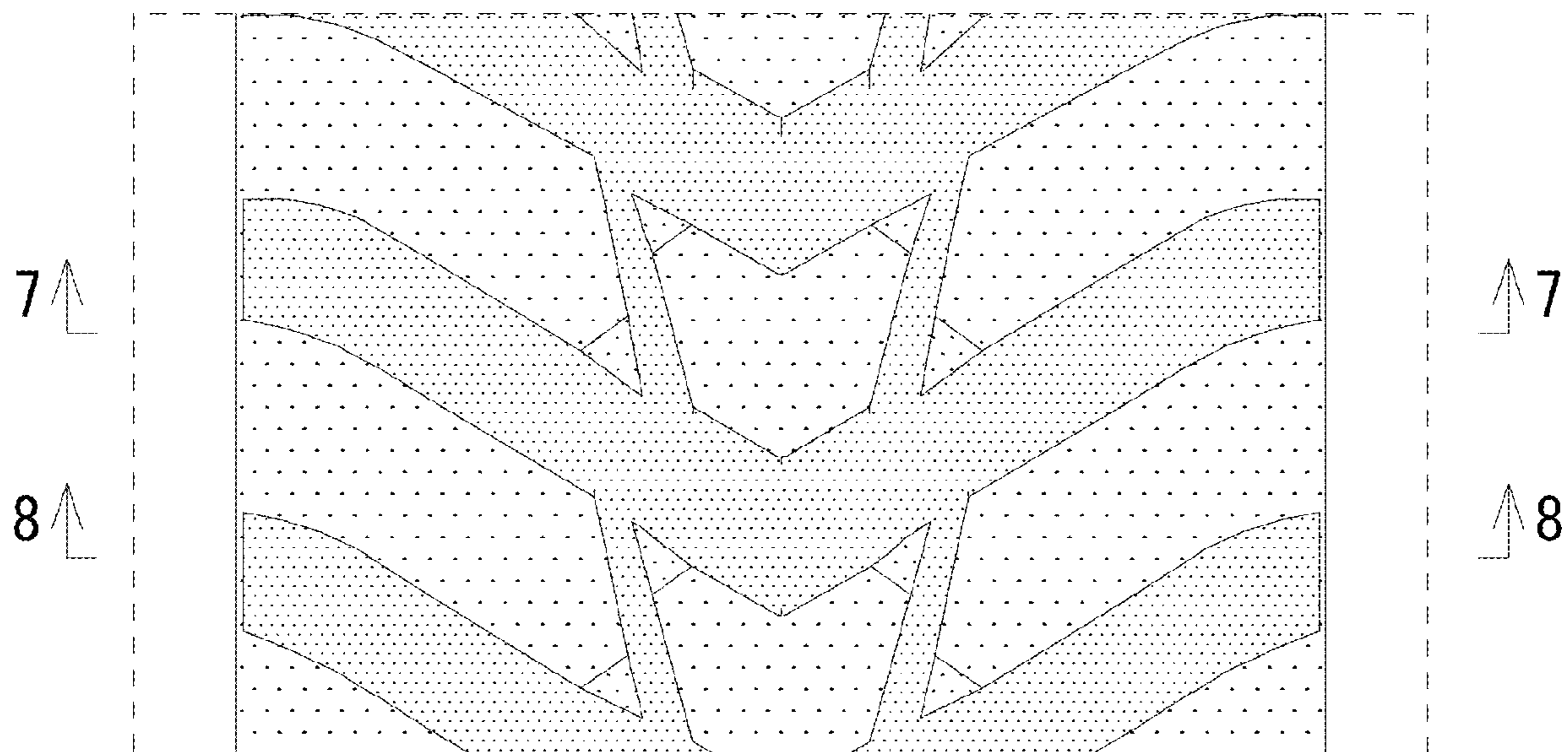


FIG. 7

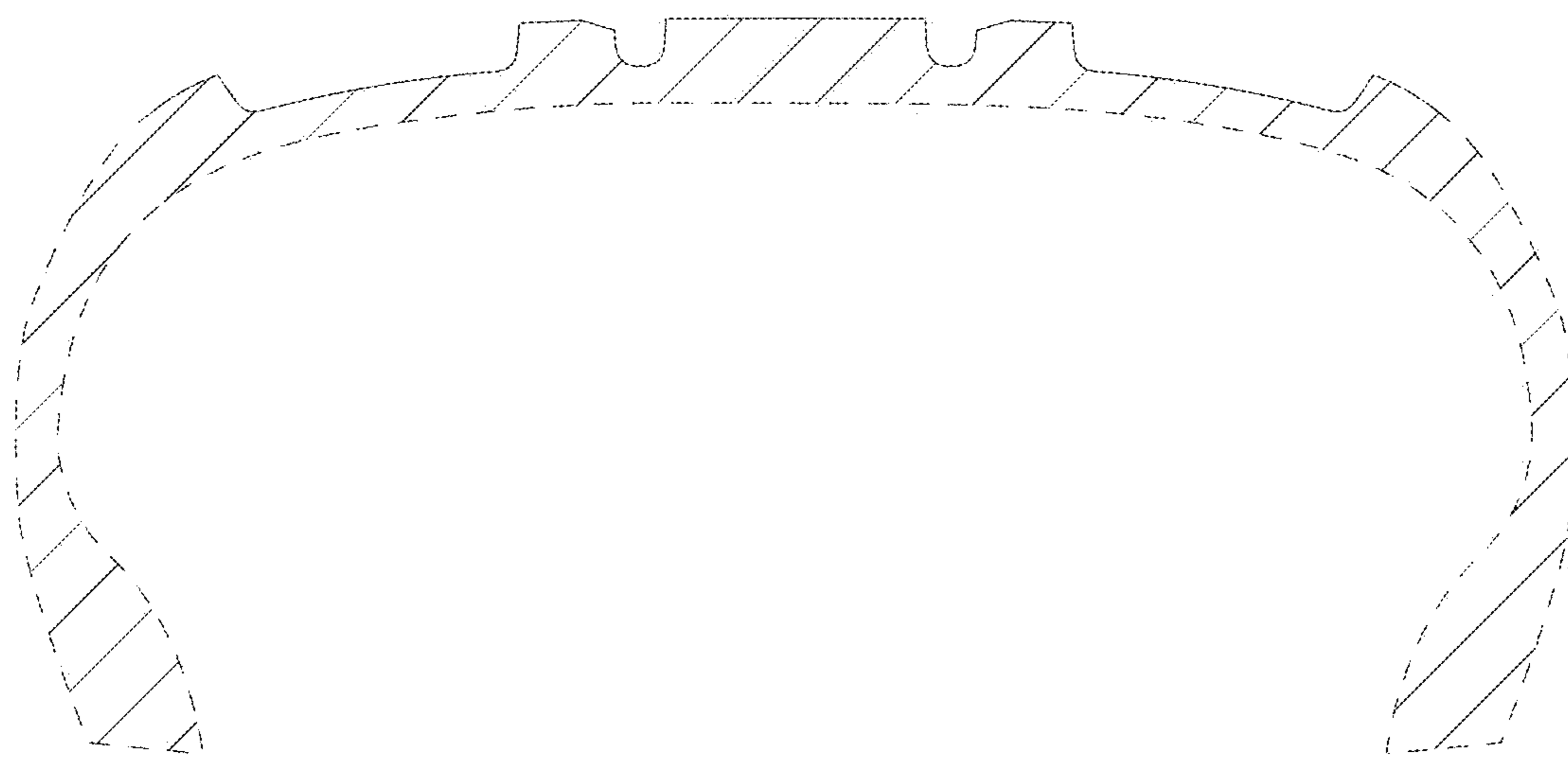


FIG. 8

