



US00D986800S

(12) **United States Design Patent**  
**Qiu**

(10) **Patent No.:** **US D986,800 S**  
(45) **Date of Patent:** **\*\* May 23, 2023**

(54) **QUADROTOR AIRCRAFT**

(71) Applicant: **Yuwu Qiu**, Shantou (CN)

(72) Inventor: **Yuwu Qiu**, Shantou (CN)

(\*\*) Term: **15 Years**

(21) Appl. No.: **29/886,930**

(22) Filed: **Mar. 15, 2023**

(51) **LOC (14) Cl.** ..... **21-01**

(52) **U.S. Cl.**  
USPC ..... **D21/441**

(58) **Field of Classification Search**  
USPC ..... D12/1, 2, 3, 4, 16.1, 174, 319–345;  
D21/301, 436, 438, 441–455  
CPC ... B64C 39/00; B64C 39/024; B64C 2201/00;  
B64C 2201/024; B64C 2201/042; B64C  
2201/086; B64C 2201/088; B64C  
2201/102; B64C 2201/104; B64C  
2201/108; B64C 2201/12; B64C  
2201/123; B64C 2201/127; B64C  
2201/141; B64C 2201/146; B64C 29/00;  
B64C 29/0025; B64C 29/0033; B64C  
29/02; B64C 27/08; B64C 3/10; B64C  
2203/00

See application file for complete search history.

(56) **References Cited**

**U.S. PATENT DOCUMENTS**

D708,272 S \* 7/2014 Schmelter ..... D12/330  
D768,540 S \* 10/2016 Ji ..... D12/16.1  
D779,595 S \* 2/2017 Xiao ..... D21/441  
D784,201 S \* 4/2017 Goldy ..... D21/441

D793,482 S \* 8/2017 Wang ..... D21/441  
D795,967 S \* 8/2017 Haley ..... D21/441  
D800,016 S \* 10/2017 Huang ..... D12/16.1  
D817,850 S 5/2018 Xiao  
D825,380 S 8/2018 Tompkin  
D831,538 S \* 10/2018 Gan ..... D12/328  
D855,705 S \* 8/2019 Zhao ..... D21/436  
D858,353 S \* 9/2019 Gan ..... D12/16.1  
D867,470 S \* 11/2019 Haley ..... D12/328  
D894,790 S 9/2020 Chen  
D904,226 S 12/2020 Zhao  
D932,369 S 10/2021 Passley  
D938,860 S \* 12/2021 Bao ..... D12/16.1  
D972,454 S \* 12/2022 Wang ..... D21/441

\* cited by examiner

*Primary Examiner* — Cary M Robinson

*Assistant Examiner* — Adam C Mager

(74) *Attorney, Agent, or Firm* — Rumit Ranjit Kanakia

(57) **CLAIM**

The ornamental design for a quadrotor aircraft, as shown and described.

**DESCRIPTION**

FIG. 1 is a perspective view of a quadrotor aircraft showing my new design;

FIG. 2 is a front view thereof;

FIG. 3 is a rear view thereof;

FIG. 4 is a left side view thereof;

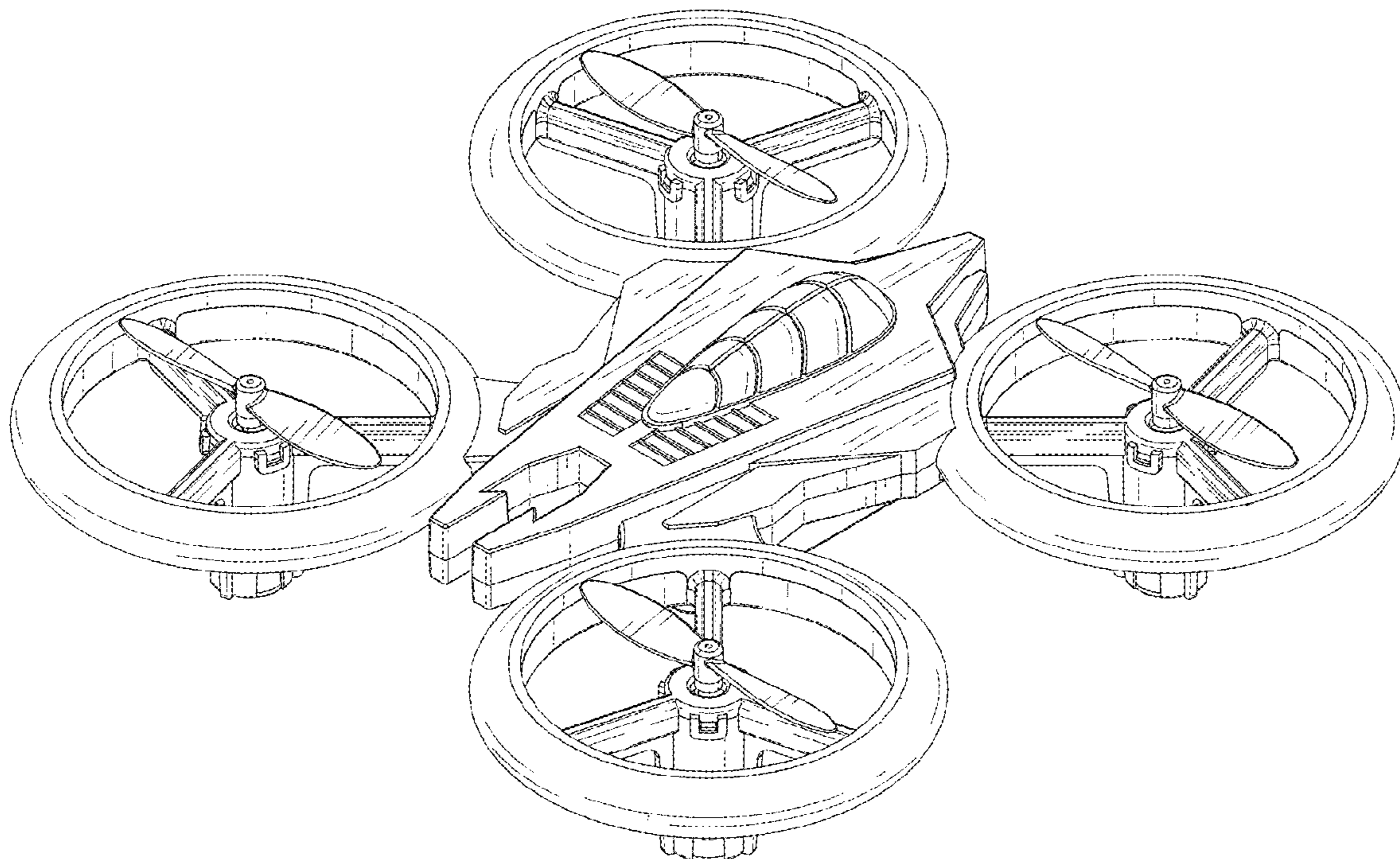
FIG. 5 is a right side view thereof;

FIG. 6 is a top plan view thereof; and,

FIG. 7 is a bottom plan view thereof.

Broken lines in the drawings depict portions of the quadrotor aircraft that form no part of the claimed design.

**1 Claim, 7 Drawing Sheets**



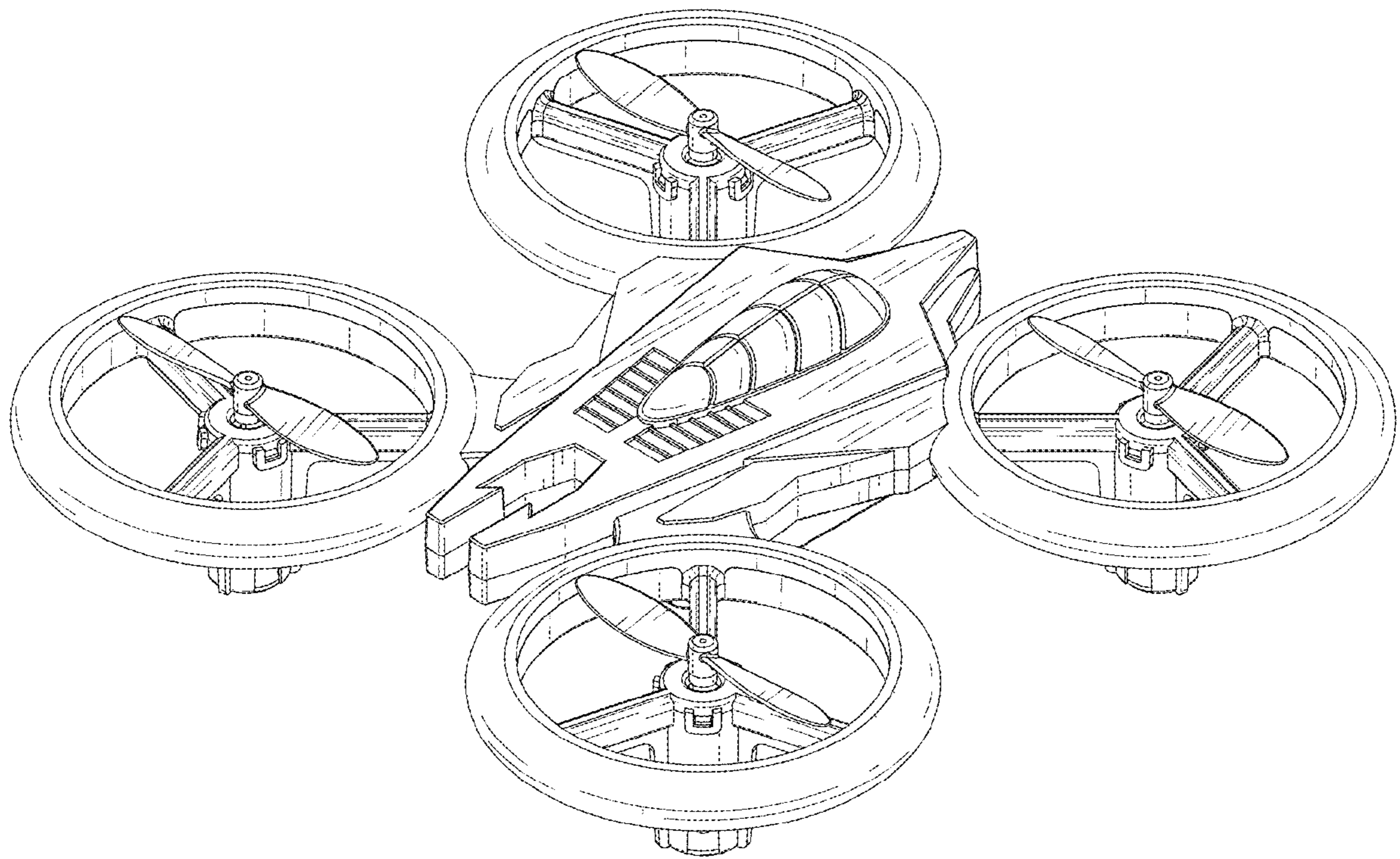


FIG. 1

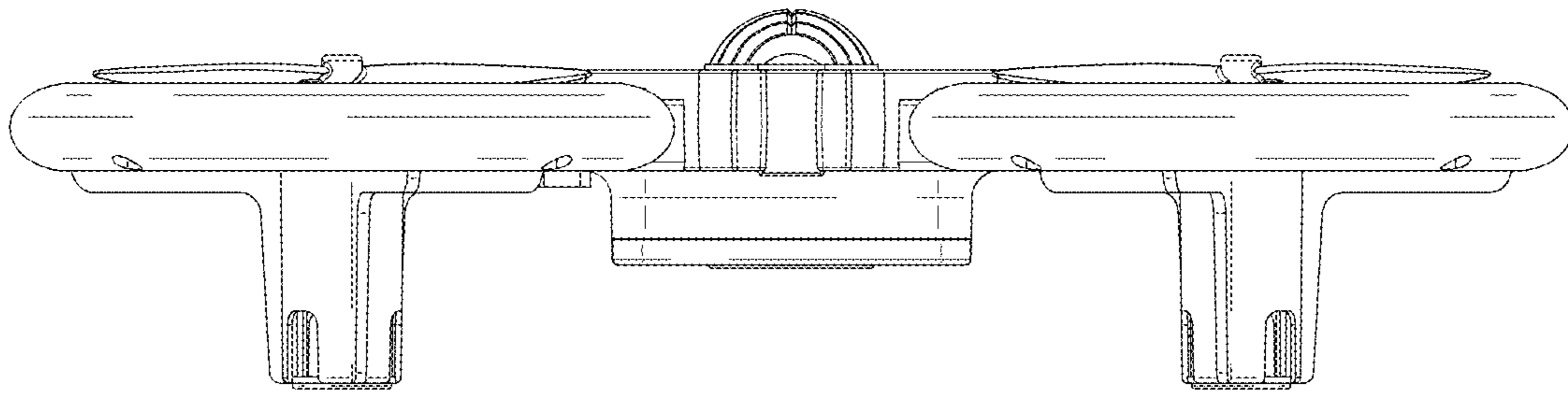


FIG. 2

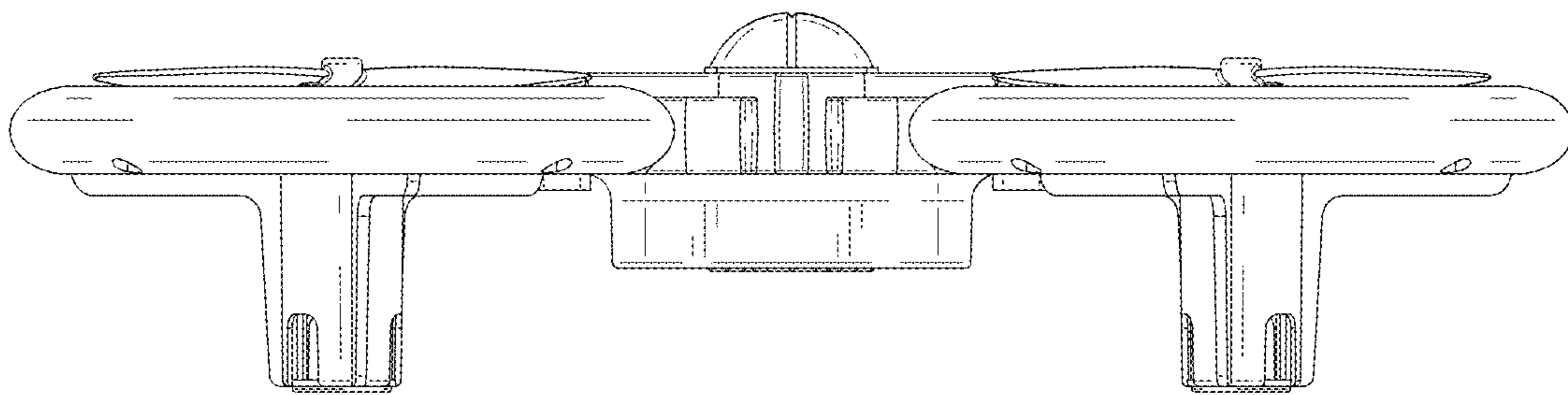


FIG. 3

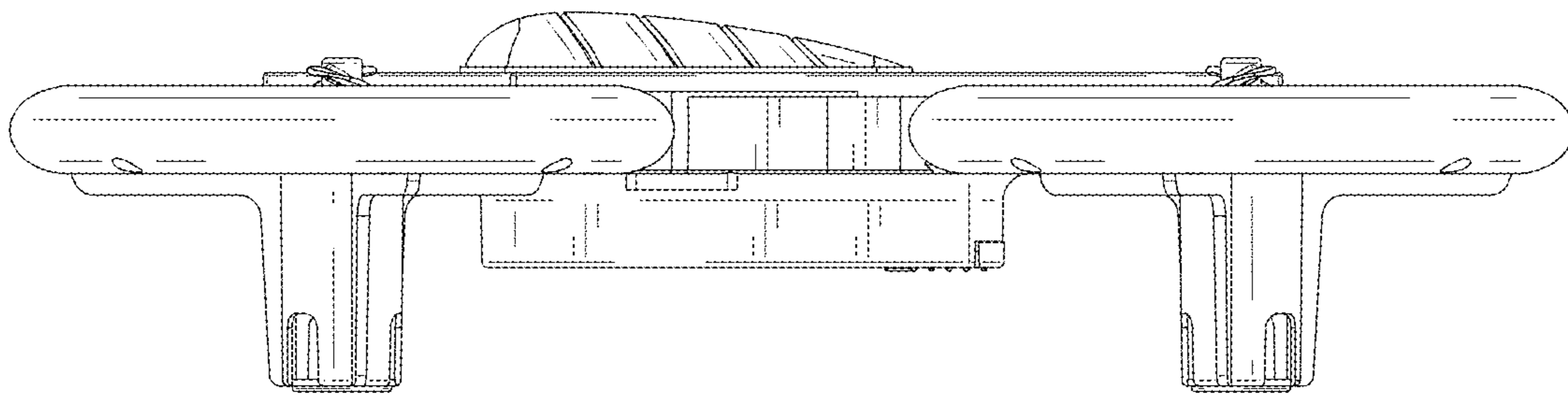


FIG. 4

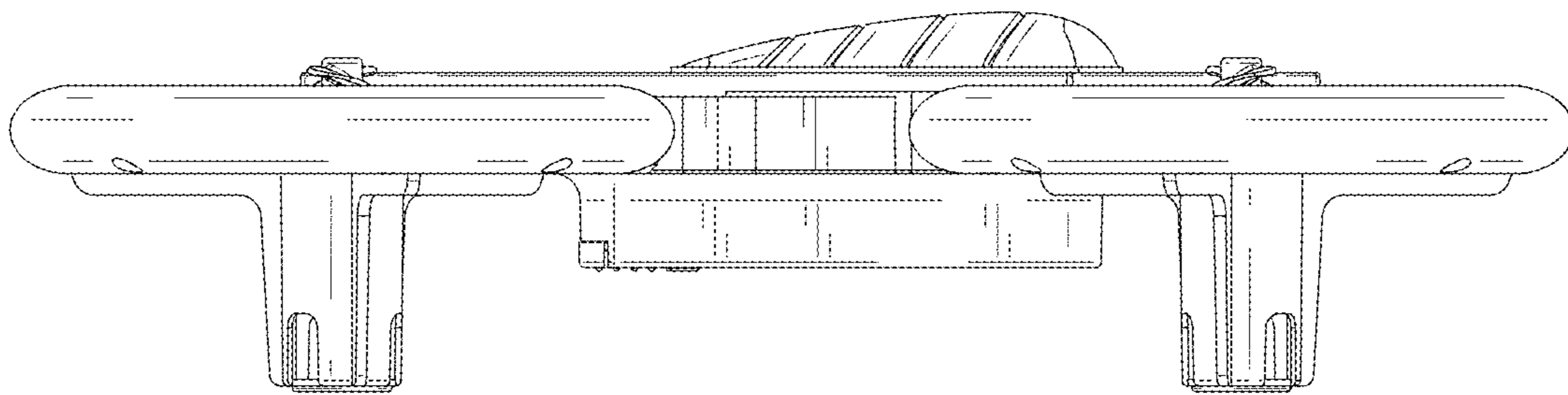


FIG. 5

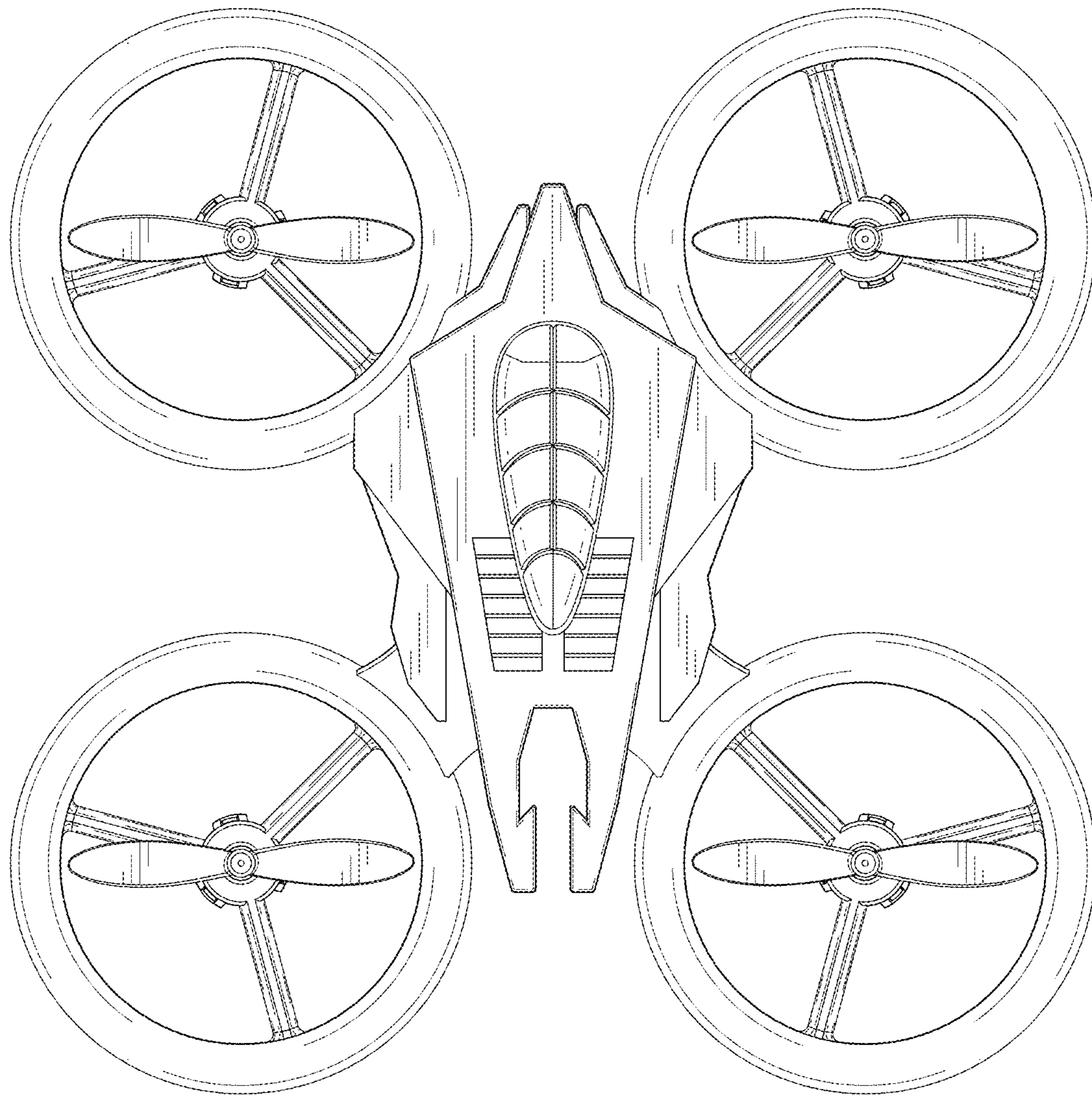


FIG. 6

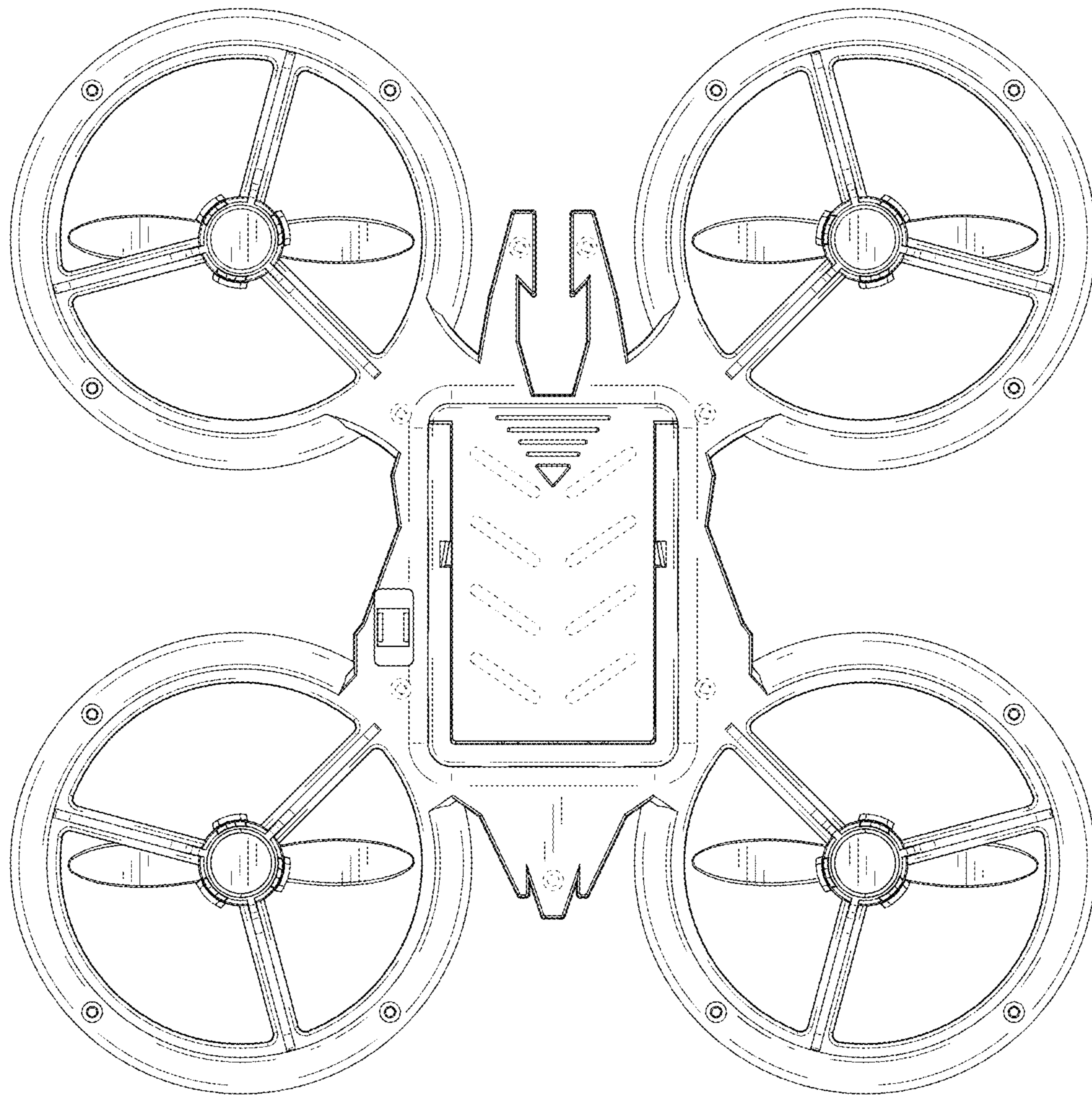


FIG. 7