



US00D986794S

(12) **United States Design Patent**
Park

(10) **Patent No.:** **US D986,794 S**

(45) **Date of Patent:** **** May 23, 2023**

(54) **WHEEL FOR VEHICLE**

(71) Applicant: **NISSAN MOTORSPORTS AND
CUSTOMIZING CO., LTD.,**
Kanagawa (JP)

(72) Inventor: **Changil Park, Kanagawa (JP)**

(73) Assignee: **NISSAN MOTORSPORTS AND
CUSTOMIZING CO., LTD.,**
Kanagawa (JP)

(**) Term: **15 Years**

(21) Appl. No.: **29/812,994**

(22) Filed: **Oct. 26, 2021**

(30) **Foreign Application Priority Data**

Sep. 10, 2021 (JP) 2021-019718D

(51) **LOC (14) Cl.** **12-16**

(52) **U.S. Cl.**
USPC **D12/209**

(58) **Field of Classification Search**
USPC D12/204-213; D21/563
CPC B60B 7/00; B60B 7/02; B60B 7/04; B60B
7/01; B60B 7/06; B60B 3/02; B60B 3/04;
B60B 3/06; B60B 3/10; B60B 1/00;
B60B 1/08; B60B 1/10; B60B 1/12
See application file for complete search history.

(56) **References Cited**

U.S. PATENT DOCUMENTS

D460,396 S * 7/2002 Kember D12/209
D726,621 S * 4/2015 Alfonso D12/209
D827,537 S * 9/2018 Owens D12/209
D910,525 S * 2/2021 Tran D12/209

D915,978 S * 4/2021 Ma D12/209
D918,117 S * 5/2021 Ma D12/209
D918,812 S * 5/2021 Mueller D12/209
D918,814 S * 5/2021 Kraljevic D12/209
D919,537 S * 5/2021 Kaoud D12/209
D929,923 S * 9/2021 Ma D12/209
D932,413 S * 10/2021 Juergens D12/209
D933,566 S * 10/2021 Juergens D12/209

* cited by examiner

Primary Examiner — Calvin E Vasant

(74) *Attorney, Agent, or Firm* — Wenderoth, Lind &
Ponack, L.L.P.

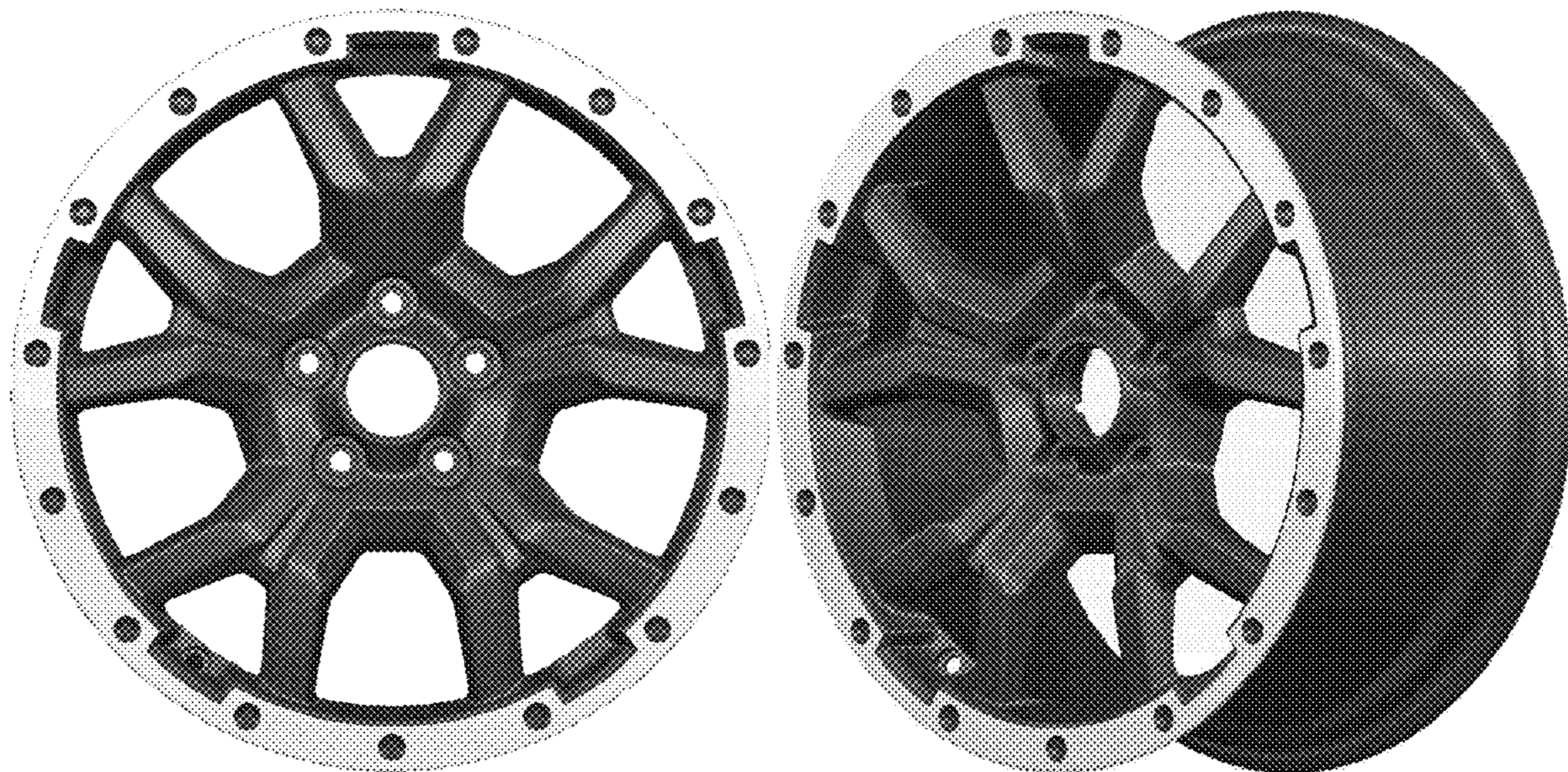
(57) **CLAIM**

The ornamental design for a wheel for vehicle, as shown.

DESCRIPTION

FIG. 1 is a front view of a wheel for vehicle showing my new design;
FIG. 2 is a rear view thereof;
FIG. 3 is a left side view thereof;
FIG. 4 is a right side view thereof;
FIG. 5 is a top plan view thereof;
FIG. 6 is a bottom plan view thereof; and,
FIG. 7 is a perspective view thereof.

1 Claim, 7 Drawing Sheets



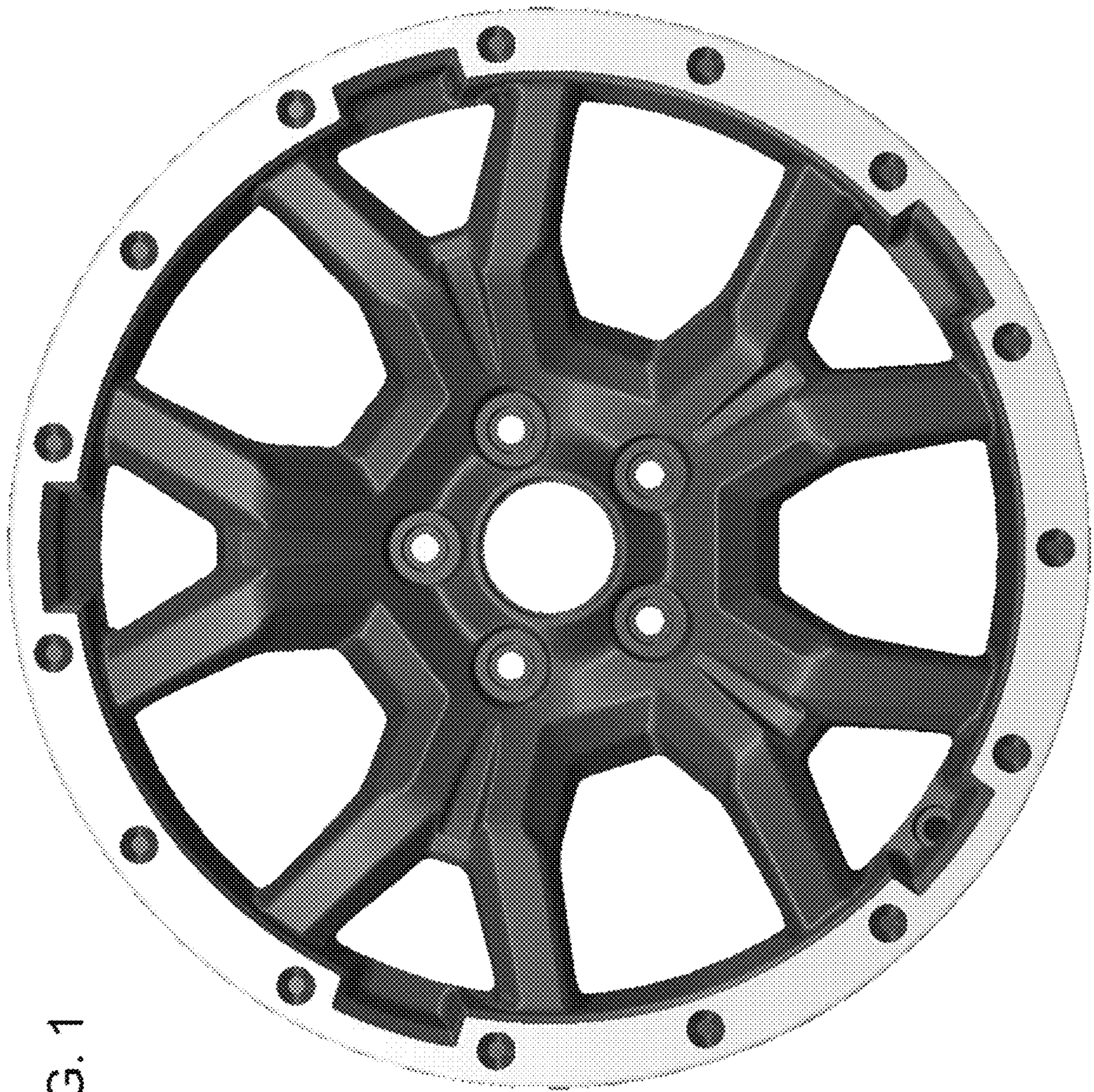


FIG. 1



FIG. 2

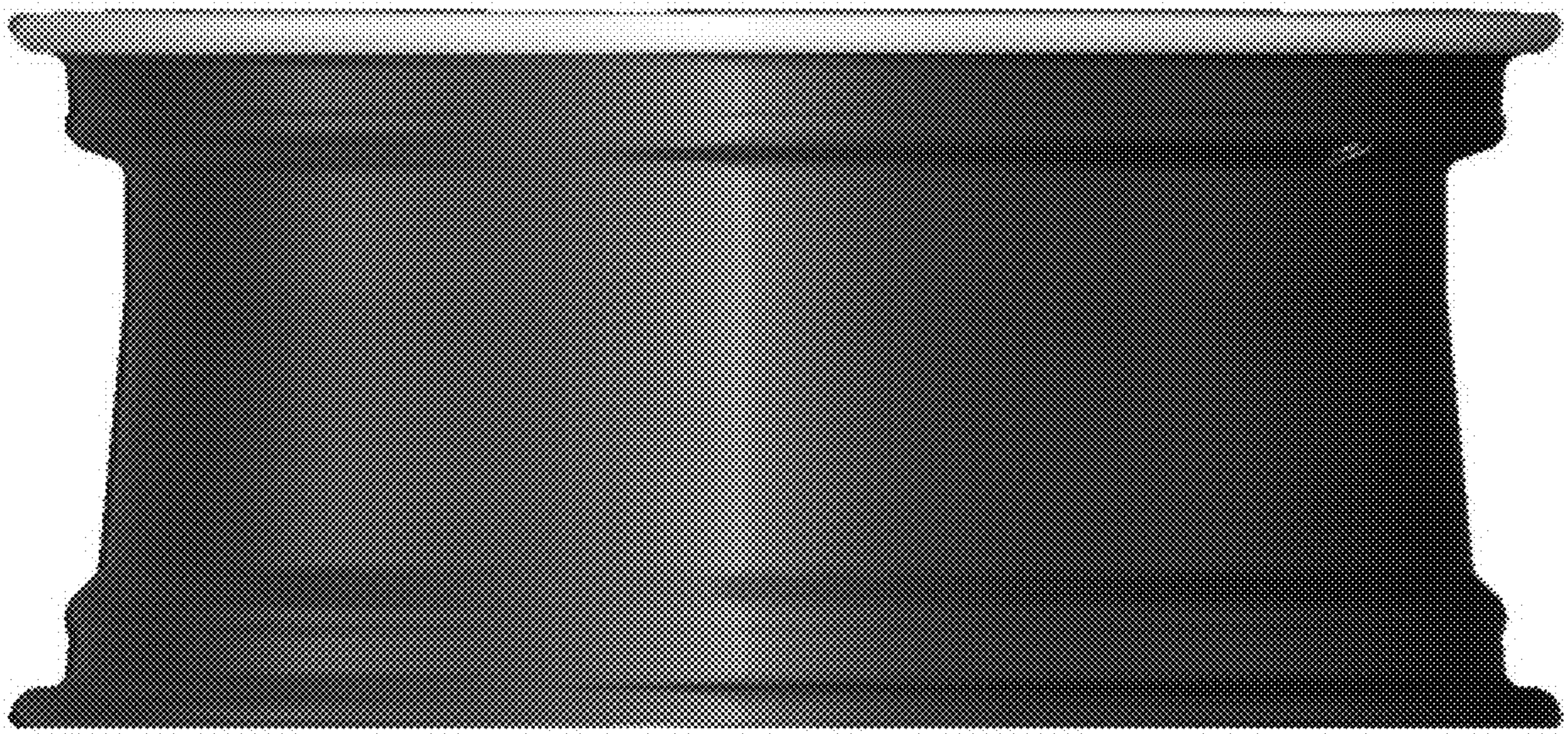


FIG. 3

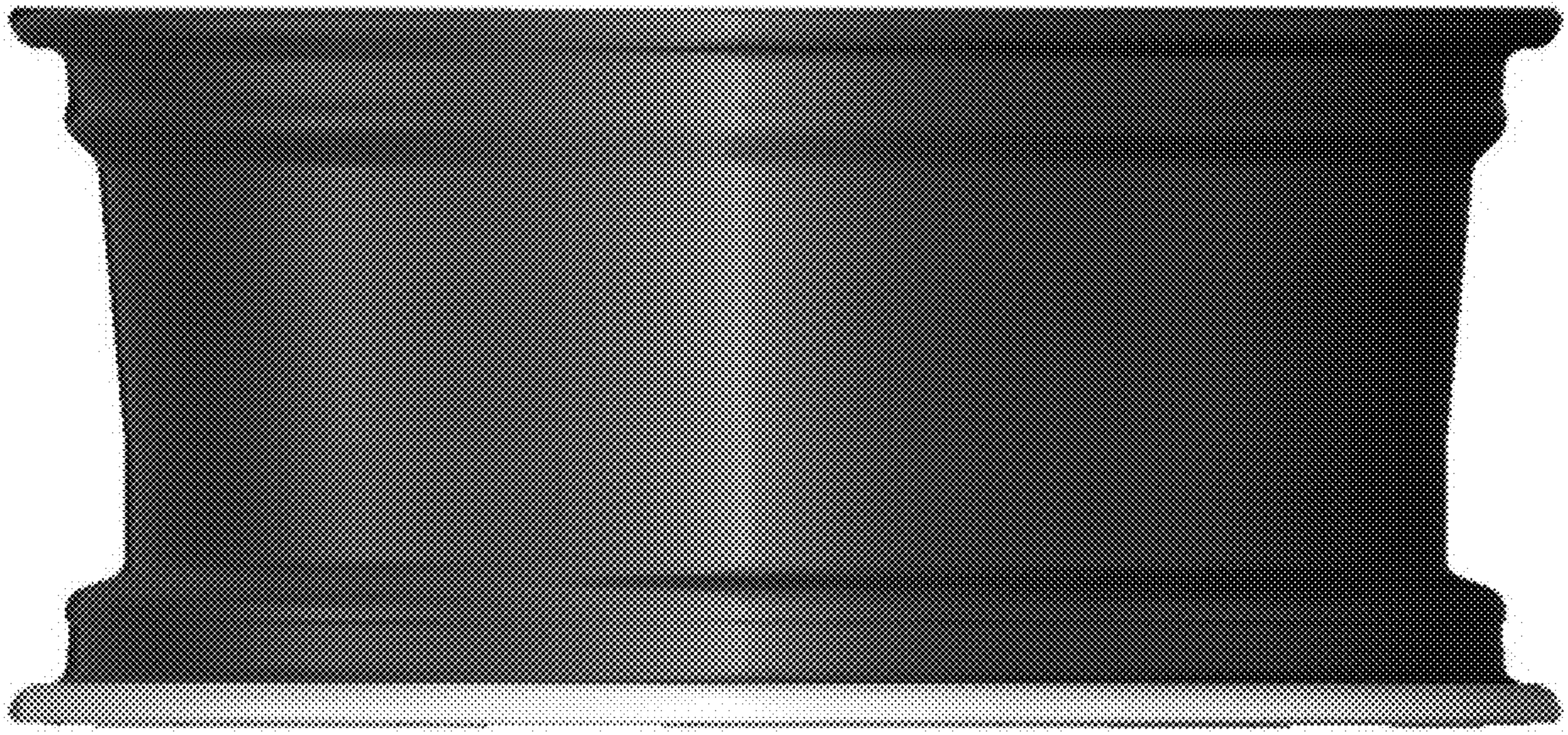


FIG. 4

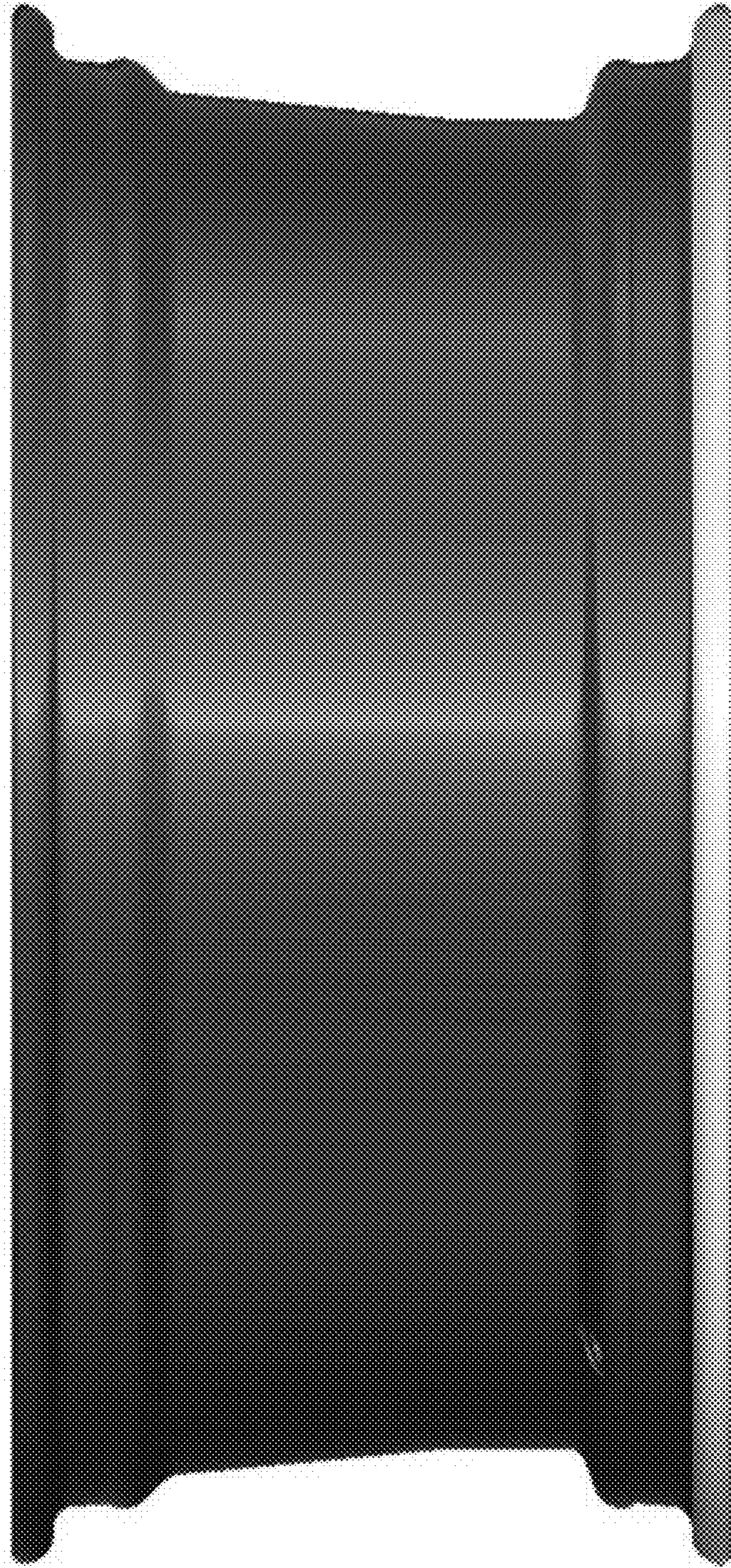


FIG. 5

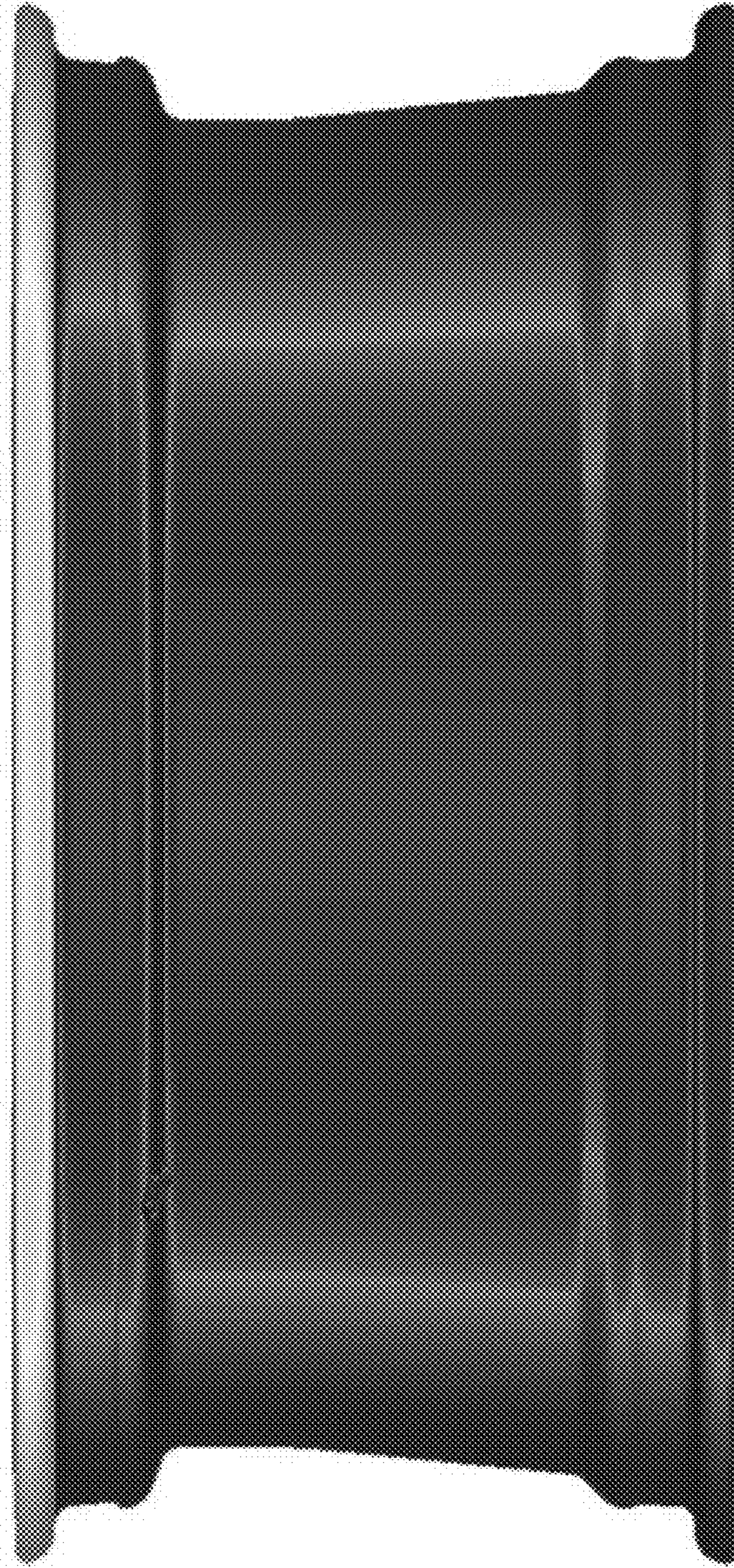


FIG. 6



FIG. 7