



US00D986793S

(12) **United States Design Patent** (10) **Patent No.:** **US D986,793 S**  
**Li** (45) **Date of Patent:** **\*\* May 23, 2023**

(54) **HUBCAP**

(71) Applicant: **Shuqun Li**, Lishui (CN)

(72) Inventor: **Shuqun Li**, Lishui (CN)

(\*\*) Term: **15 Years**

(21) Appl. No.: **29/886,237**

(22) Filed: **Mar. 7, 2023**

(51) **LOC (14) Cl.** ..... **12-16**

(52) **U.S. Cl.**  
USPC ..... **D12/204**

(58) **Field of Classification Search**  
USPC ..... D12/204, 209–213  
CPC ..... B60B 1/00–12; B60B 3/02–10; B60B  
7/00–06

See application file for complete search history.

(56) **References Cited**

**U.S. PATENT DOCUMENTS**

D369,775 S *	5/1996	Choi	.....	D12/204
D549,147 S *	8/2007	Huang	.....	D12/204
D555,564 S *	11/2007	Huang	.....	D12/204
D573,931 S *	7/2008	McMath	.....	D12/204
D578,051 S *	10/2008	McMath	.....	D12/204
D593,473 S *	6/2009	Fournier	.....	D12/213
D673,090 S *	12/2012	Lemke	.....	D12/204
D683,680 S *	6/2013	Kito	.....	D12/209
D685,710 S *	7/2013	Hanaoka	.....	D12/209
D702,174 S *	4/2014	Gordon	.....	D12/213
D785,511 S *	5/2017	Barenbrug	..... B60B 7/0026	D12/209
D797,633 S *	9/2017	Liu	.....	D12/204
D803,747 S *	11/2017	Liu	.....	D12/204
D842,204 S *	3/2019	Khachatryan	.....	D12/209
D875,635 S	2/2020	Mounts	.....	
D922,929 S *	6/2021	Ranum	.....	D12/213
D973,007 S *	12/2022	Sharp	.....	D12/213
2015/0239287 A1 *	8/2015	Young	..... B60B 7/0073	301/37.104

**OTHER PUBLICATIONS**

“Evbase Tesla Model 3 Arachnid” Tesla ., posted date Mar. 10, 2023 [online], [retrieved on Mar. 21, 2023]. Retrieved from the Internet <URL:https://www.evbase.com/products/evbase-tesla-model-3-arachnid-wheel-cover-18-inch-sport-wheel-cap-4pcs> (Year: 2023).\*

“Tesla Model S Plaid” Tesla., posted date Mar. 13, 2023 [online], [retrieved on Mar. 21, 2023]. Retrieved from the Internet <URL:https://driveteslacanada.ca/news/tesla-model-s-plaid-with-carbon-ceramic-brake-kit-gets-first-track-test-217mph-top-speed-and-new-lap-record-video/> (Year: 2023).\*

“Muskgeen Tesla Model 3” Tesla., posted date Nov. 23, 2022 [online], [retrieved on Mar. 21, 2023]. Retrieved from the Internet <URL:https://www.amazon.com/MUSKGEEN-Tesla-Model-Replacement-Hub/dp/B0BN5T1G1H?th=1> (Year: 2022).\*

“Mayde 18-Inch Wheel Covers” Mayde., posted date Aug. 2, 2021 [online], [retrieved on Mar. 21, 2023]. Retrieved from the Internet <URL:https://www.amazon.com/dp/B09BPSBF5M/> (Year: 2021).\*

\* cited by examiner

*Primary Examiner* — Darlington Ly

*Assistant Examiner* — Nasim Abdulaziz Ali

(57) **CLAIM**

The ornamental design for a hubcap, as shown and described.

**DESCRIPTION**

FIG. 1 is a front perspective view of a hubcap showing my new design;

FIG. 2 is a front elevation view thereof;

FIG. 3 is a rear elevation view thereof;

FIG. 4 is a left side elevation view thereof;

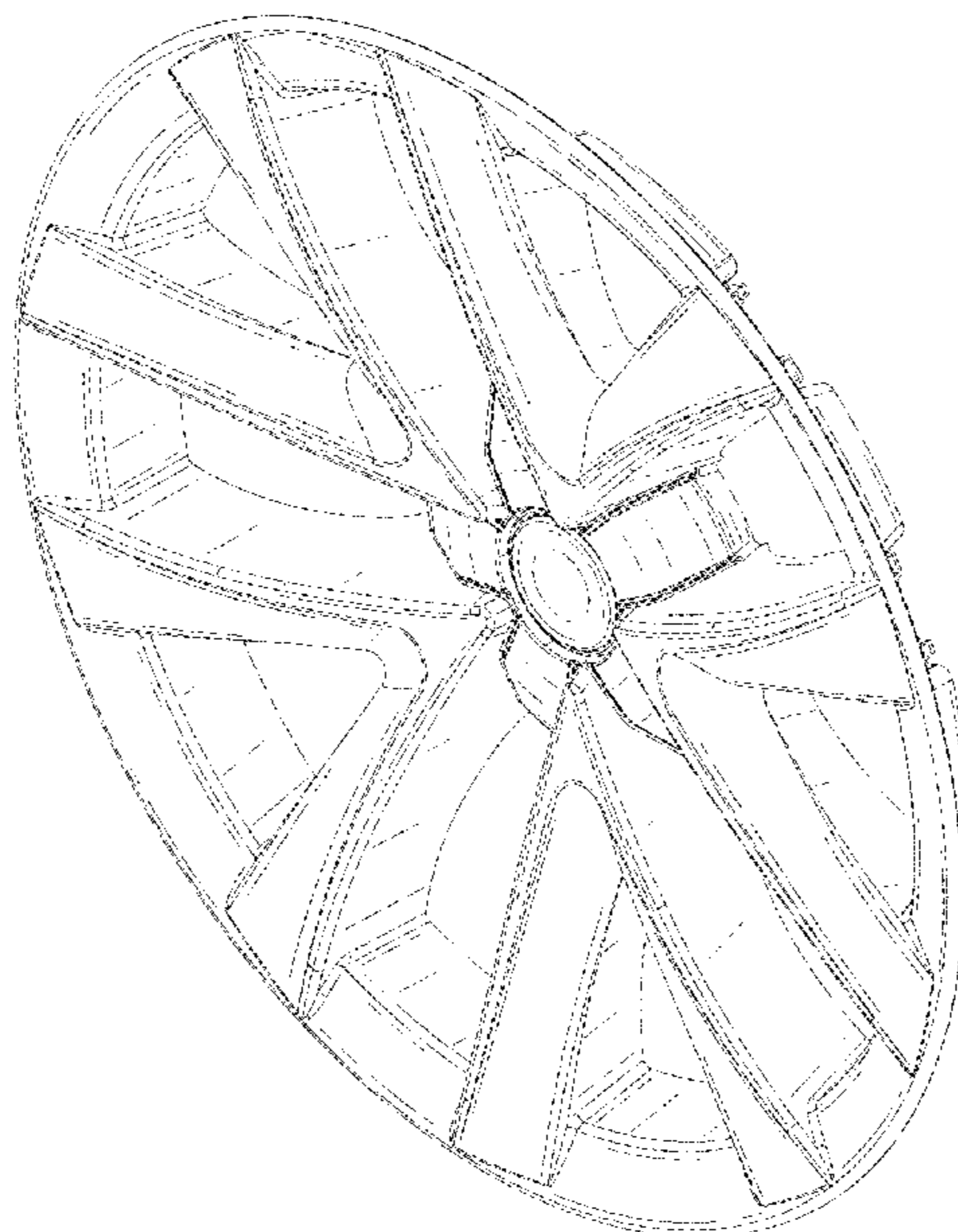
FIG. 5 is a right side elevation view thereof;

FIG. 6 is a top plan view thereof;

FIG. 7 is a bottom plan view thereof; and,

FIG. 8 is a rear perspective view thereof.

**1 Claim, 8 Drawing Sheets**



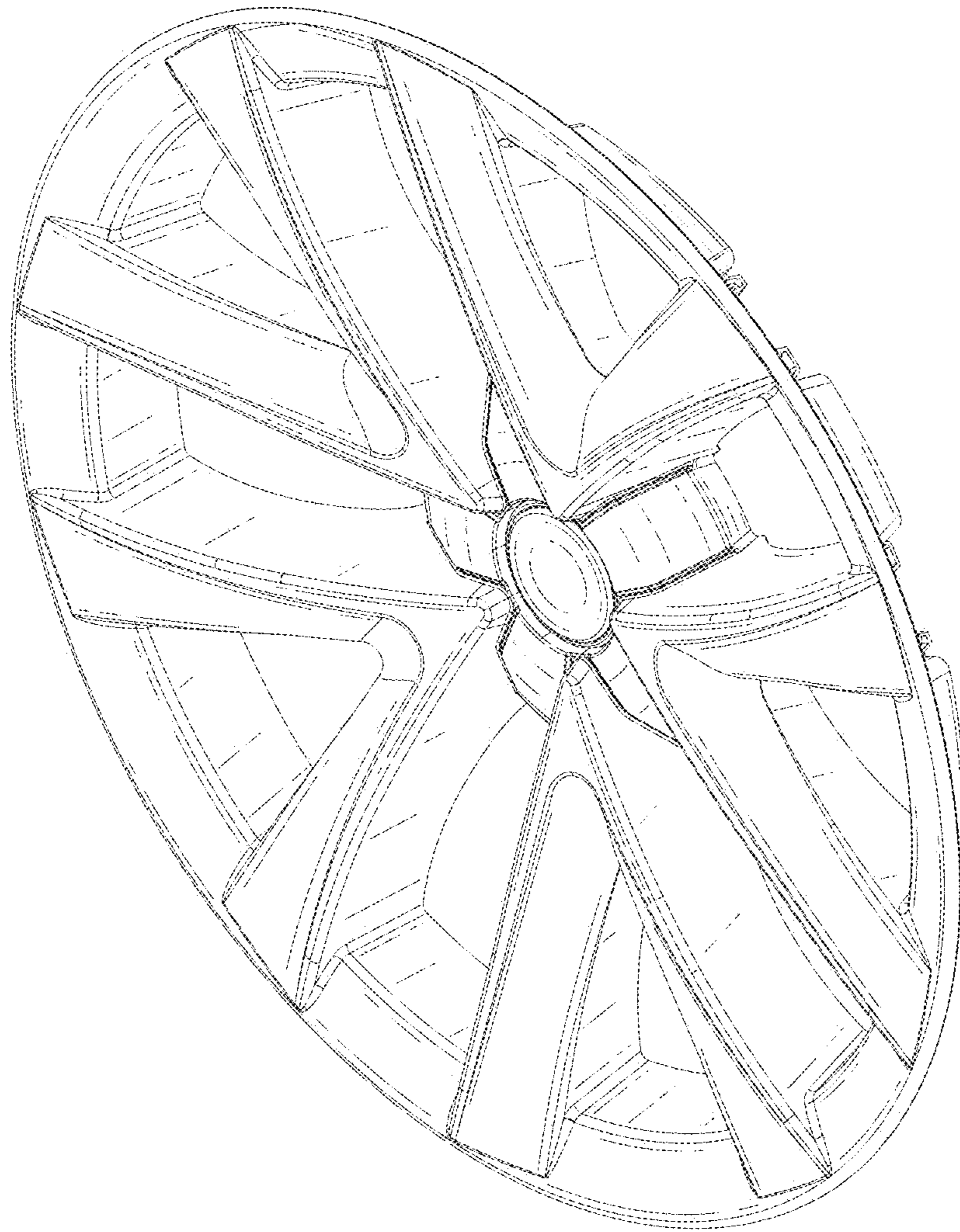


FIG. 1



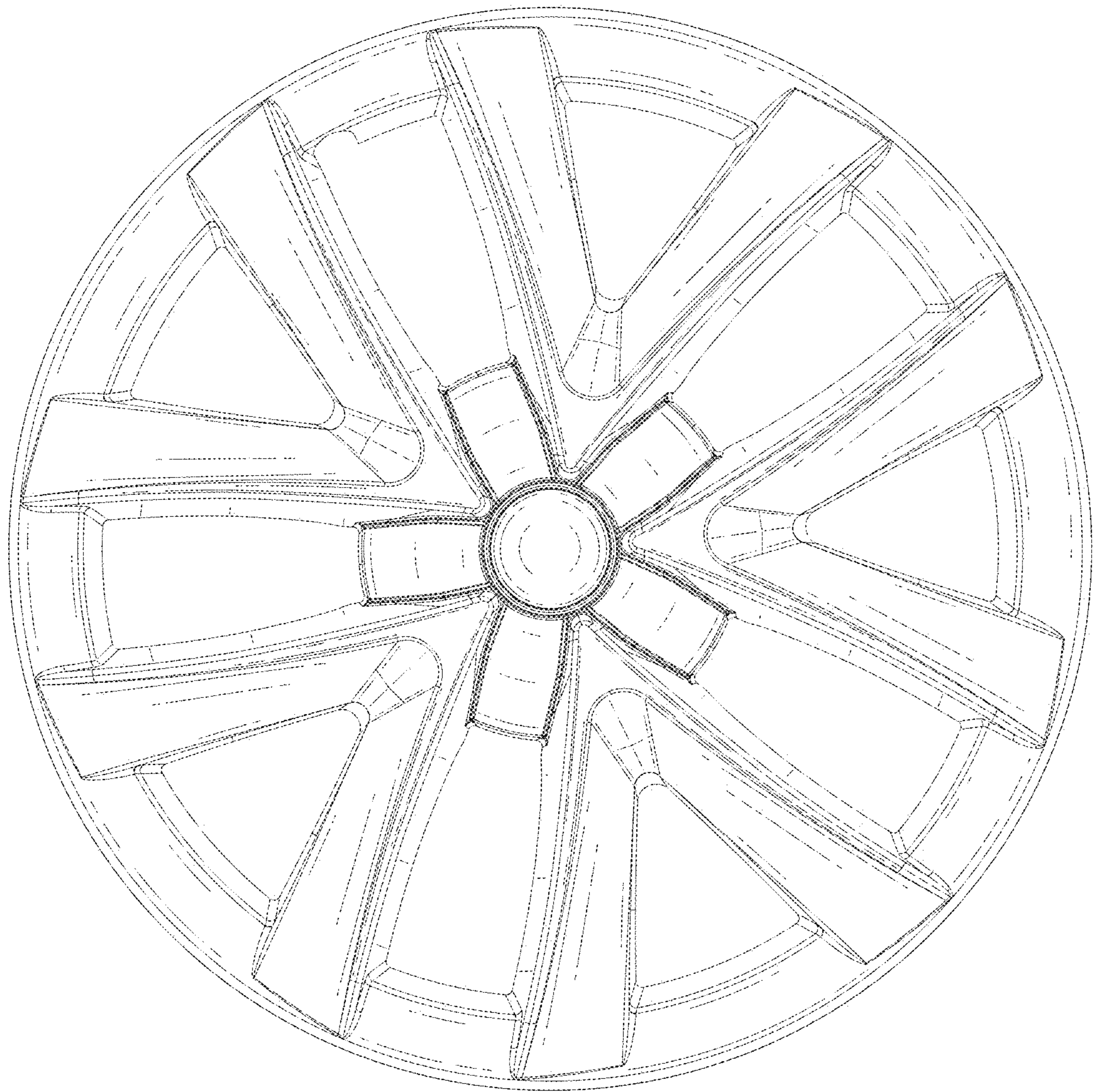


FIG. 2

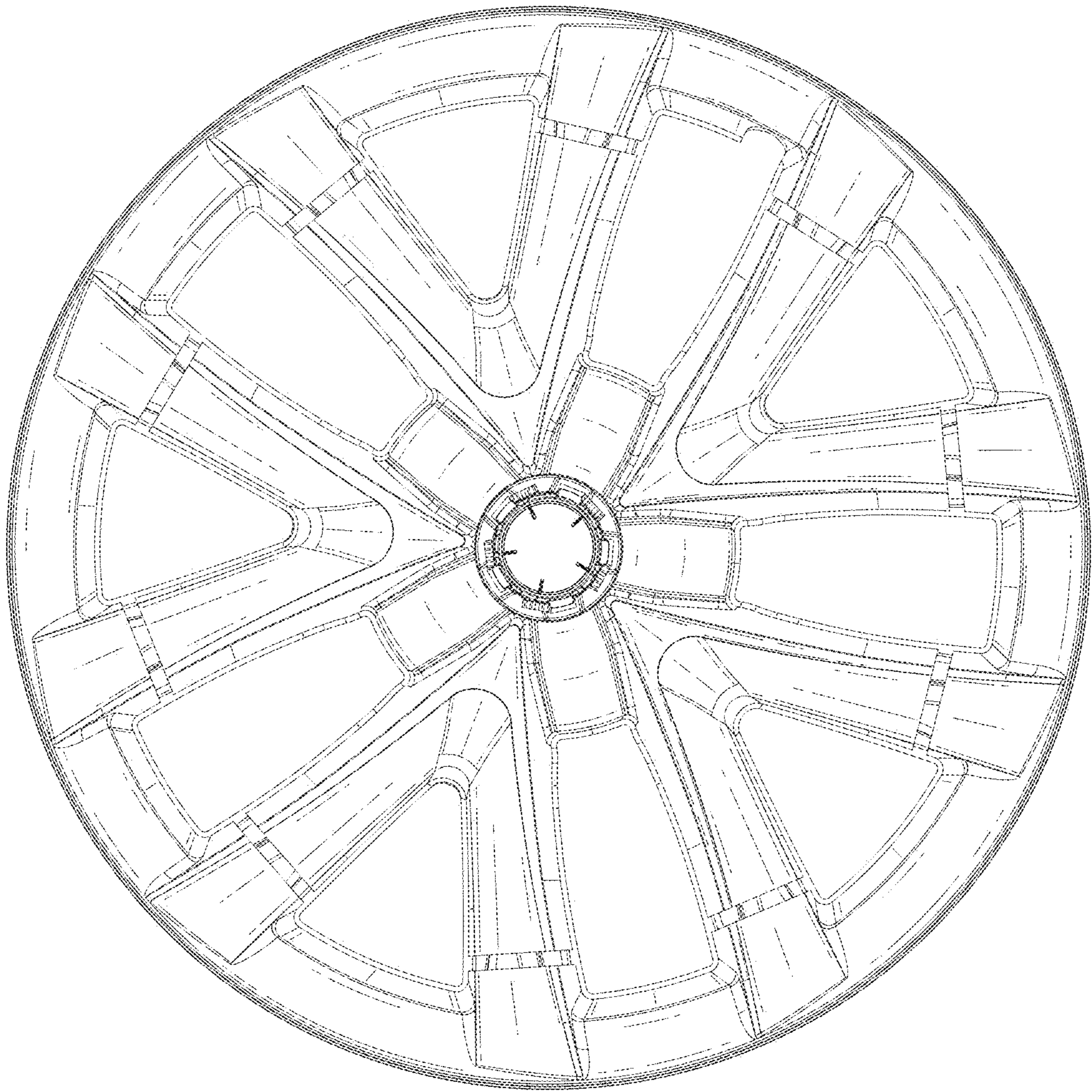


FIG. 3

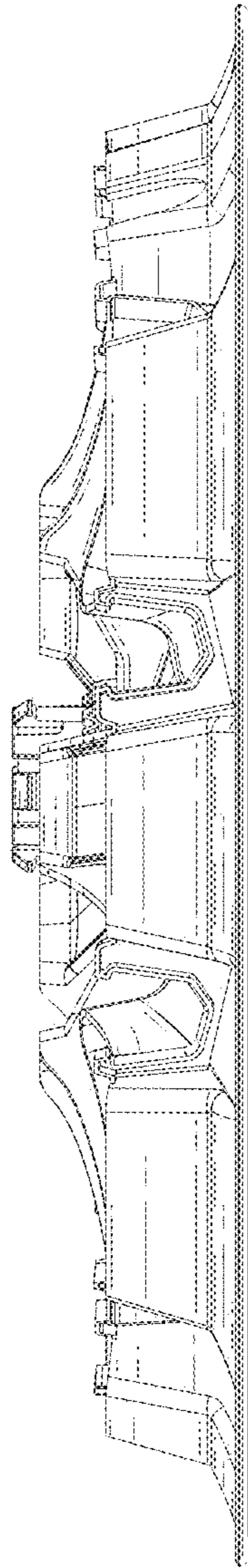


FIG. 4



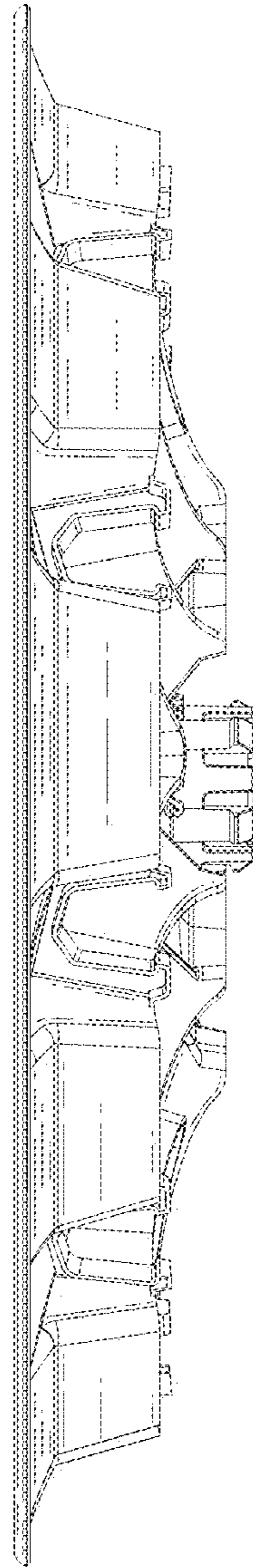


FIG. 5

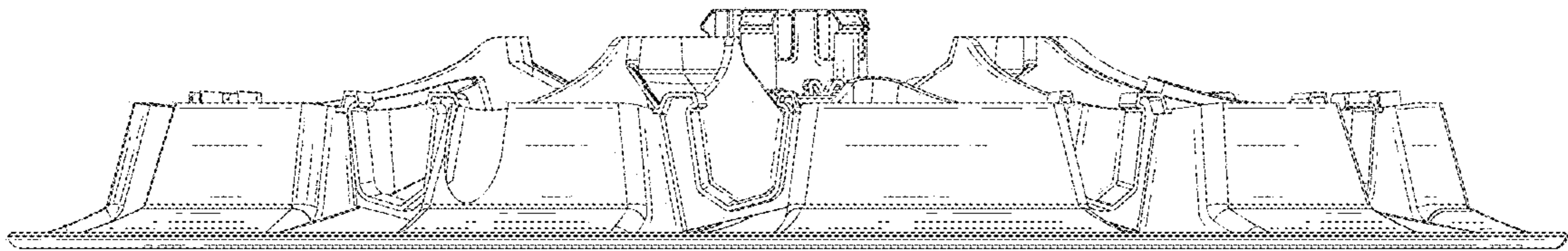


FIG. 6

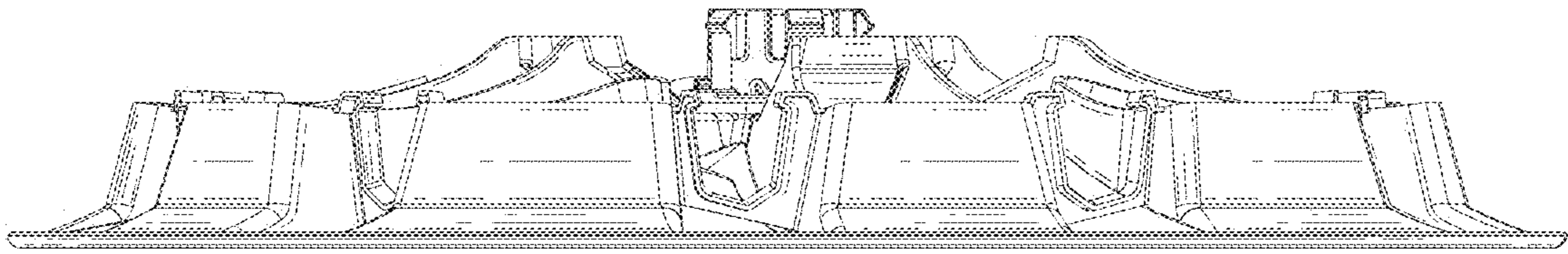


FIG. 7



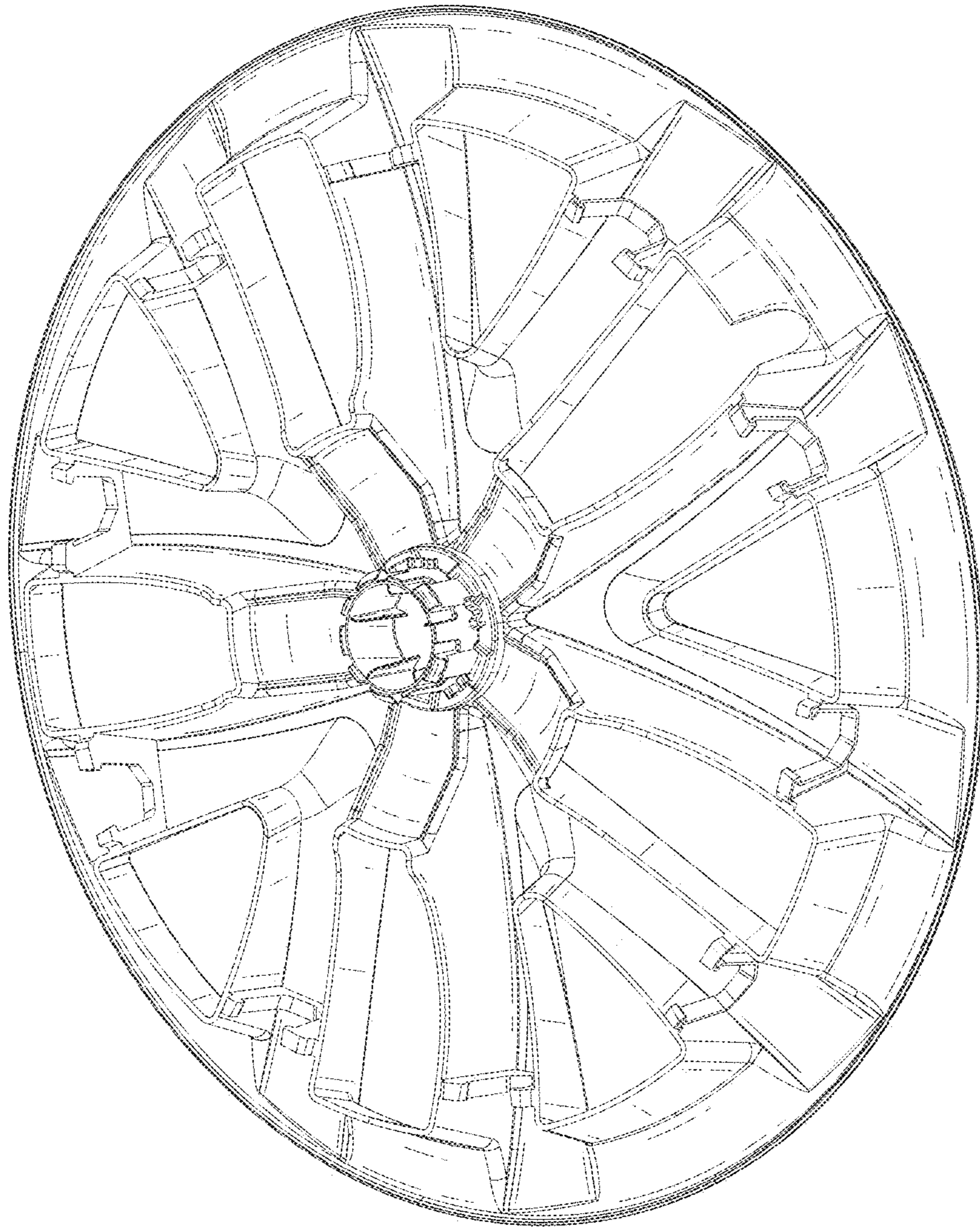


FIG. 8