



US00D986792S

(12) **United States Design Patent**
Greiving

(10) **Patent No.:** **US D986,792 S**

(45) **Date of Patent:** **** May 23, 2023**

(54) **WHEEL**
(71) Applicant: **Wheel Pros, LLC**, Greenwood Village,
CO (US)
(72) Inventor: **Eric Greiving**, Buena Park, CA (US)
(73) Assignee: **Wheel Pros LLC**, Greenwood Village,
CO (US)
(**) Term: **15 Years**

D599,266 S 9/2009 Bierenbreier
D609,622 S * 2/2010 Rider D12/209
D613,659 S 4/2010 Cortes
D619,073 S 7/2010 Groom
D620,864 S 8/2010 Groom
D620,873 S 8/2010 Groom
D625,235 S 10/2010 Nissl
D638,767 S 5/2011 Groom
D666,960 S 9/2012 Chung
D684,516 S 6/2013 Bennion
D704,116 S 5/2014 Chung
(Continued)

(21) Appl. No.: **29/806,566**
(22) Filed: **Sep. 3, 2021**
(51) **LOC (14) Cl.** **12-16**
(52) **U.S. Cl.**
USPC **D12/209**
(58) **Field of Classification Search**
USPC D12/204–213; D21/563
CPC B60B 7/00; B60B 7/02; B60B 7/04; B60B
7/06; B60B 3/02; B60B 3/04; B60B 3/06;
B60B 3/08; B60B 3/10; B60B 1/00;
B60B 1/08; B60B 1/10; B60B 1/12
See application file for complete search history.

FOREIGN PATENT DOCUMENTS

EM 009013808-0001 * 6/2022
GB 9007667217-0001 * 2/2020
IN 331719-001-0001 * 12/2022

OTHER PUBLICATIONS

ALPHAequipt Echo Light Grey Painted, available in TireRack.com,
announced Year 2022 [online], [site visited Feb. 3, 2023], Internet
URL: https://www.tirerack.com/wheels/alphaequipt-echo-light-grey-painted.*

(Continued)

Primary Examiner — Darlington Ly
Assistant Examiner — D. Ryan Tisdale
(74) *Attorney, Agent, or Firm* — Eric Hanscom

(56) **References Cited**

U.S. PATENT DOCUMENTS

D478,542 S 8/2003 Sulahian
D480,347 S * 10/2003 Nemoto D12/211
D487,717 S * 3/2004 Lenz D12/211
D513,486 S 1/2006 Rivera
D516,983 S * 3/2006 Honda D12/209
D528,954 S 9/2006 Laengerer
D538,728 S * 3/2007 Pfeiffer D12/209
D552,525 S 10/2007 Celik
D553,068 S 10/2007 Celik
D576,936 S 9/2008 Imai
D578,457 S 10/2008 Guidry
D589,424 S * 3/2009 Futschik D12/209
D591,217 S * 4/2009 Klein D12/209
D593,919 S * 6/2009 Pfeiffer D12/209

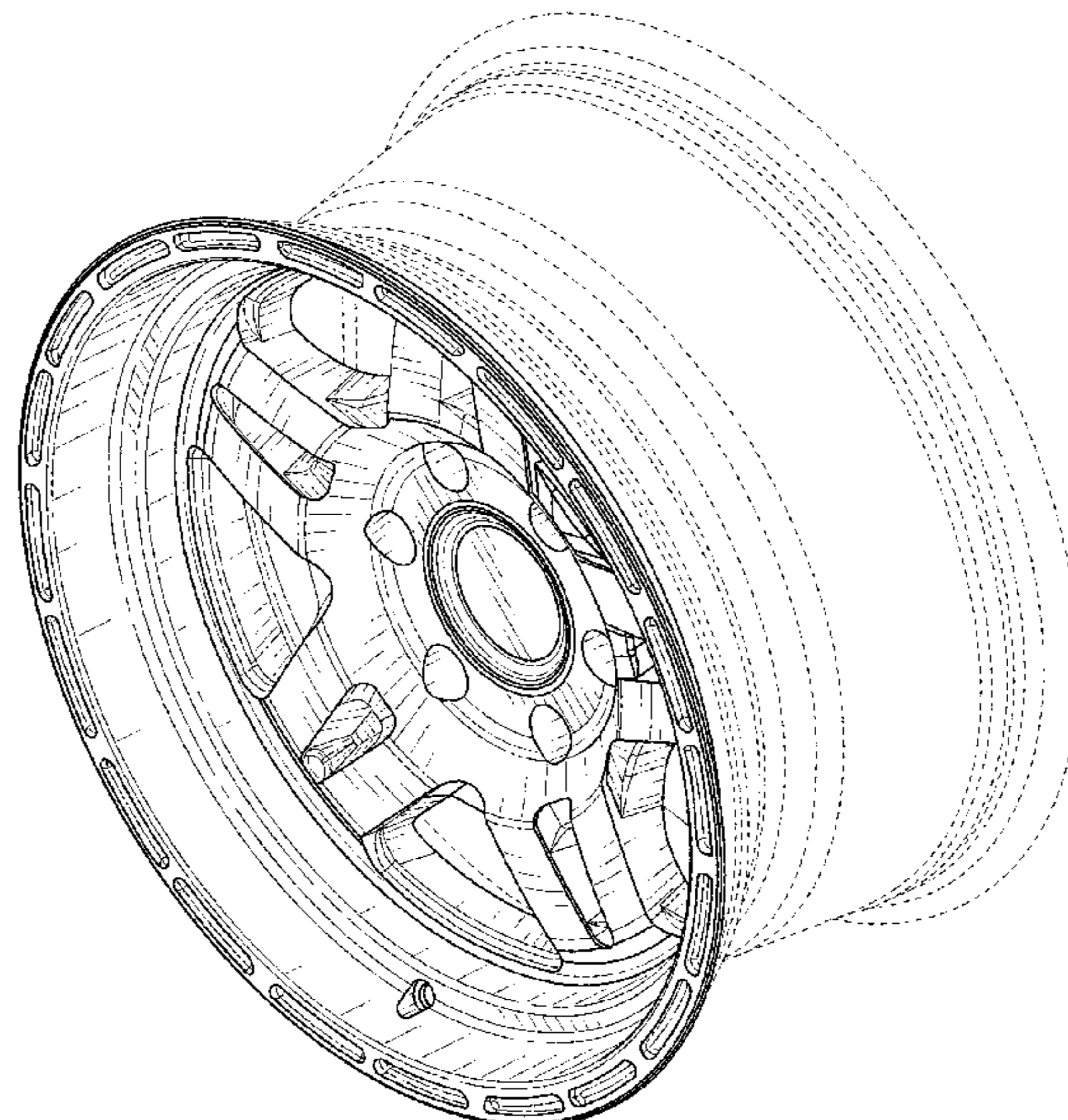
(57) **CLAIM**

The ornamental design for a wheel, as shown and described.

DESCRIPTION

FIG. 1 is a perspective view of a wheel showing my new design; and,
FIG. 2 is a front view thereof.
In the drawings, the broken lines depict portions of the wheel that form no part of the claimed design.

1 Claim, 2 Drawing Sheets



(56)

References Cited

U.S. PATENT DOCUMENTS

D711,807 S 8/2014 Hale
 D714,205 S 9/2014 Hale, Jr.
 D714,705 S 10/2014 Kong
 D714,706 S 10/2014 Chung
 D726,628 S 4/2015 Kong
 D733,027 S 6/2015 Chung
 D735,104 S 7/2015 Hodges
 D739,803 S 9/2015 Miansian
 D748,556 S 2/2016 Valencia Pollex
 D749,030 S 2/2016 Zhao
 D750,003 S 2/2016 Ahmad
 D755,694 S 5/2016 Valencia Pollex
 D756,287 S 5/2016 Koglin
 D764,373 S 8/2016 Valencia Pollex
 D769,166 S 10/2016 Juergens
 D770,960 S 11/2016 Svensson
 D775,578 S 1/2017 Johnson
 D786,160 S * 5/2017 Youssef D12/211
 D841,553 S 2/2019 Chung

D849,653 S 5/2019 Chung
 D849,657 S 5/2019 Kong
 D850,350 S 6/2019 Tran
 D879,005 S * 3/2020 Zelenak D12/211
 D897,258 S 9/2020 Lickliter
 D920,879 S * 6/2021 Hale, Jr. D12/209
 D976,786 S * 1/2023 Koo D12/209
 2022/0063328 A1 * 3/2022 Fattouche B60B 7/061

OTHER PUBLICATIONS

American Racing AR23 Black Painted, available in TireRack.com, announced Year 2022 [online], [site visited Feb. 3, 2023], Internet URL: <https://www.tirerack.com/wheels/american-racing-ar23-black-painted>.*

American Racing AR929 Gloss Black Painted, available in TireRack.com, announced Year 2022 [online], [site visited Feb. 3, 2023], Internet URL: <https://www.tirerack.com/wheels/american-racing-ar929-gloss-black-painted>.*

* cited by examiner

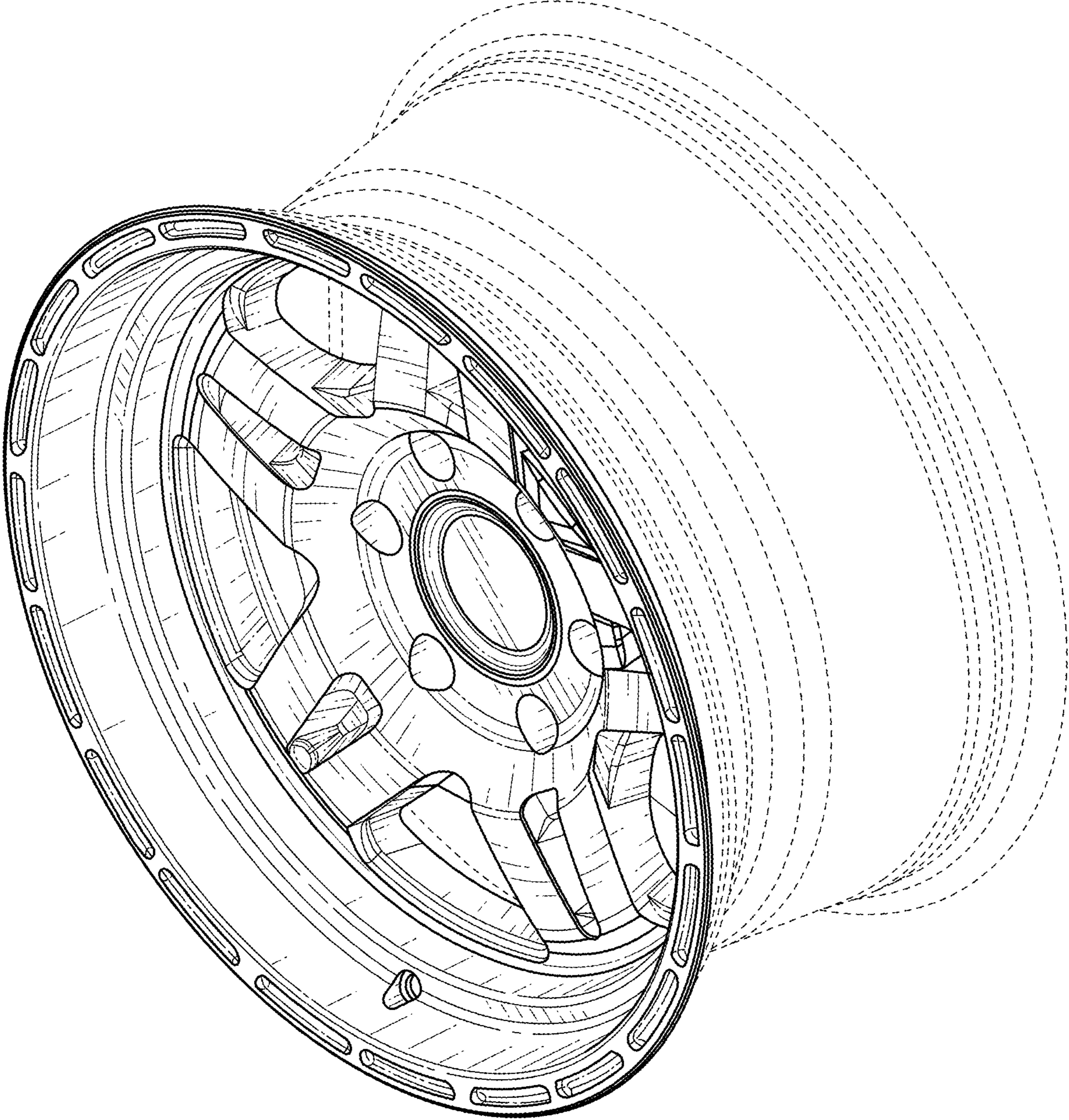


FIG. 1

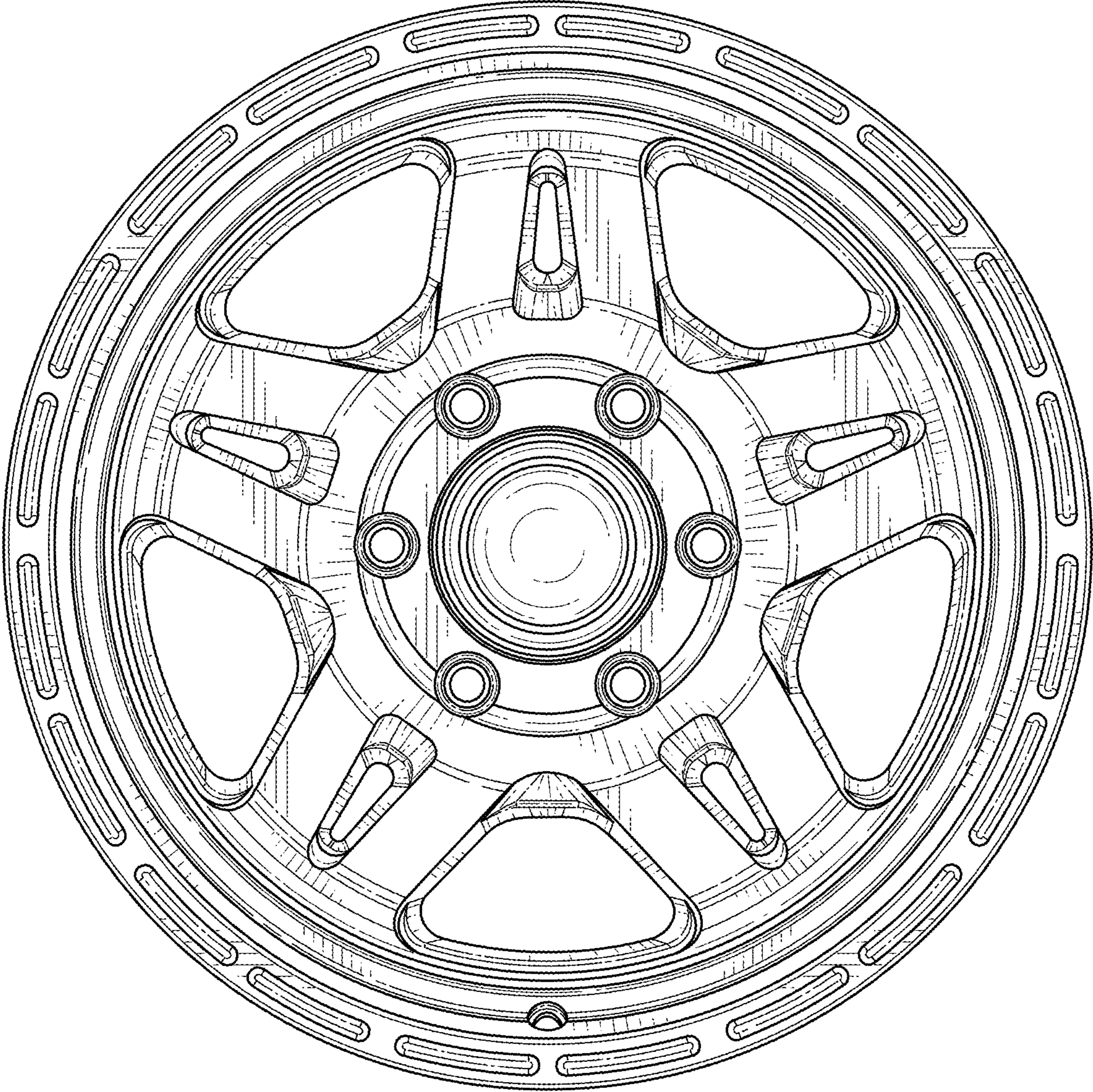


FIG. 2