



US00D986787S

(12) **United States Design Patent** (10) **Patent No.:** **US D986,787 S**
Huang (45) **Date of Patent:** **** May 23, 2023**

(54) **GEARSHIFT KNOB**

OTHER PUBLICATIONS

- (71) Applicant: **Grand General Accessories LLC**,
Rancho Dominguez, CA (US)
- (72) Inventor: **Nan Huang Huang**, Rolling Hills, CA
(US)
- (73) Assignee: **Grand General Accessories LLC**,
Rancho Dominguez, CA (US)
- (**) Term: **15 Years**
- (21) Appl. No.: **29/778,489**
- (22) Filed: **Apr. 13, 2021**
- (51) **LOC (14) Cl.** **12-16**
- (52) **U.S. Cl.**
USPC **D12/179**
- (58) **Field of Classification Search**
USPC D12/174, 179, 415, 413, 416; D21/324,
D21/328, 333
CPC F16H 59/0278; F16H 63/42
See application file for complete search history.

“GG Grand General 93481 Chrome Aluminum Straight Grip with Lines Gearshift Knob” Grand General., posted date Oct. 30, 2020 [online], [retrieved on Mar. 9, 2023]. Retrieved from the Internet <URL:https://www.amazon.com/GG-Grand-General-93481-Gearshift/dp/B08M8XH4DT?th=1> (Year: 2020).*

“Hurst Pistol Grip Handle Black Anodized Finish” Hurst., posted date Jun. 13, 2019 [online], [retrieved on Mar. 9, 2023]. Retrieved from the Internet <URL:https://www.jegs.com/i/Hurst/530/1531001/10002/-1> (Year: 2019).*

“Browning Pistol Grip Gear Shift Knob for Cars” Browning., posted date Jul. 25, 2013 [online], [retrieved on Mar. 9, 2023]. Retrieved from the Internet <URL:https://www.amazon.com/Browning-Pistol-Automatic-Shifter-Vehicles/dp/B00E5NZ6AW> (Year: 2013).*

* cited by examiner

Primary Examiner — Darlington Ly
Assistant Examiner — Nasim Abdulaziz Ali
 (74) *Attorney, Agent, or Firm* — Jen-Feng Lee, Esq.

(56) **References Cited**

U.S. PATENT DOCUMENTS

D464,007 S	*	10/2002	Ligneau	D12/179
D473,501 S	*	4/2003	Yoshida	D12/179
D481,337 S	*	10/2003	Hartono	D12/179
D491,499 S	*	6/2004	Wainwright	D12/179
D562,738 S	*	2/2008	Young	D12/179
D589,418 S	*	3/2009	Klein	D12/174
D606,915 S	*	12/2009	Booker	D12/179
D775,562 S	*	1/2017	Ingenlath	D12/179
D803,115 S	*	11/2017	Baiz	D12/179
D827,523 S	*	9/2018	Stark	D12/179
D906,199 S	*	12/2020	Persson	D12/179
D931,170 S	*	9/2021	Imai	D12/179
D936,540 S	*	11/2021	Bernal	D12/179
D972,990 S	*	12/2022	Hiegel	D12/179

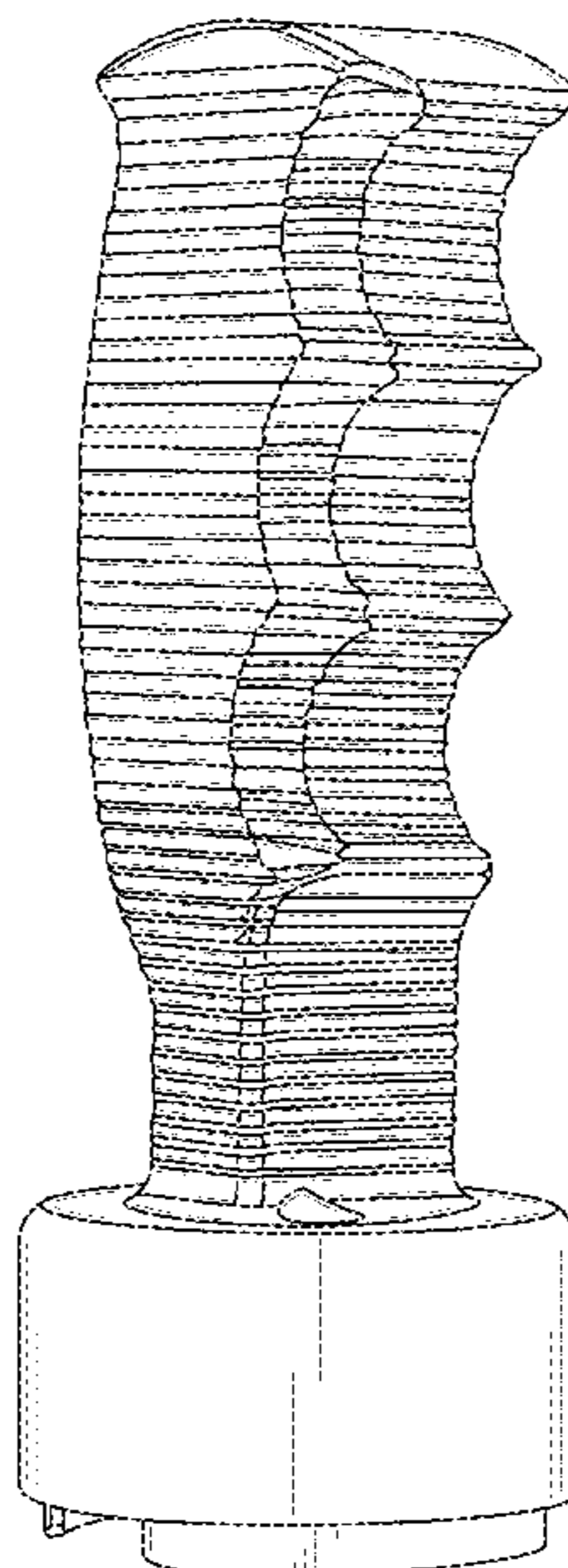
(57) **CLAIM**

I claim the ornamental design for a gearshift knob, as shown and described.

DESCRIPTION

FIG. 1 is a front elevation view of a gearshift knob showing my new design;
 FIG. 2 is a left side elevation view thereof;
 FIG. 3 is a rear elevation view thereof;
 FIG. 4 is a right side elevation view thereof;
 FIG. 5 is a perspective view thereof; and,
 FIG. 6 is a top plan view thereof.

1 Claim, 6 Drawing Sheets



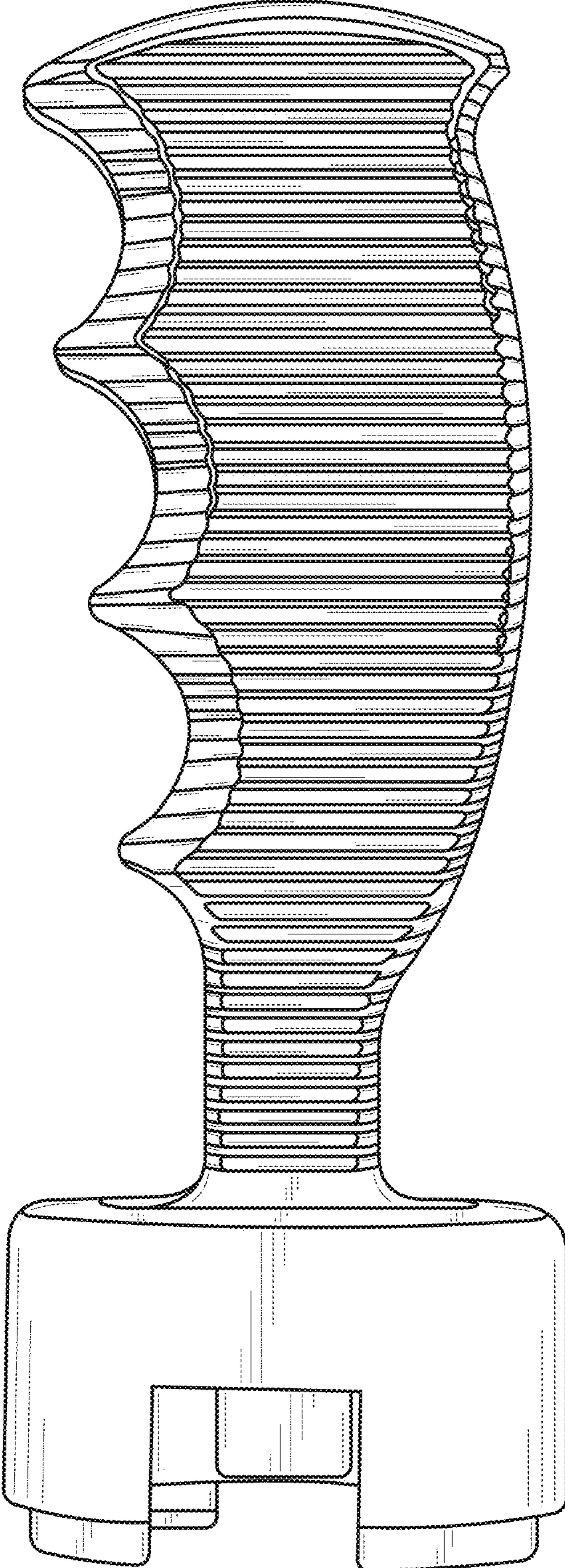


FIG. 1

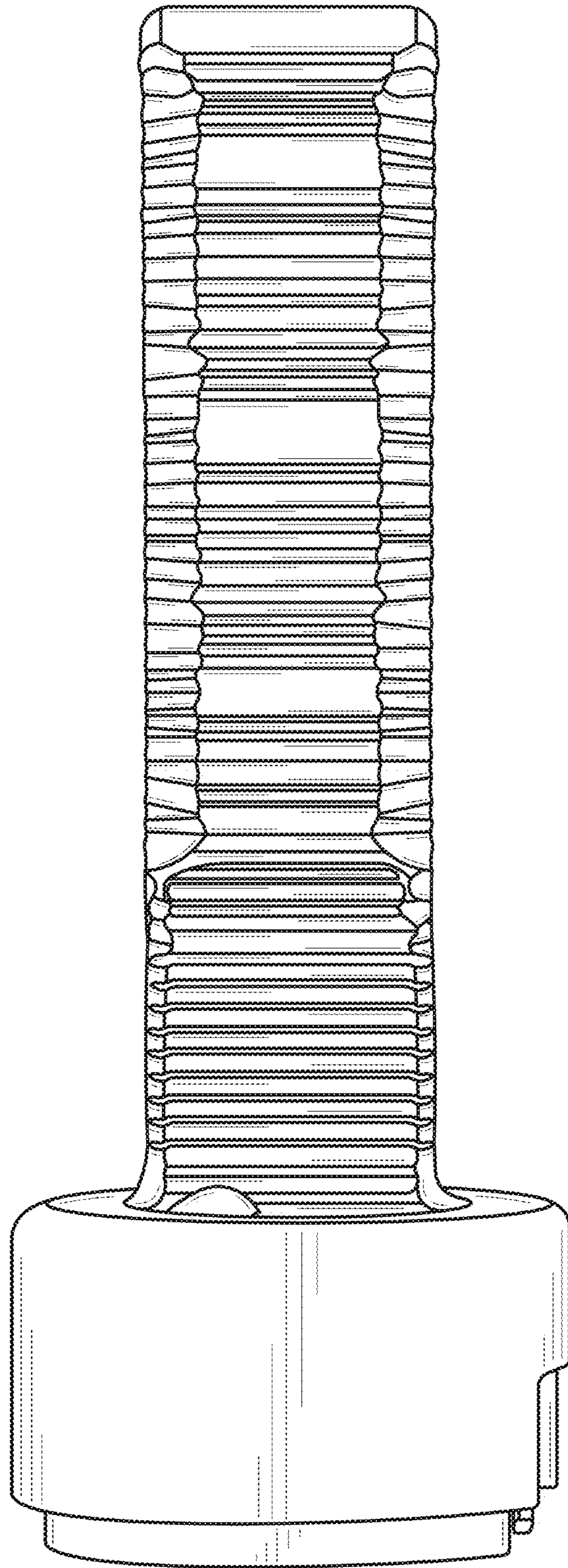


FIG. 2

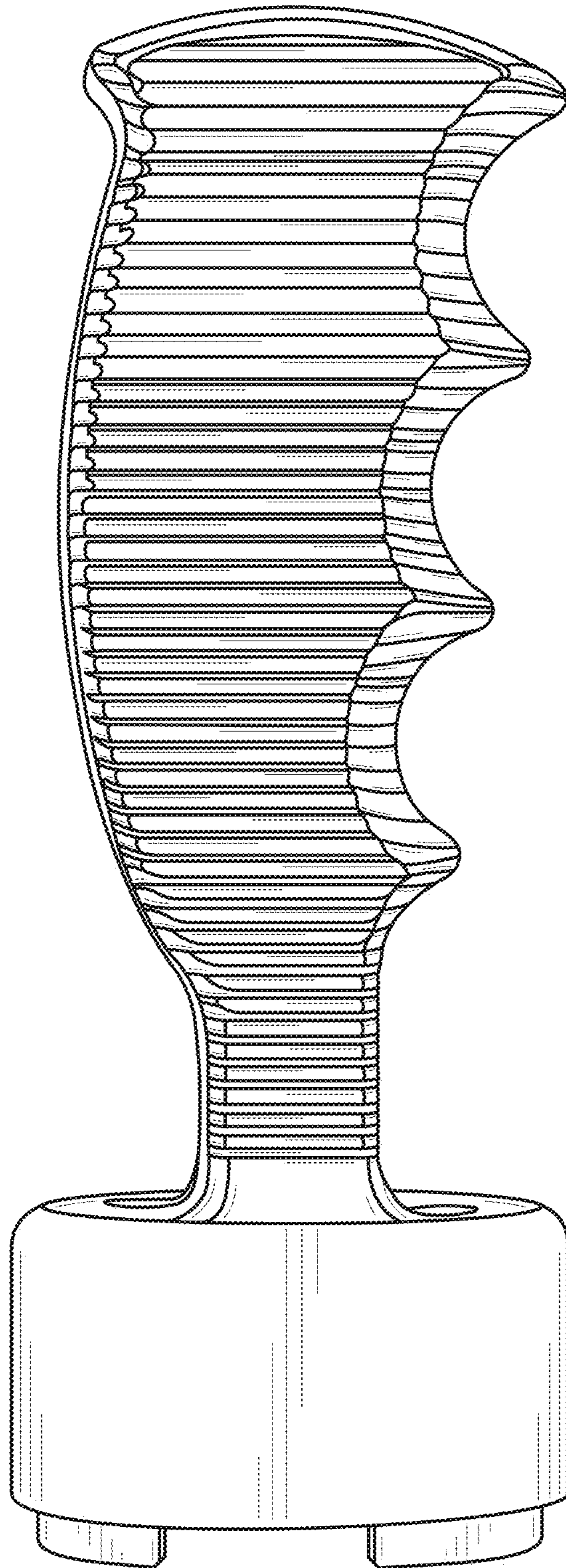


FIG. 3

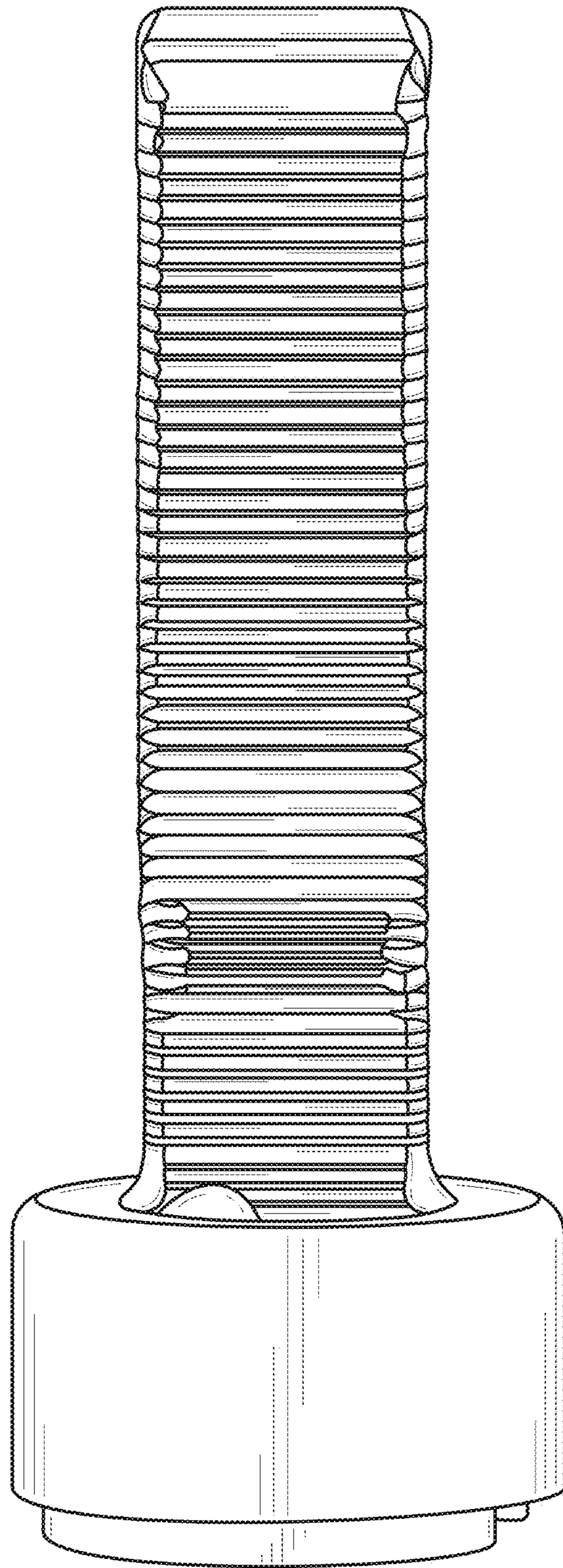


FIG. 4

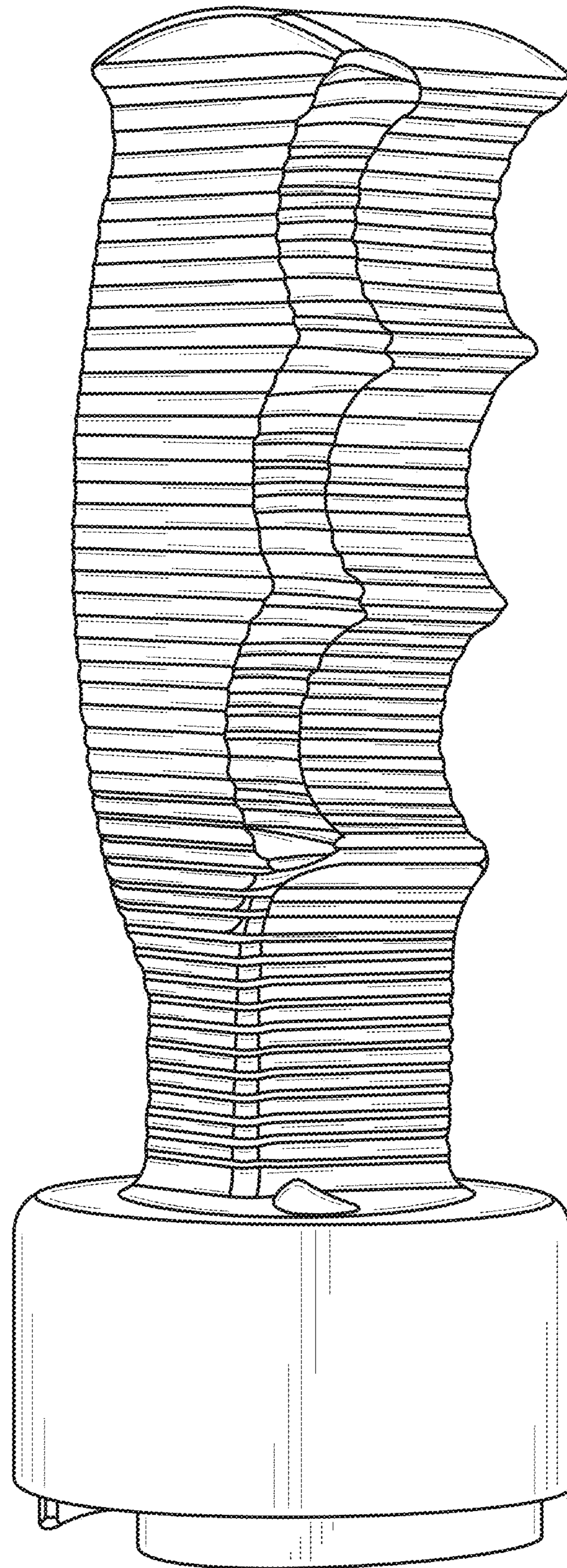


FIG. 5

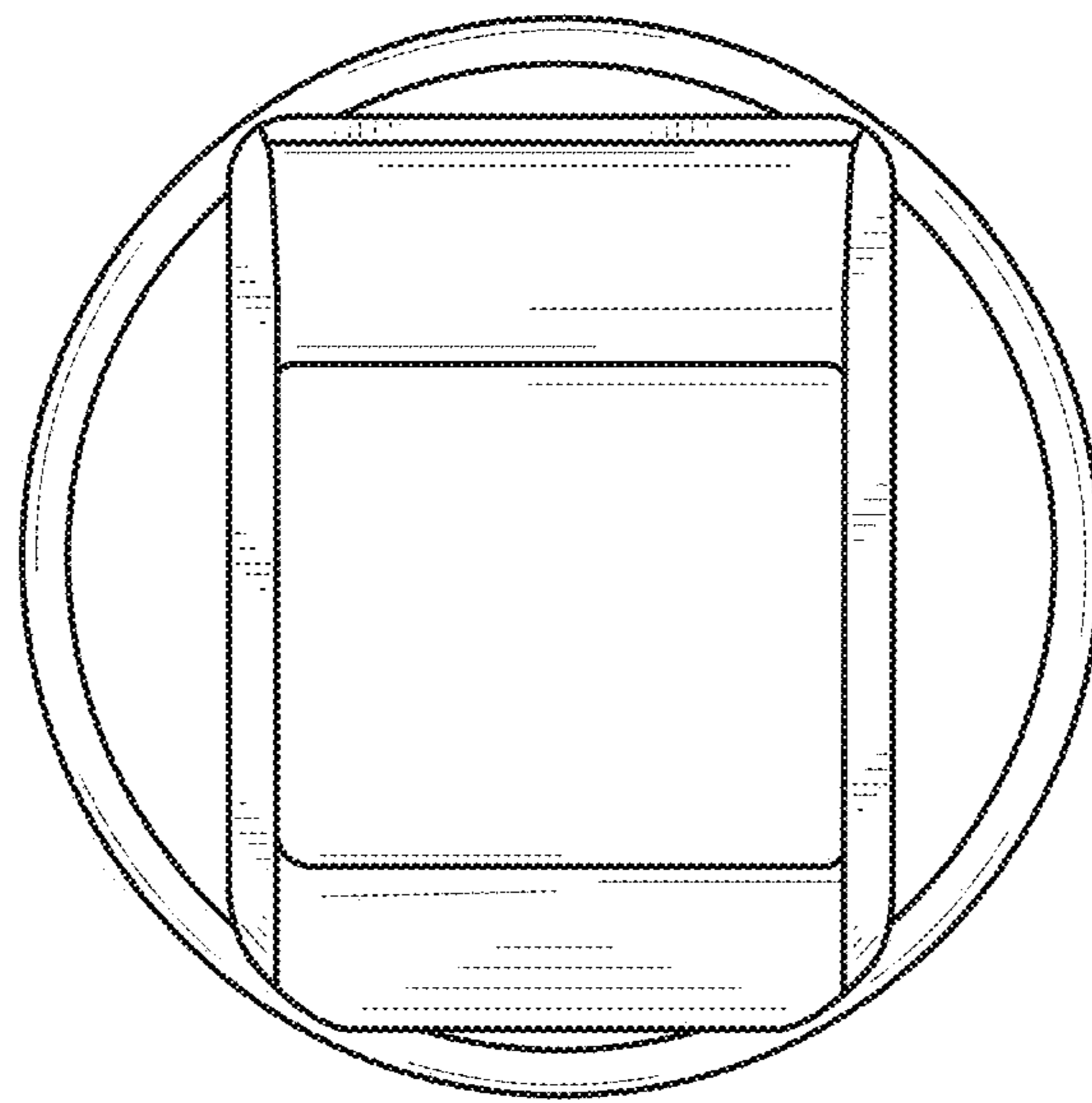


FIG. 6