



US00D986786S

(12) **United States Design Patent** (10) **Patent No.:** **US D986,786 S**  
**Huang** (45) **Date of Patent:** **\*\* May 23, 2023**

(54) **GEARSHIFT KNOB**

OTHER PUBLICATIONS

(71) Applicant: **Grand General Accessories LLC**,  
Rancho Dominguez, CA (US)  
(72) Inventor: **Nan Huang Huang**, Rolling Hills, CA  
(US)  
(73) Assignee: **Grand General Accessories LLC**,  
Rancho Dominguez, CA (US)

“Chrome T-Shaped 1<sup>3</sup>/<sub>18</sub> Speed Gearshift Knob” Grand General.,  
posted date Aug. 27, 2020 [online], [retrieved on Mar. 9, 2023].  
Retrieved from the Internet <URL:https://grandgeneral.com/auto-  
parts/gear-shift-acc/chrome-t-shaped-13-18-speed-gearshift-knob/>  
(Year: 2020).\*

(\*\*) Term: **15 Years**

“Evgatsauto T-Handle Shift Lever Knob” Evgatsauto., posted date  
Aug. 7, 2020 [online], [retrieved on Mar. 9, 2023]. Retrieved from  
the Internet <URL:https://www.amazon.com/T-Handle-Shift-Lever-  
Shape-Shifter/dp/B08FD29FJ6> (Year: 2020).\*

(21) Appl. No.: **29/778,487**

“Aramox Car Shift Knob, Car Shift Gear Knob” Aramox., posted  
date Apr. 30, 2020 [online], [retrieved on Mar. 9, 2023]. Retrieved  
from the Internet <URL:https://www.amazon.com/Shaped-Universal-  
Automatic-Shifter-Replacement/dp/B087WWJN7P?th=1> (Year:  
2020).\*

(22) Filed: **Apr. 13, 2021**

(51) **LOC (14) Cl.** ..... **12-16**

\* cited by examiner

(52) **U.S. Cl.**  
USPC ..... **D12/179**

(58) **Field of Classification Search**  
USPC ..... D12/174, 179, 415, 413, 416; D21/324,  
D21/328, 333  
CPC ..... F16H 59/0278; F16H 63/42  
See application file for complete search history.

*Primary Examiner* — Darlington Ly  
*Assistant Examiner* — Nasim Abdulaziz Ali  
(74) *Attorney, Agent, or Firm* — Jen-Feng Lee, Esq.

(56) **References Cited**

(57) **CLAIM**

I claim the ornamental design for a gearshift knob, as shown  
and described.

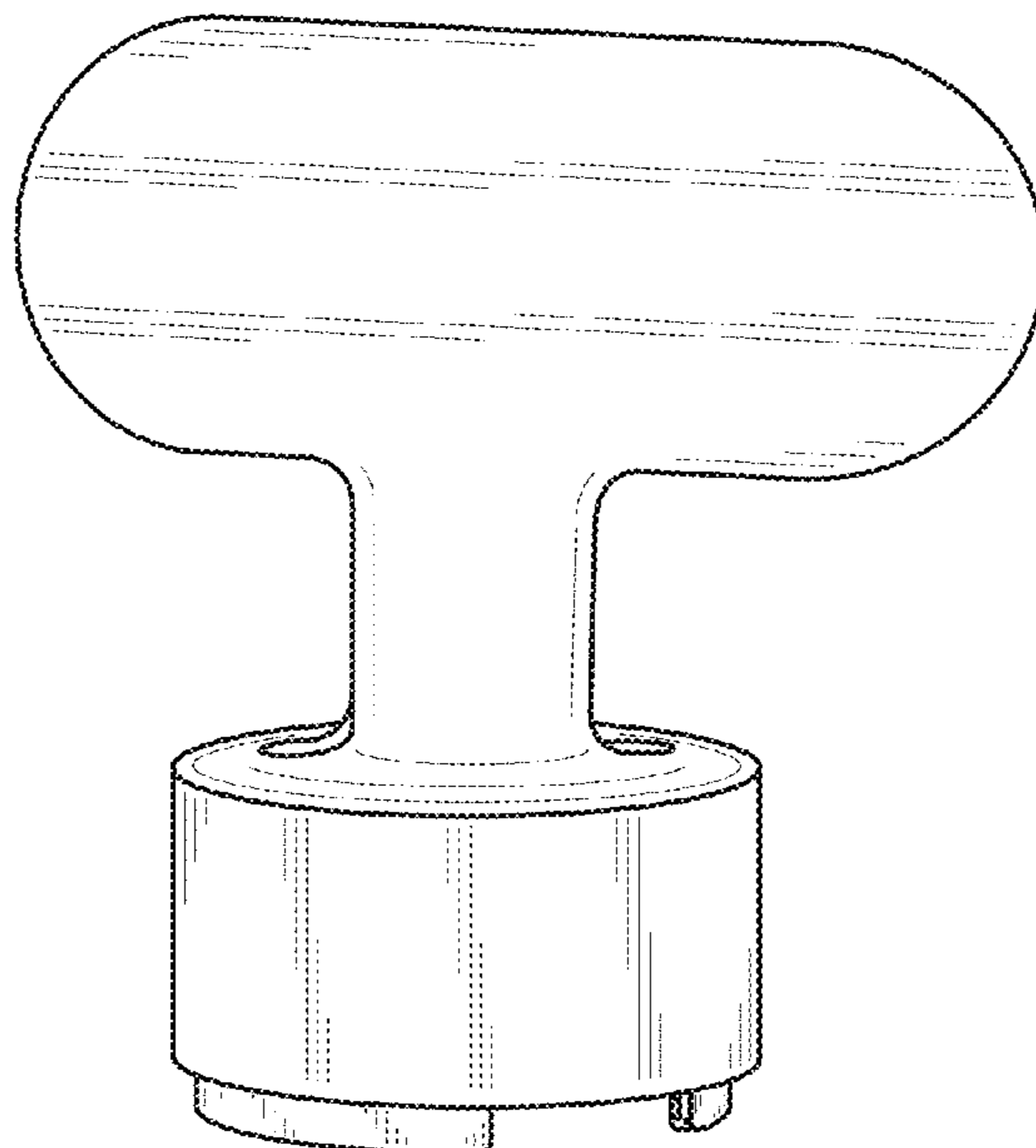
U.S. PATENT DOCUMENTS

D464,007 S	*	10/2002	Ligneau	.....	D12/179
D473,501 S	*	4/2003	Yoshida	.....	D12/179
D481,337 S	*	10/2003	Hartono	.....	D12/179
D491,499 S	*	6/2004	Wainwright	.....	D12/179
D562,738 S	*	2/2008	Young	.....	D12/179
D589,418 S	*	3/2009	Klein	.....	D12/174
D606,915 S	*	12/2009	Booker	.....	D12/179
D775,562 S	*	1/2017	Ingenlath	.....	D12/179
D803,115 S	*	11/2017	Baiz	.....	D12/179
D827,523 S	*	9/2018	Stark	.....	D12/179
D906,199 S	*	12/2020	Persson	.....	D12/179
D931,170 S	*	9/2021	Imai	.....	D12/179
D936,540 S	*	11/2021	Bernal	.....	D12/179
D972,990 S	*	12/2022	Hiegel	.....	D12/179

**DESCRIPTION**

FIG. 1 is a front elevation view of a gearshift knob showing  
my new design;  
FIG. 2 is a perspective view thereof;  
FIG. 3 is a right side elevation view thereof;  
FIG. 4 is a rear elevation view thereof;  
FIG. 5 is a left side elevation view thereof; and,  
FIG. 6 is a top plan view thereof.

**1 Claim, 6 Drawing Sheets**



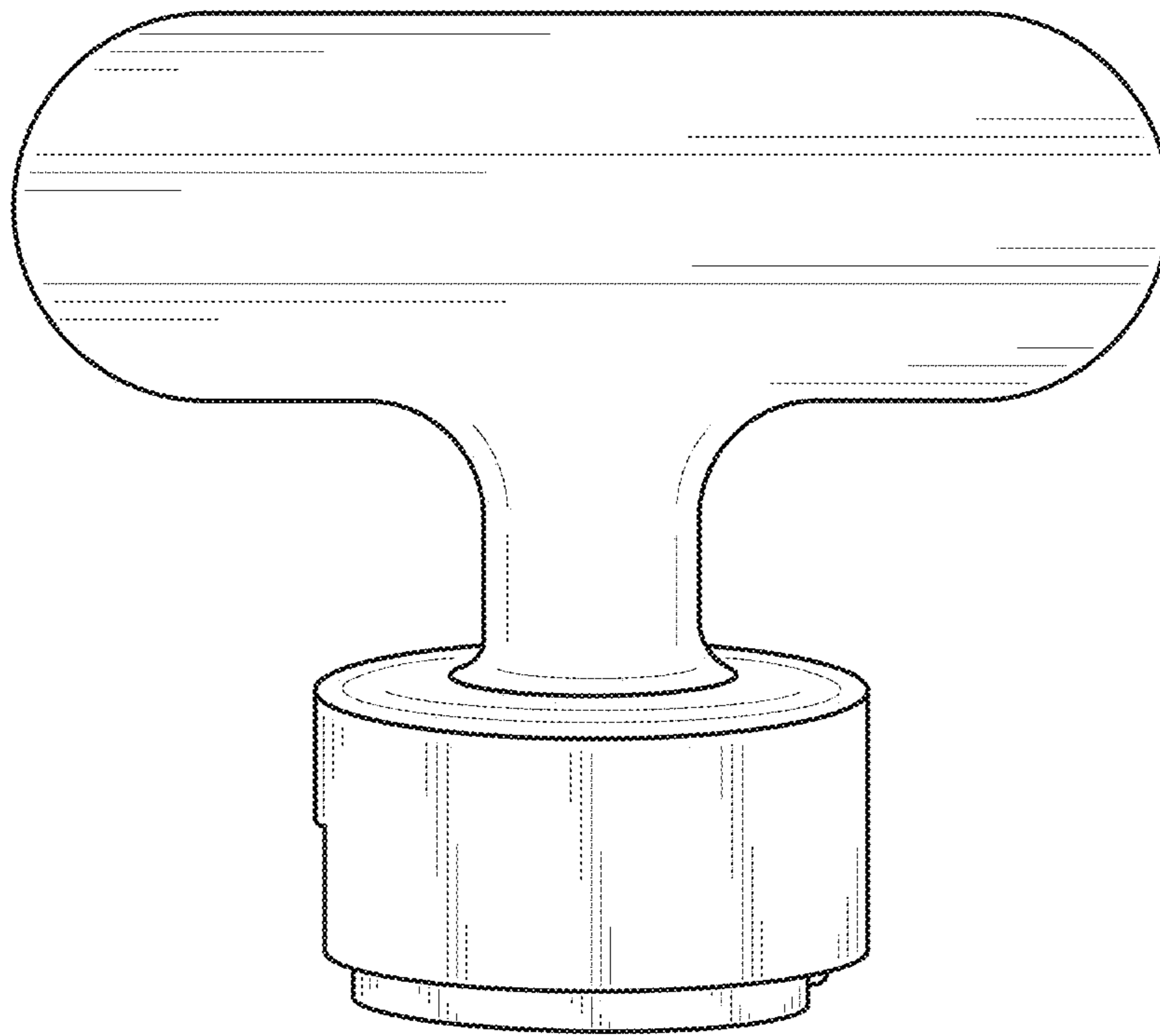


FIG. 1

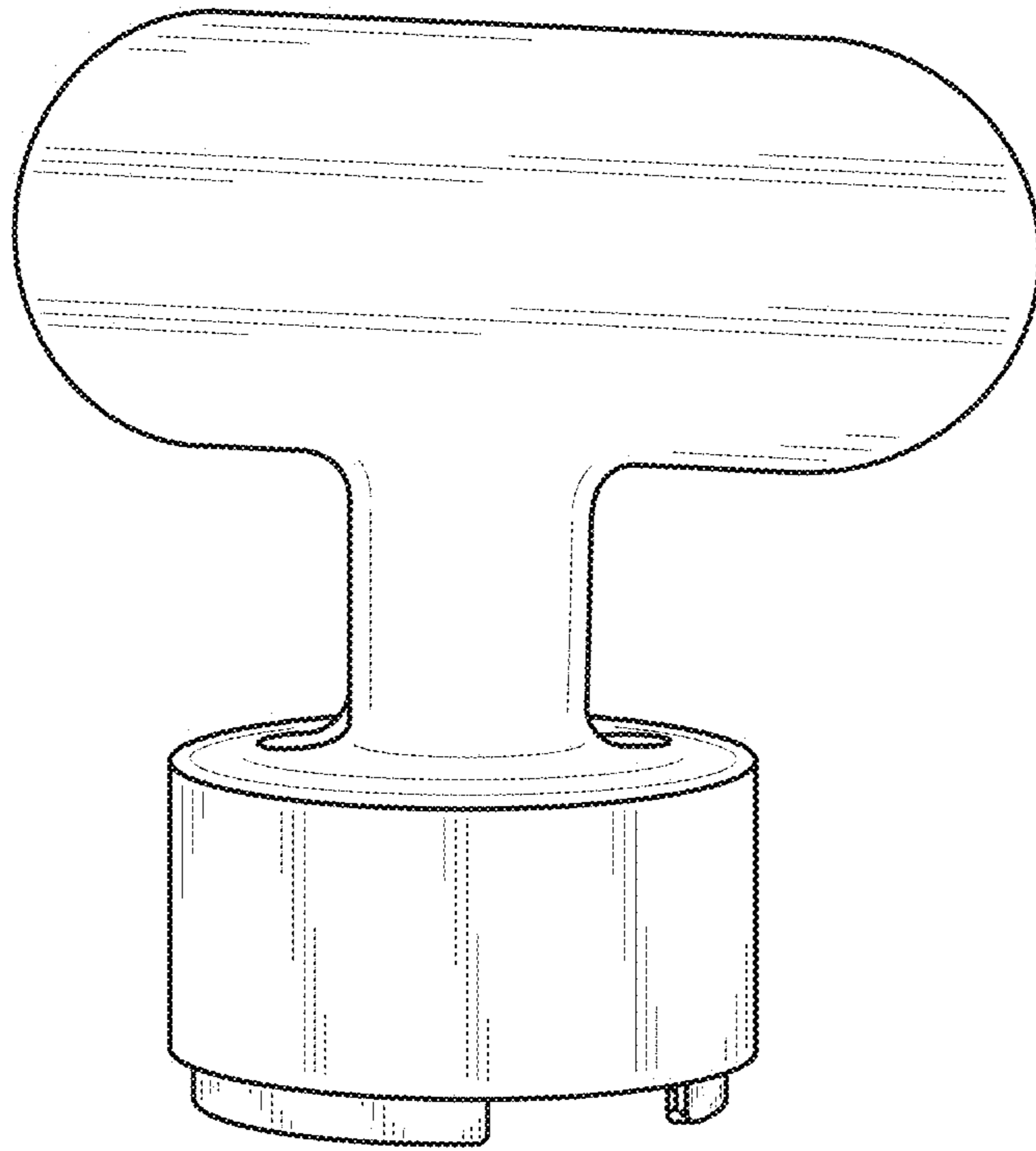


FIG. 2

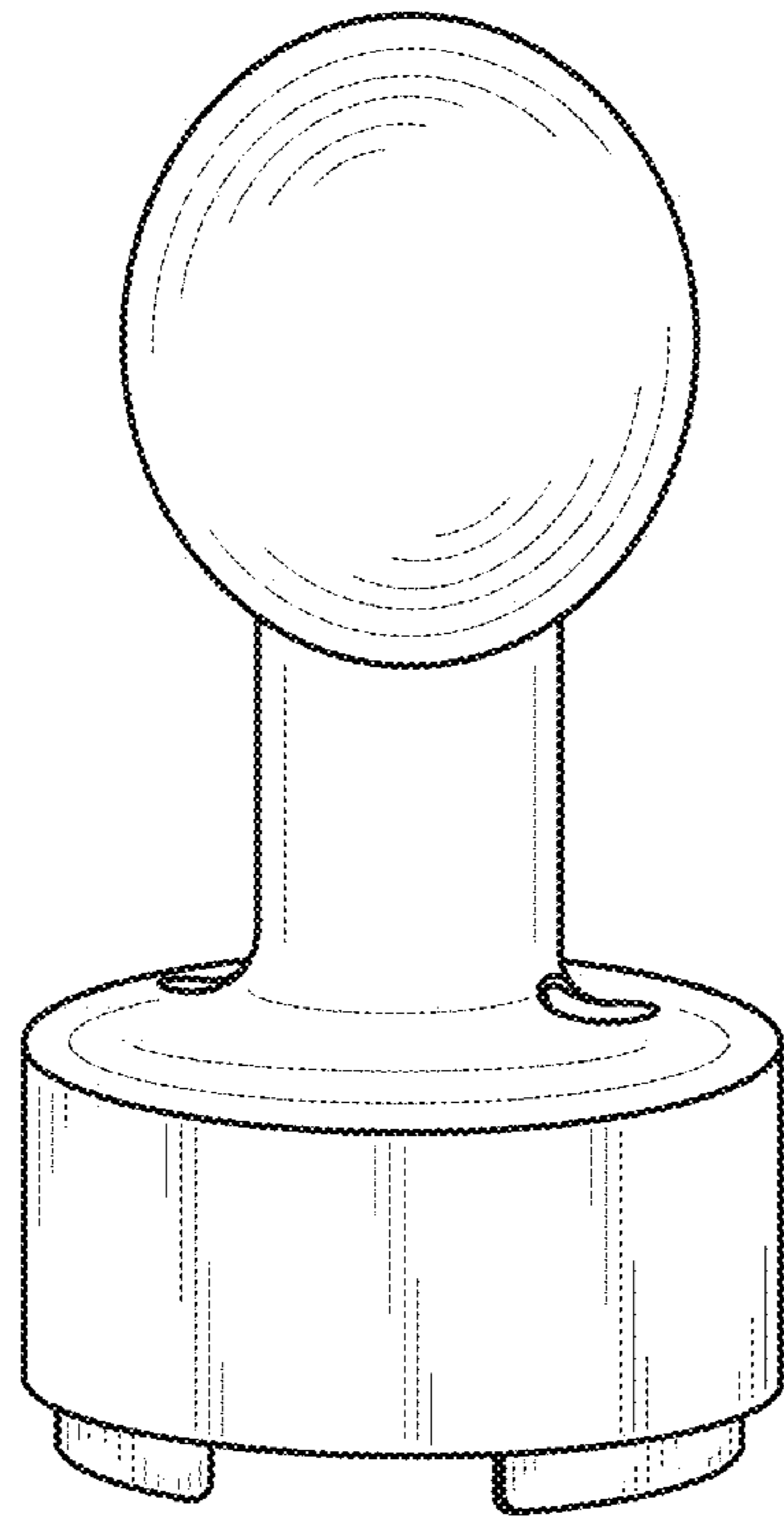


FIG. 3

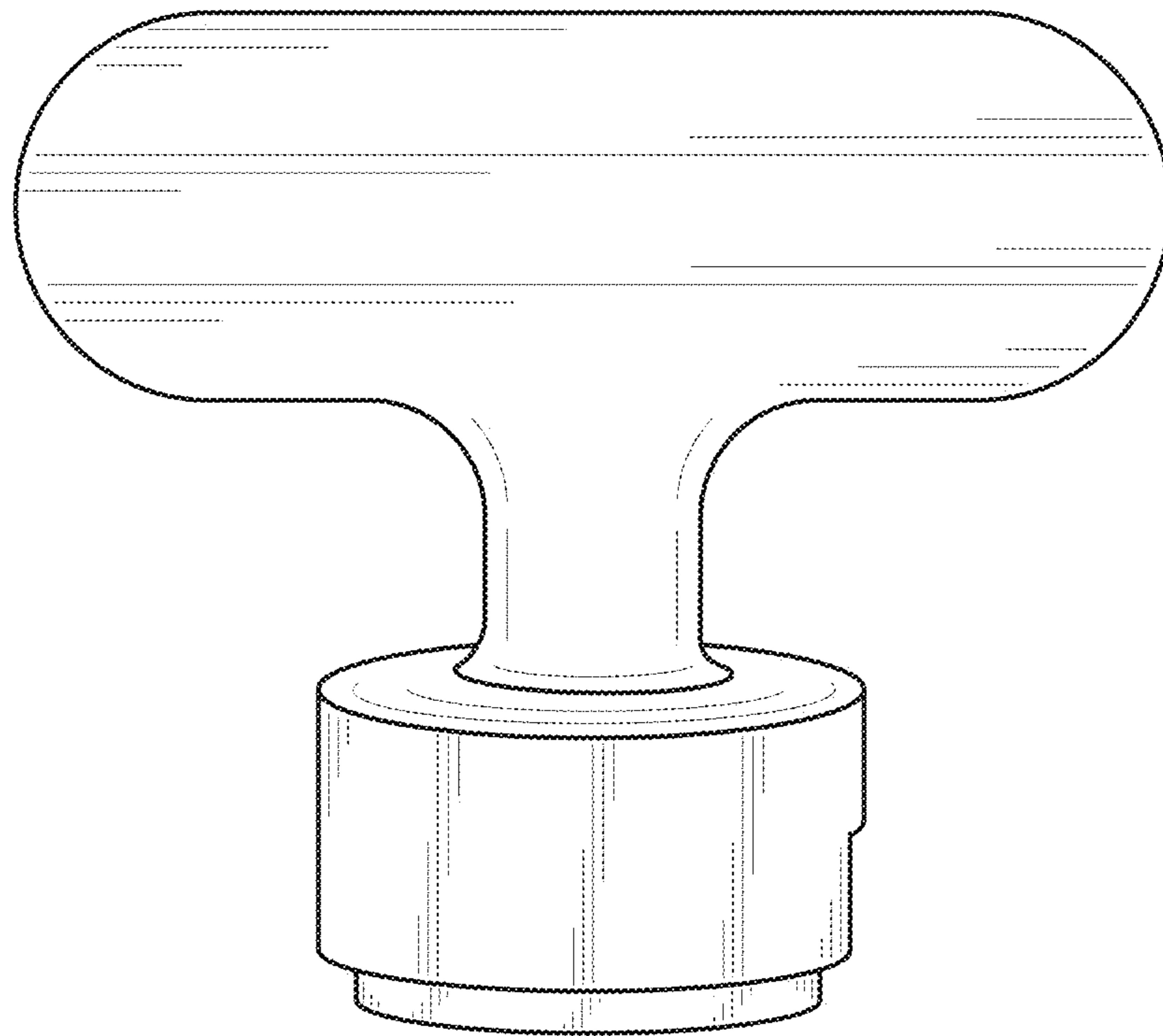


FIG. 4

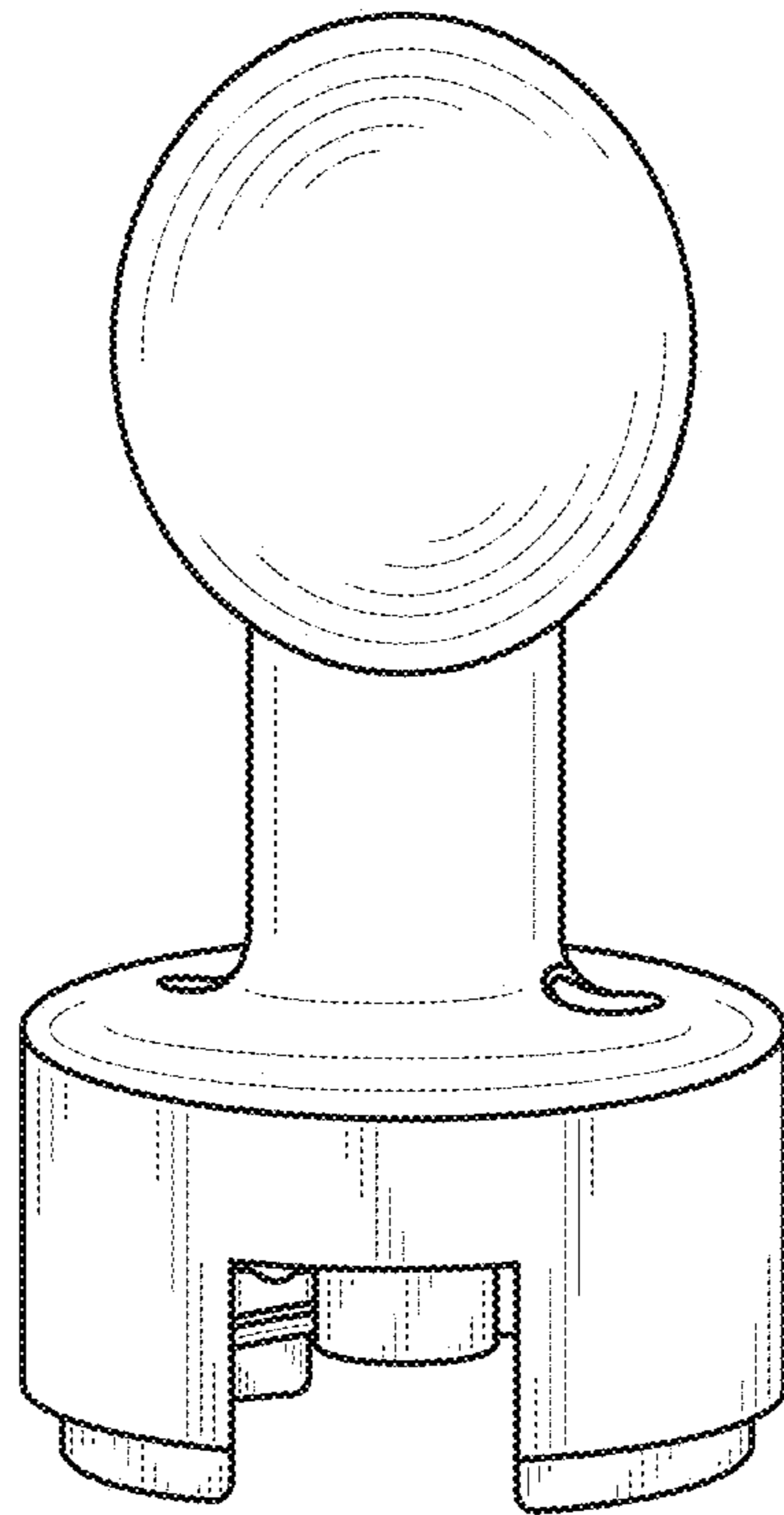


FIG. 5

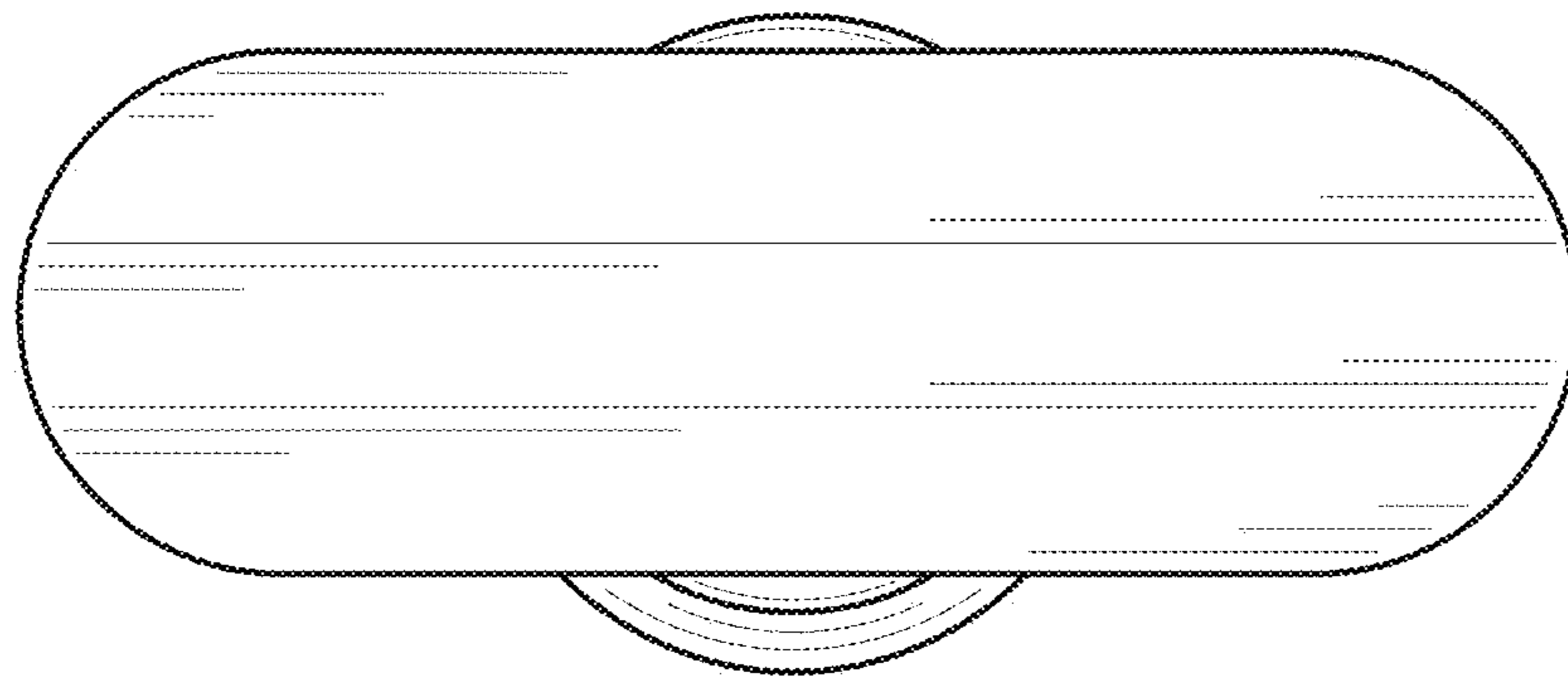


FIG. 6