



US00D986782S

(12) **United States Design Patent**
Zhou

(10) **Patent No.:** **US D986,782 S**

(45) **Date of Patent:** **** May 23, 2023**

(54) **BOAT FENDER**

(71) Applicant: **Guangzhou Qingkuai E-commerce Co., Ltd.**, Guangzhou (CN)

(72) Inventor: **Liqun Zhou**, Guangzhou (CN)

(73) Assignee: **GUANGZHOU QINGKUI E-COMMERCE CO., LTD.**, Guangzhou (CN)

(**) Term: **15 Years**

(21) Appl. No.: **29/803,395**

(22) Filed: **Aug. 12, 2021**

(30) **Foreign Application Priority Data**

Jul. 2, 2021 (CN) 202130416233.0

(51) **LOC (14) Cl.** **12-16**

(52) **U.S. Cl.**
USPC **D12/168**

(58) **Field of Classification Search**
USPC D12/167, 168, 300, 316, 317; D25/35, D25/803; D10/107

CPC B63B 22/00; B63B 59/02
See application file for complete search history.

(56) **References Cited**

U.S. PATENT DOCUMENTS

- D299,915 S * 2/1989 Ullman D12/168
- 4,841,893 A * 6/1989 Ellison E02B 3/26
114/220
- 5,016,554 A * 5/1991 Harris, Jr. E02B 3/26
114/220
- 5,462,001 A * 10/1995 Lemelson B63B 34/54
114/144 R
- D485,399 S * 1/2004 Nazimek D6/601
- D510,895 S * 10/2005 Nelson D12/168
- 6,951,181 B1 * 10/2005 Lemke B63B 59/02
114/219

- D535,607 S * 1/2007 Awashima D12/317
- D576,087 S * 9/2008 Schlinkert D12/168
- 8,534,212 B1 * 9/2013 Worsley B63B 59/02
114/364
- 9,027,495 B2 * 5/2015 Marshall F16G 11/14
114/219
- D762,530 S * 8/2016 Karpinski D12/168
- D807,665 S * 1/2018 Vega-Woller D6/596
- D856,863 S * 8/2019 Clover D12/168
- 10,640,184 B1 * 5/2020 Acosta B63B 59/02
- D944,692 S * 3/2022 Yang D12/168

(Continued)

OTHER PUBLICATIONS

Affordura PWC Fender Bumper for Jet Ski, Dec. 7, 2020, Amazon[online], [Site Visit Mar. 7, 2023], URL: Affordura PWC Fender Bumper with Elastic Cords 2X 18.5 inch for Yamaha Jet Ski Bumpers Dock Bumpers PWC Bumper for Docking 14 x 6 x 3.2 inch (amazon.com) (2020) (Year: 2020).*

(Continued)

Primary Examiner — Calvin E Vansant

Assistant Examiner — Giang Hoang Tran

(74) *Attorney, Agent, or Firm* — Innovation Capital Law Group, LLP; Vic Lin

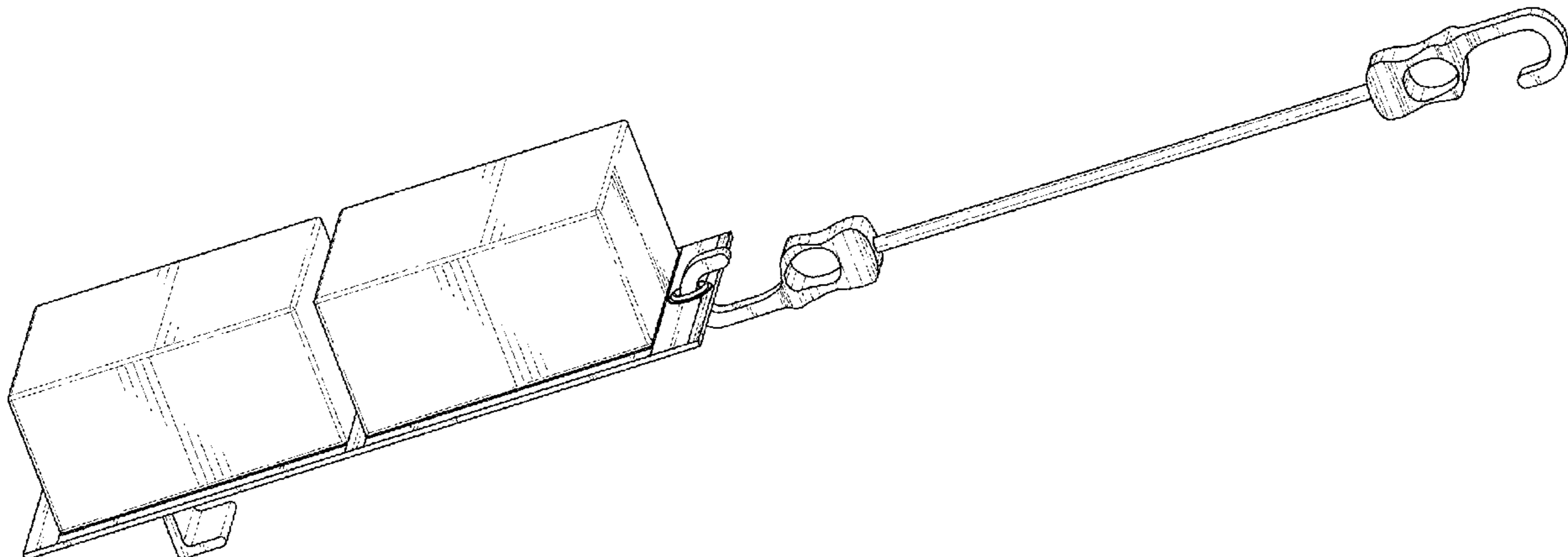
(57) **CLAIM**

The ornamental design for a boat fender, as shown and described.

DESCRIPTION

FIG. 1 is a left side elevation view of a boat fender, showing my new design;
FIG. 2 is a right side elevation view thereof;
FIG. 3 is a top plan view thereof;
FIG. 4 is a bottom plan view thereof;
FIG. 5 is a front elevation view thereof;
FIG. 6 is a rear elevation view thereof; and,
FIG. 7 is a top perspective view thereof.

1 Claim, 4 Drawing Sheets



(56)

References Cited

U.S. PATENT DOCUMENTS

2019/0054986 A1* 2/2019 Belanger B63C 9/28
2021/0009241 A1* 1/2021 Gates B63B 59/045
2021/0331772 A1* 10/2021 Norling B63B 59/02
2022/0119080 A1* 4/2022 Steiner, Sr. B63B 21/04

OTHER PUBLICATIONS

Affordura PWC Fender Bumper with Elastic, Aug. 6, 2021, Amazon[online], [Site Visit Mar. 7, 2023], URL: <https://www.amazon.com/Affordura-Fender-Bumper-Elastic-Cords/dp/B09C1Q2X9V> (2021) (Year: 2021).*

Yamaha MAR-HHFND-ER-BK, PartsPak [online], [Site Visit Mar. 7, 2023], URL: https://www.partspak.com/productcart/pc/viewPrd.asp?idproduct=195090&gclid=EA1a1QobChMlvYGQnqjK_QIVYfbjBx26iAesEAQYAyABEgKexfD_BwE (2023) (Year: 2023).*

* cited by examiner

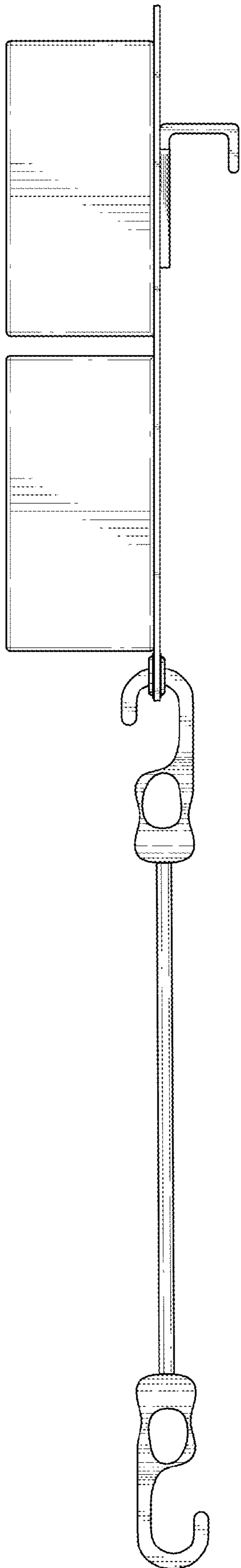


FIG. 1

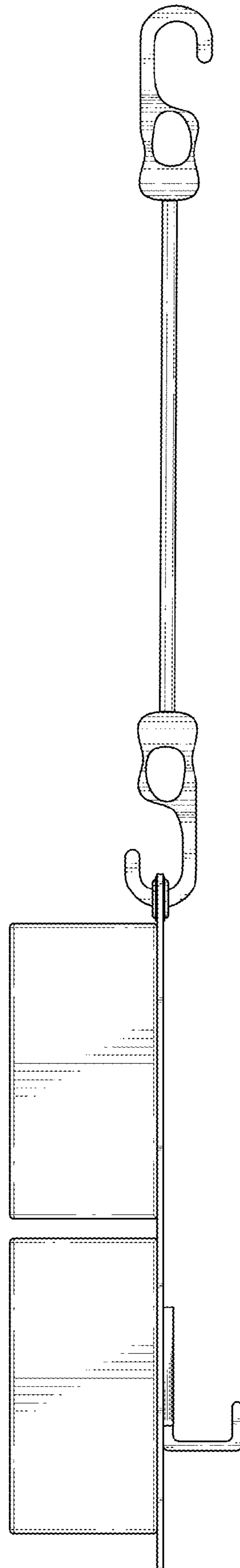


FIG. 2

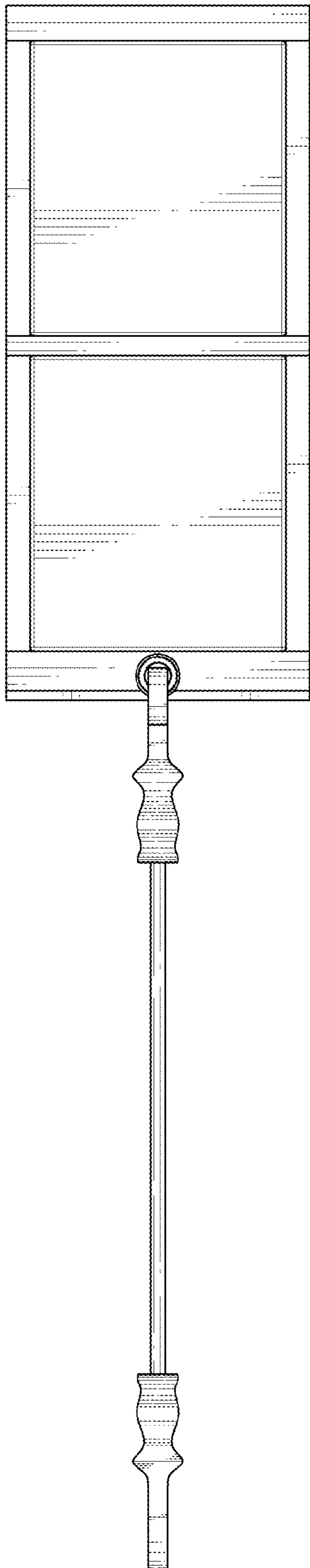


FIG. 3

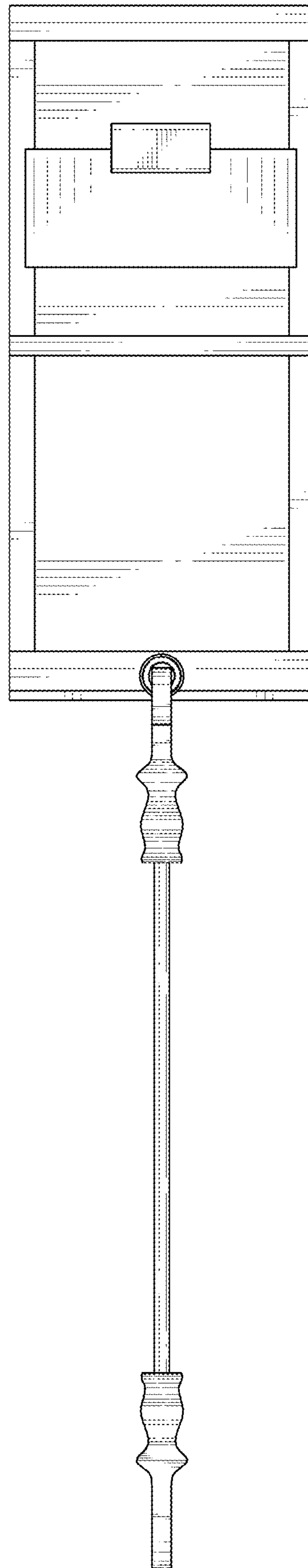


FIG. 4

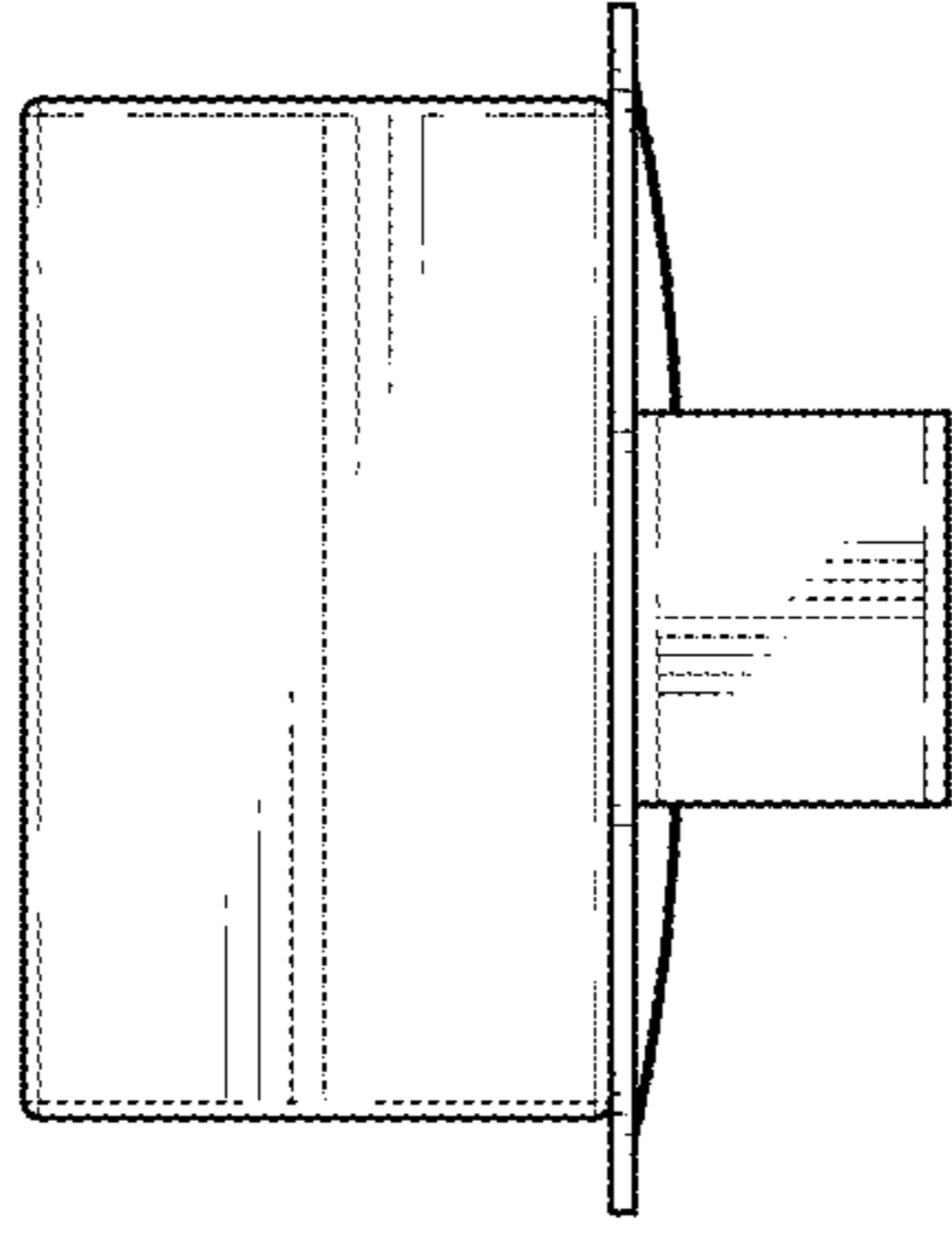


FIG. 6

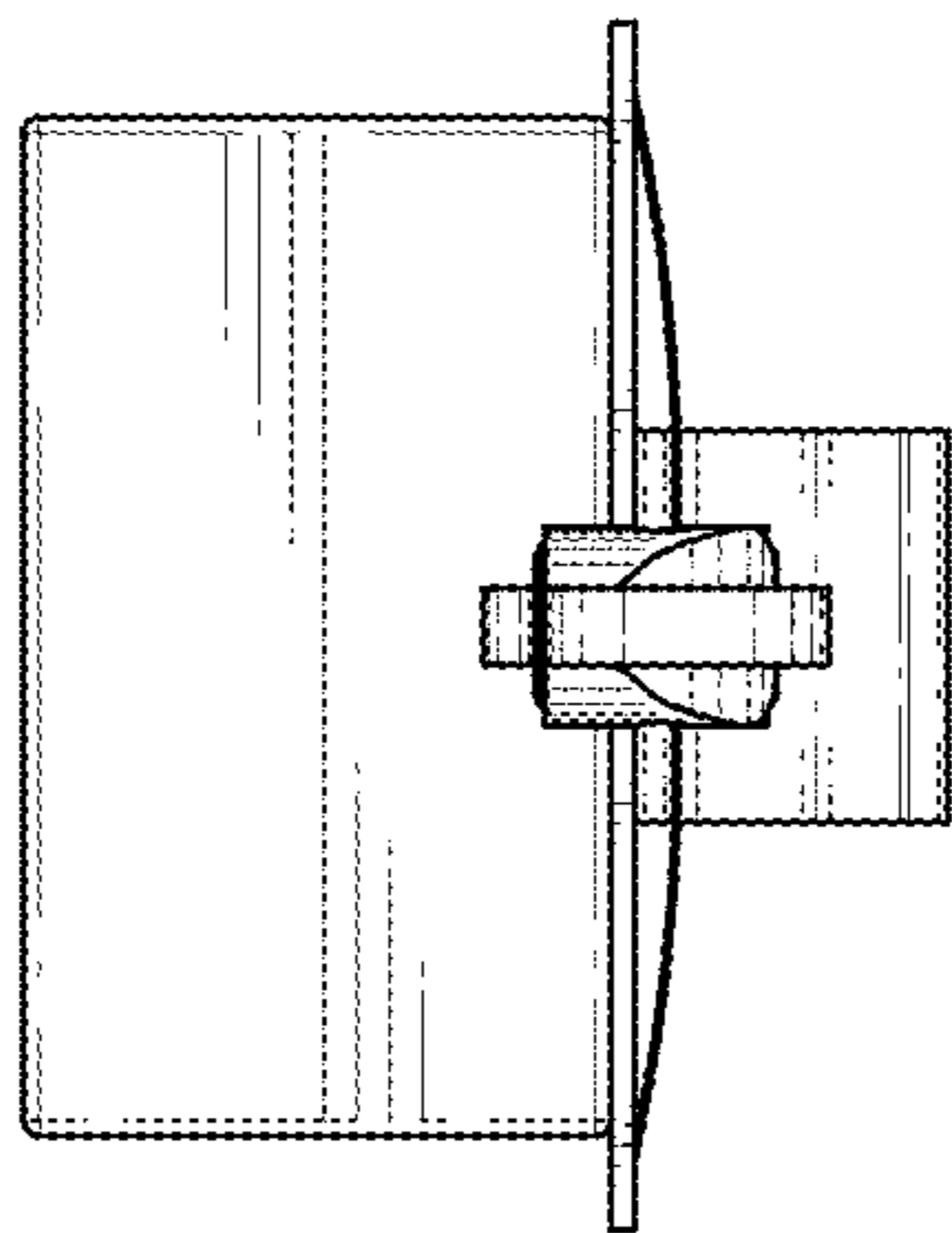


FIG. 5

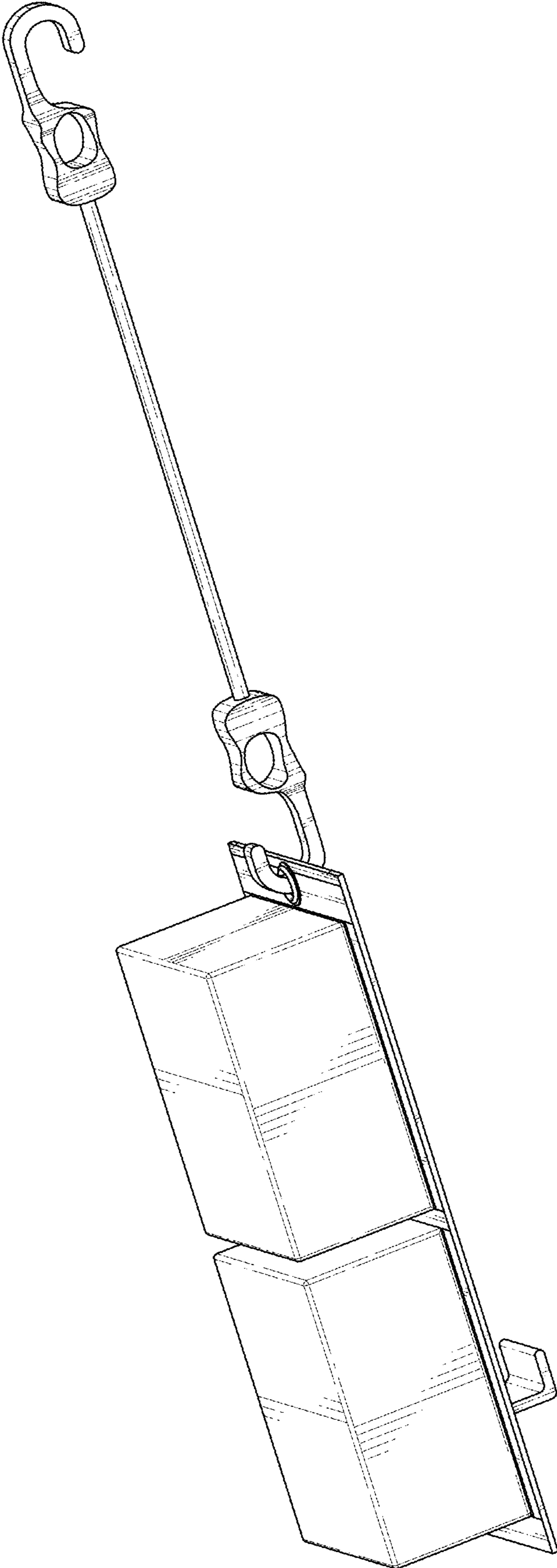


FIG. 7