



US00D986779S

(12) **United States Design Patent**  
**Neufeld et al.**

(10) **Patent No.:** **US D986,779 S**

(45) **Date of Patent:** **\*\* May 23, 2023**

(54) **GOOSENECK TRAILER HITCH TONGUE**

(71) Applicant: **HORIZON TRAILERS LLC**, El Paso, TX (US)

(72) Inventors: **Bernhard Loewen Neufeld**, Riva Palacio (MX); **Antonio Marquez Palacios**, Riva Palacio (MX); **Jacob Loewen Neufeld**, Riva Palacio (MX)

(73) Assignee: **Horizon Trailers LLC**, El Paso, TX (US)

(\*\*) Term: **15 Years**

(21) Appl. No.: **29/872,781**

(22) Filed: **Mar. 17, 2023**

(51) **LOC (14) Cl.** ..... **12-16**

(52) **U.S. Cl.**  
USPC ..... **D12/162**

(58) **Field of Classification Search**  
USPC ... D12/1, 14, 15, 90, 91, 92, 93, 94, 97, 98, D12/99, 100, 101, 102, 103, 104, 105, D12/106, 162, 190, 196; D21/431, 537, D21/554, 561; D15/10, 11, 13, 19, 21, D15/28, 33  
CPC .... B62D 63/08; B62D 53/061; B62D 53/062; B62D 53/065; B62D 53/08; B62D 53/0828; B62D 21/02; B62D 21/20; B60P 1/43; B60P 1/56; B60P 1/433; B60P 3/06; B60D 1/01; B60D 1/015; B60D 1/28; B60D 1/52; B60D 1/143

See application file for complete search history.

(56) **References Cited**

**U.S. PATENT DOCUMENTS**

D184,622 S \* 3/1959 Hodges, Jr. .... D12/97  
D208,535 S \* 9/1967 Moll ..... D12/162  
D237,169 S \* 10/1975 Hill ..... D12/162  
3,945,668 A 3/1976 Holland

D243,000 S \* 1/1977 Carnes ..... D12/162  
4,119,328 A 10/1978 Rhodes  
D267,559 S \* 1/1983 Wormser ..... D12/101  
D355,878 S \* 2/1995 Jenkins ..... D12/162  
D375,923 S \* 11/1996 McCoy ..... D12/162  
D480,022 S \* 9/2003 Higginson ..... D12/101  
D785,506 S \* 5/2017 Studebaker, Jr. .... D12/101  
D838,211 S \* 1/2019 Crabb ..... D12/101  
D933,533 S \* 10/2021 Etzelsberger ..... D12/101  
D941,711 S \* 1/2022 Aulick ..... D12/101  
2012/0056406 A1 3/2012 Trowbridge

(Continued)

**OTHER PUBLICATIONS**

Legacy Dump Trailer, Published date unavailable [online], [retrieved on Mar. 24, 2023]. Retrieved from the Internet: <https://www.horizontrailers.com/hz7-legacy-dump> (Year: 2023).\*

(Continued)

*Primary Examiner* — Cary M Robinson

*Assistant Examiner* — Adam C Mager

(74) *Attorney, Agent, or Firm* — Trendak IP Law LLC; Paul N. Dunlap, Esq.

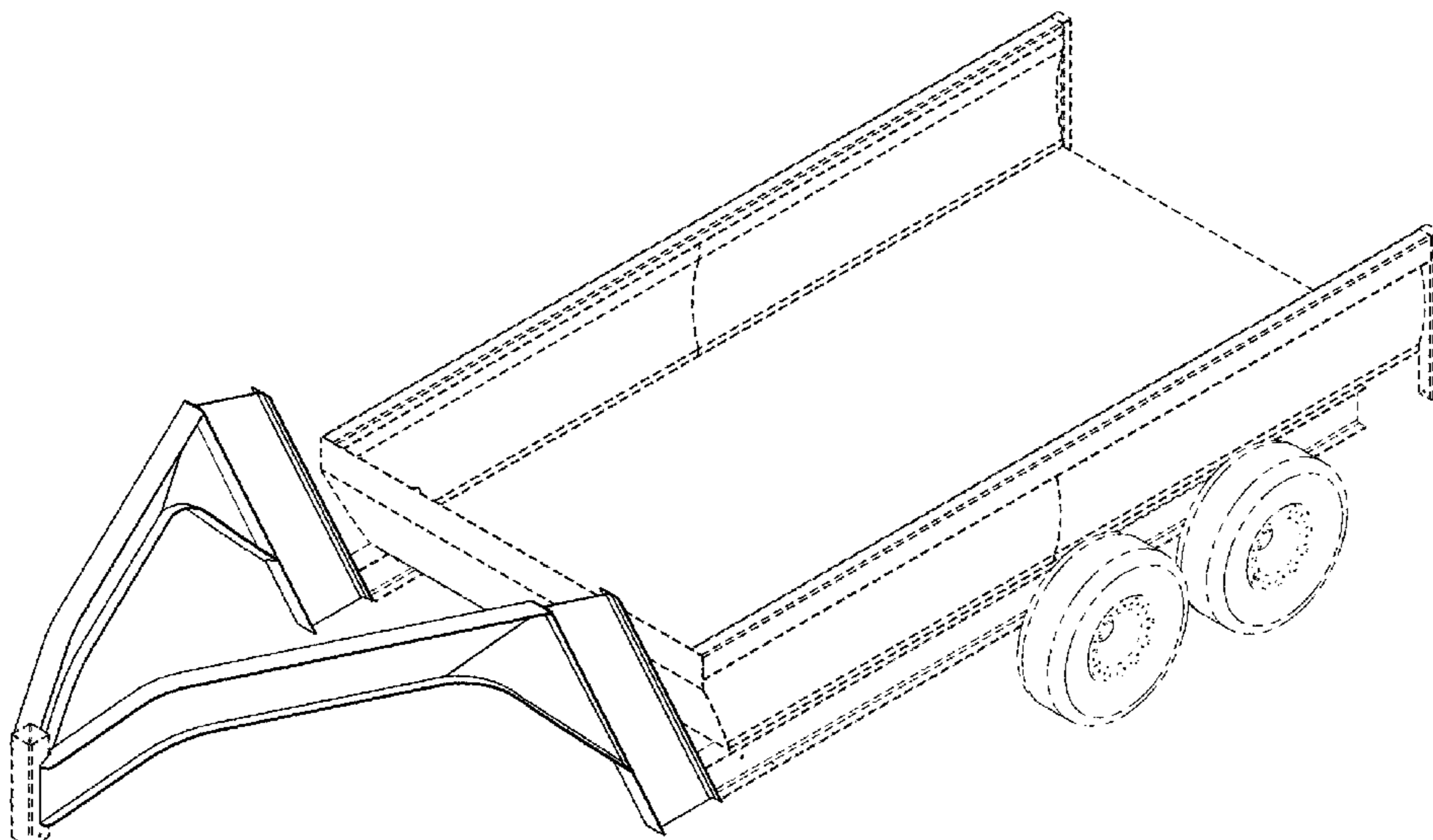
(57) **CLAIM**

The ornamental design for a gooseneck trailer hitch tongue, as shown and described.

**DESCRIPTION**

FIG. 1 is a front perspective view.  
FIG. 2 is a front perspective view showing a possible use.  
FIG. 3 is a right side elevation view.  
FIG. 4 is a left side elevation view.  
FIG. 5 is a top plan view.  
FIG. 6 is a bottom plan view.  
FIG. 7 is a front elevation view; and,  
FIG. 8 is a rear elevation view.  
The dashed lines illustrate portions of the gooseneck trailer hitch tongue in which the design is embodied and forms no part of the claimed design.

**1 Claim, 8 Drawing Sheets**



(56)

**References Cited**

U.S. PATENT DOCUMENTS

2017/0066360 A1 3/2017 Bushek  
2018/0126809 A1 5/2018 Chapin  
2022/0153071 A1 5/2022 Vega

OTHER PUBLICATIONS

Diamond C, "Engineered-Beam-Flyer\_01-2019.pdf," Jan. 2019,  
published online.

\* cited by examiner

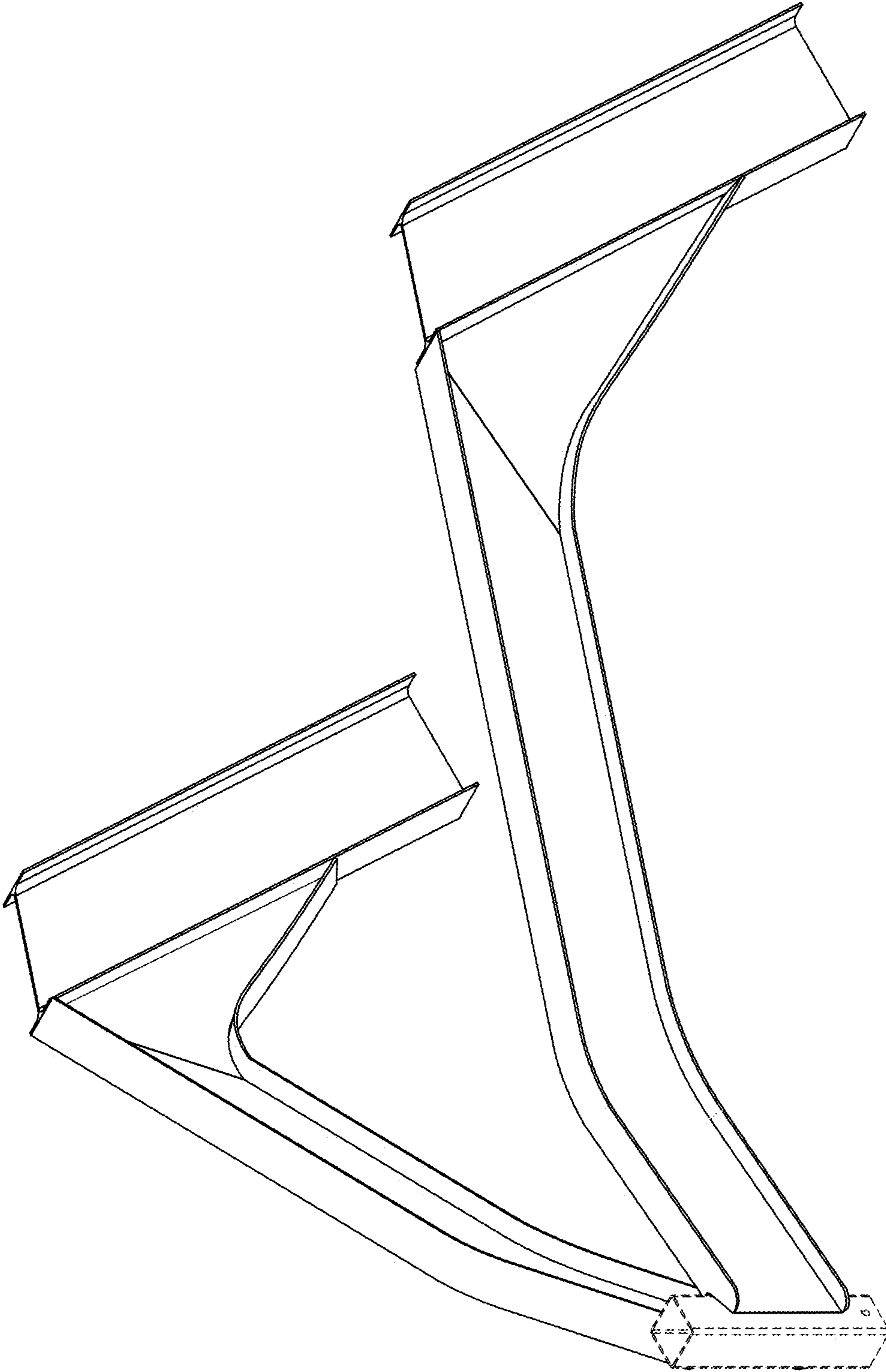


FIG. 1

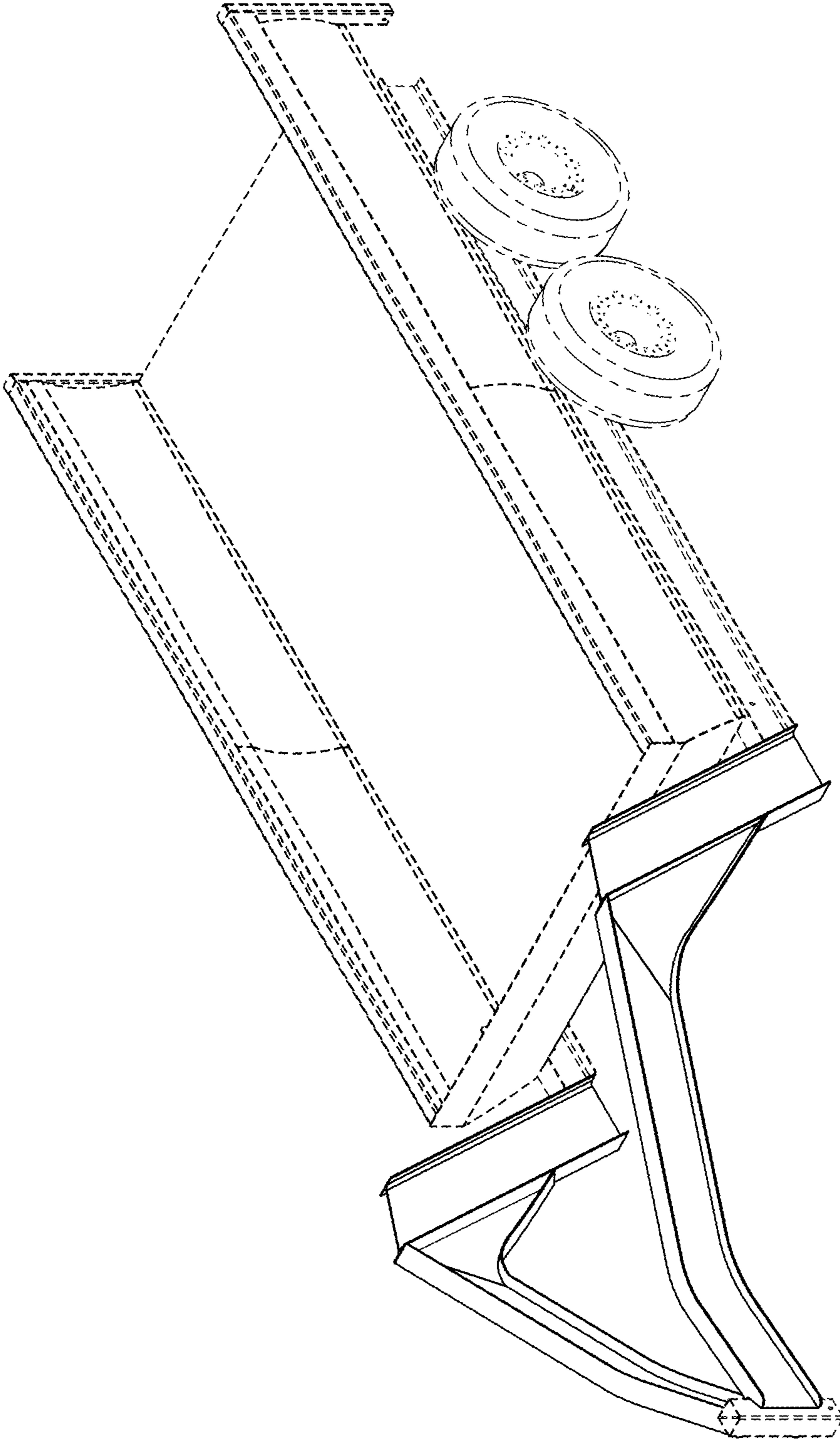


FIG. 2



FIG. 3

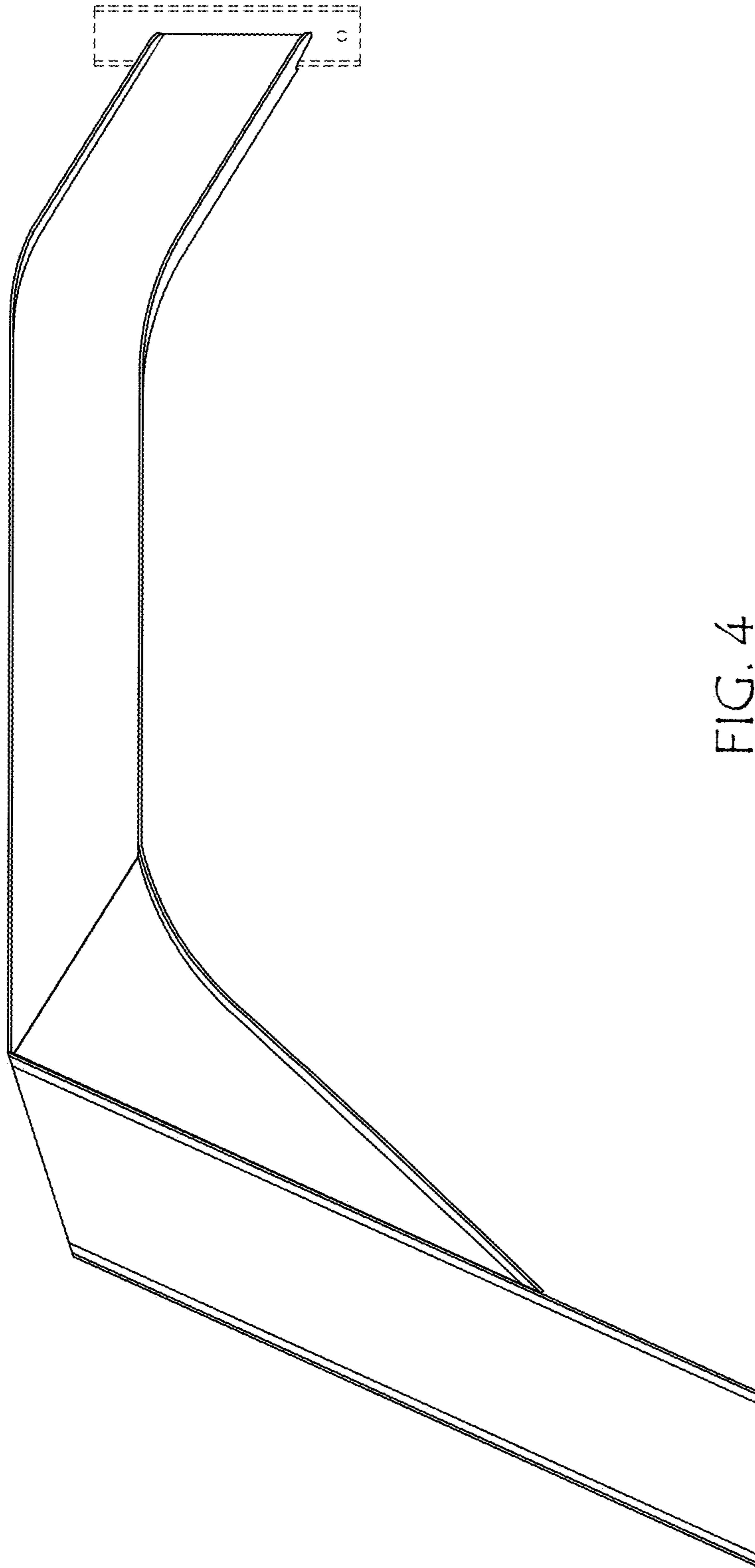


FIG. 4

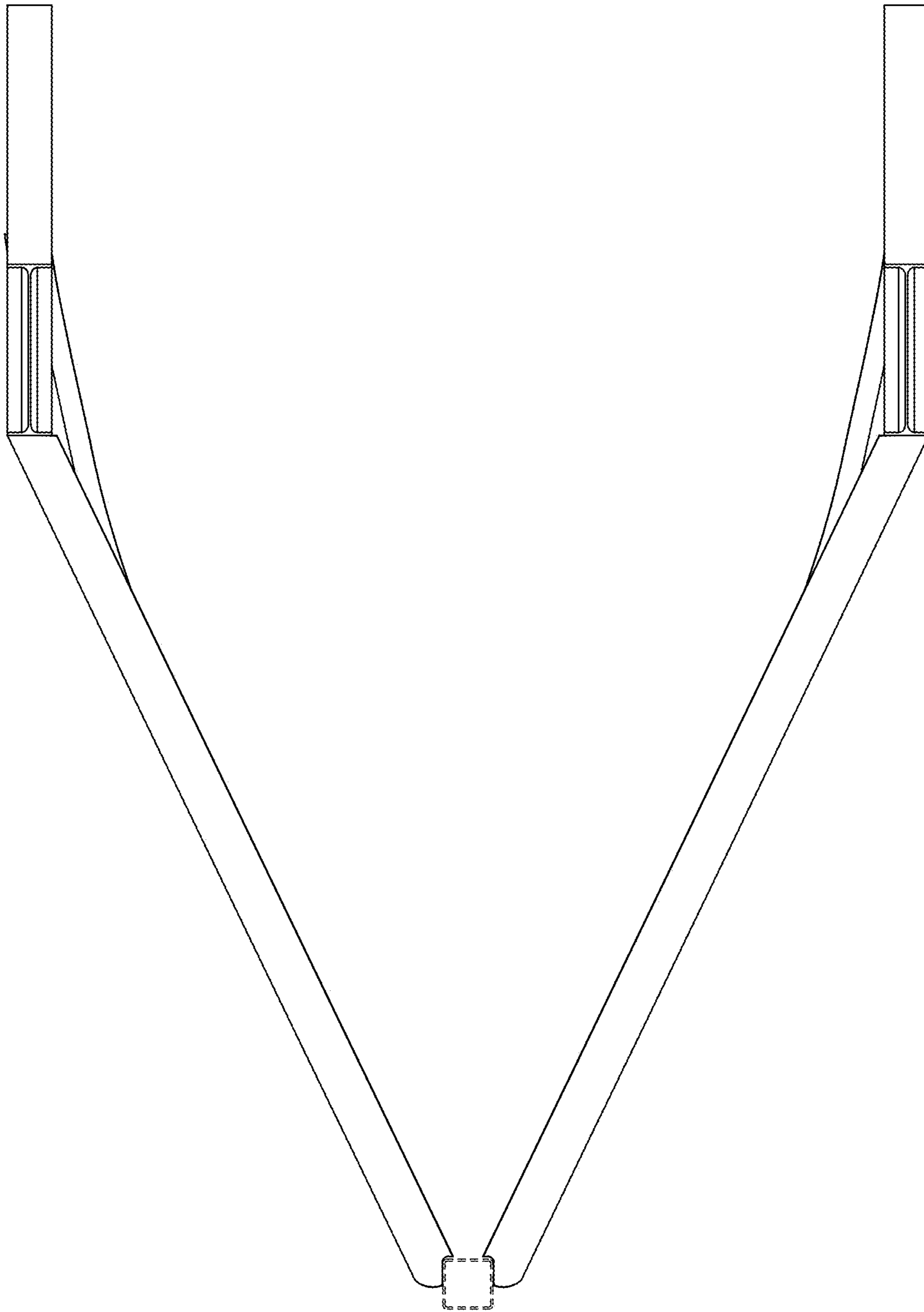


FIG. 5

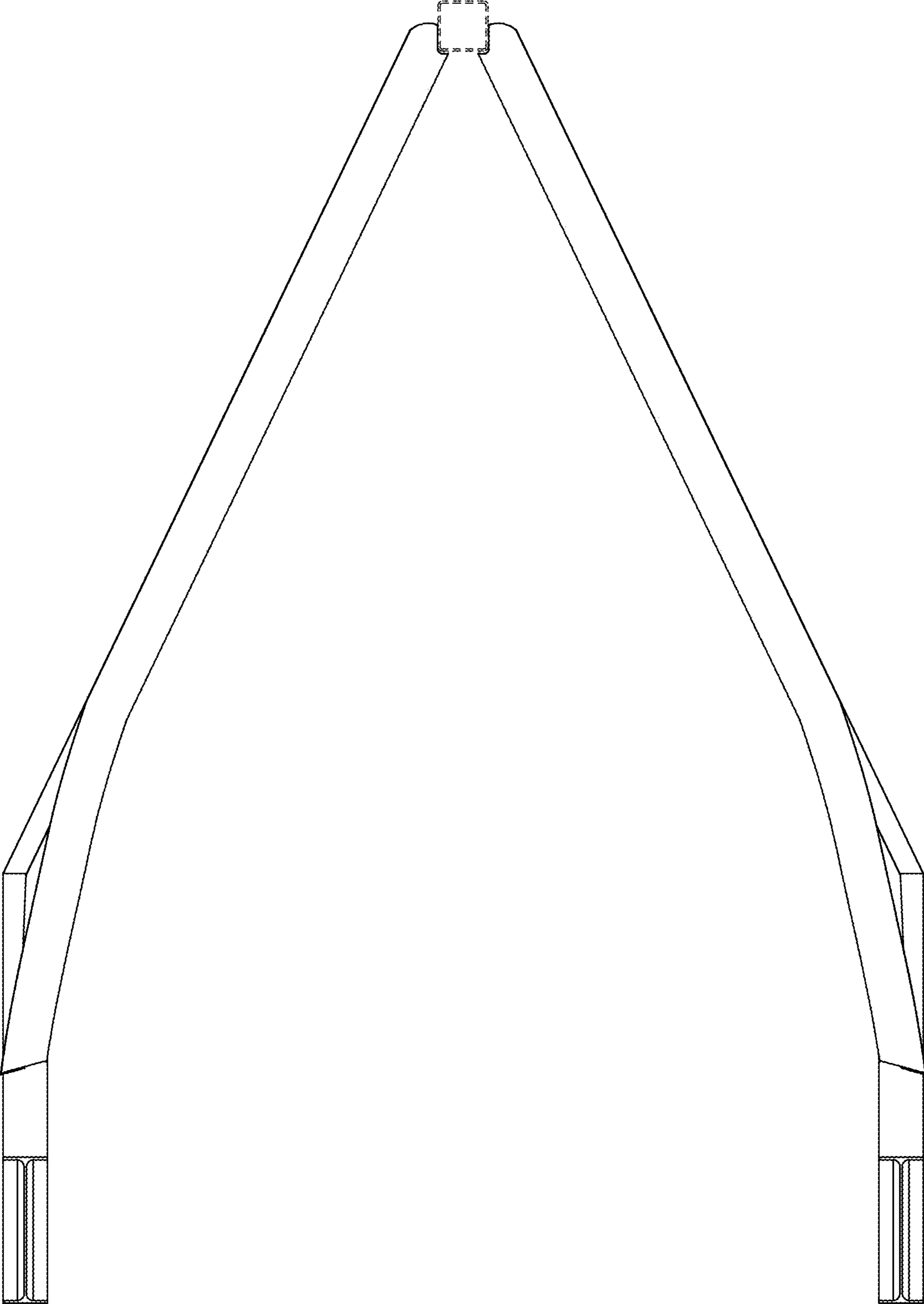


FIG. 6



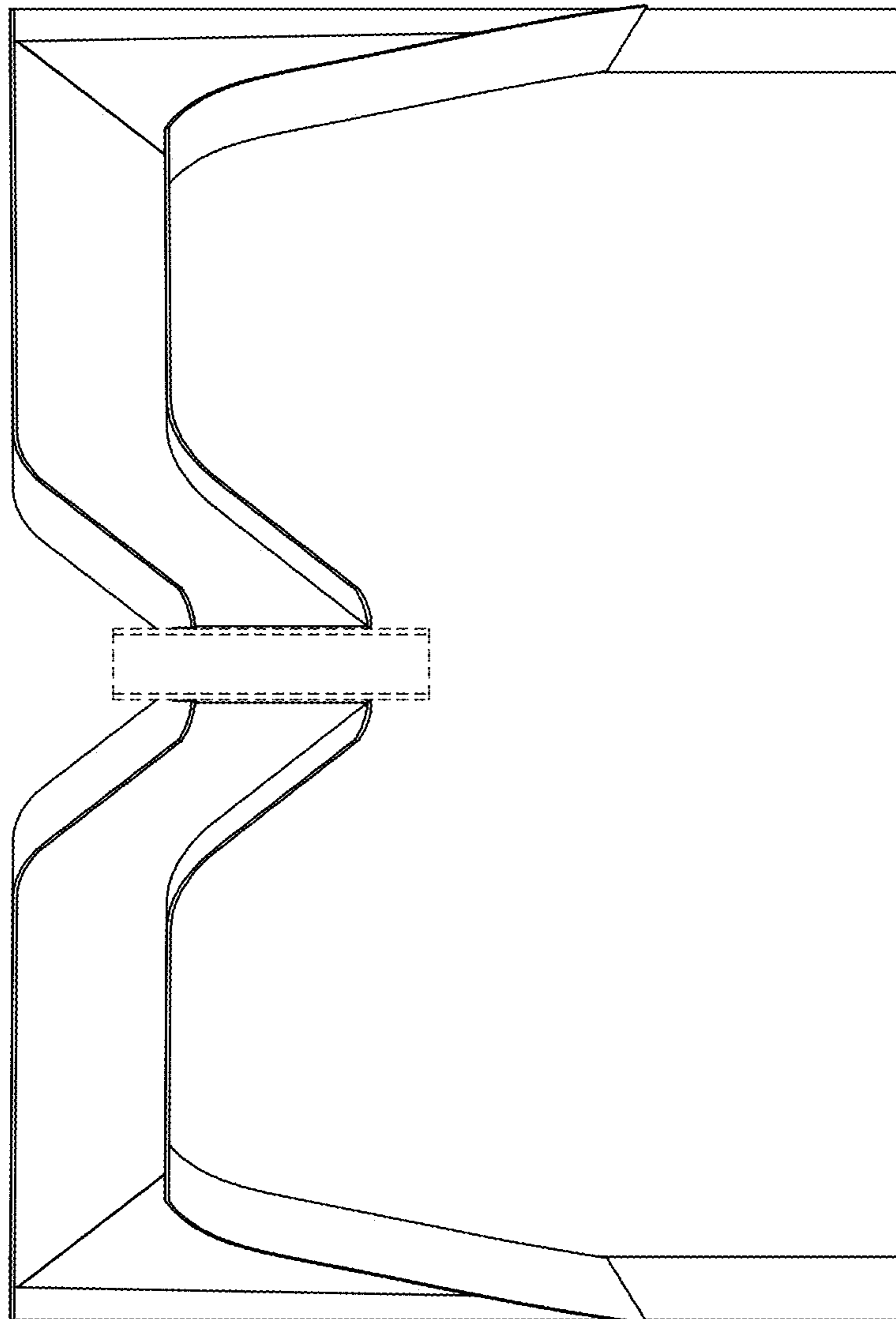


FIG. 7

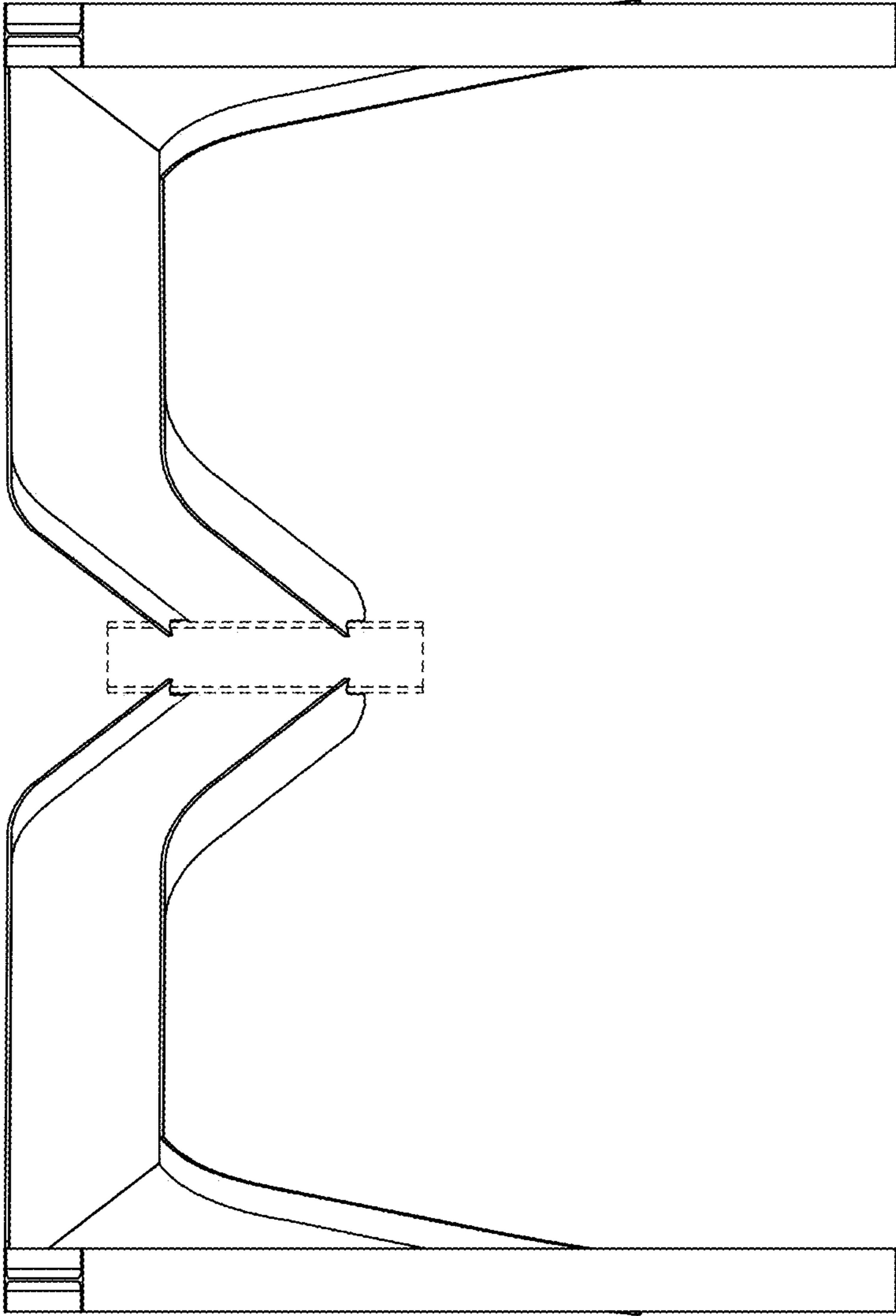


FIG. 8