



US00D986778S

(12) **United States Design Patent** (10) **Patent No.:** **US D986,778 S**  
**Rayne** (45) **Date of Patent:** **\*\* \*May 23, 2023**

(54) **PERAMBULATOR**

2013/0038036 A1 2/2013 Lester  
2013/0228989 A1 9/2013 Horst  
2016/0137258 A1 5/2016 Alvarez-icaza et al.

(71) Applicant: **Damian Rayne**, London (GB)

(72) Inventor: **Damian Rayne**, London (GB)

(\* ) Notice: This patent is subject to a terminal disclaimer.

(\*\*) Term: **15 Years**

(21) Appl. No.: **29/709,841**

(22) Filed: **Oct. 17, 2019**

(30) **Foreign Application Priority Data**

Apr. 18, 2019 (EM) ..... 006382289

(51) **LOC (14) Cl.** ..... **12-12**

(52) **U.S. Cl.**  
USPC ..... **D12/129**

(58) **Field of Classification Search**  
USPC ..... D12/128-133  
CPC ..... B62B 7/00-04; B62B 9/00-28  
See application file for complete search history.

(56) **References Cited**

**U.S. PATENT DOCUMENTS**

5,062,651	A	11/1991	Varieur	
5,106,108	A	4/1992	Howell	
5,318,311	A	6/1994	Bofill	
5,511,802	A	4/1996	Aitken	
5,669,619	A	9/1997	Kim	
5,884,920	A	3/1999	Seto	
D583,300	S *	12/2008	Rancati	D12/501
D615,909	S *	5/2010	Thorne	D12/129
D702,052	S *	4/2014	Wiegmann	D6/344
9,757,660	B2 *	9/2017	Leibovics	F16M 13/04
D843,272	S *	3/2019	Nix	D12/133
D845,840	S *	4/2019	Talios	D12/129
2005/0057021	A1	3/2005	Miyoshi	
2006/0157953	A1	7/2006	Goertzen et al.	

**FOREIGN PATENT DOCUMENTS**

DE	8527278	U	11/1985
DE	9114389	U	4/1992
DE	10318879	A1	11/2004
EP	1582433	A1	10/2005

(Continued)

**OTHER PUBLICATIONS**

PCT, "International Search Report and Written Opinion", Application No. PCT/EP2018/078436, Feb. 5, 2019, 26 pages.  
U.S. Appl. No. 29/709,854, filed Oct. 17, 2019.

*Primary Examiner* — Charles D Hanson

(74) *Attorney, Agent, or Firm* — Dorsey & Whitney LLP

(57) **CLAIM**

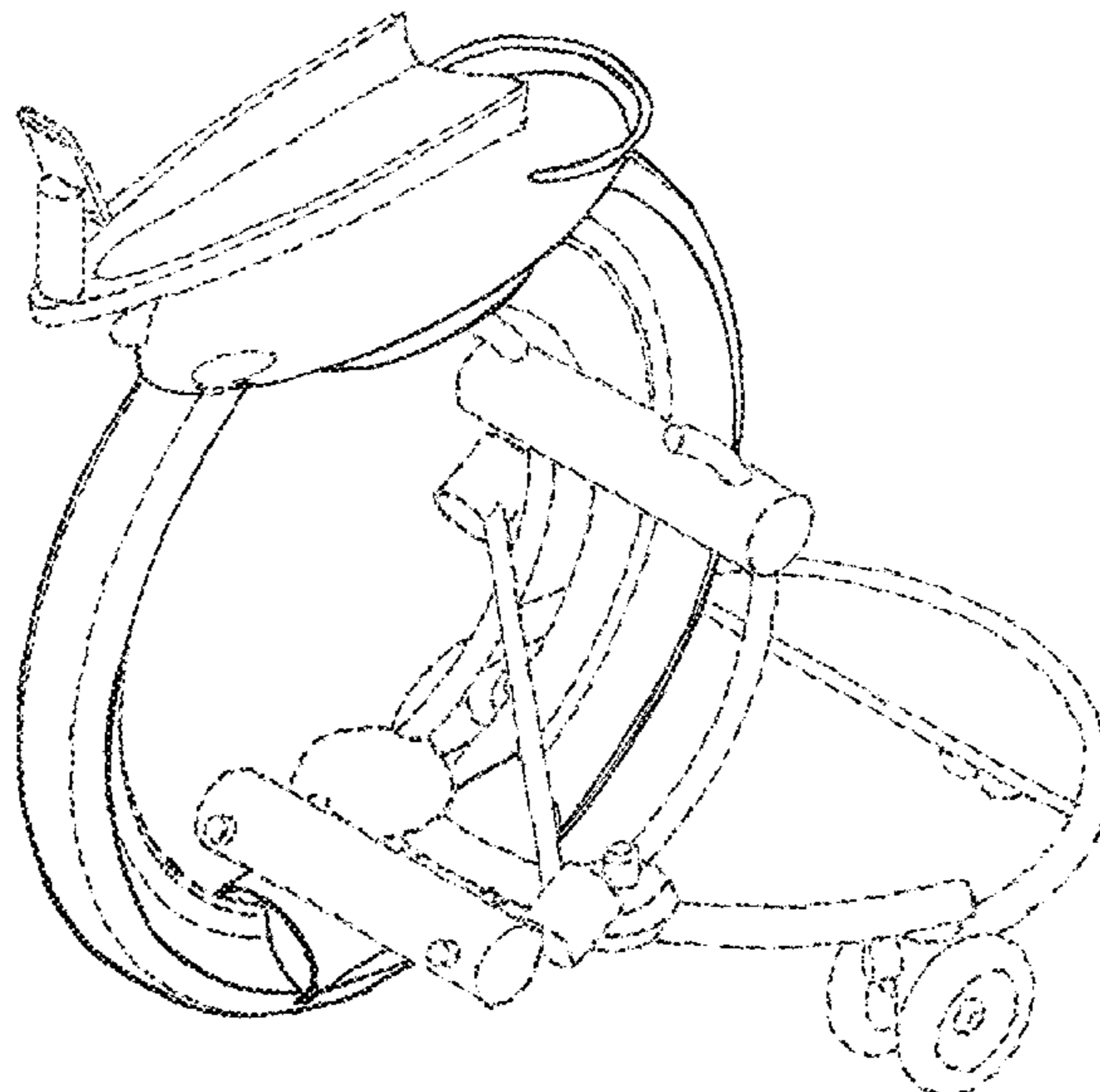
The ornamental design for a perambulator, as shown and described.

**DESCRIPTION**

FIG. 1 is a front perspective view of a perambulator. FIG. 2 is a front view of the perambulator of FIG. 1. FIG. 3 is a rear view of the perambulator of FIG. 1. FIG. 4 is a right side view of the perambulator of FIG. 1. FIG. 5 is a left side view of the perambulator of FIG. 1. FIG. 6 is a top view of the perambulator of FIG. 1; and, FIG. 7 is a bottom view of the perambulator of FIG. 1. The broken lines in FIGS. 1-7 illustrate environment and boundaries of the perambulator and form no part of the claim.

Any combination of the illustrated features may be claimed in this application or a continuing application claiming priority to this application by converting any of the solid lines to broken lines, any of the broken lines to solid lines, or any combination thereof.

**1 Claim, 7 Drawing Sheets**



(56)

**References Cited**

FOREIGN PATENT DOCUMENTS

FR	2985453	A1	7/2013
GB	2516525	A	1/2015
GB	2520534	A	5/2015
JP	2001095865	A	4/2001
KR	100690192	B1	2/2007
KR	101477459	B1	12/2014
WO	9200866	A1	1/1992
WO	2007056778	A1	5/2007
WO	2013162354	A2	10/2013

\* cited by examiner

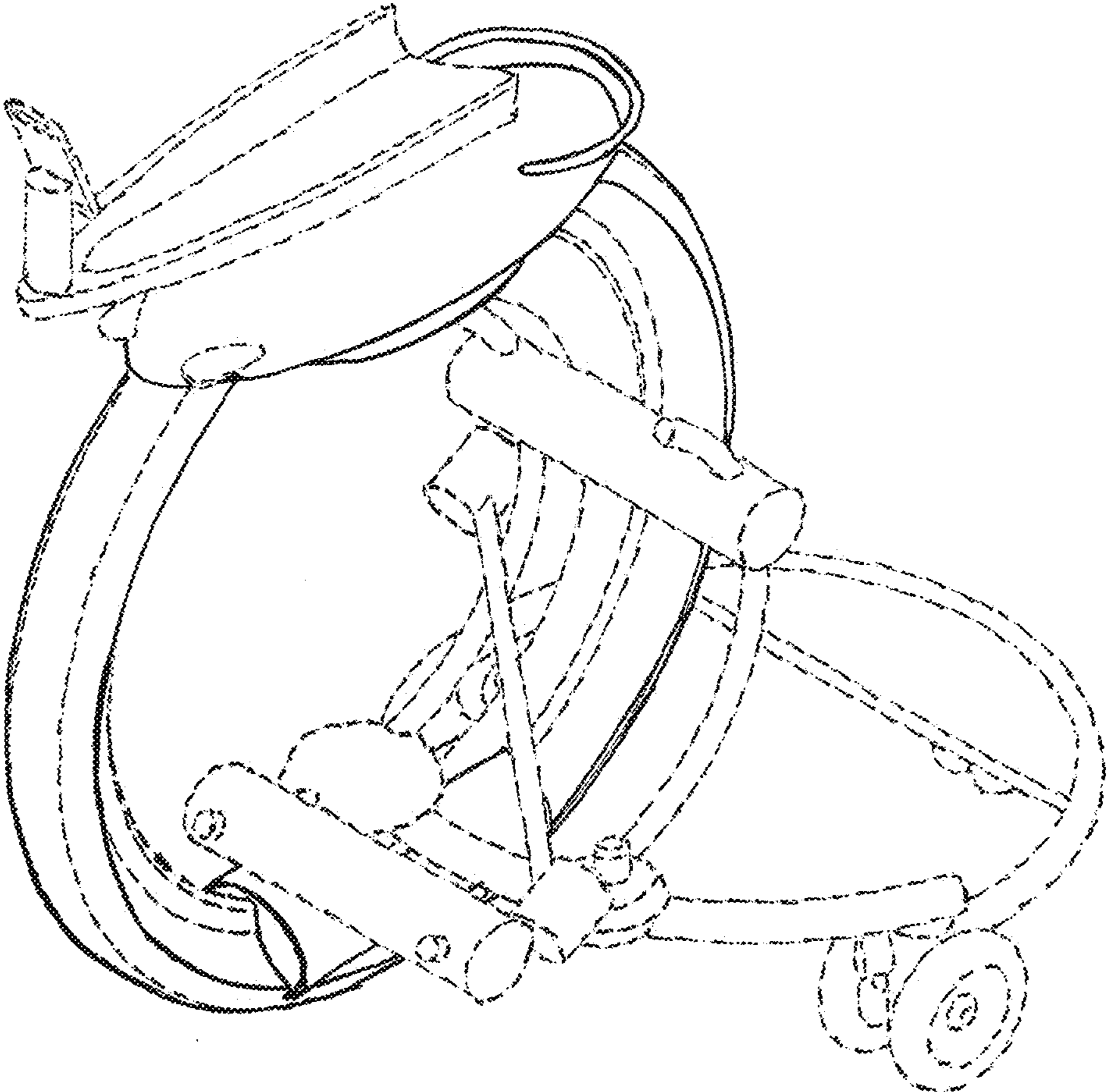


FIG. 1

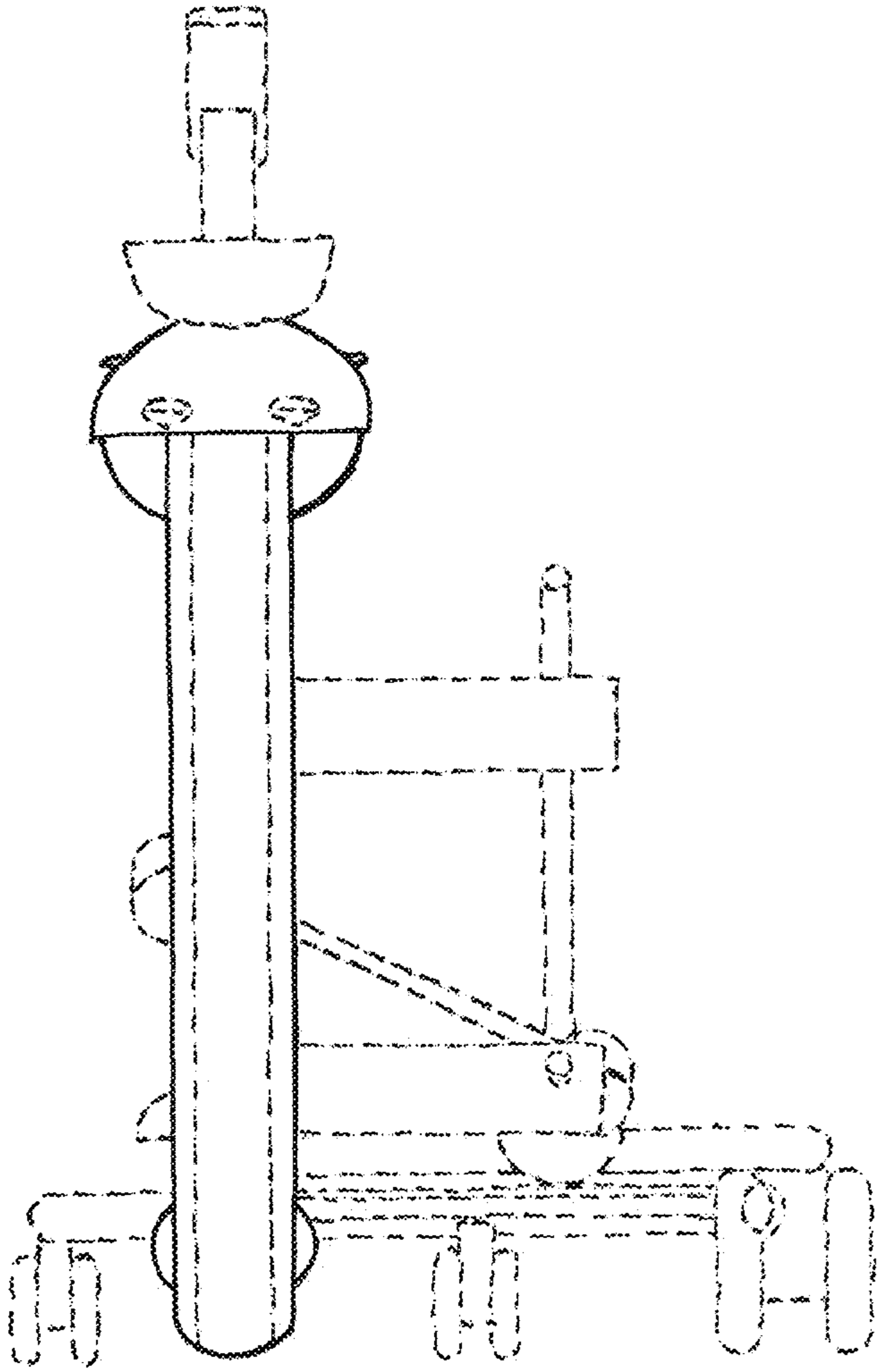


FIG. 2

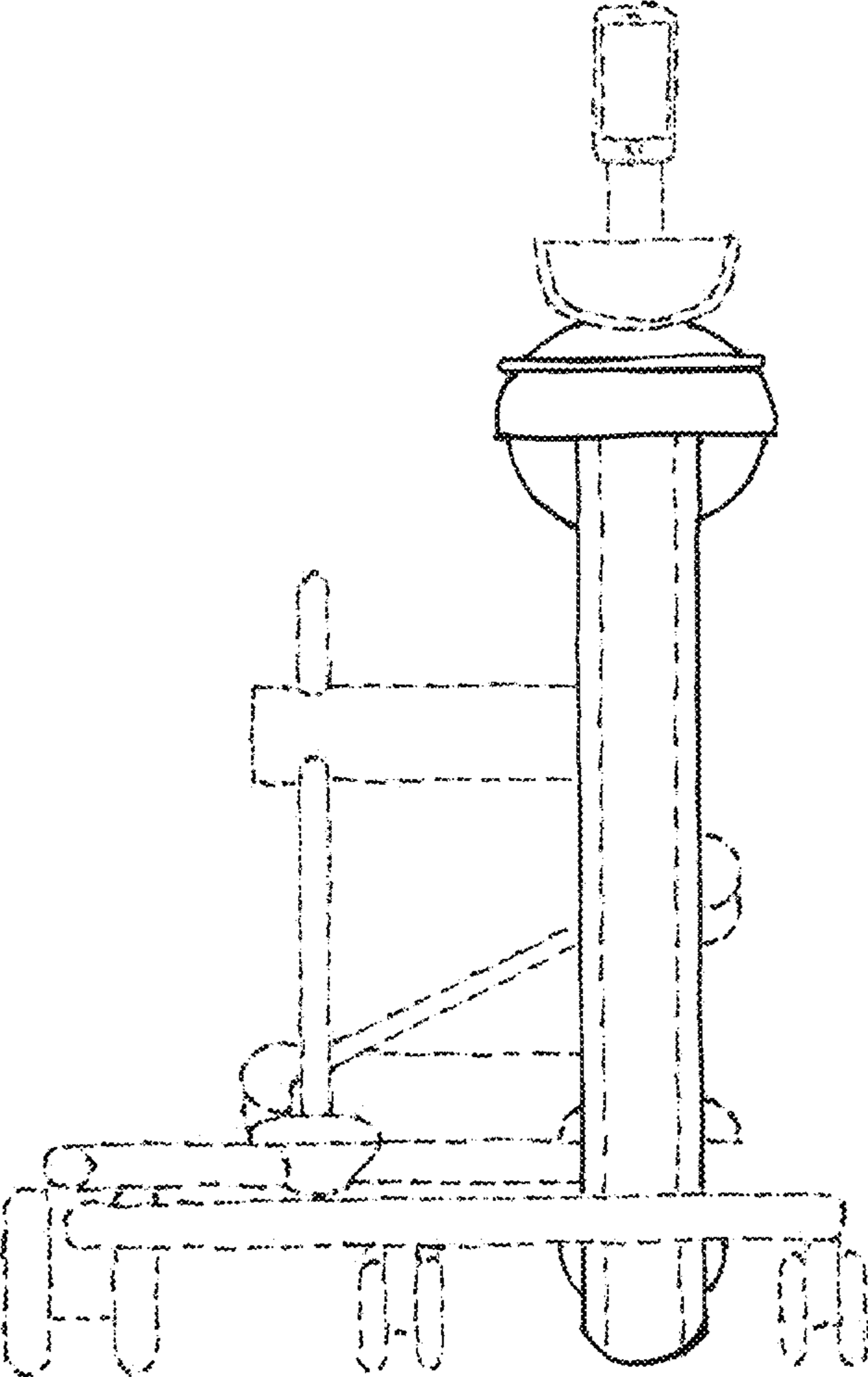


FIG. 3

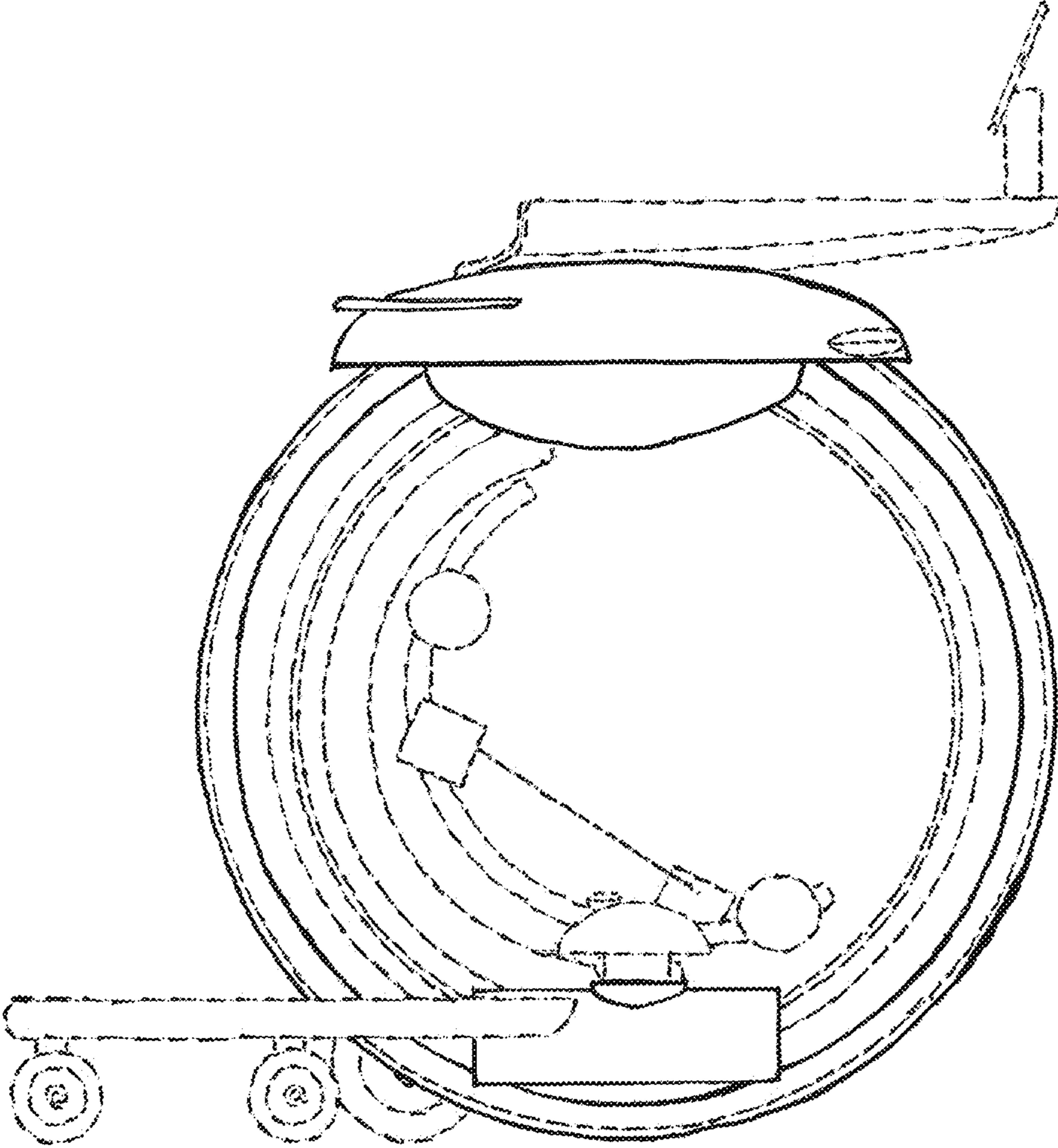


FIG. 4

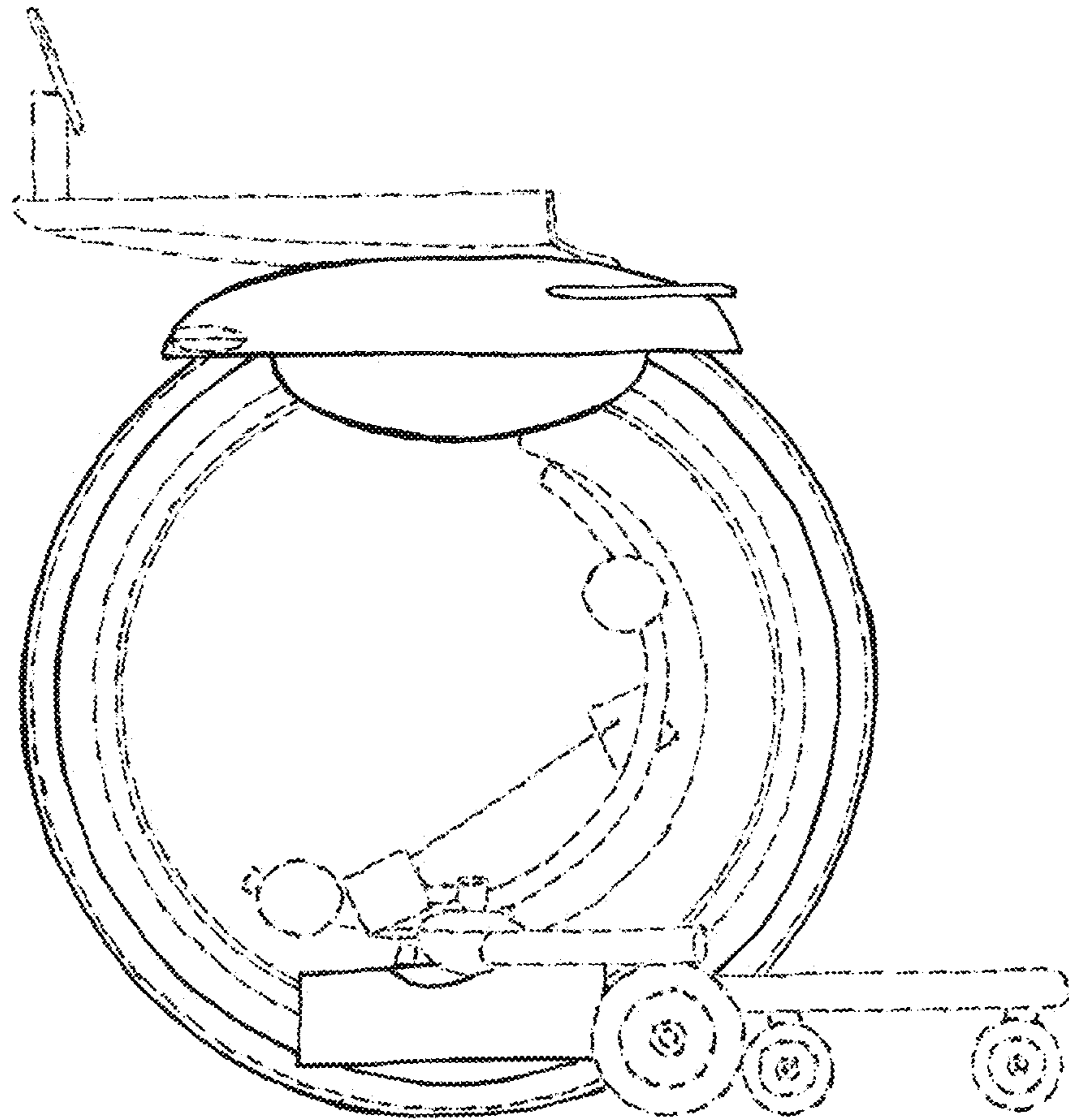


FIG. 5

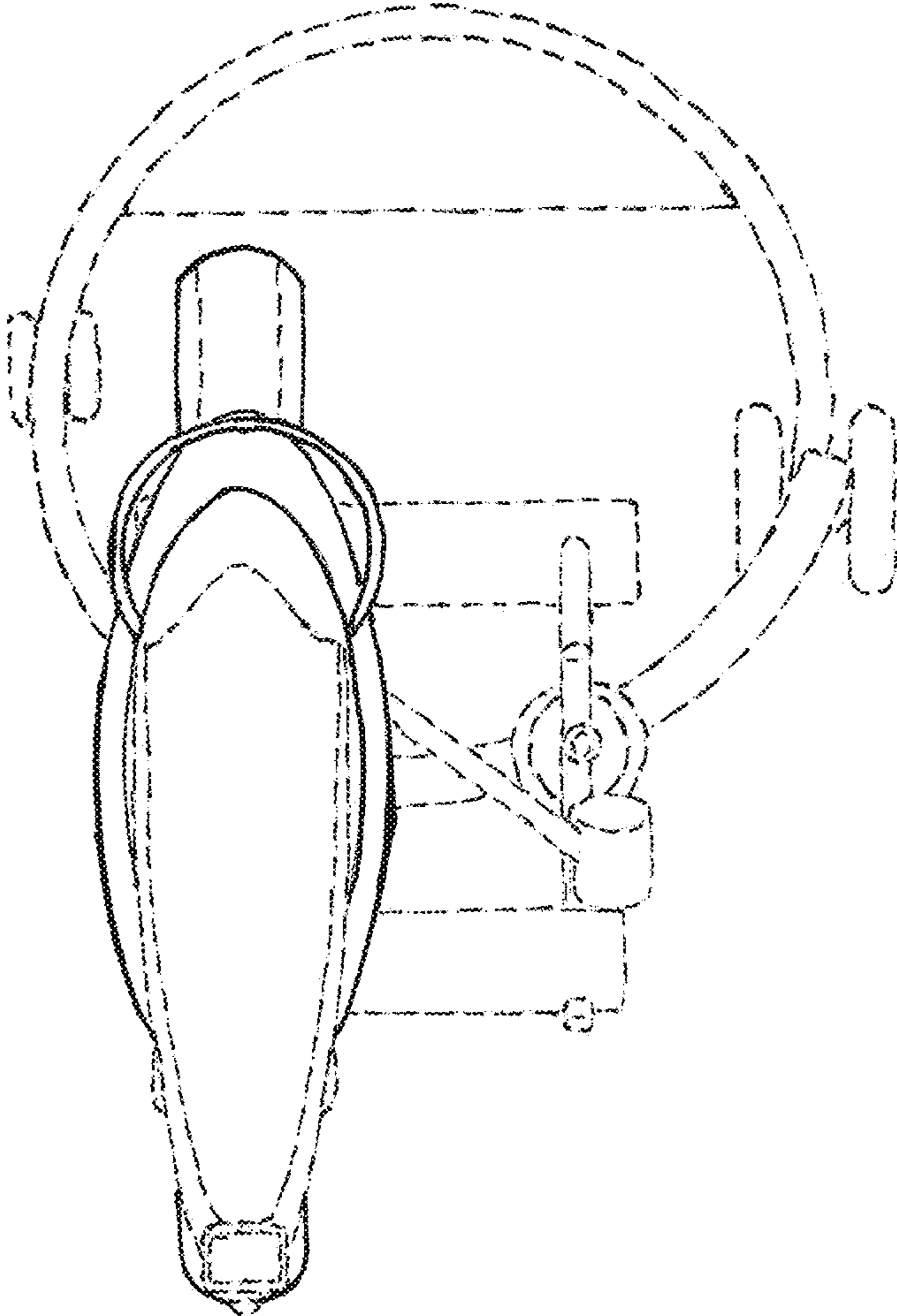


FIG. 6



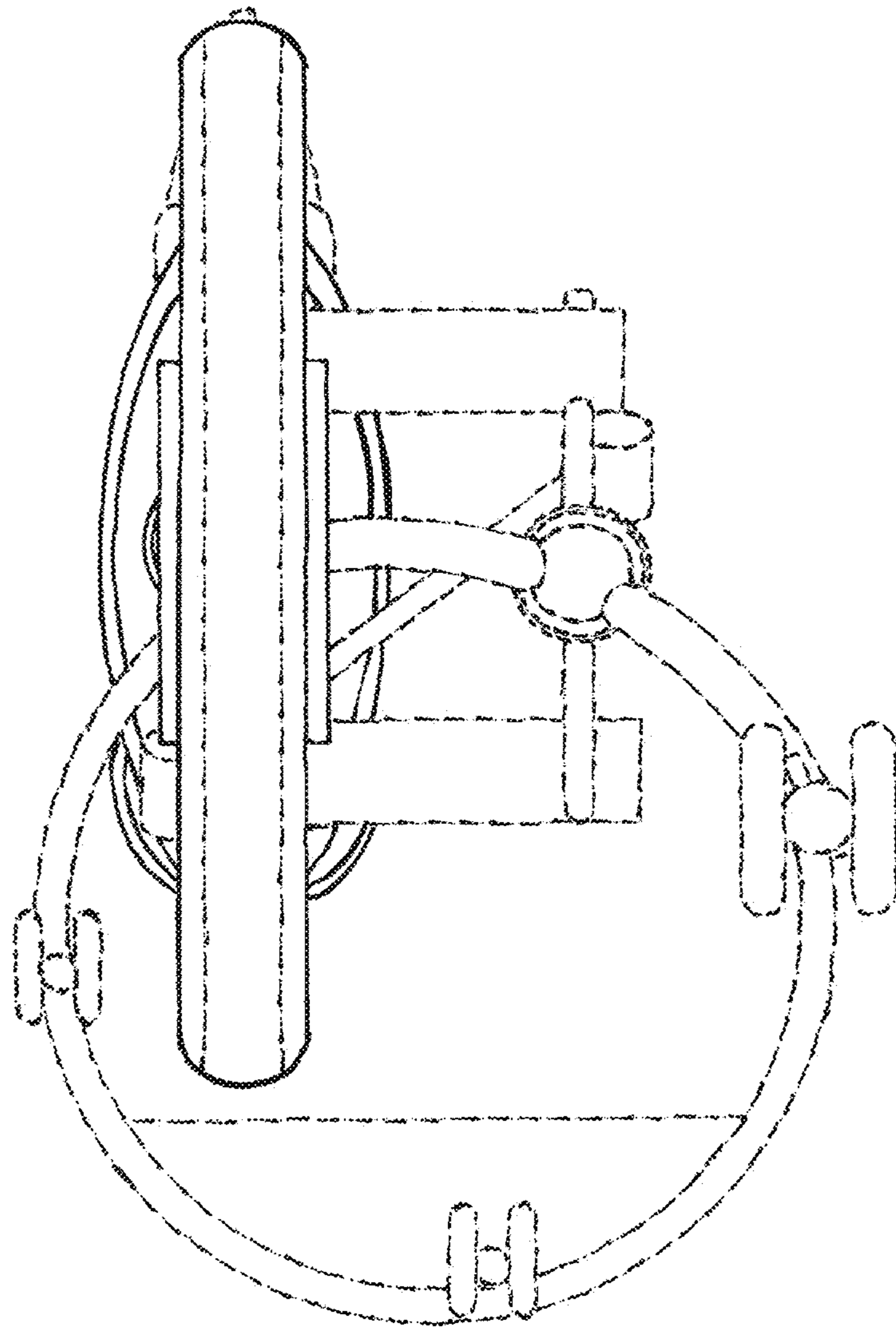


FIG. 7