



US00D986776S

(12) **United States Design Patent** (10) **Patent No.:** **US D986,776 S**  
**Murakami et al.** (45) **Date of Patent:** **\*\* May 23, 2023**

- (54) **MOTORCYCLE**
- (71) Applicant: **SUZUKI MOTOR CORPORATION**,  
Hamamatsu (JP)
- (72) Inventors: **Tomoya Murakami**, Hamamatsu (JP);  
**Masayuki Kawagishi**, Hamamatsu (JP);  
**Shuji Matsuzawa**, Hamamatsu (JP)
- (73) Assignee: **SUZUKI MOTOR CORPORATION**,  
Shizuoka-Ken (JP)
- (\*\*) Term: **15 Years**
- (21) Appl. No.: **29/810,823**
- (22) Filed: **Oct. 8, 2021**
- (51) **LOC (14) Cl.** ..... **12-11**
- (52) **U.S. Cl.**  
USPC ..... **D12/110**
- (58) **Field of Classification Search**  
USPC ..... D12/110, 111, 117; D21/432, 538  
CPC ..... B62K 11/00; B62K 11/02; B62K 11/04;  
B62K 11/10; B62K 17/00; B62K 19/00;  
B62K 2202/00  
See application file for complete search history.

(56) **References Cited**

**U.S. PATENT DOCUMENTS**

D403,277 S	*	12/1998	Kokubu	.....	D12/110
D496,309 S	*	9/2004	Fukumoto	.....	D12/110
D504,844 S	*	5/2005	Sasanami	.....	D12/110
D549,137 S	*	8/2007	Heinrich	.....	D12/110
D551,129 S	*	9/2007	Takeda	.....	D12/110
D567,717 S	*	4/2008	Hishiki	.....	D12/110
D581,839 S	*	12/2008	Sasanami	.....	D12/110
D582,316 S	*	12/2008	Stenegard	.....	D12/110
D582,320 S	*	12/2008	Tanaka	.....	D12/110
D588,961 S	*	3/2009	Tanaka	.....	D12/110
D591,204 S	*	4/2009	Matsuzawa	.....	D12/110
D591,205 S	*	4/2009	Heinrich	.....	D12/110
D594,786 S	*	6/2009	Sakata	.....	D12/110

D596,082 S	*	7/2009	Ueno	.....	D12/110
D597,449 S	*	8/2009	Nagao	.....	D12/110
D601,458 S	*	10/2009	Nagao	.....	D12/110
D605,089 S	*	12/2009	Tanaka	.....	D12/110
D606,457 S	*	12/2009	Tanaka	.....	D12/110
D611,390 S	*	3/2010	Toriyama	.....	D12/110
D647,824 S	*	11/2011	Kouchi	.....	D12/110
D647,825 S	*	11/2011	Shibuta	.....	D12/110

(Continued)

**OTHER PUBLICATIONS**

News Desk. "Piaggio to enter the bike segment by 2023." The Automotive Blog., Jan. 5, 2021 [online], [retrieved on Sep. 10, 2021]. Retrieved from the Internet <URL: <https://theautomotiveblog.com/piaggio-to-enter-the-bike-segment-by-2023/>>.\*

(Continued)

*Primary Examiner* — Darlington Ly

(74) *Attorney, Agent, or Firm* — Lando & Anastasi, LLP

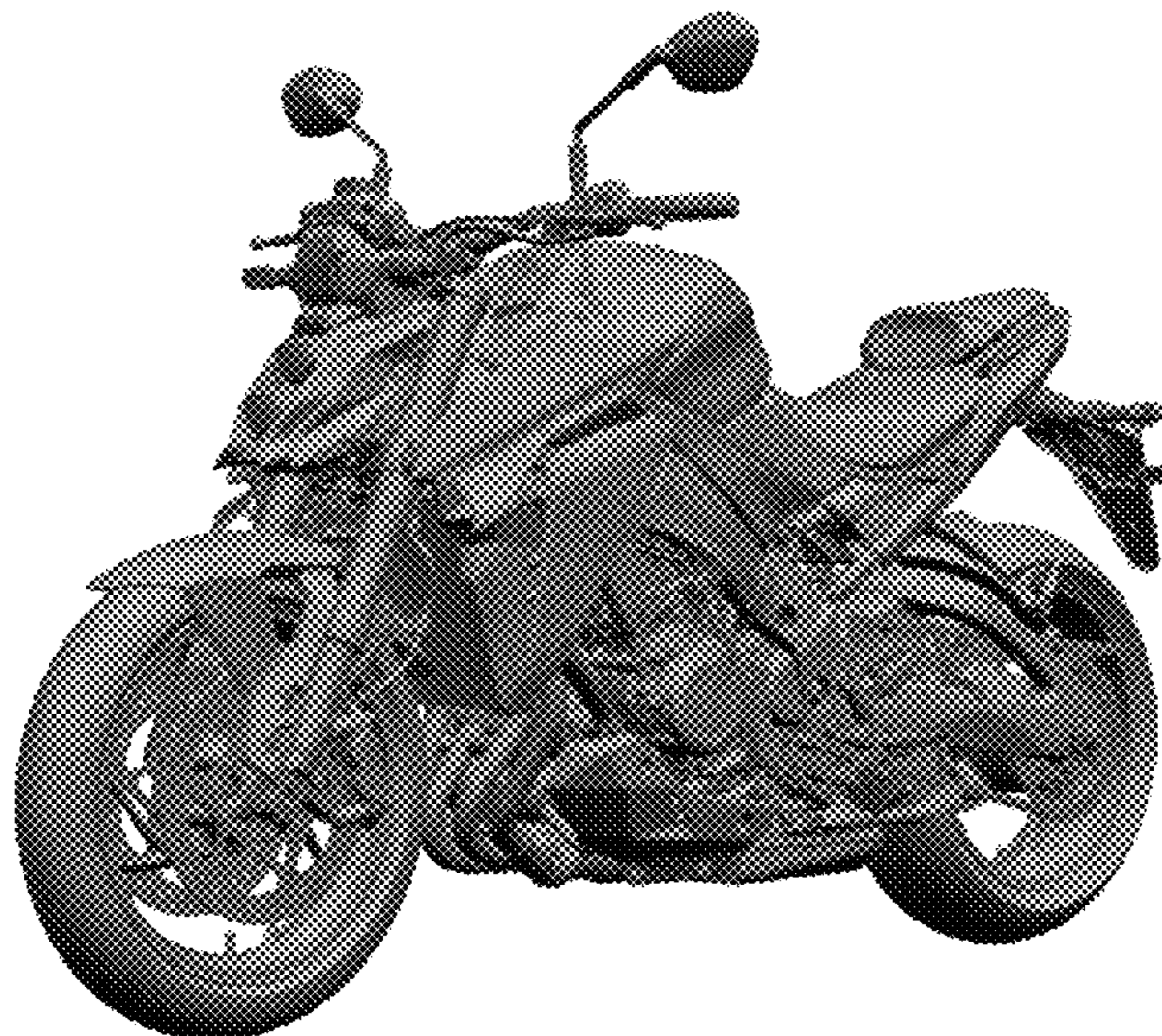
(57) **CLAIM**

The ornamental design for a motorcycle, as shown and described.

**DESCRIPTION**

FIG. 1 is a front view of a motorcycle in accordance with the present disclosure;  
FIG. 2 is a rear view thereof;  
FIG. 3 is a top view thereof;  
FIG. 4 is a bottom view thereof;  
FIG. 5 is a right side view thereof;  
FIG. 6 is a left side view thereof;  
FIG. 7 is a front and right side perspective view thereof;  
FIG. 8 is a front and left side perspective view thereof;  
FIG. 9 is a rear and right perspective view thereof; and,  
FIG. 10 is a rear and left side perspective view thereof.  
In the drawings, the light and shade shown on the surfaces represents the contours of the three-dimensional surfaces.

**1 Claim, 10 Drawing Sheets**



(56)

**References Cited**

U.S. PATENT DOCUMENTS

D670,204 S \* 11/2012 Yasuhara ..... D12/110  
 D688,982 S \* 9/2013 Oyanagi ..... D12/110  
 D689,406 S \* 9/2013 Yasuhara ..... D12/110  
 D694,673 S \* 12/2013 Katagiri ..... D12/110  
 8,807,259 B2 \* 8/2014 Tominaga ..... B62K 25/04  
 180/219  
 8,827,024 B1 \* 9/2014 Sumi ..... B62M 9/16  
 301/111.01  
 D723,431 S \* 3/2015 Noguchi ..... D12/110  
 D755,084 S \* 5/2016 Sakata ..... D12/110  
 D755,682 S \* 5/2016 Hahn-Woernle ..... D12/110  
 D756,268 S \* 5/2016 Yamada ..... D12/110  
 D758,923 S \* 6/2016 Yamada ..... D12/110  
 D795,746 S \* 8/2017 Akita ..... D12/110  
 D797,002 S \* 9/2017 Toyama ..... D12/110  
 D801,230 S \* 10/2017 Endo ..... D12/110  
 D884,562 S \* 5/2020 Usami ..... D12/110

2012/0318598 A1\* 12/2012 Fujiyama ..... B60K 5/12  
 180/219  
 2014/0084565 A1\* 3/2014 Nakamura ..... B62K 25/286  
 280/284  
 2015/0101875 A1\* 4/2015 Inayama ..... B62K 11/04  
 60/605.1

OTHER PUBLICATIONS

“YZF-R1M—Yamaha Motorsports.” Yamaha., Oct. 8, 2015 [online], [retrieved on Sep. 10, 2021]. Retrieved from the Internet <URL: [https://irp-cdn.multiscreensite.com/6ca5070f/files/uploaded/2017\\_yamaha\\_YZF-R1M%20Specs.pdf](https://irp-cdn.multiscreensite.com/6ca5070f/files/uploaded/2017_yamaha_YZF-R1M%20Specs.pdf)>.\*  
 “2019 Sport Motorcycles.” Motorcycle.com., Jun. 19, 2007 [online], [retrieved on Sep. 10, 2021]. Retrieved from the Internet <URL: <https://www.motorcycle.com/specs/sport/2019.html>>.\*  
 Preetam Bora. “EICMA 2019: Aprilia RS 660 Unveiled.” Car and Bike., Nov. 5, 2019 [online], [retrieved on Sep. 10, 2021]. Retrieved from the Internet <URL: <https://www.carandbike.com/news/eicma-2019-aprilia-rs-660-unveiled-2127824>>.\*

\* cited by examiner

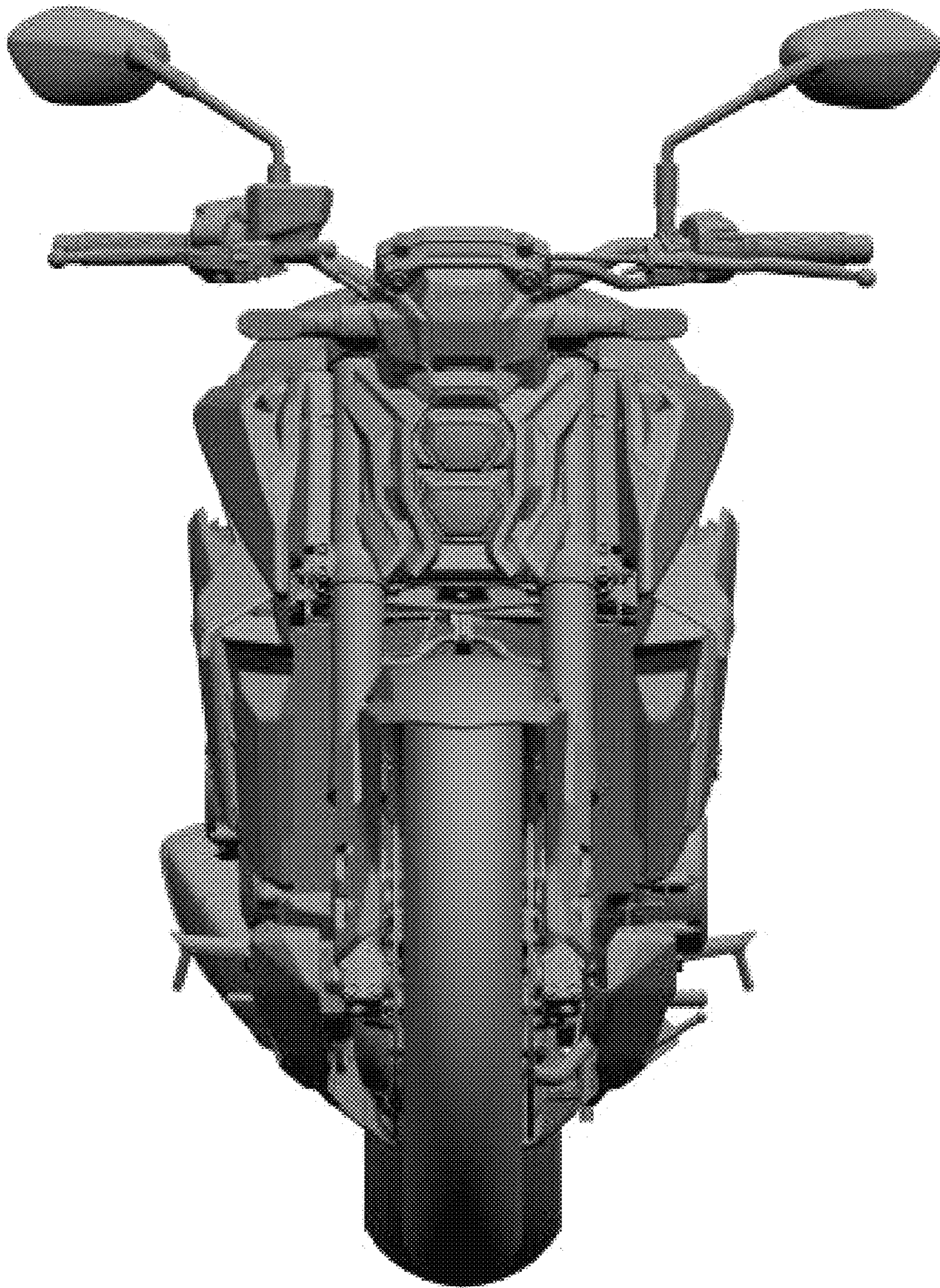


FIG. 1

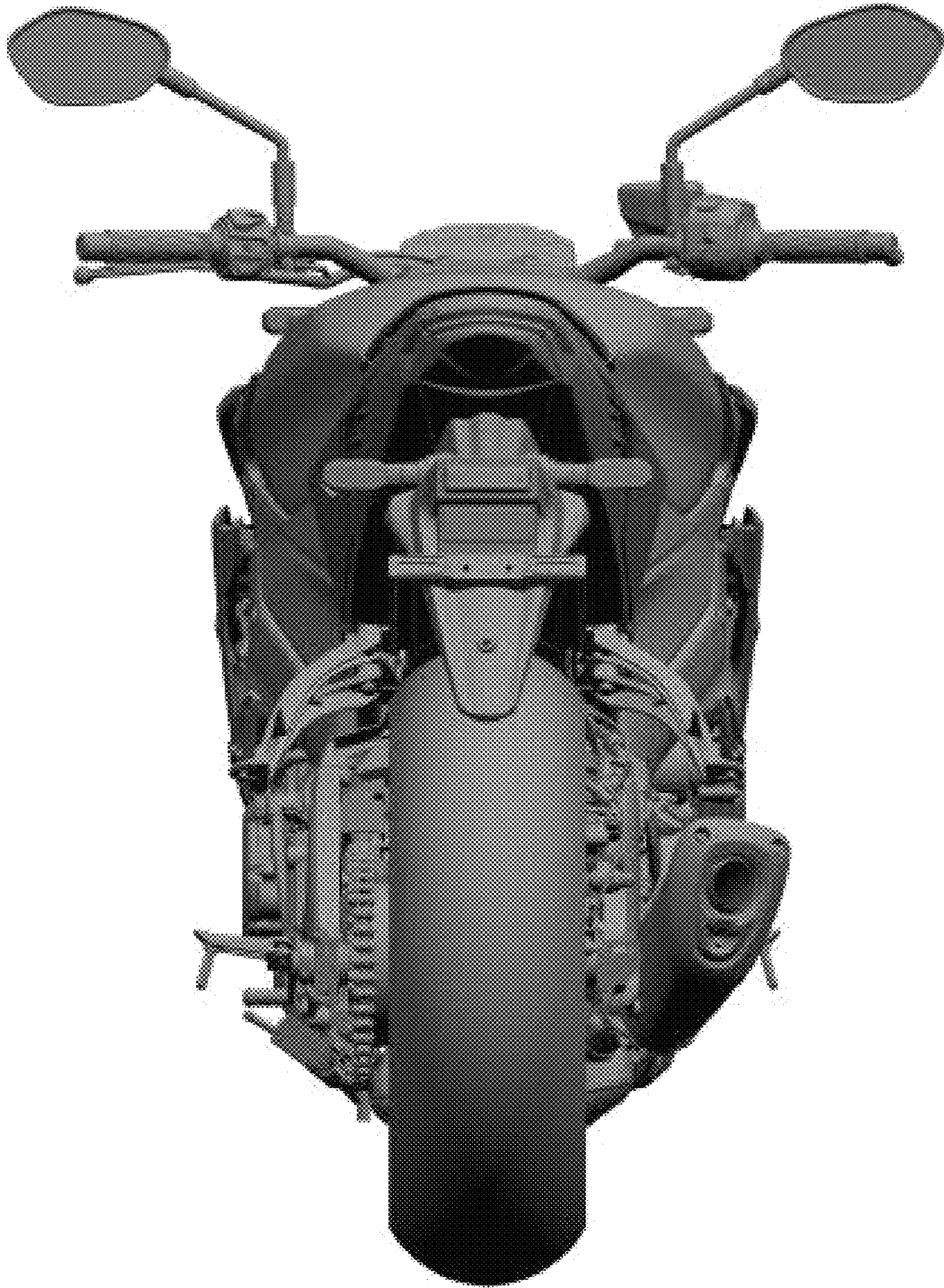


FIG. 2

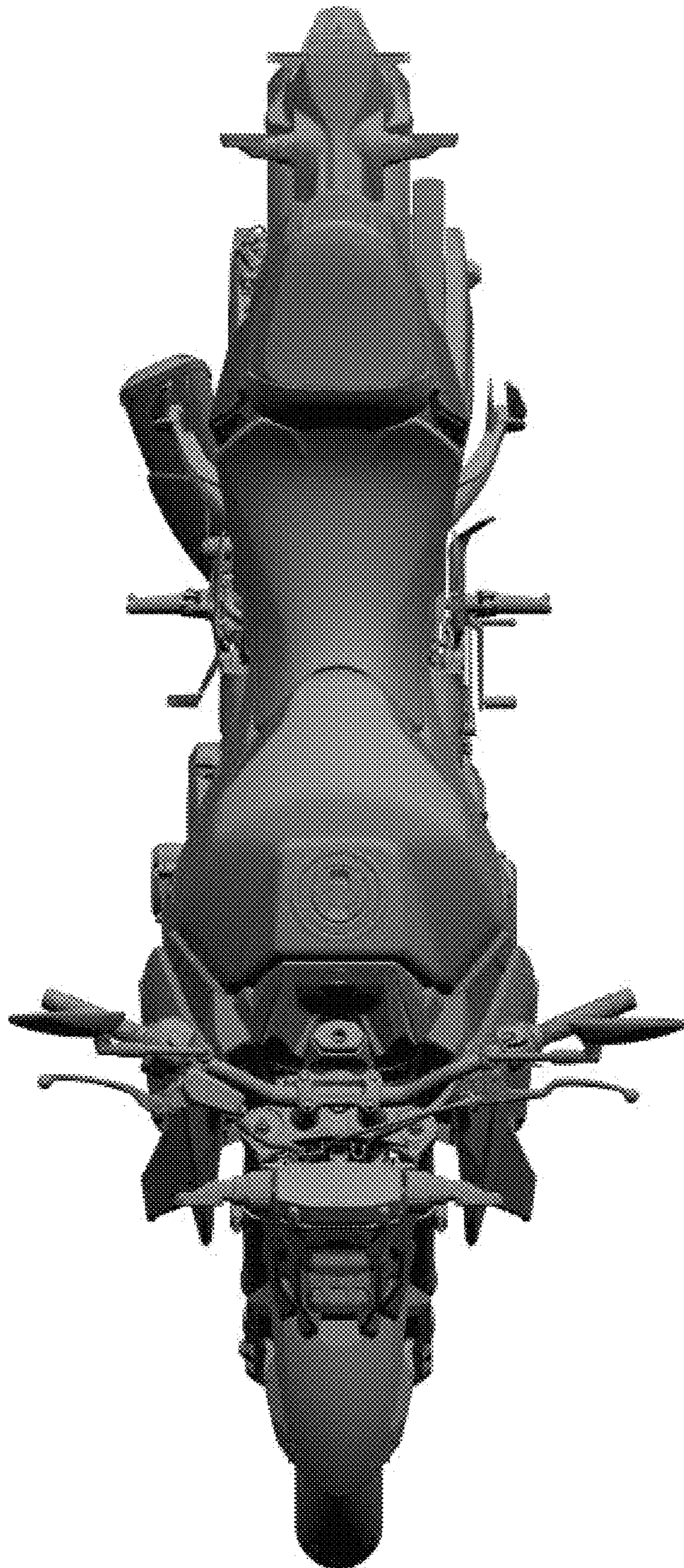


FIG. 3

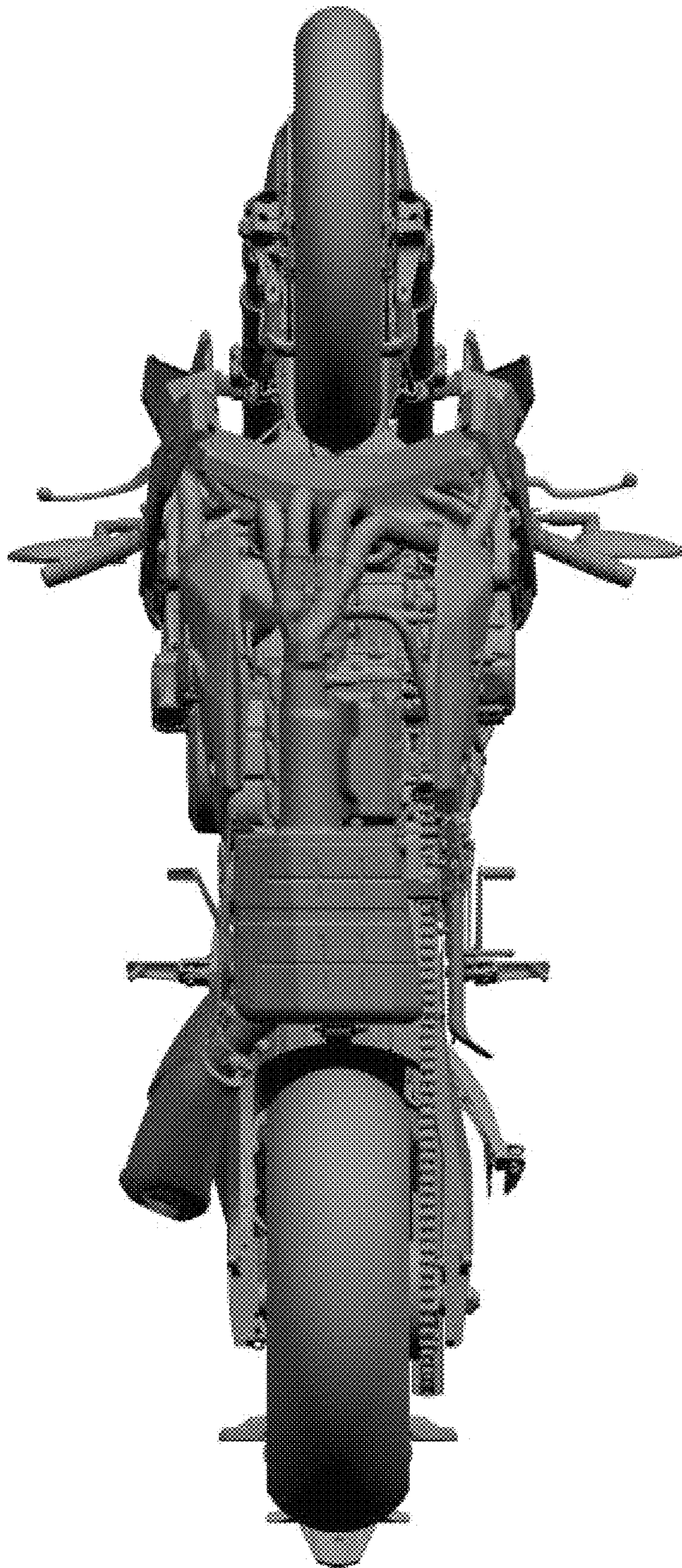


FIG. 4

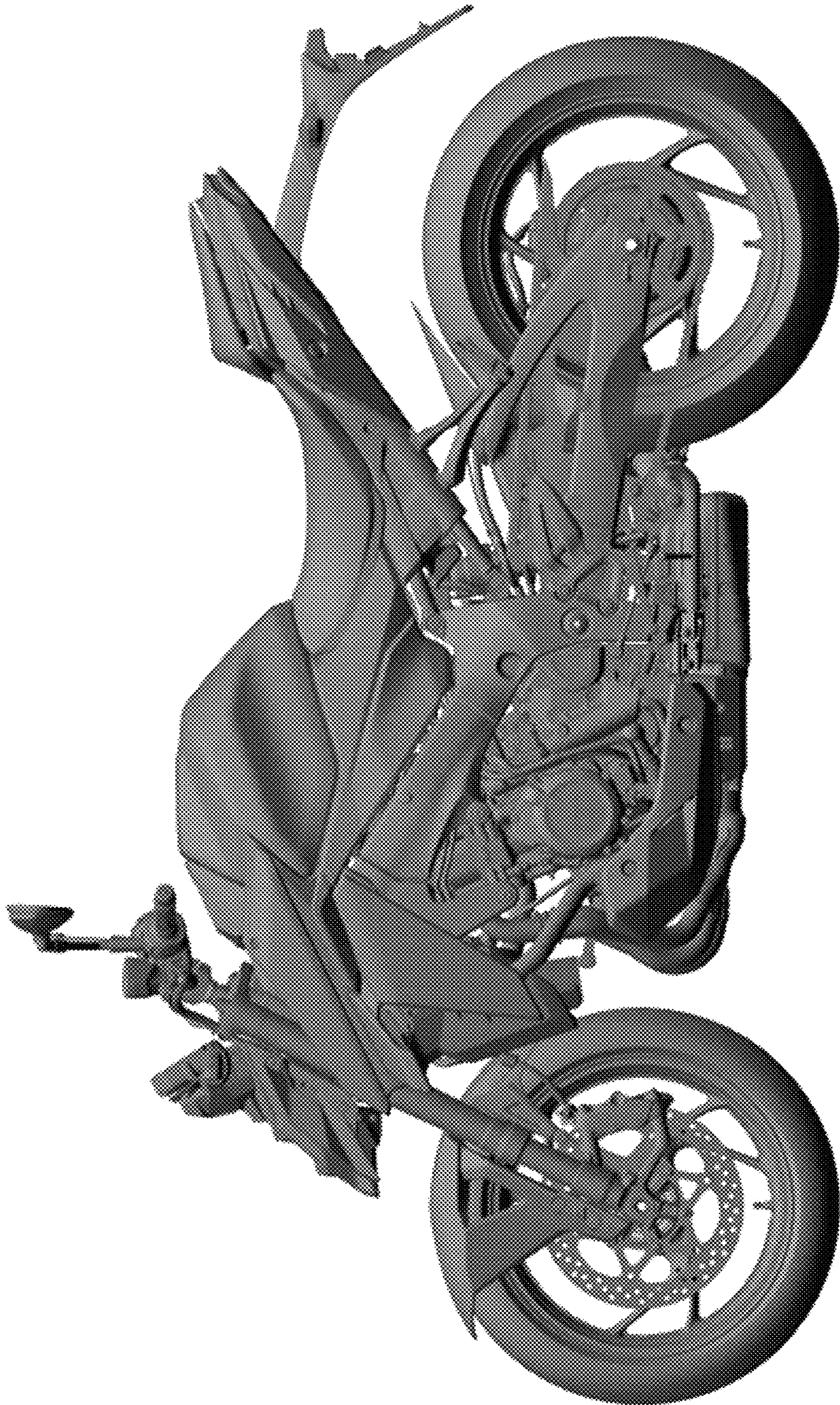


FIG. 5



FIG. 6



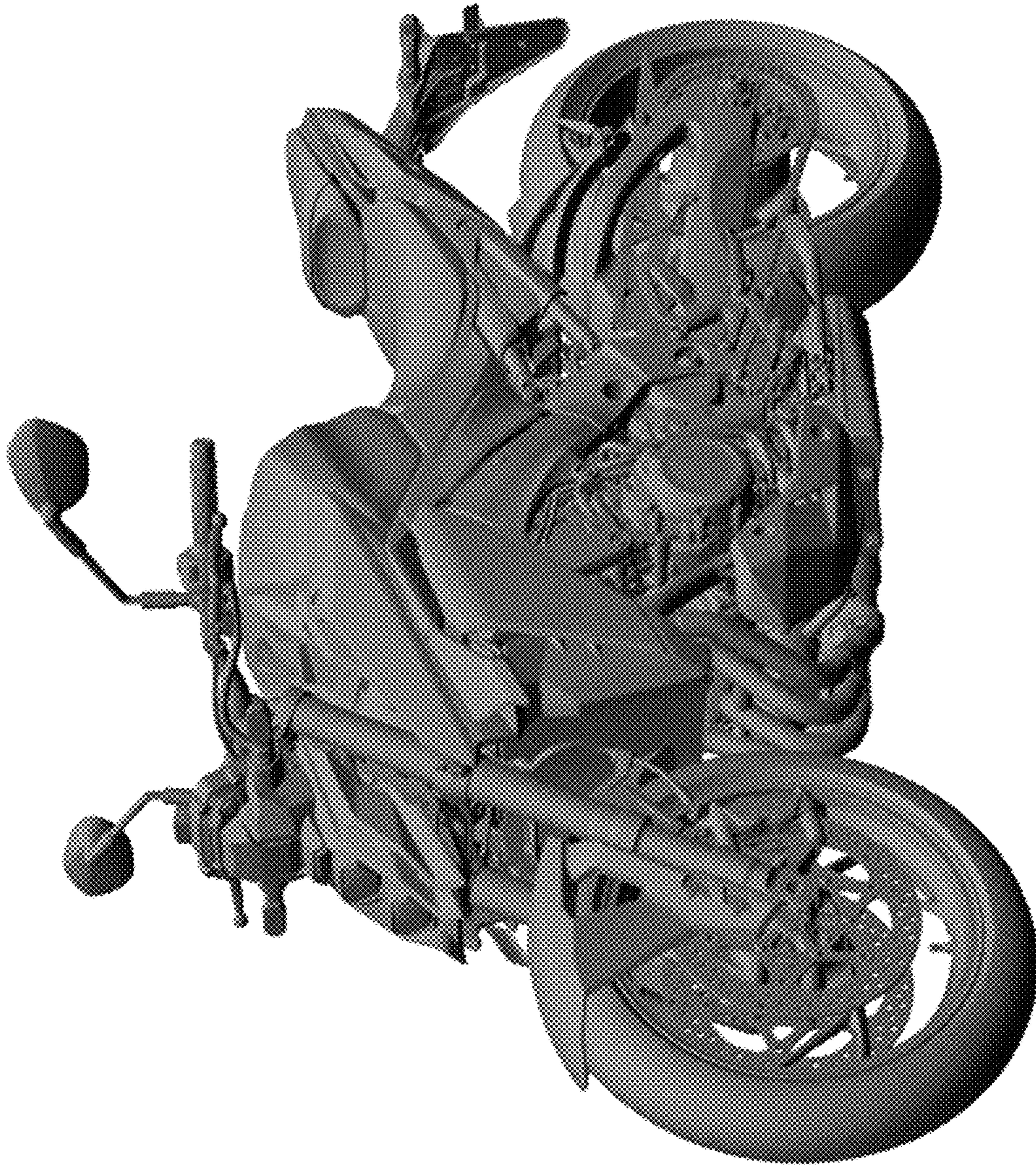


FIG. 7

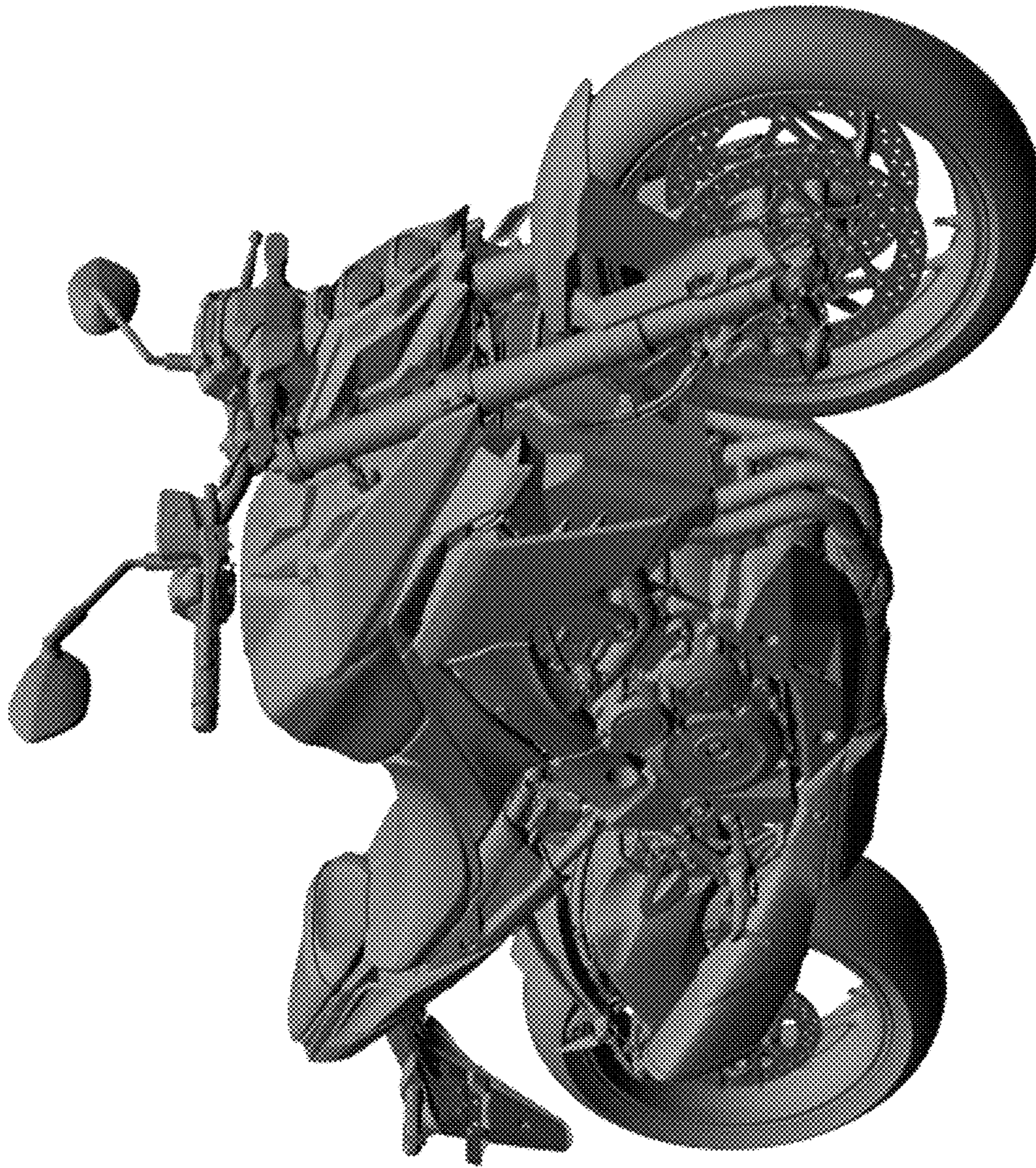


FIG. 8

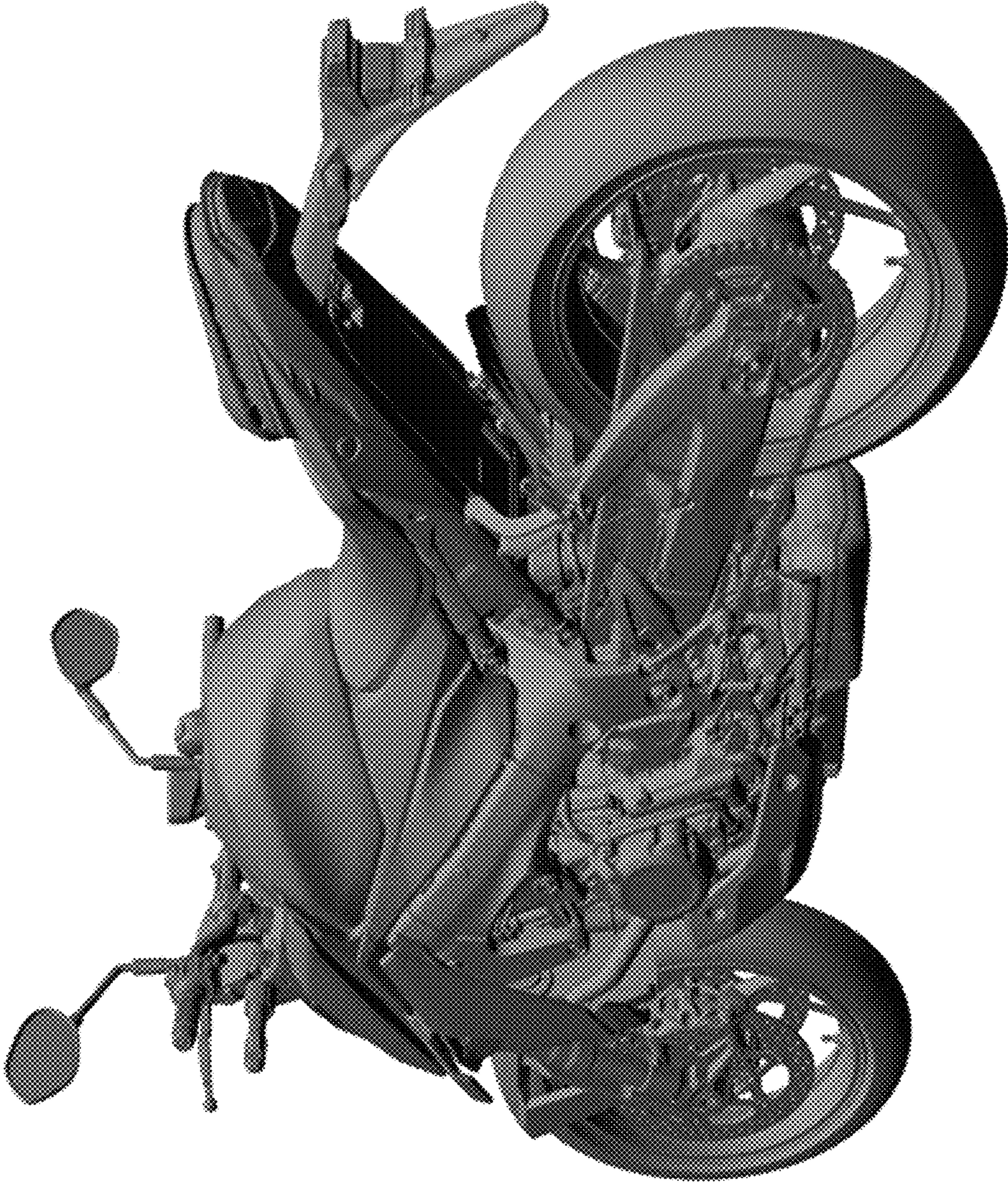


FIG. 9

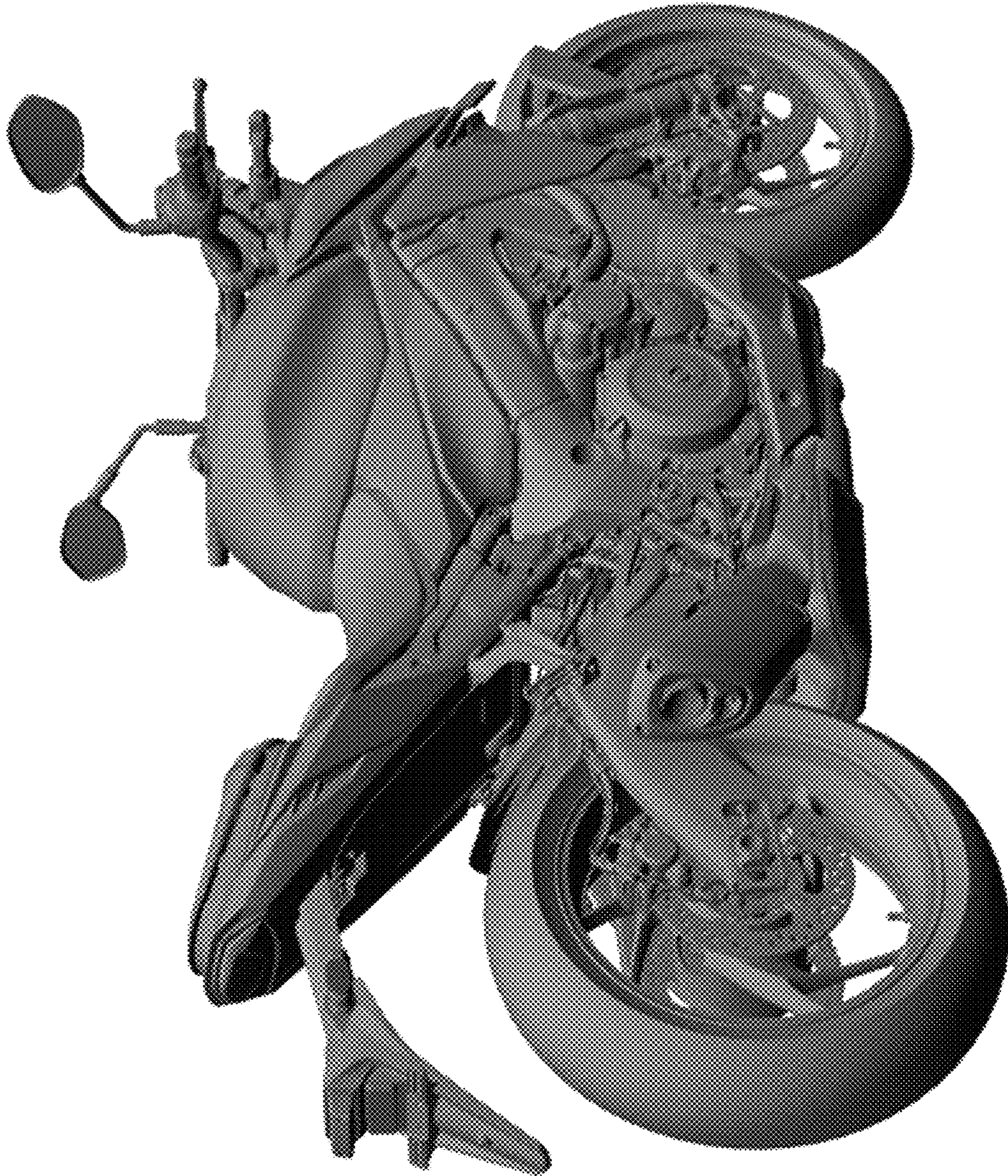


FIG. 10