



US00D986774S

(12) **United States Design Patent**  
**Pang et al.**

(10) **Patent No.:** **US D986,774 S**

(45) **Date of Patent:** **\*\* May 23, 2023**

(54) **ALL-STEEL ELECTRIC AND GASOLINE  
AGRICULTURAL ALL-TERRAIN VEHICLE**

(71) Applicant: **TUATARA MACHINERY LTD,**  
Canterbury (NZ)

(72) Inventors: **Qingmei Pang,** Canterbury (NZ);  
**Geoffrey James Hill,** Canterbury (NZ)

(73) Assignee: **Tuatara Machinery Ltd,** Christchurch  
(NZ)

(\*\*) Term: **15 Years**

(21) Appl. No.: **29/839,270**

(22) Filed: **May 19, 2022**

(51) **LOC (14) Cl.** ..... **12-08**

(52) **U.S. Cl.**  
USPC ..... **D12/87**

(58) **Field of Classification Search**  
USPC ..... D12/3, 4, 5, 14, 85, 86, 87, 107, 110  
CPC ... B62D 1/04; B62D 1/18; B62D 3/12; B62D  
5/0403; B62D 21/11; B62D 23/005;  
B60G 3/20; B60N 2/015; B60R 21/13  
See application file for complete search history.

(56) **References Cited**

**U.S. PATENT DOCUMENTS**

D522,919 S	6/2006	Teot	
D555,036 S *	11/2007	Eck	D12/87
D622,631 S *	8/2010	Lai	D12/87
D642,493 S *	8/2011	Goebert	D12/87
D650,311 S *	12/2011	Bracy	D12/87
D703,102 S *	4/2014	Eck	D12/87
8,944,449 B2 *	2/2015	Hurd	B62D 21/183 280/124.152
D735,077 S *	7/2015	Sato	D12/87
D737,724 S *	9/2015	Schroeder	D12/87
D748,038 S	1/2016	Bennett	
D756,845 S *	5/2016	Flores	D12/87
D764,974 S	8/2016	Mikhailov et al.	

D767,444 S	9/2016	Chun et al.	
D772,757 S	11/2016	Tu et al.	
9,540,052 B2 *	1/2017	Burt, II	B60J 10/80
9,889,777 B2 *	2/2018	Proulx	B60N 2/38
9,932,073 B2 *	4/2018	Dube	B60K 13/02
D828,225 S	9/2018	Zhang et al.	
10,207,555 B2 *	2/2019	Mailhot	B60R 21/13
D852,674 S *	7/2019	Wilcox	D12/87

(Continued)

**OTHER PUBLICATIONS**

“Cfmoto Experience More Together 2021.” Cfmoto Brochure., Dec. 28, 2020 [online], [retrieved on Oct. 10, 2021]. Retrieved from the Internet <URL: [https://cfmoutusa.com/Portals/0/2021\\_brochure.pdf](https://cfmoutusa.com/Portals/0/2021_brochure.pdf)>.\*

(Continued)

*Primary Examiner* — Darlington Ly

(74) *Attorney, Agent, or Firm* — Bay State IP, LLC

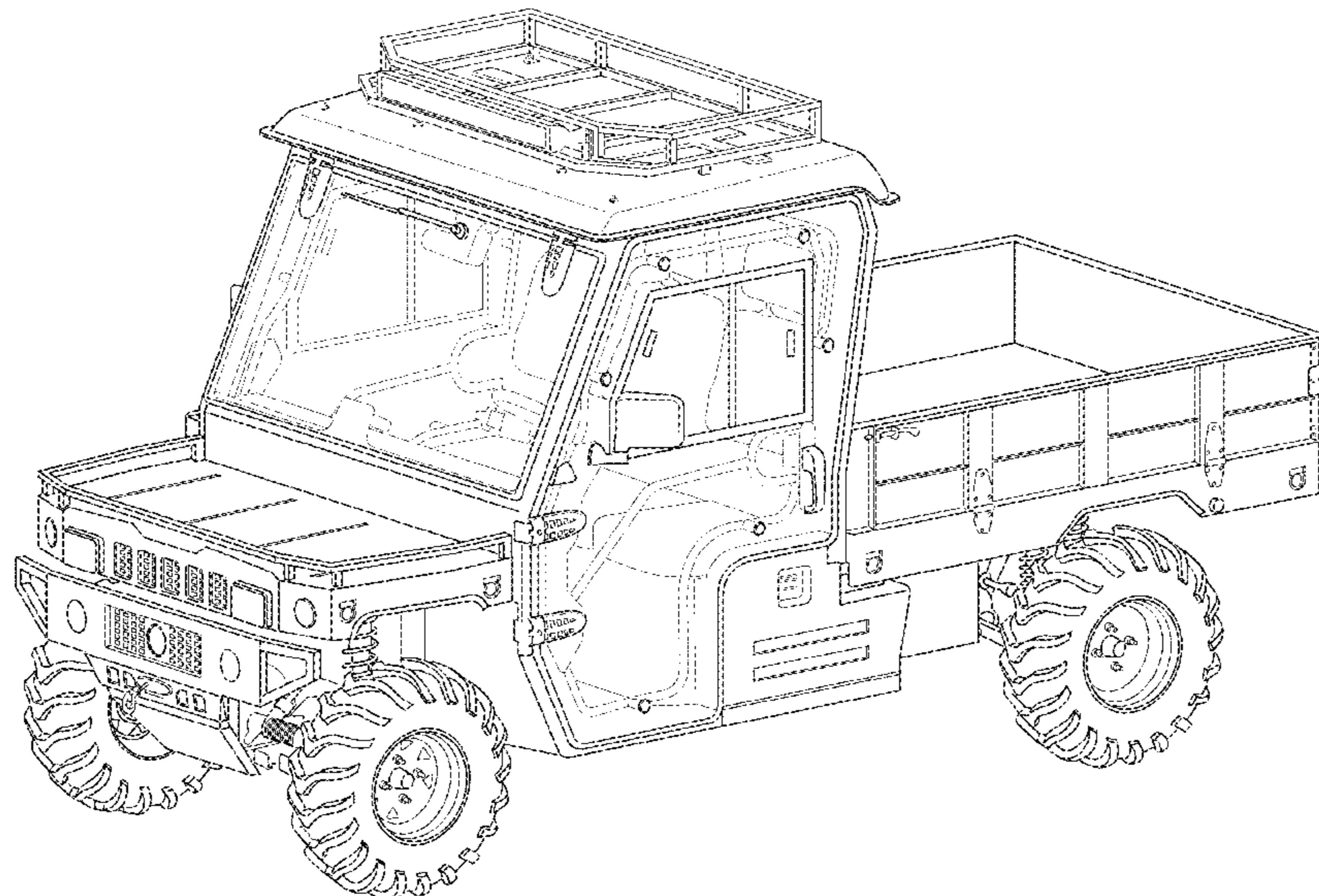
(57) **CLAIM**

The ornamental design for an all-steel electric and gasoline agricultural all-terrain vehicle, as shown and described.

**DESCRIPTION**

FIG. 1 is a front and left side perspective view of an all-steel electric and gasoline agricultural all-terrain vehicle embodying our new design;  
FIG. 2 is a left side elevation view thereof;  
FIG. 3 is a right side elevation view thereof;  
FIG. 4 is a top plan view thereof;  
FIG. 5 is a bottom plan view thereof;  
FIG. 6 is a front elevation view thereof;  
FIG. 7 is a rear elevation view thereof;  
FIG. 8 is an interior perspective view thereof taken from the left side; and,  
FIG. 9 is an interior perspective view thereof showing the dashboard and steering wheel.

**1 Claim, 9 Drawing Sheets**



(56)

**References Cited**

U.S. PATENT DOCUMENTS

10,369,861 B2 \* 8/2019 Deckard ..... B62D 3/12  
 10,399,435 B2 \* 9/2019 Bastien ..... B60K 15/03504  
 10,479,422 B2 \* 11/2019 Hollman ..... B62D 29/00  
 D879,663 S \* 3/2020 Barlow, Jr. .... D12/87  
 10,607,091 B2 \* 3/2020 Kawamoto ..... B60R 1/00  
 10,655,574 B2 \* 5/2020 Hamada ..... F02M 35/10288  
 10,800,219 B2 10/2020 Harper  
 D904,931 S \* 12/2020 Lai ..... D12/87  
 D944,124 S 2/2022 Spada  
 D952,515 S 5/2022 Lai et al.  
 2019/0185077 A1 6/2019 Smith et al.

OTHER PUBLICATIONS

“2021 Polaris Ranger 500” Polaris., posted date Jun. 3, 2021 [online], [retrieved on Jul. 14, 2021]. Retrieved from the Internet <URL: <https://woodsidesmotorsports.net/Utility-Vehicles-Polaris-Ranger-500-2021-Hailey-ID-45291521-04cc-43ec-bdc6-abe6001ff6ed>> (Year: 2021).\*

“2016 Cfmoto Uforce 800 EPS.” Young Power Sports., Jun. 6, 2016 [online], [retrieved on Oct. 10, 2021]. Retrieved from the Internet <URL: <https://www.youngpowersportsogden.com/new-models/2016-cfmoto-uforce-800-eps-22974081b>>.\*

2003 Chevy Silverado 2500HD Diesel 2WD, <https://str8uptoytrader.com/vehicle/2003-chevy-silverado-2500hd-diesel-2wd/>.

2006 Chevy Silverado Duramax 2500HD LT, [https://www.pipionshop.com/?product\\_id=153213630\\_85](https://www.pipionshop.com/?product_id=153213630_85).

Design search report, dated Aug. 11, 2022.

\* cited by examiner

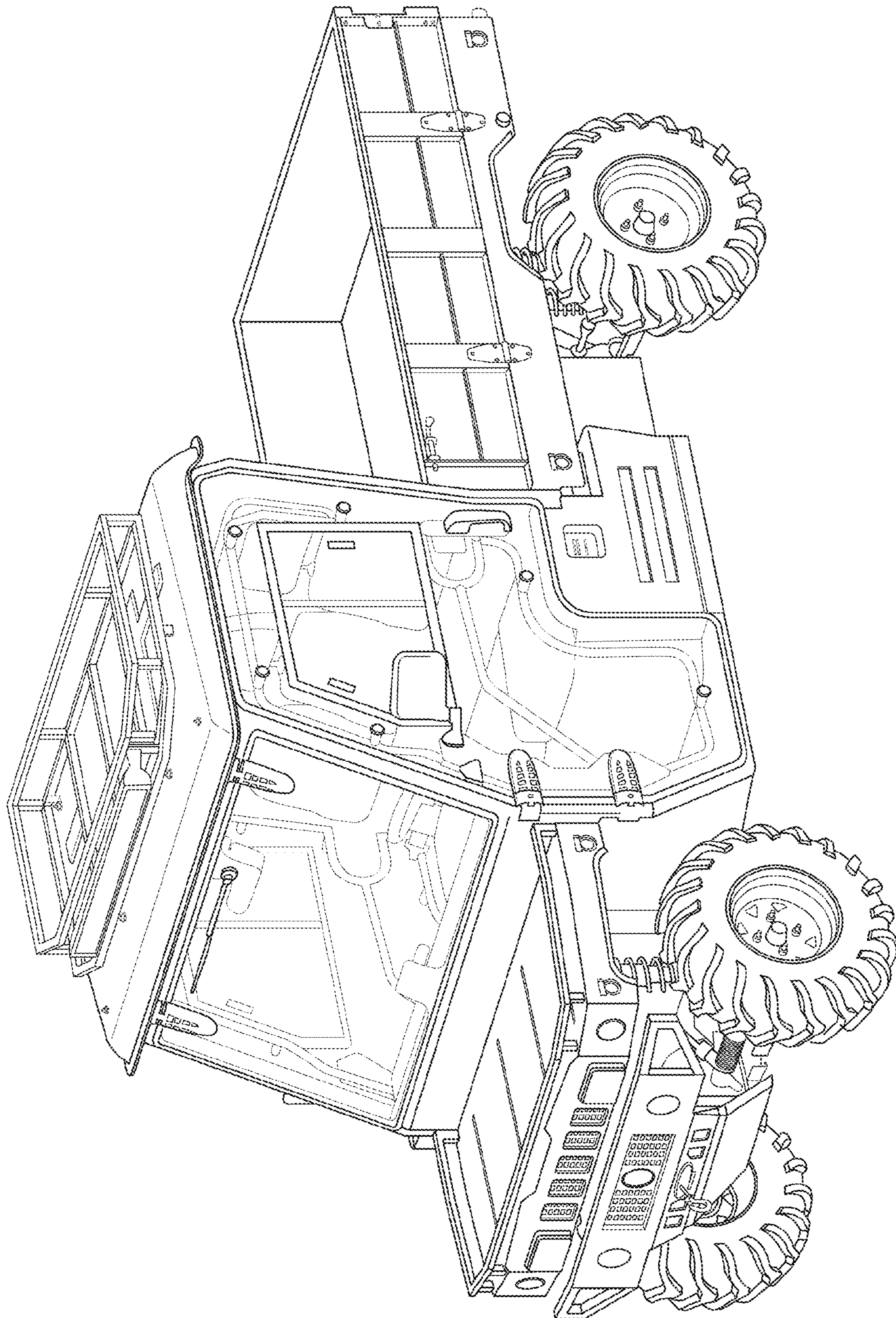


Fig. 1

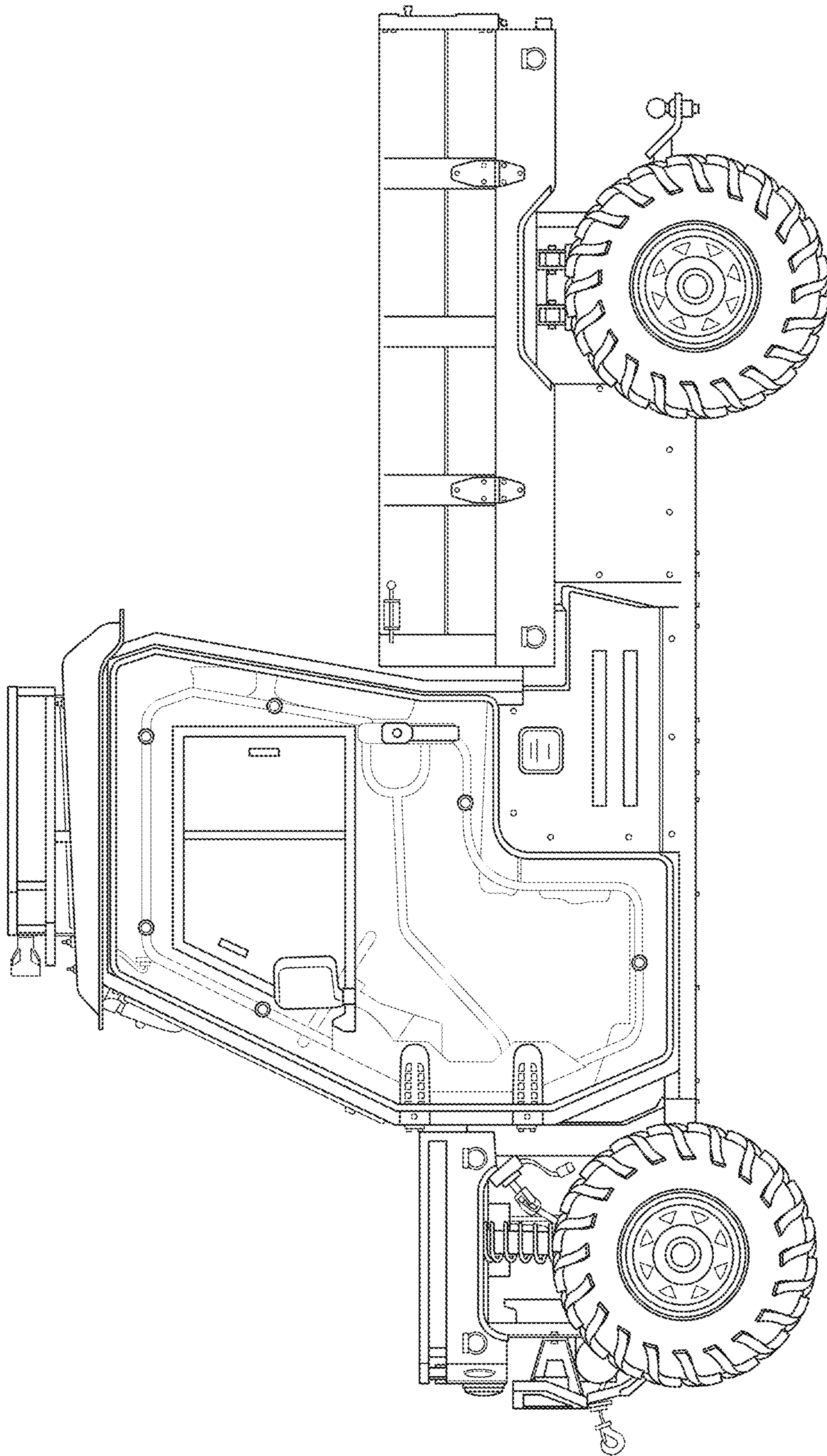


Fig. 2

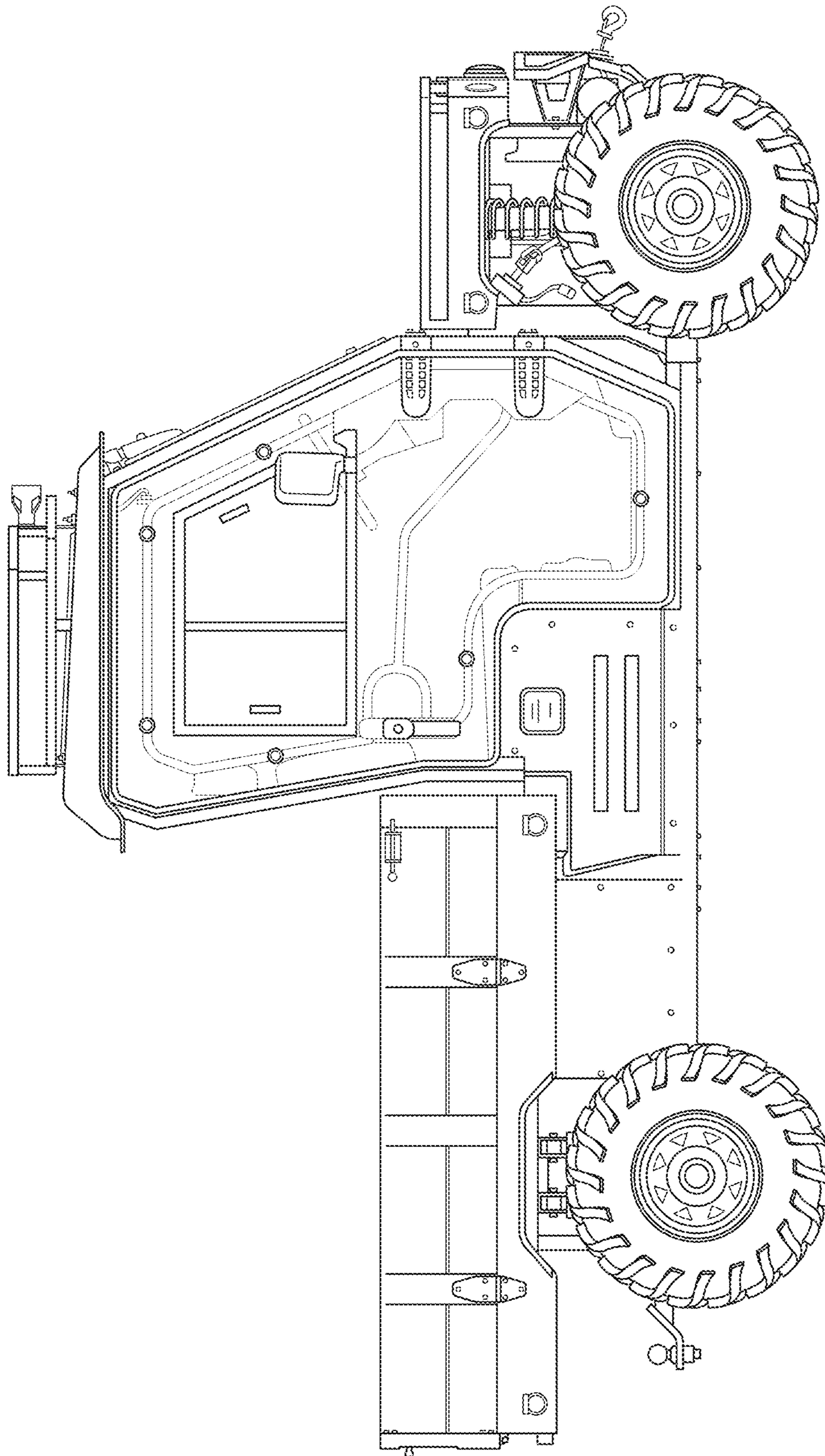


Fig. 3

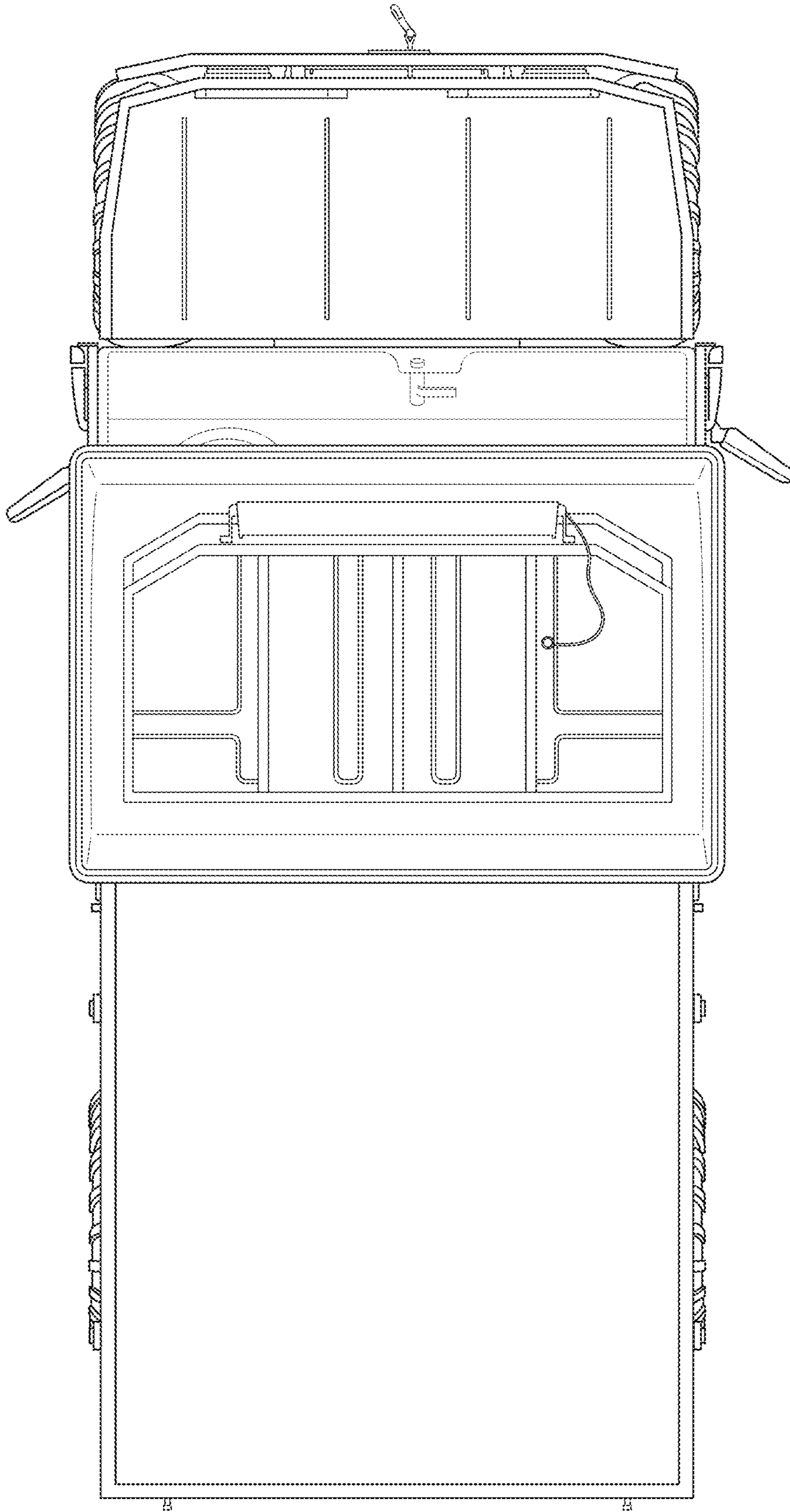


Fig. 4

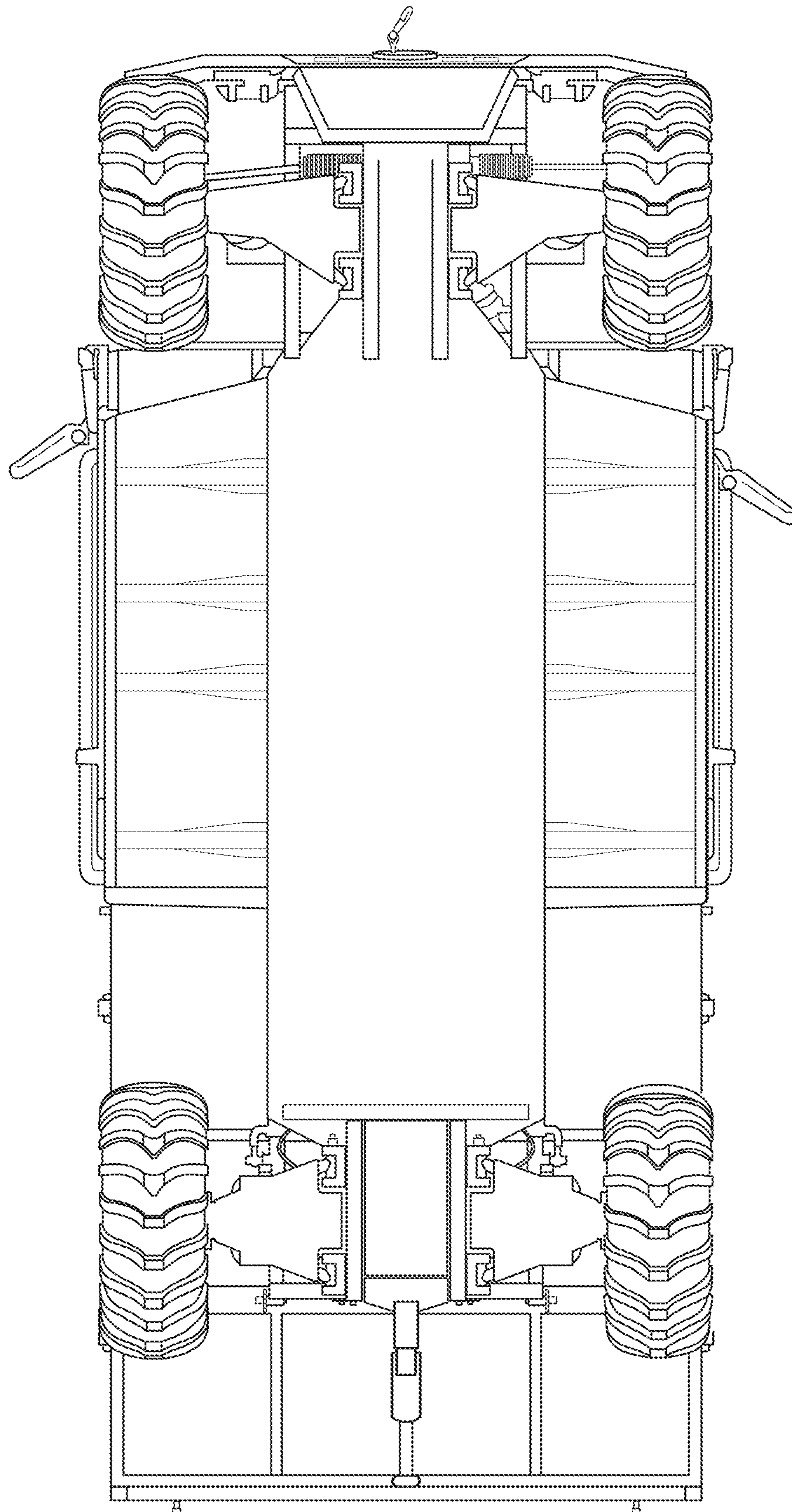
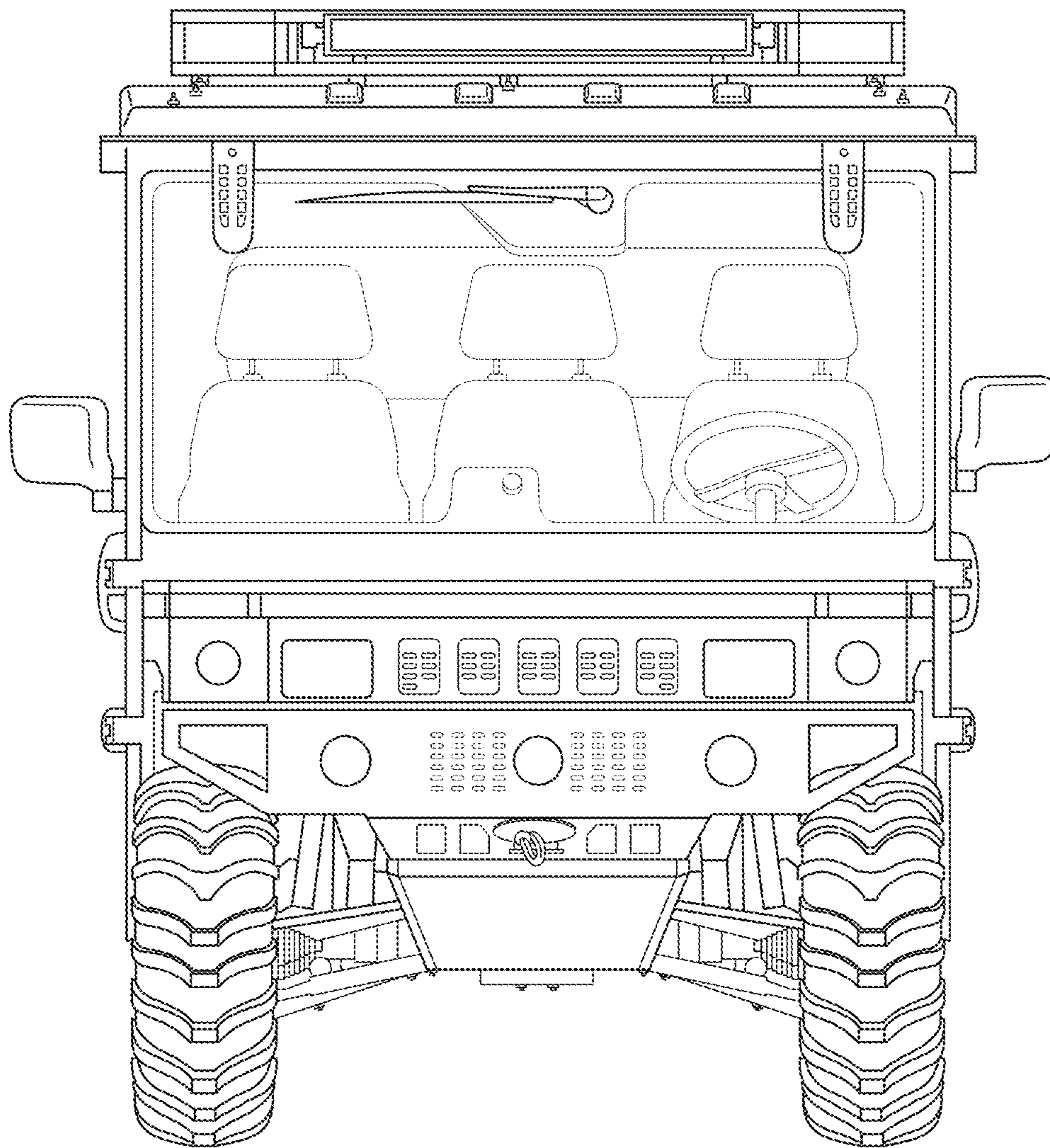
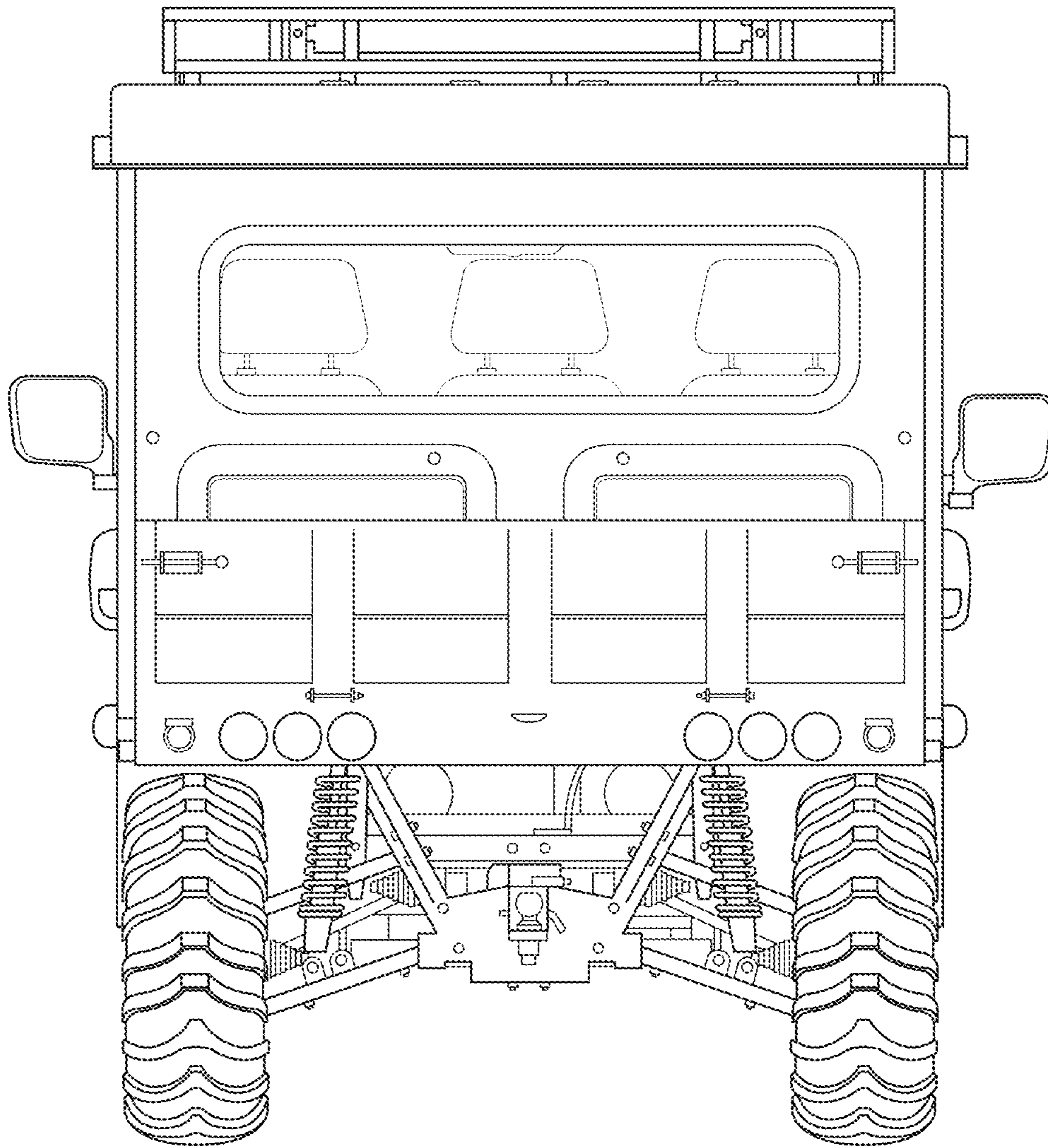


Fig. 5

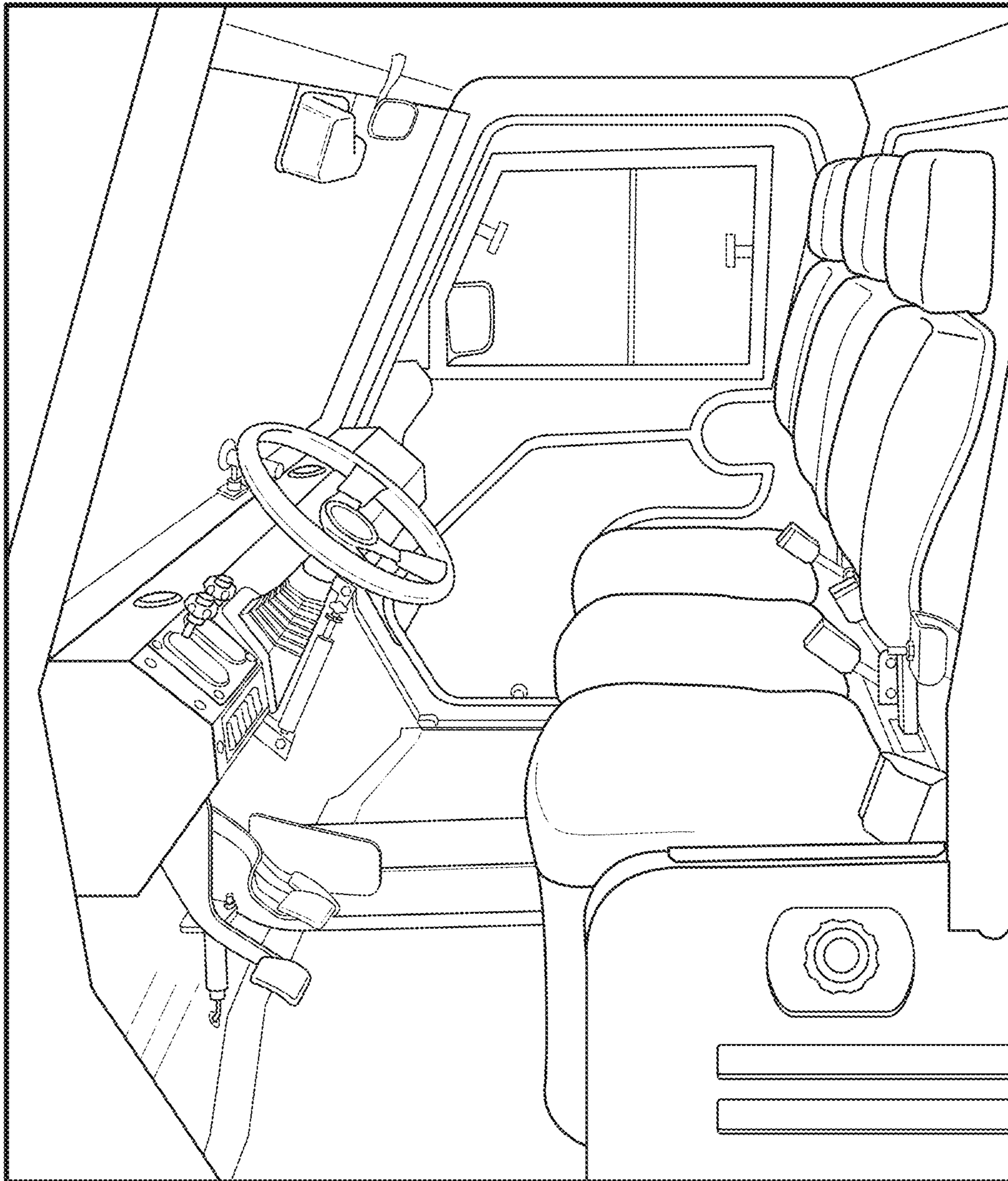


*Fig. 6*

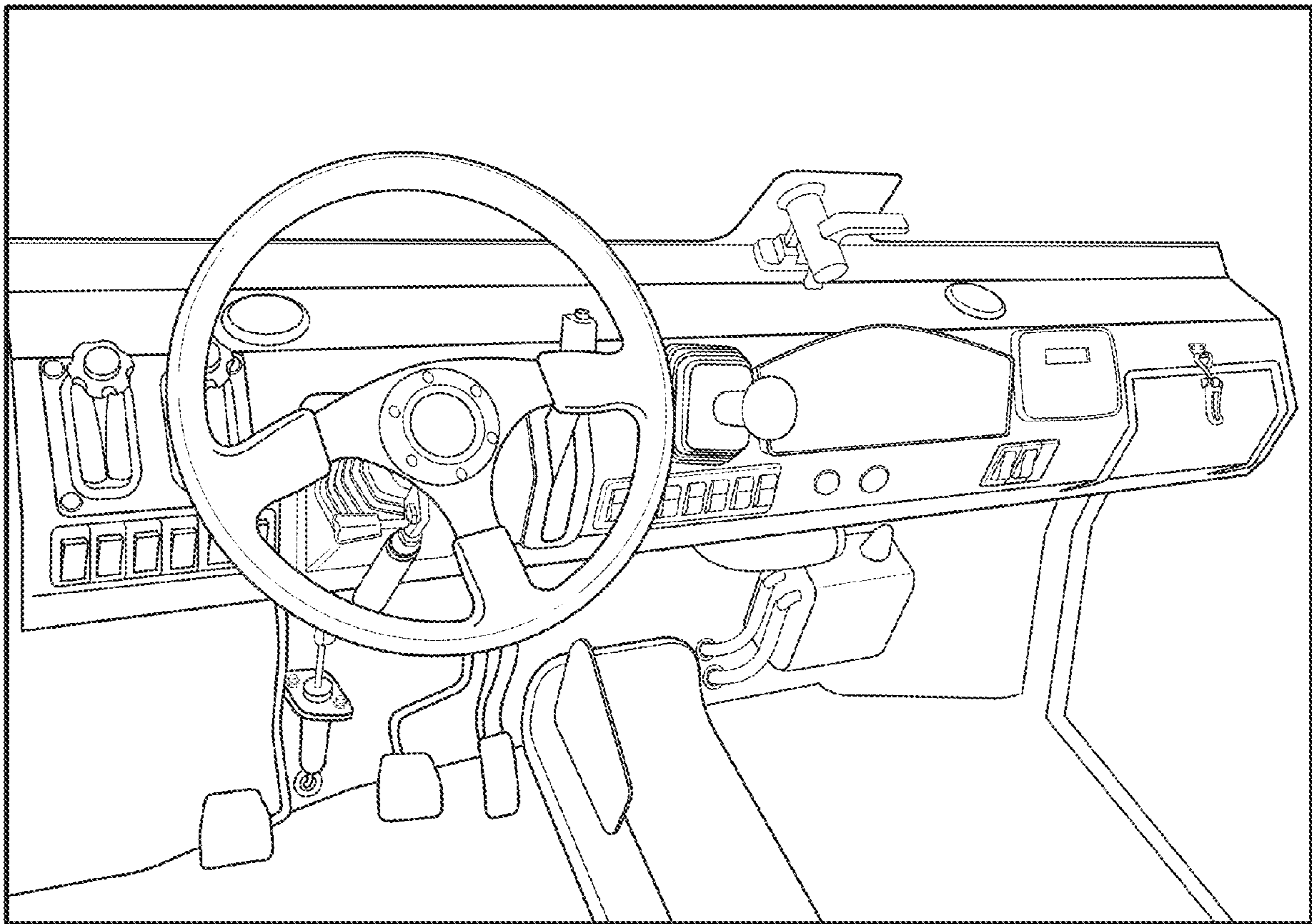




*Fig. 7*



*Fig. 8*



*Fig. 9*