



US00D986772S

(12) **United States Design Patent** (10) **Patent No.:** **US D986,772 S**
Kurthy (45) **Date of Patent:** **** May 23, 2023**

- (54) **COMPACT FUEL RESERVOIR**
- (71) Applicant: **Rodger Kurthy**, Coto de Caza, CA (US)
- (72) Inventor: **Rodger Kurthy**, Coto de Caza, CA (US)
- (73) Assignee: **Perfec Cigar Solutions, Inc.**
- (**) Term: **15 Years**
- (21) Appl. No.: **29/850,620**
- (22) Filed: **Aug. 22, 2022**
- (51) **LOC (14) Cl.** **12-10**
- (52) **U.S. Cl.**
USPC **D13/101**
- (58) **Field of Classification Search**
USPC D13/101, 102, 103, 104, 105, 106, 110,
D13/118, 119, 184, 199
CPC .. H01M 2/1055; H01M 2/105; H01M 10/425;
G06F 1/1635
See application file for complete search history.

(56) **References Cited**

U.S. PATENT DOCUMENTS

D741,254 S	*	10/2015	Kelly	D13/101
D750,290 S	*	2/2016	Potter	D26/8
D844,453 S	*	4/2019	Abell	D9/719
D909,276 S	*	2/2021	Monell	D12/218
D909,663 S	*	2/2021	Wu	D26/114
D910,901 S	*	2/2021	Wu	D26/114
D911,180 S	*	2/2021	André de Azevedo Magalhães	...	D9/528
D923,427 S	*	6/2021	Malinky	D7/624.2
D933,196 S	*	10/2021	Gibb	D23/499
D934,773 S	*	11/2021	Monell	D12/218
D934,957 S	*	11/2021	Shim	D21/441
D935,553 S	*	11/2021	Wang	D23/211.1
D942,920 S	*	2/2022	Monell	D12/218

OTHER PUBLICATIONS

Fuel Tanks. (Design—© Questel) orbit.com. [Online PDF compilation of references] 44 pgs. Print Dates Range Jul. 20, 2022-Oct. 14, 2022 [Retrieved Mar. 23, 2023].*

Double Wall Fuel Oil Storage Tank. Before 2023. AF Supply, <https://www.afsupply.com/roth-2335101861-165-gallon-double-wall-fuel-oil-storage-tank.html>.*

Ldi Industries Reservoir. Before 2023. Zoro. https://www.zoro.com/ldi-industries-reservoir-8-oz-r107-02/i/G1151866/?utm_source=google&utm_medium=surfaces&utm_campaign=shopping%20feed&utm_content=free%20google%20shopping%20clicks&gclid=Cj0KCQjw8e-gBhD0ARIsAJiDsaVe_IKo_7r2LpNhy36HelaJy2daw_wPL0wnDXmH1EPsval1Ss9_L.*

60 Gallon Natural White XLPE Double Wall. Before 2023. Harrington. <https://store.hipco.com/product/5680002N42>.*

* cited by examiner

Primary Examiner — George D. Kirschbaum
Assistant Examiner — Suzanne E Tisdell
 (74) *Attorney, Agent, or Firm* — QuickPatents, LLC;
 Kevin Prince

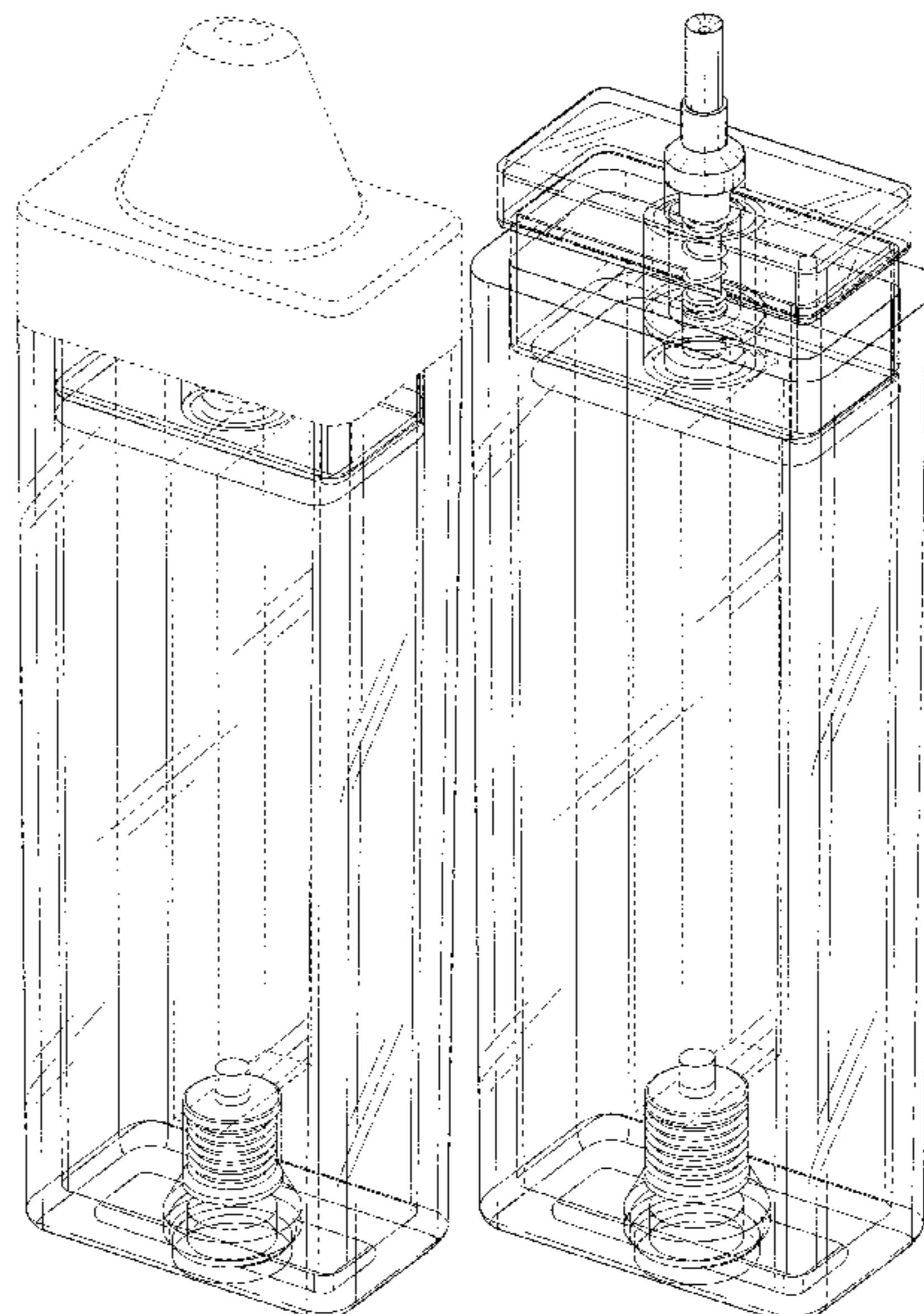
(57) **CLAIM**

The ornamental design for a compact fuel reservoir, as shown and described.

DESCRIPTION

FIG. 1 is a top perspective view of a compact fuel reservoir, showing my new design;
 FIG. 2 is a top perspective view thereof;
 FIG. 3 is a front elevational view thereof;
 FIG. 4 is a rear elevational view thereof;
 FIG. 5 is a left-side elevational view thereof;
 FIG. 6 is a right-side elevational view thereof;
 FIG. 7 is a top plan view thereof;
 FIG. 8 is a bottom plan view thereof; and,
 FIG. 9 is a bottom perspective view thereof.
 The broken line showing of a cap in FIG. 1 and the broken lines disclosed in the other figures form no part of the claimed design.

1 Claim, 7 Drawing Sheets



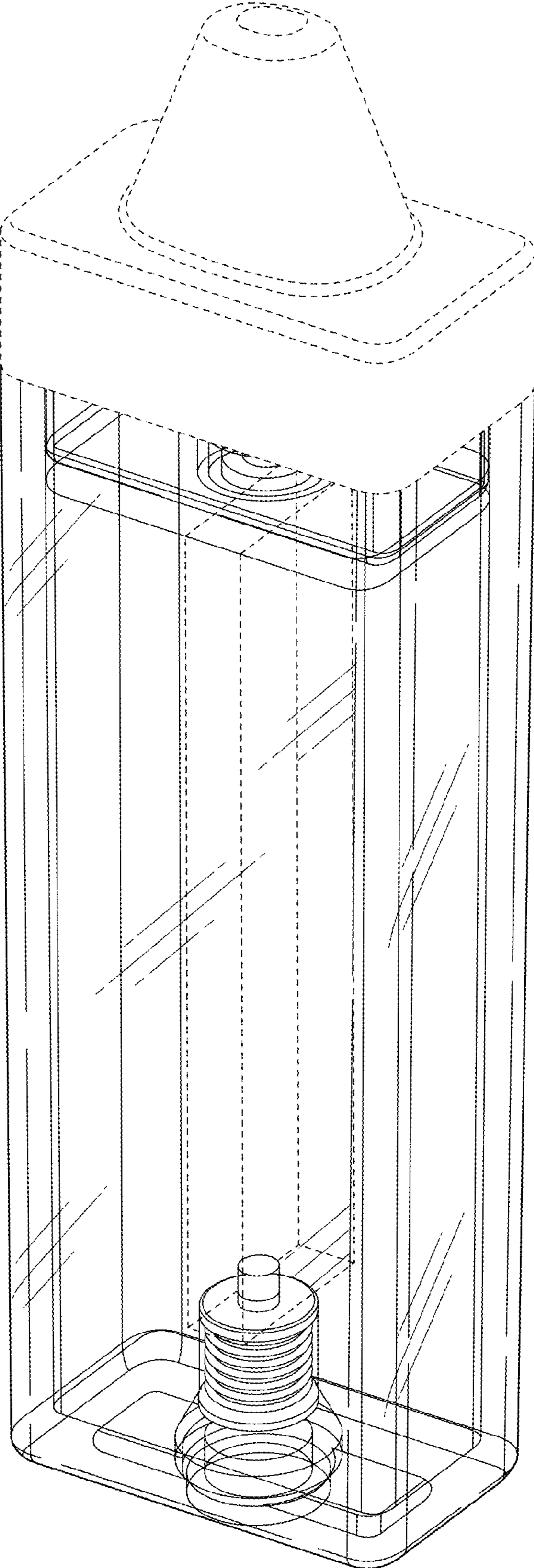


FIG. 1

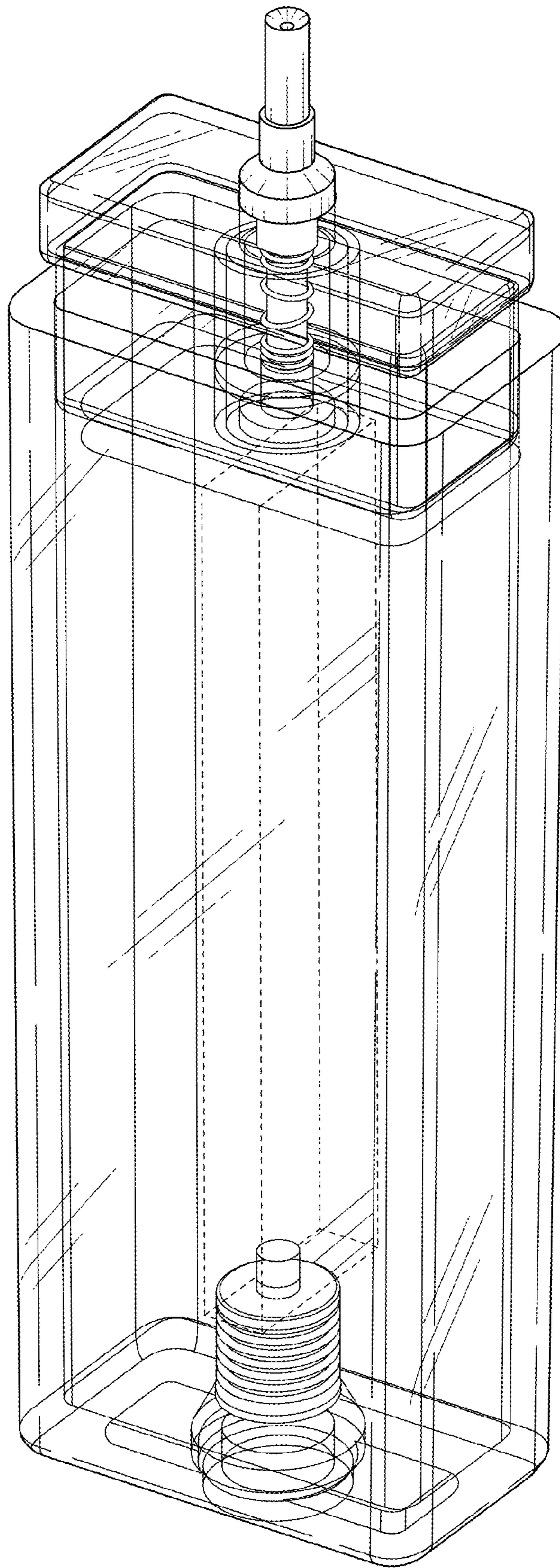


FIG. 2

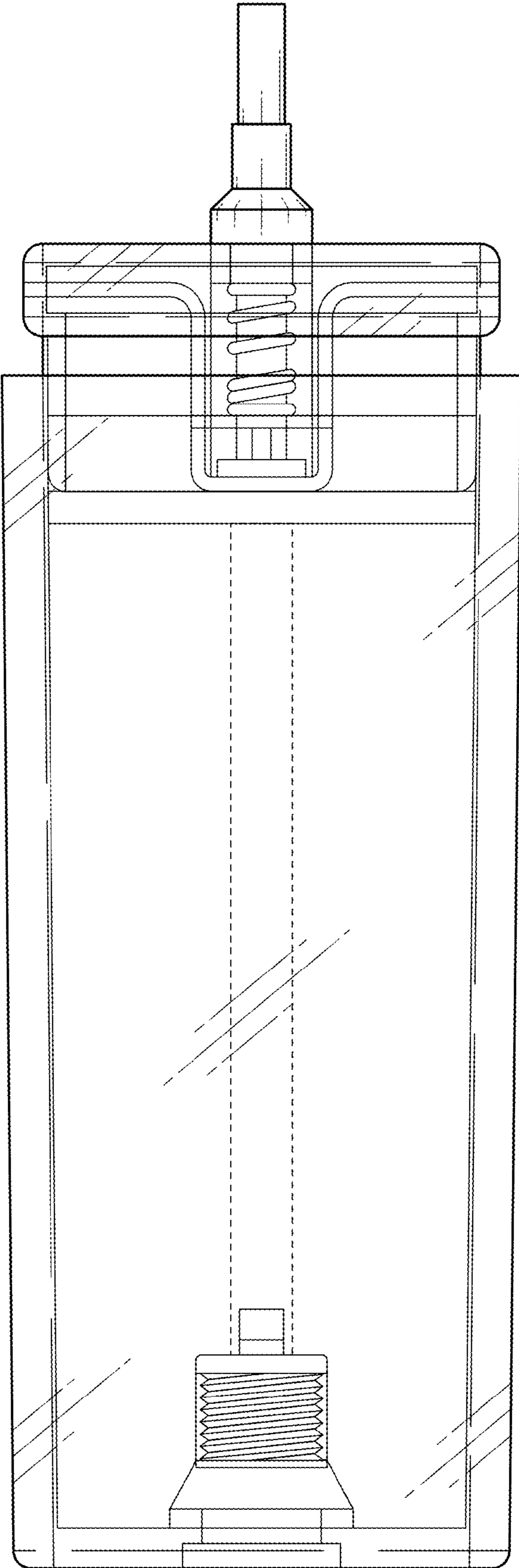


FIG. 3

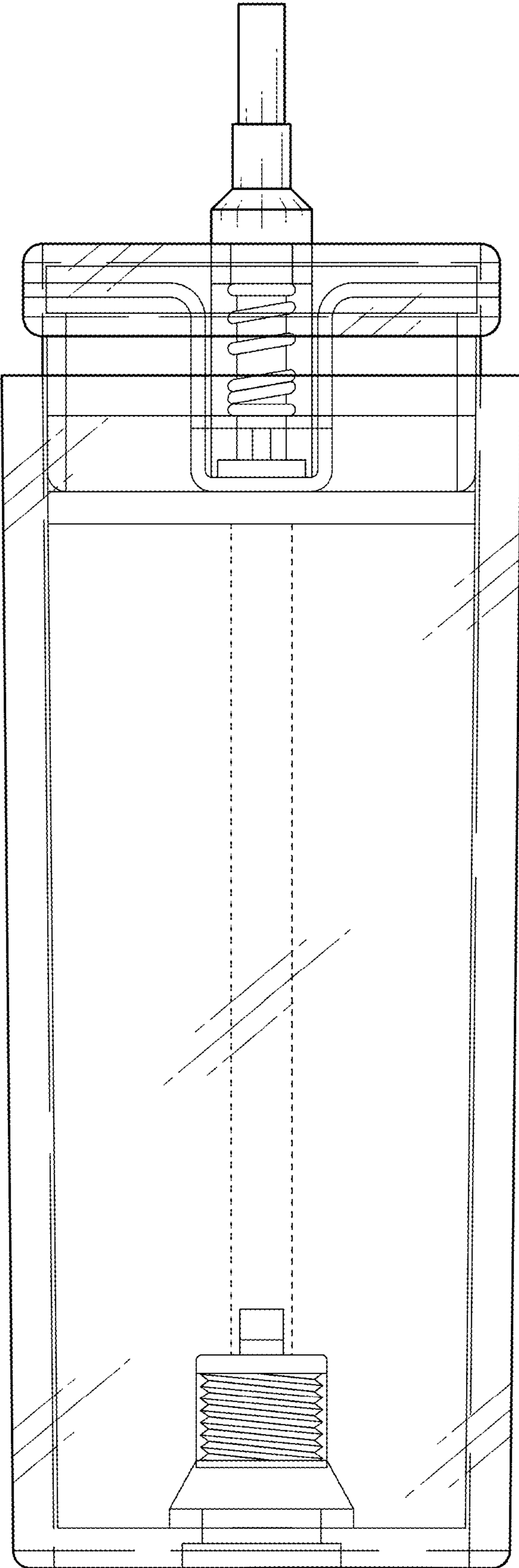


FIG. 4

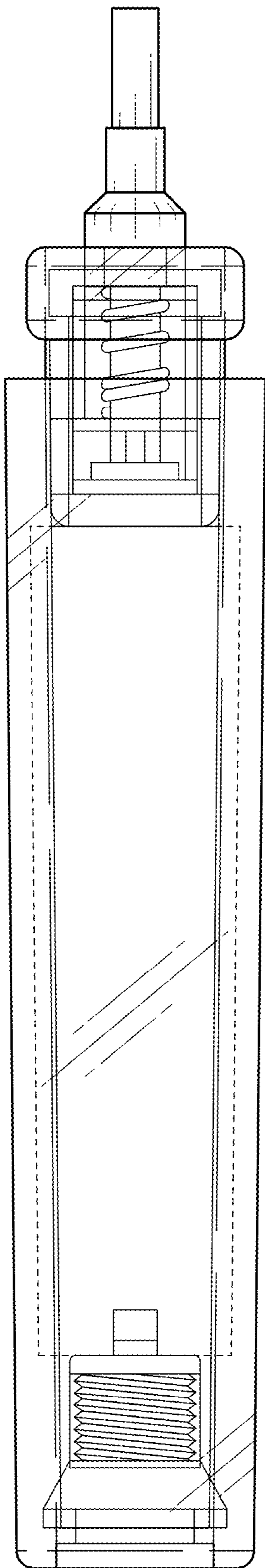


FIG. 5

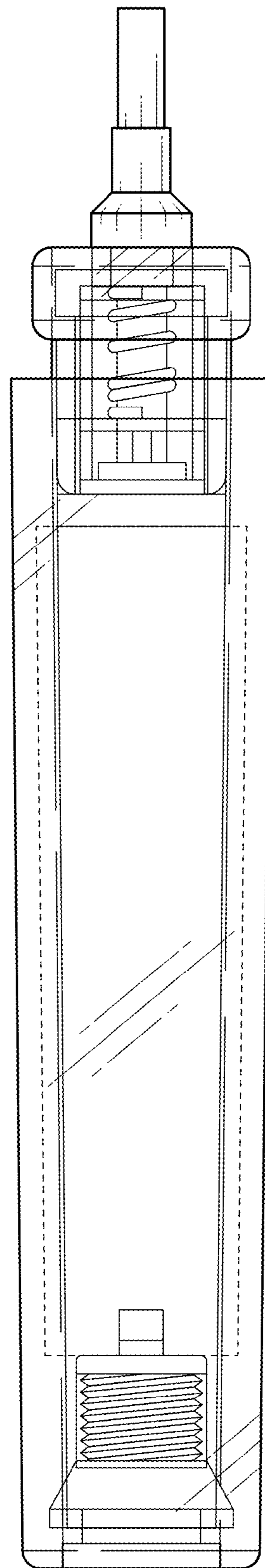


FIG. 6

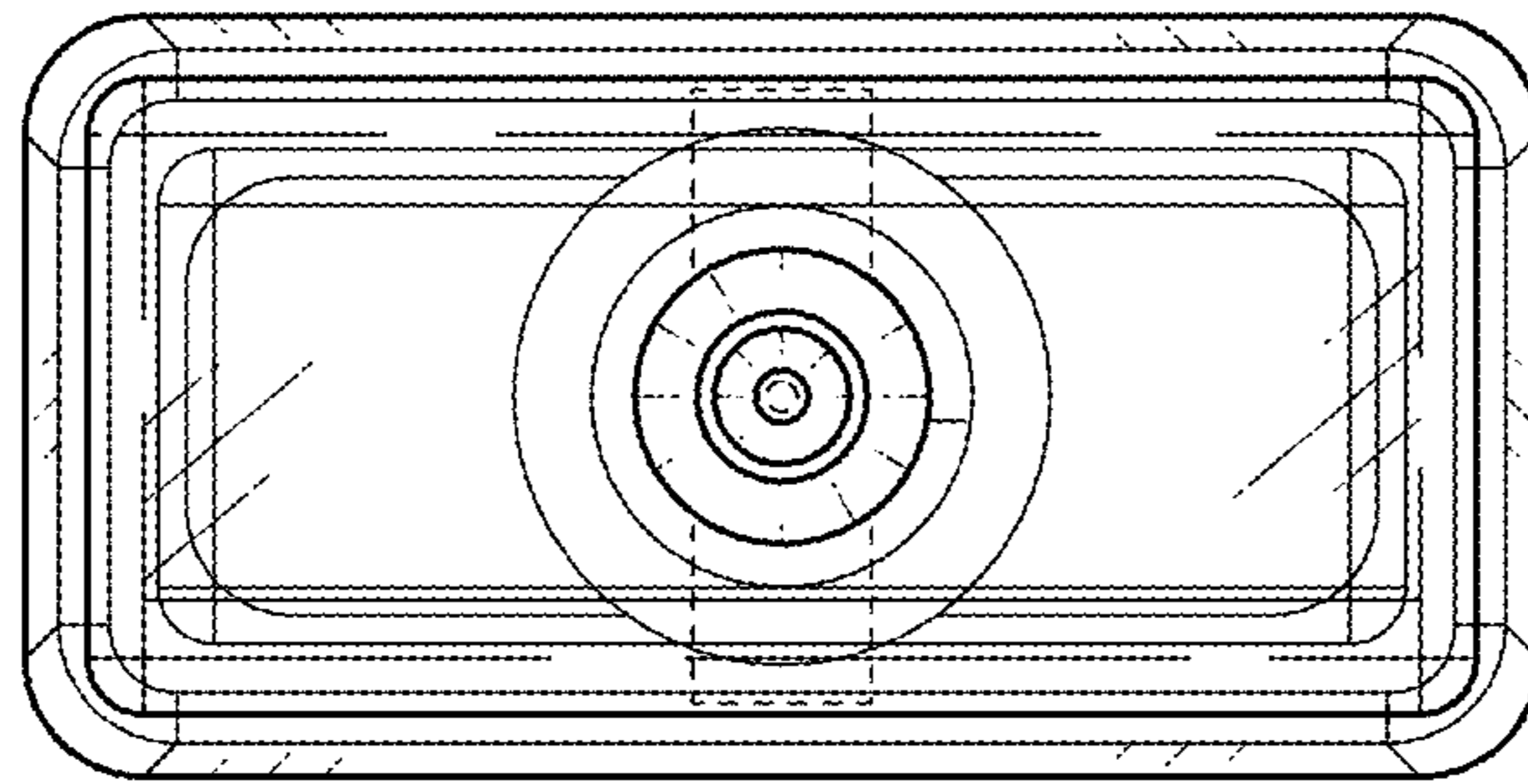


FIG. 7

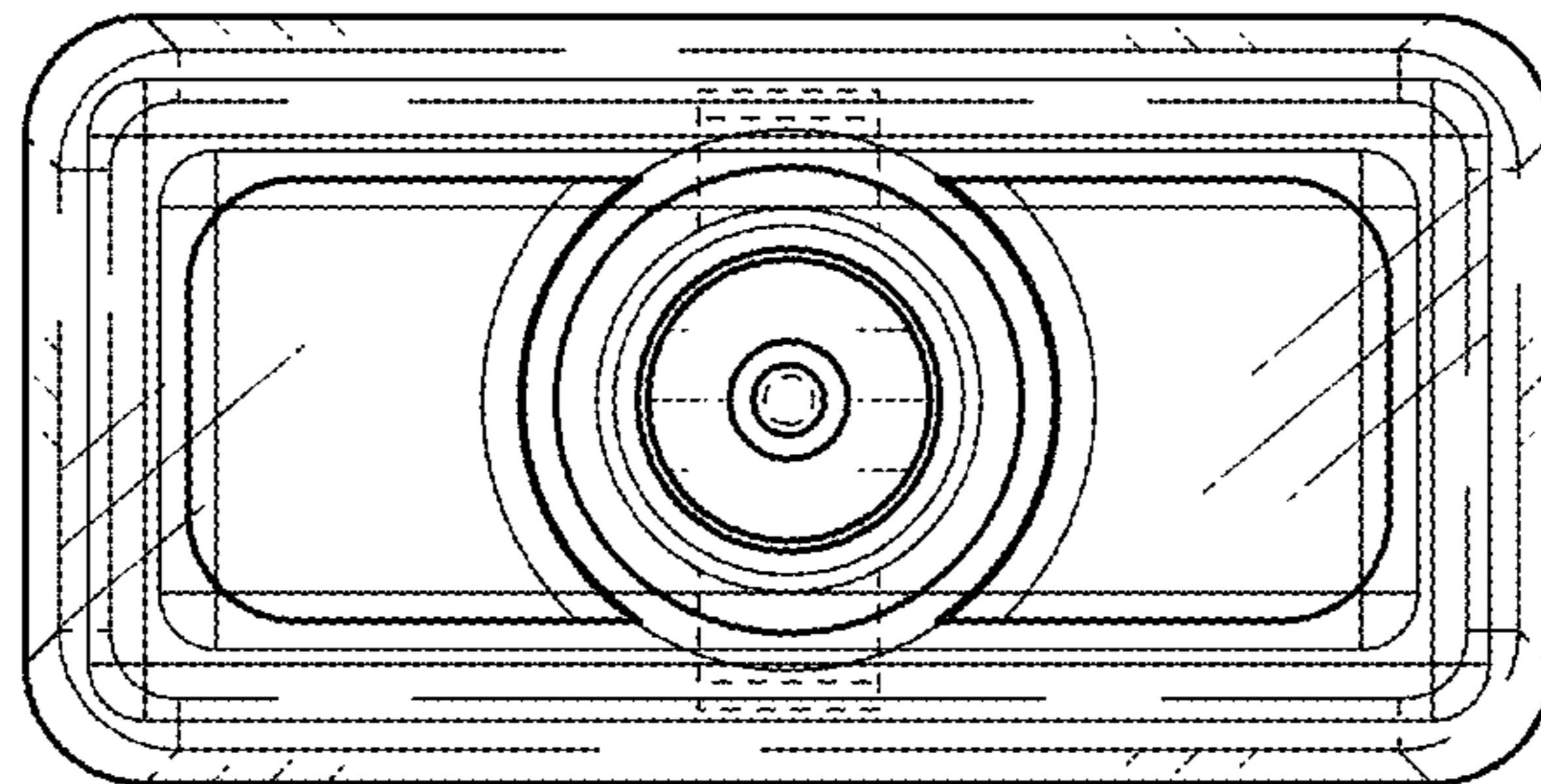


FIG. 8

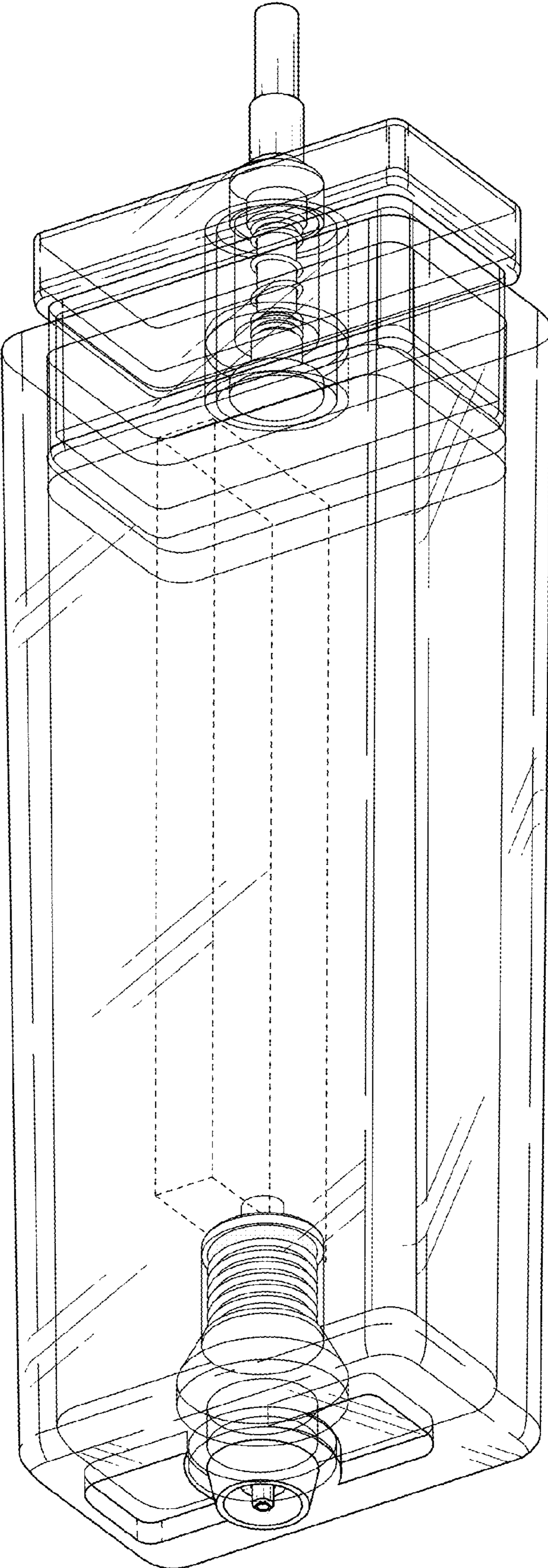


FIG. 9