



US00D986770S

(12) **United States Design Patent**
Motwani

(10) **Patent No.:** **US D986,770 S**

(45) **Date of Patent:** **** May 23, 2023**

(54) **GOLF CART**

(71) Applicant: **Kinetic Green Tonino Lamborghini Private Limited, Maharashtra (IN)**

(72) Inventor: **Sulajja Firodia Motwani, Pune (IN)**

(73) Assignee: **Kinetic Green Tonino Lamborghini Private Limited, Pune (IN)**

(**) Term: **15 Years**

(21) Appl. No.: **29/802,273**

(22) Filed: **Aug. 4, 2021**

(30) **Foreign Application Priority Data**

Feb. 4, 2021 (IN) 338606-001

Feb. 4, 2021 (IN) 338607-001

(51) **LOC (14) Cl.** **12-02**

(52) **U.S. Cl.**
USPC **12/16**

(58) **Field of Classification Search**
USPC D12/14-16, 86-93, 107, 433; D34/15
CPC B60R 2011/0005; B60R 2011/0003; B60N
3/101; B60N 3/105; B62D 21/183; B62D
31/003; B60L 2200/22

See application file for complete search history.

(56) **References Cited**

U.S. PATENT DOCUMENTS

D277,629 S * 2/1985 Murray D12/223
D569,333 S * 5/2008 Hartford D12/16
7,585,010 B2 * 9/2009 Hardy B60N 2/012
296/213
D617,681 S * 6/2010 Tuo D12/16
D618,137 S * 6/2010 Yuan D12/16
D624,849 S * 10/2010 Ball D12/16

D640,596 S * 6/2011 Zhang D12/16
D646,201 S * 10/2011 Zhang D12/16
D646,604 S * 10/2011 Zhang D12/16
D652,349 S * 1/2012 Kristensen D12/16
8,714,572 B1 * 5/2014 Singletary B60G 15/06
280/124.113
D721,012 S * 1/2015 Zhang D12/16
D746,174 S * 12/2015 Storms D12/16
D762,141 S * 7/2016 Zhou D12/16
D879,662 S * 3/2020 Dubanowski D12/16
D892,676 S * 8/2020 Hu D12/16
11,133,537 B2 * 9/2021 King H01M 10/617

OTHER PUBLICATIONS

“New electric golf cart range” Kinetic Green., posted date Nov. 24, 2021 [online], [retrieved on Oct. 19, 2022]. Retrieved from the Internet <URL: <https://timesofindia.indiatimes.com/auto/news/kinetic-green-tonino-lamborghini-spa-unveil-new-electric-golf-cart-range/articleshow/87883025.cms>> (Year: 2021).*

(Continued)

Primary Examiner — Darlington Ly

Assistant Examiner — Nasim Abdulaziz Ali

(74) *Attorney, Agent, or Firm* — Quarles & Brady LLP

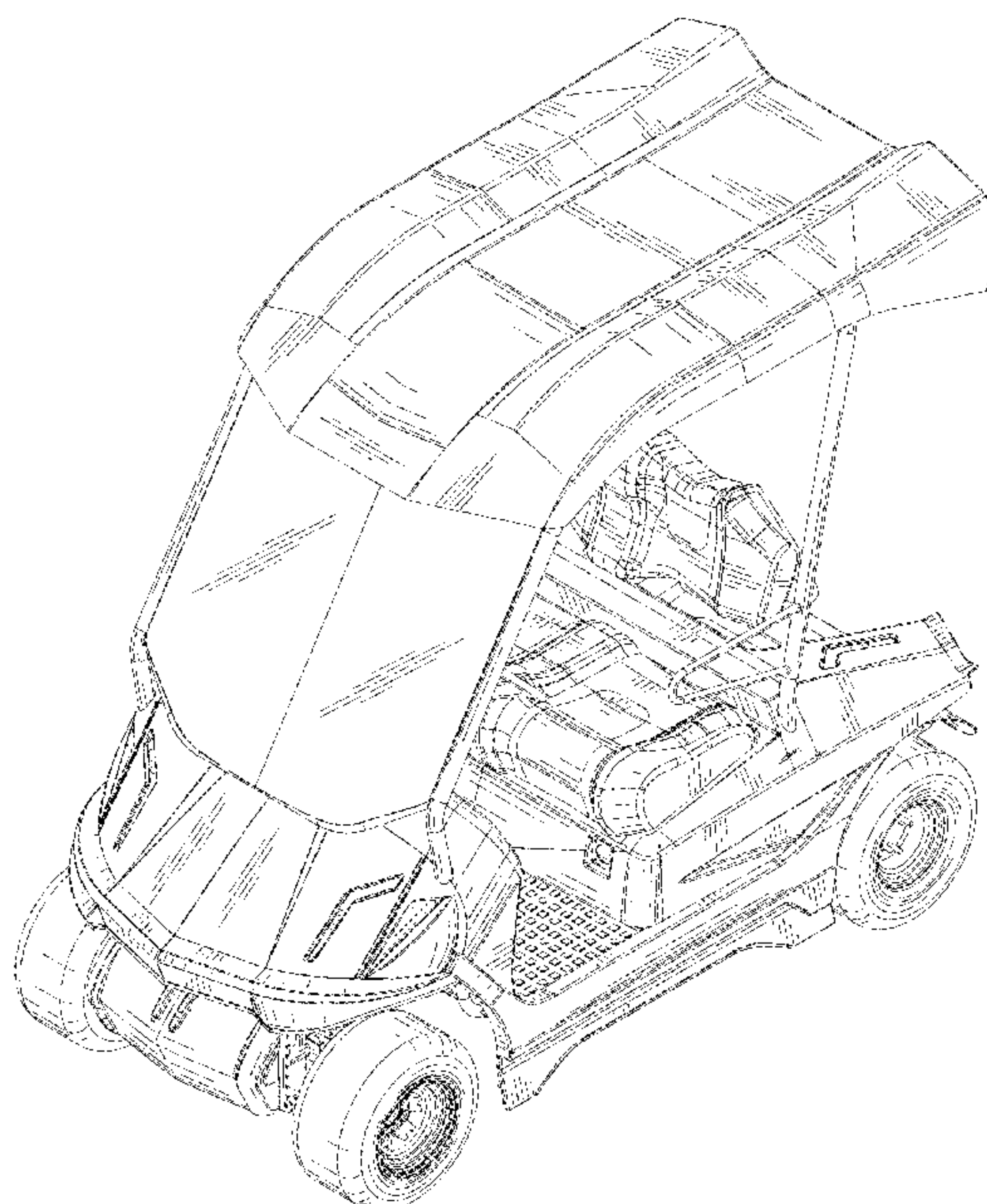
(57) **CLAIM**

The ornamental design for a golf cart, as shown.

DESCRIPTION

FIG. 1 is a perspective view of a top, front, and right side of a golf cart embodying my new design;
FIG. 2 is a front elevational view thereof;
FIG. 3 is a rear elevational view thereof;
FIG. 4 is a right side elevational view thereof;
FIG. 5 is a left side elevational view thereof;
FIG. 6 is a top plan view thereof; and,
FIG. 7 is a top, rear, and right side perspective view thereof.

1 Claim, 7 Drawing Sheets



(56)

References Cited

OTHER PUBLICATIONS

“Drive2®—Fleet” Yamaha., posted date Jul. 1, 2015 [online], [retrieved on Oct. 19, 2022], Retrieved from the Internet <URL: yamahagolfcar.com/golf-car/golf/the-drive-2/> (Year: 2015).*

“Express S2” Ezgo., posted date Mar. 3, 2018 [online], [retrieved on Oct. 19, 2022], Retrieved from the Internet <URL: <https://ezgo.txtsv.com/personal/golfcarts/express-s2>> (Year: 2018).*

* cited by examiner

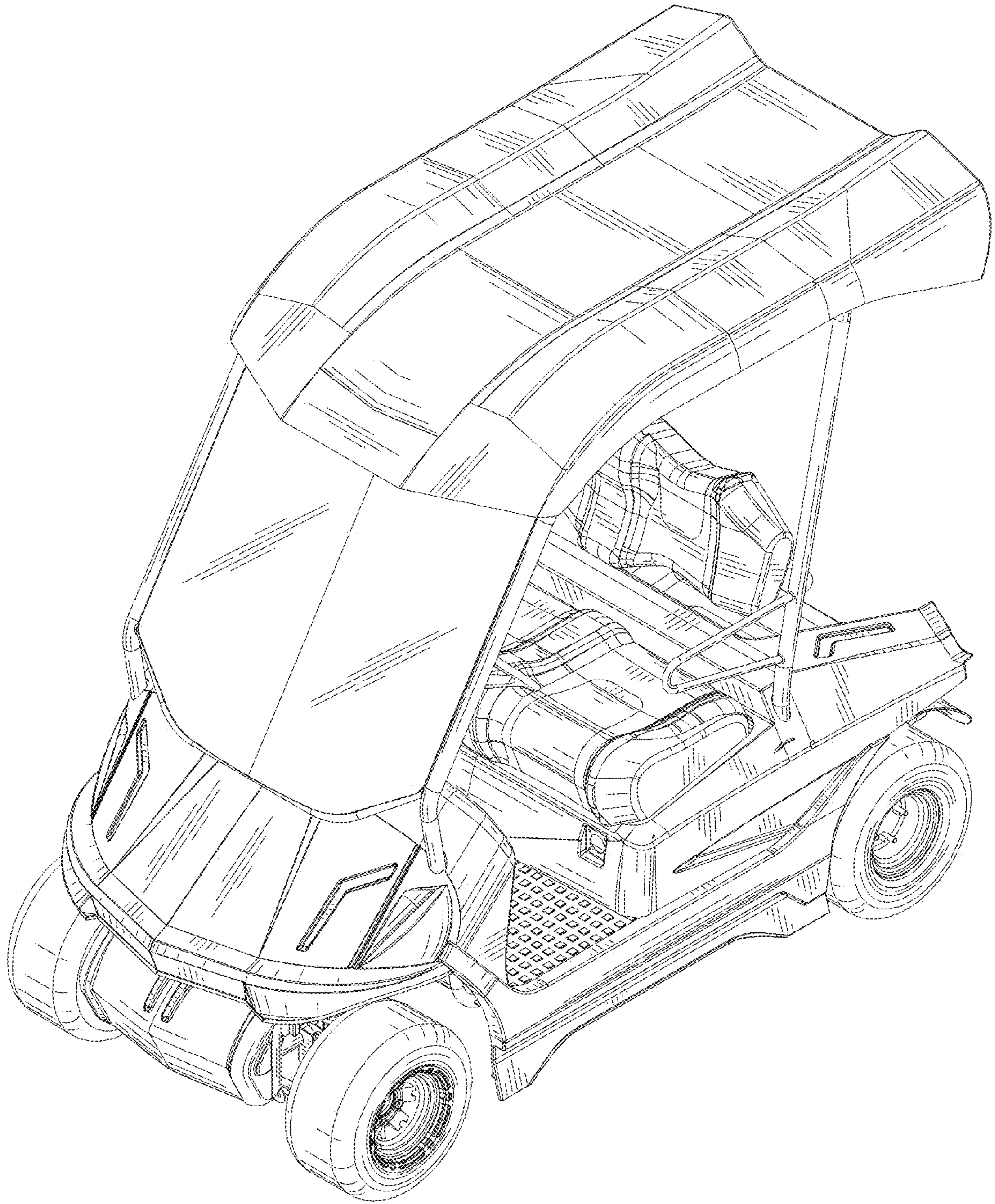


FIG. 1

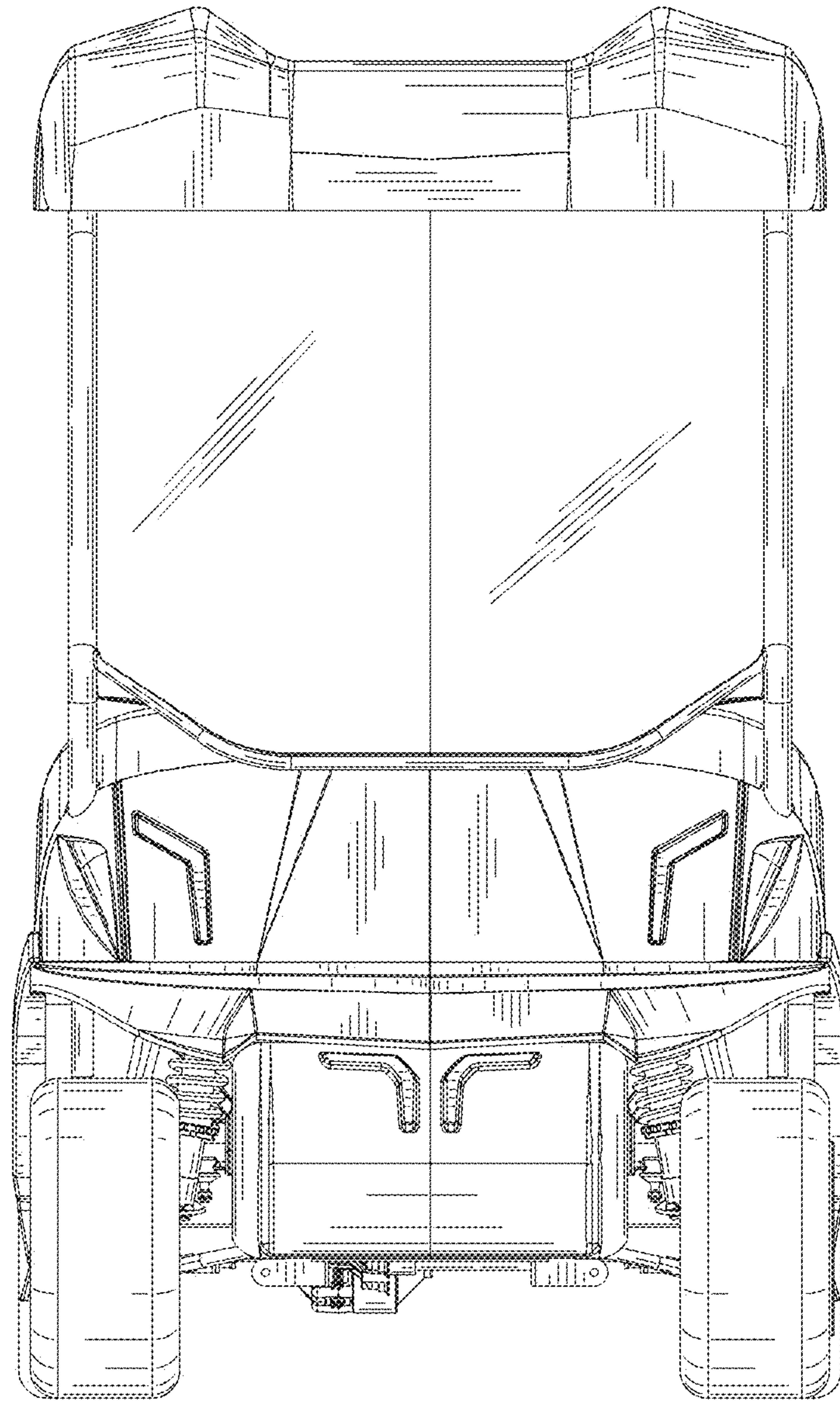


FIG. 2

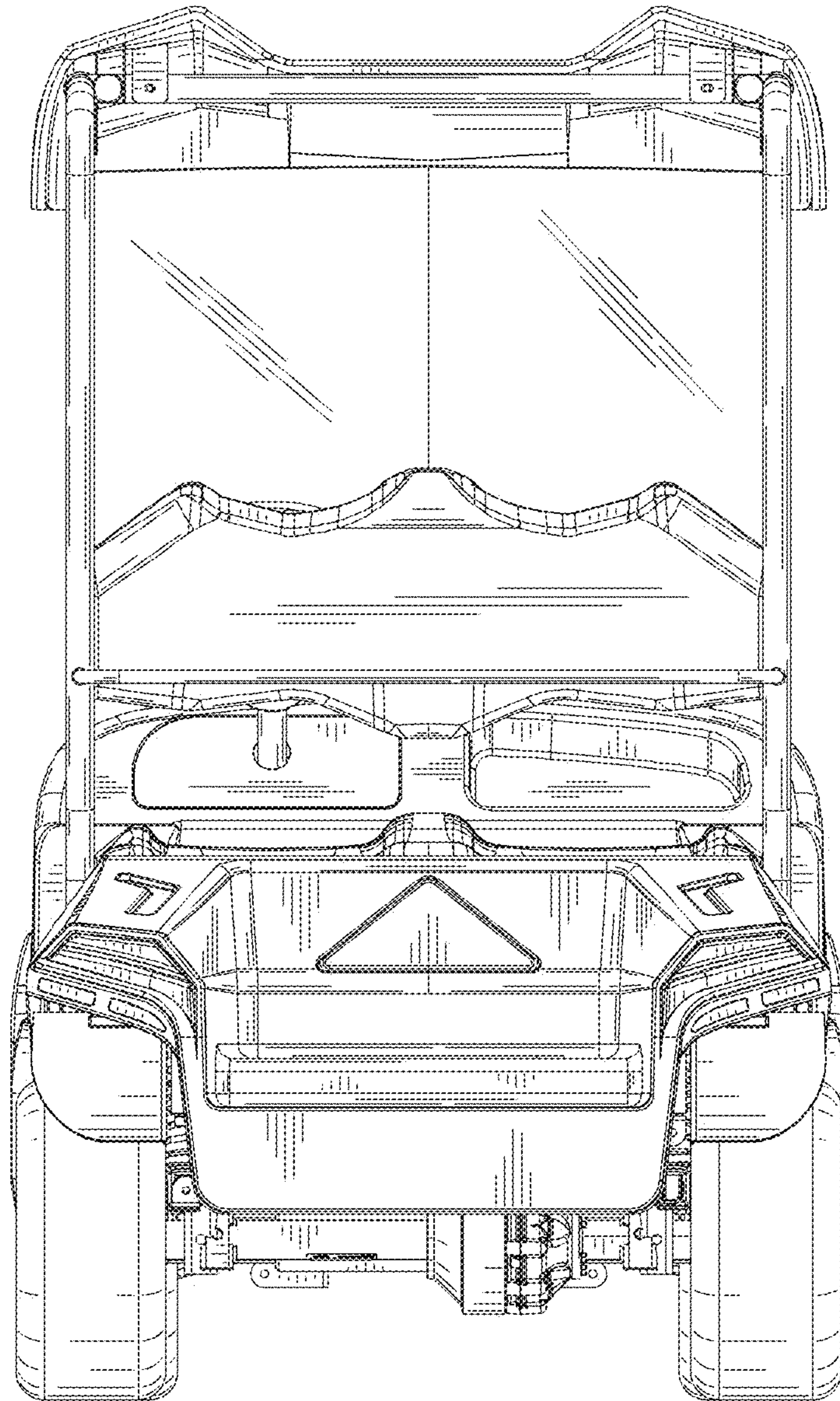


FIG. 3

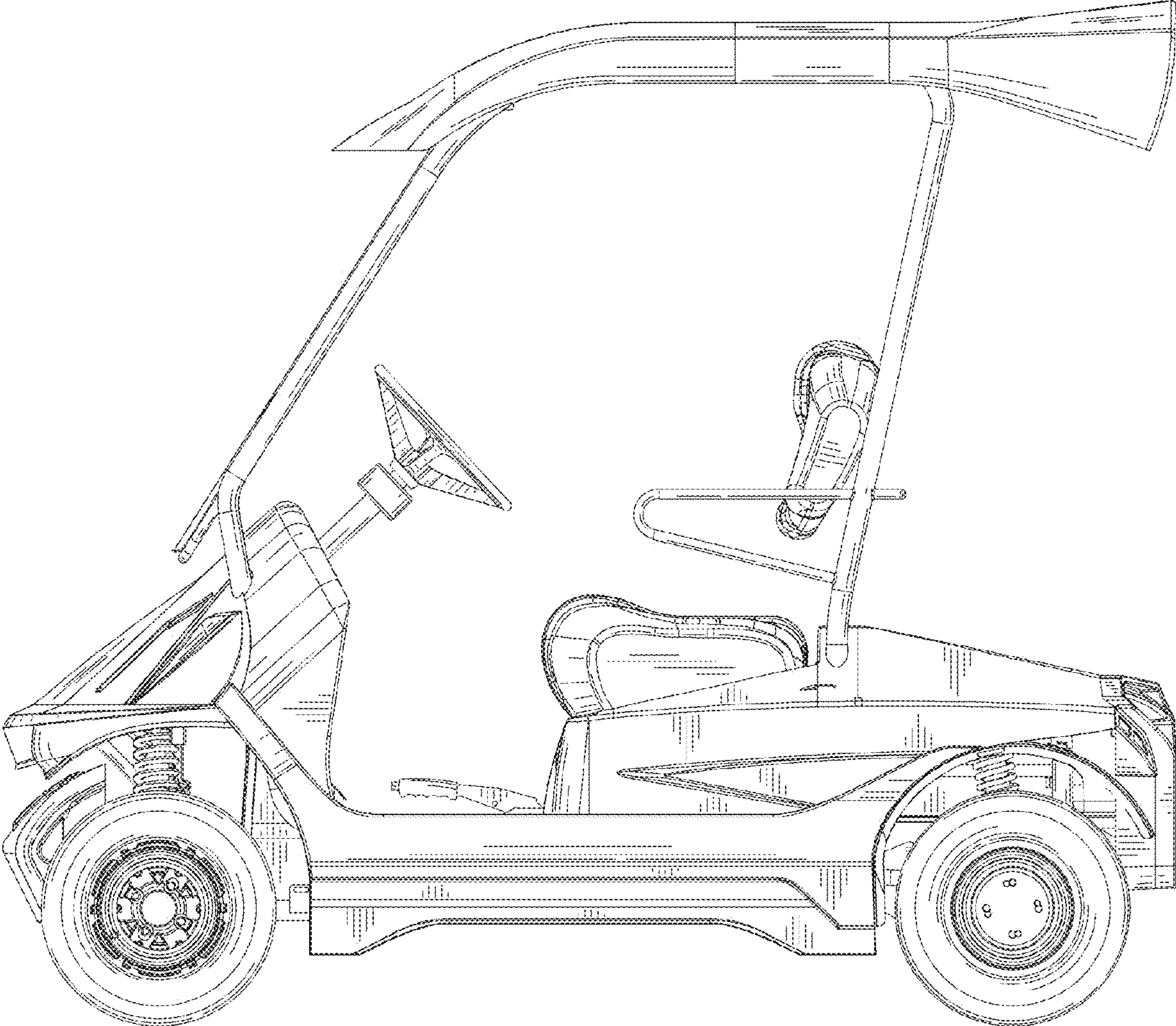


FIG. 4

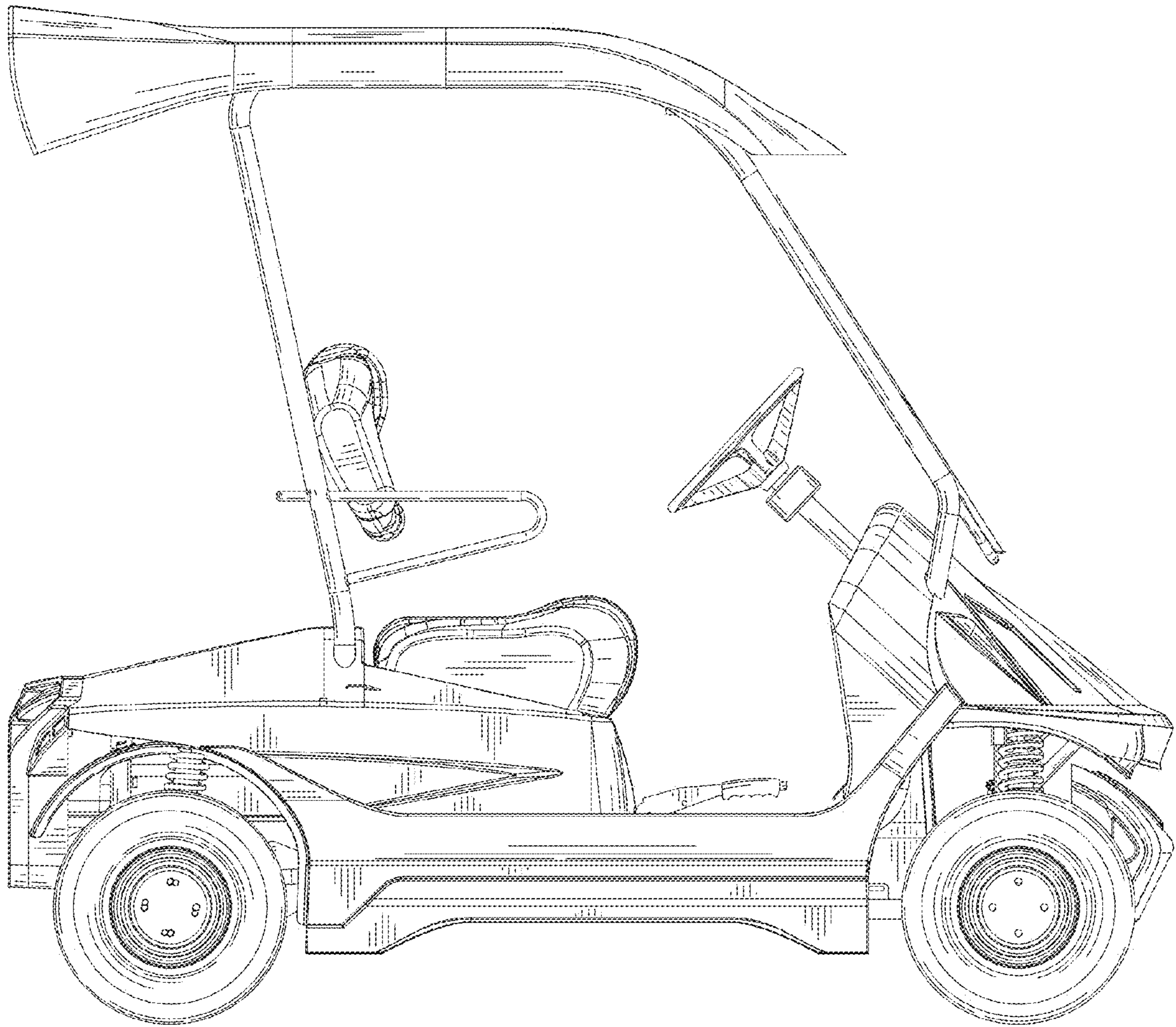


FIG. 5

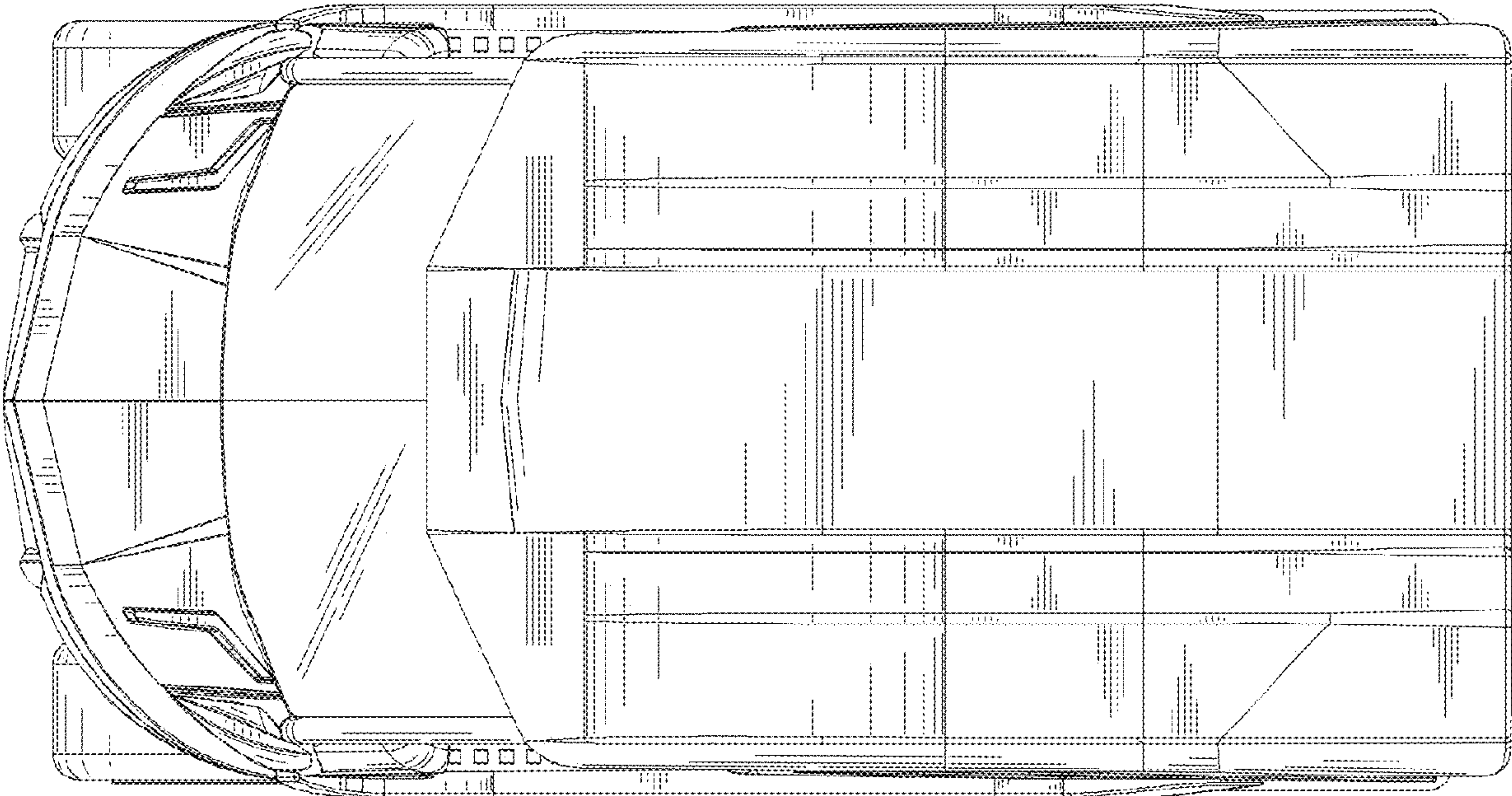


FIG. 6

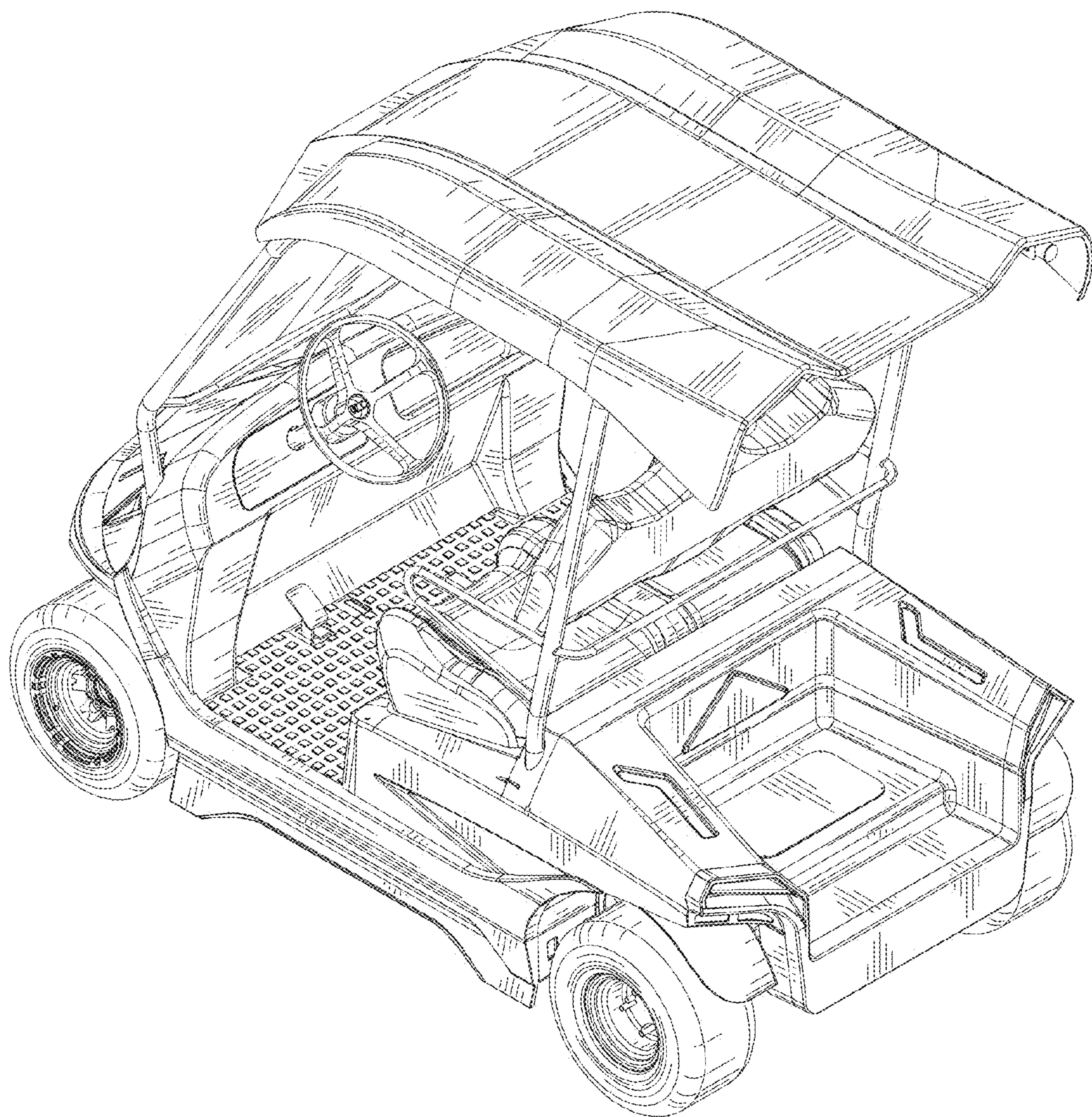


FIG. 7