



US00D986769S

(12) **United States Design Patent**  
**Xu**

(10) **Patent No.:** **US D986,769 S**

(45) **Date of Patent:** **\*\* May 23, 2023**

(54) **FLAG POLE HOLDER**

(71) Applicant: **Henan Ouyidi Technology Co., Ltd.**,  
Henan (CN)

(72) Inventor: **QiuFen Xu**, Henan (CN)

(73) Assignee: **Henan Ouyidi Technology Co., Ltd.**,  
Zhengzhou (CN)

(\*\*) Term: **15 Years**

(21) Appl. No.: **29/852,900**

(22) Filed: **Sep. 9, 2022**

(51) **LOC (14) Cl.** ..... **11-05**

(52) **U.S. Cl.**  
USPC ..... **D11/182**

(58) **Field of Classification Search**  
USPC .... D11/166, 181, 182, 183, 184; D8/37, 38,  
D8/72, 330, 339, 349, 351, 354, 363, 373,  
D8/376, 378, 380, 382, 383, 394, 396;  
D20/16, 17, 33, 41, 42, 43  
CPC ..... A47G 7/045; A45F 3/44; G09F 17/00;  
H01Q 1/1228

See application file for complete search history.

(56) **References Cited**

**U.S. PATENT DOCUMENTS**

- D32,333 S \* 3/1900 Hart ..... G09F 17/00  
D11/182
- 3,920,207 A \* 11/1975 Adamaitis ..... A01K 97/10  
224/907
- D292,782 S \* 11/1987 Restrepo ..... D11/182
- D340,676 S \* 10/1993 Gallagher ..... D11/182
- D350,500 S \* 9/1994 Willis ..... D11/182
- D400,426 S \* 11/1998 Gillin ..... D8/354
- D448,717 S \* 10/2001 Hanson ..... D12/162
- D472,131 S \* 3/2003 Hubmann ..... A01K 97/10  
D8/354
- D476,919 S \* 7/2003 Vidmar ..... D11/182
- 6,742,757 B2 \* 6/2004 Fox ..... F16M 13/022  
248/538

- 6,857,614 B2 \* 2/2005 Fox ..... F16M 11/041  
248/538
  - 6,964,403 B2 \* 11/2005 Fox ..... G09F 17/00  
D11/182
  - D514,177 S \* 1/2006 Connerley ..... D21/705
  - D522,915 S 6/2006 Bruckler
- (Continued)

**FOREIGN PATENT DOCUMENTS**

GB 9003490697-0001 \* 11/2016

**OTHER PUBLICATIONS**

Ecorise Flag Pole Holder, Jun. 1, 2020 found on Dec. 16, 2022 at  
<https://www.amazon.com/EcoRise-Flag-Pole-Holder-Diameter/dp/B08513VD7X?th=1> (Year: 2016).\*

(Continued)

*Primary Examiner* — Karen S Acker

(57) **CLAIM**

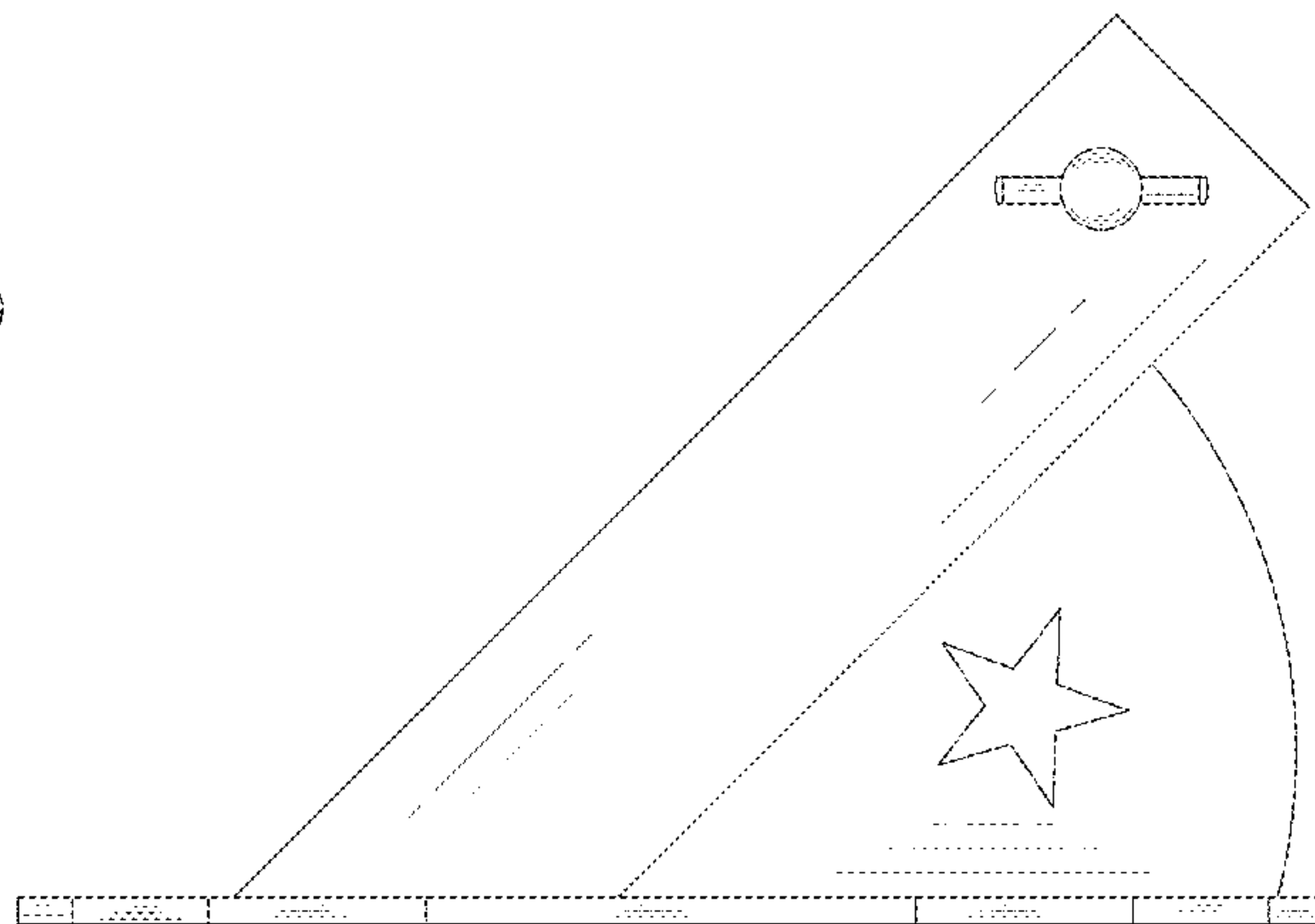
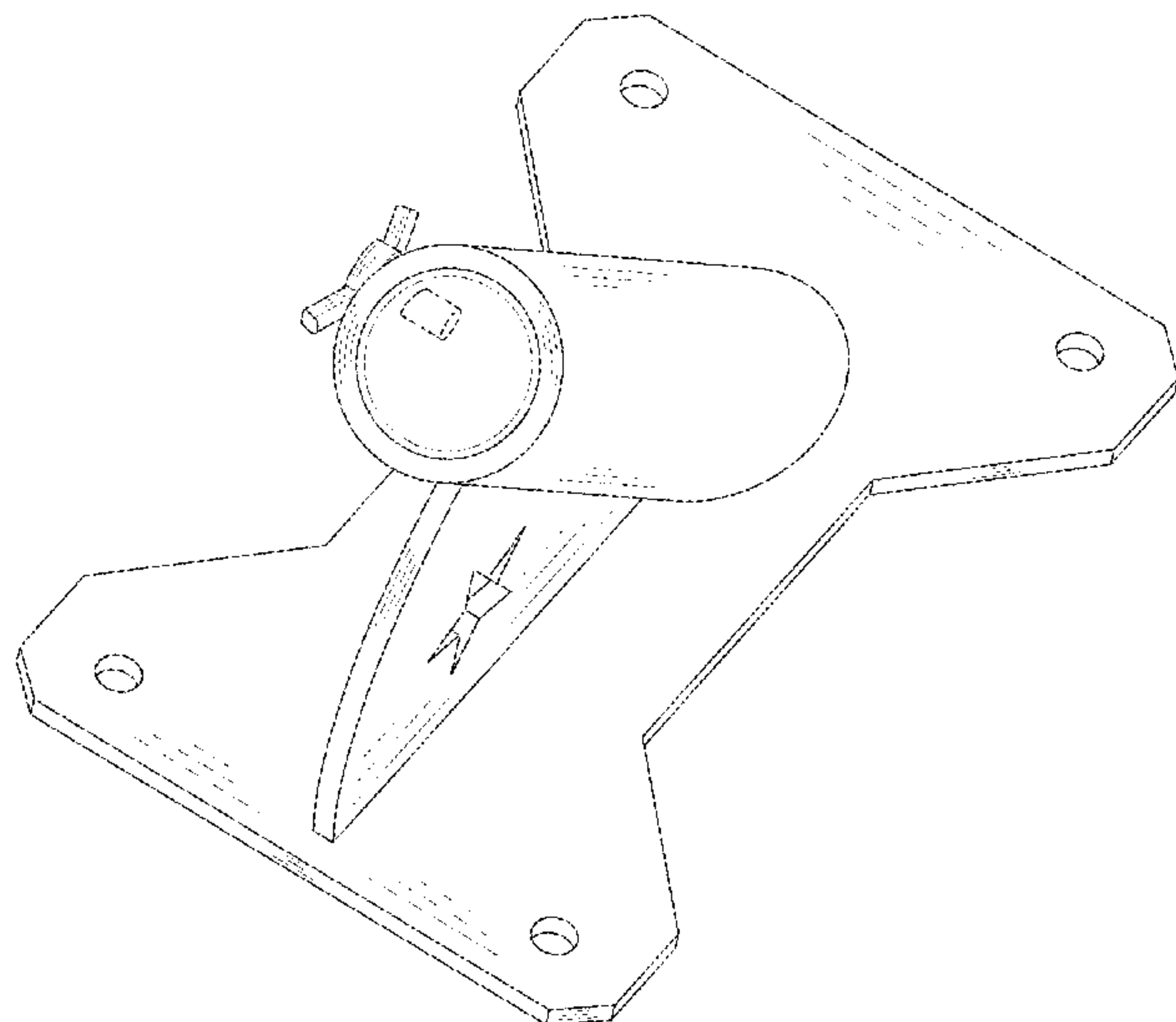
The ornamental design for a flag pole holder, as shown and described.

**DESCRIPTION**

FIG. 1 is a front, right and top side perspective view of a flag pole holder showing my new design;  
FIG. 2 is a back, right and bottom side perspective view thereof;  
FIG. 3 is a left side elevational view thereof;  
FIG. 4 is a right side elevational view thereof;  
FIG. 5 is a back elevational view thereof;  
FIG. 6 is a front elevational view thereof;  
FIG. 7 is a top plan view thereof; and,  
FIG. 8 is a bottom plan view thereof.

The evenly spaced broken lines depict portions of the flag pole holder that form no part of the claimed design. The dot dash dot broken lines depict the boundaries of the claim and form no part thereof.

**1 Claim, 8 Drawing Sheets**



(56)

**References Cited**

U.S. PATENT DOCUMENTS

D529,839 S 10/2006 Howald  
D582,257 S \* 12/2008 Cohen ..... F16M 11/041  
D8/354  
D639,206 S \* 6/2011 Lach ..... G09F 17/00  
D11/182  
RE44,740 E \* 2/2014 Ciungan ..... F16M 13/022  
D14/452  
D829,598 S \* 10/2018 Sanderson, Jr. .... F16M 11/041  
D11/182  
D829,599 S \* 10/2018 Sanderson, Jr. .... D11/182  
2003/0098404 A1 \* 5/2003 Fox ..... F16M 11/041  
248/538

OTHER PUBLICATIONS

Flagpole Holder, Nov. 2022, found on Mar. 24, 2023 at [https://www.amazon.com/dp/B0BFXQ69ZM/ref=sspa\\_dk\\_detail\\_7?pd\\_rd\\_i=B0BFXQ69ZM&pd\\_rd\\_w=BOov4&content-id=amzn1.sym.bff6e147-54ad%E2%80%A6&th=1](https://www.amazon.com/dp/B0BFXQ69ZM/ref=sspa_dk_detail_7?pd_rd_i=B0BFXQ69ZM&pd_rd_w=BOov4&content-id=amzn1.sym.bff6e147-54ad%E2%80%A6&th=1) (Year: 2022).\*

J Jackcube Design, May 2021, found on Mar. 24, 2023 at [https://www.amazon.com/JACKCUBE-DESIGN-Stainless-Resistant-Decorative/dp/B08QCG8MSL/ref=sr\\_1\\_29?crd=EOLDCTRYDIIG&keywords=flagpole+holder+mounting+bracket+with+star&qid=1679692879&s=lawn-](https://www.amazon.com/JACKCUBE-DESIGN-Stainless-Resistant-Decorative/dp/B08QCG8MSL/ref=sr_1_29?crd=EOLDCTRYDIIG&keywords=flagpole+holder+mounting+bracket+with+star&qid=1679692879&s=lawn-) (Year: 2021).\*

\* cited by examiner

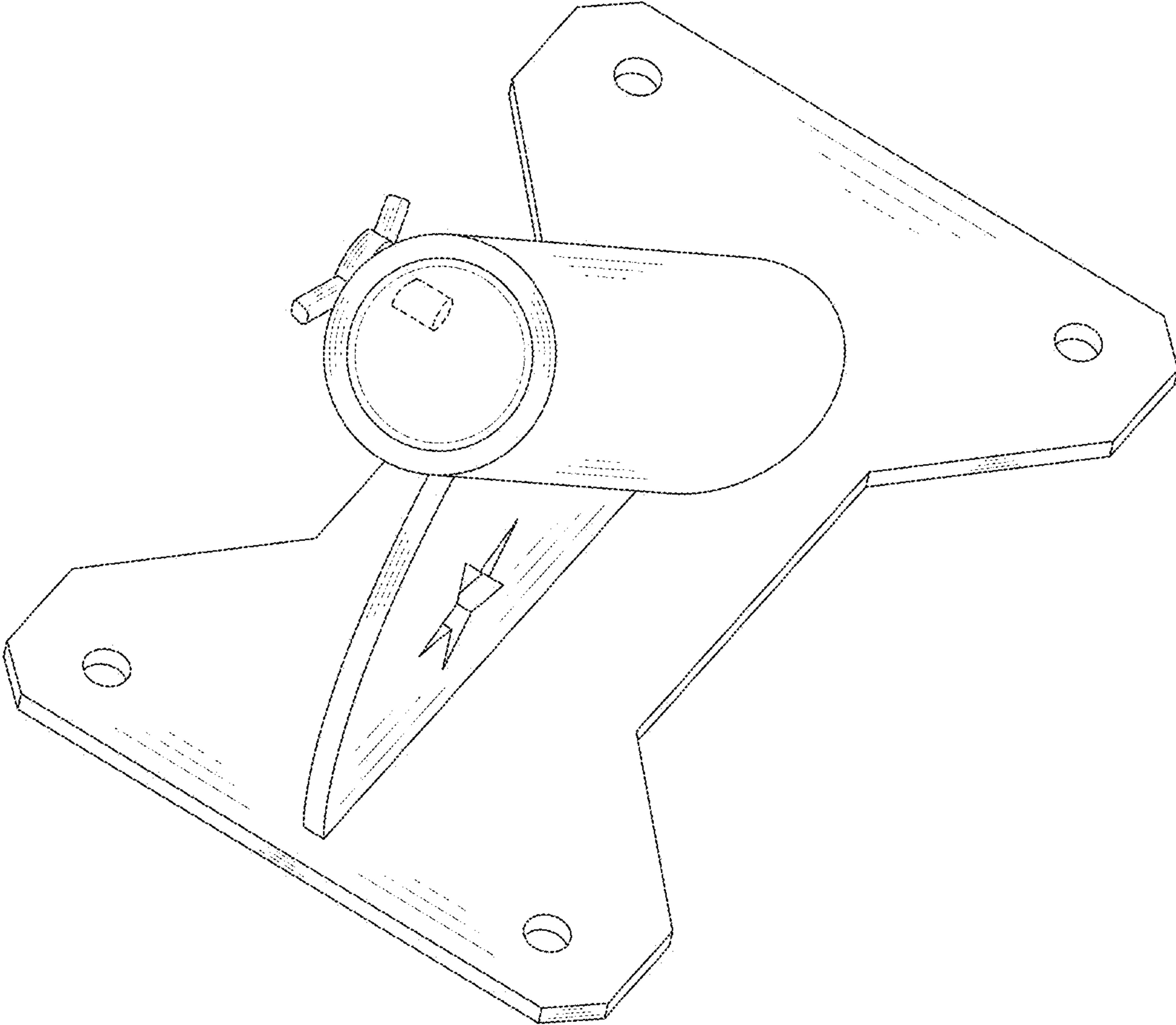


FIG. 1

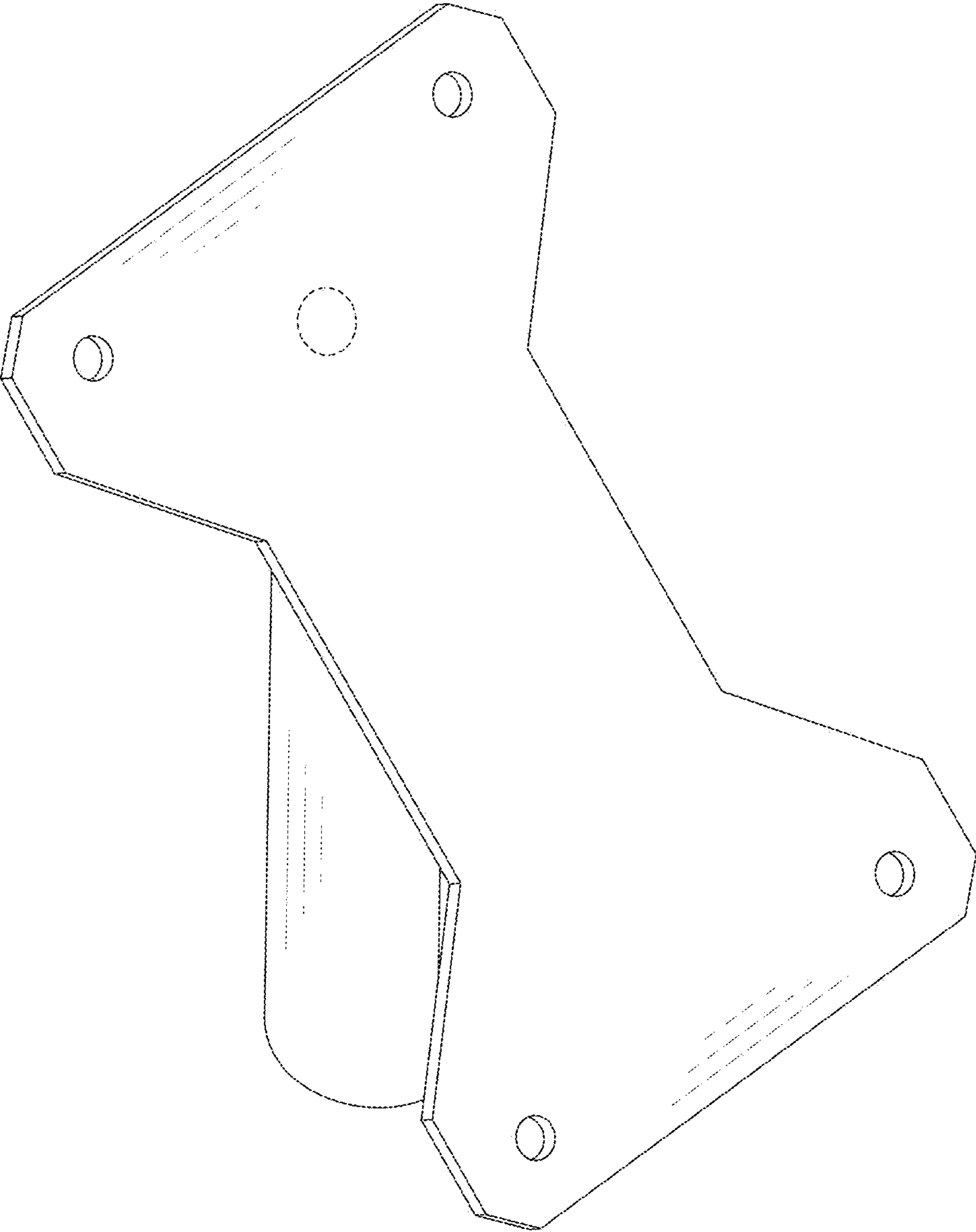


FIG. 2

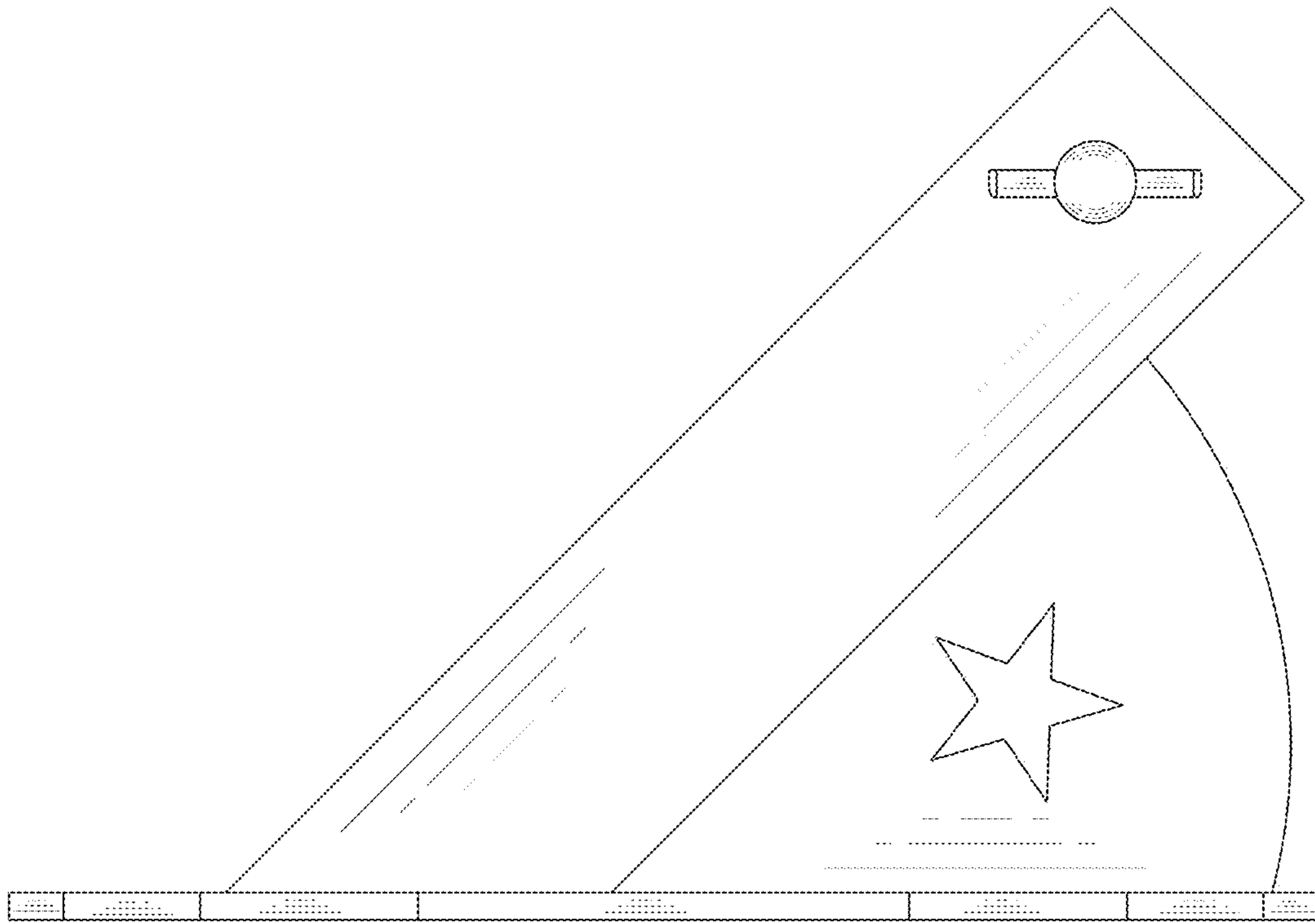


FIG. 3

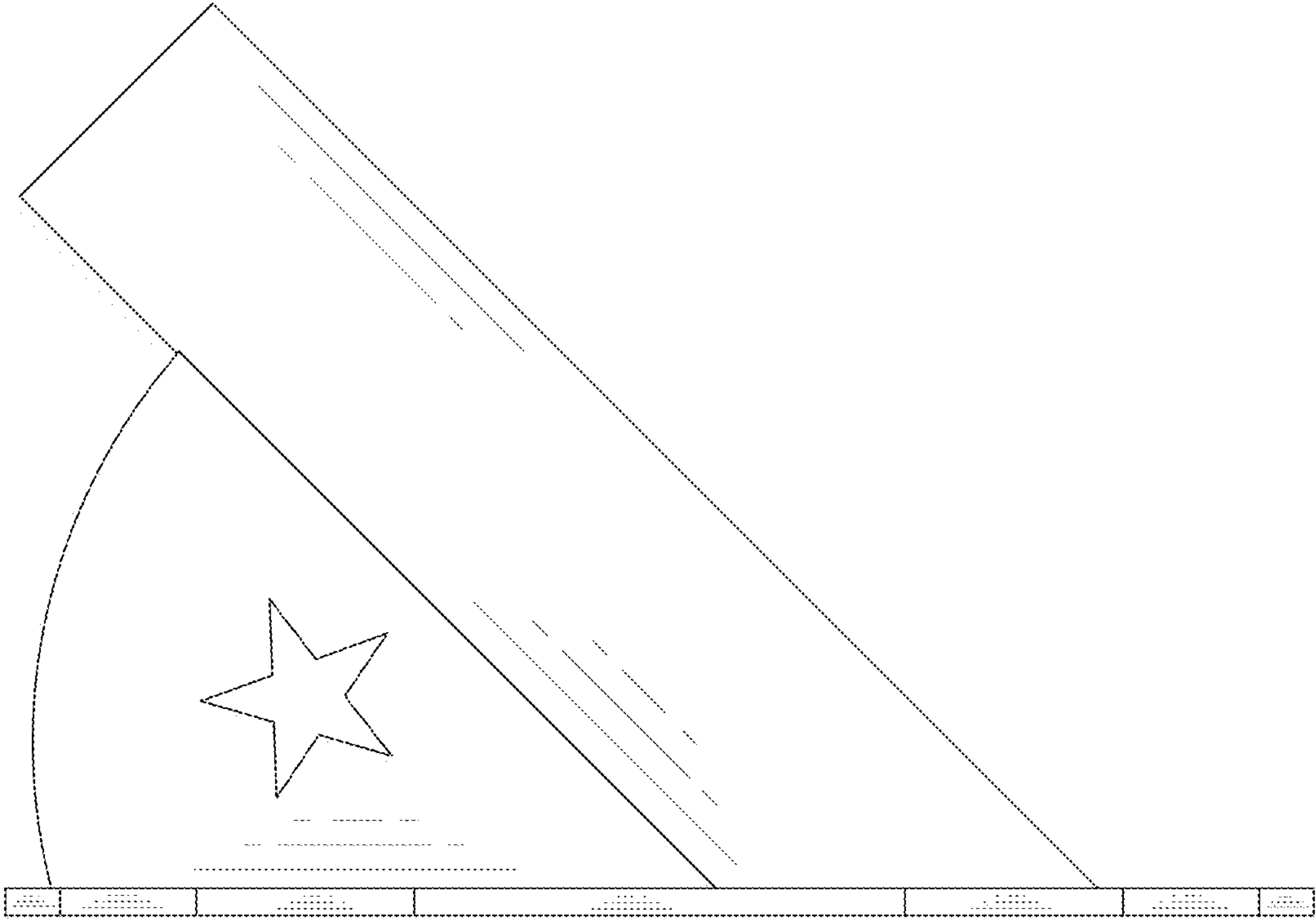


FIG. 4

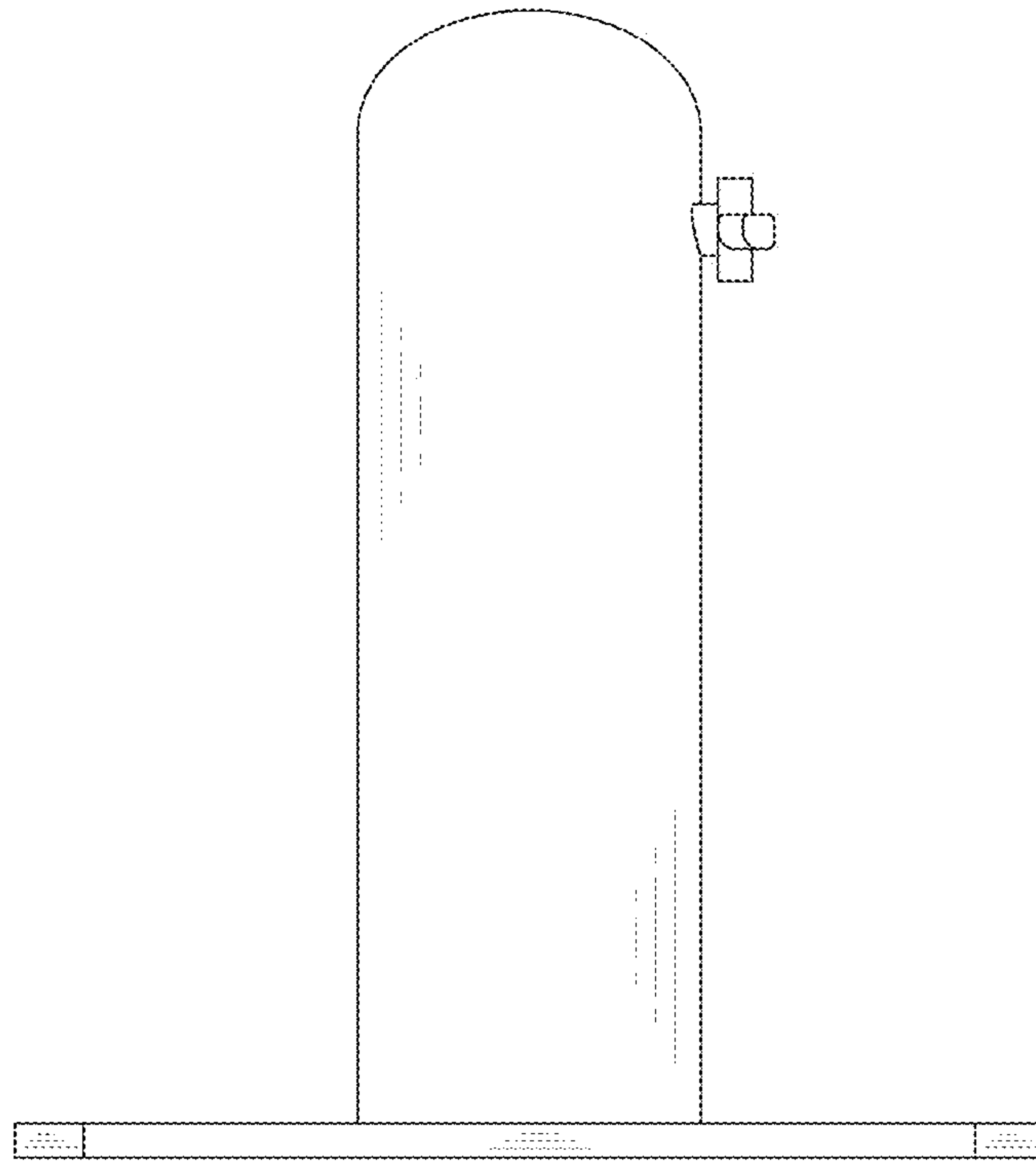


FIG. 5



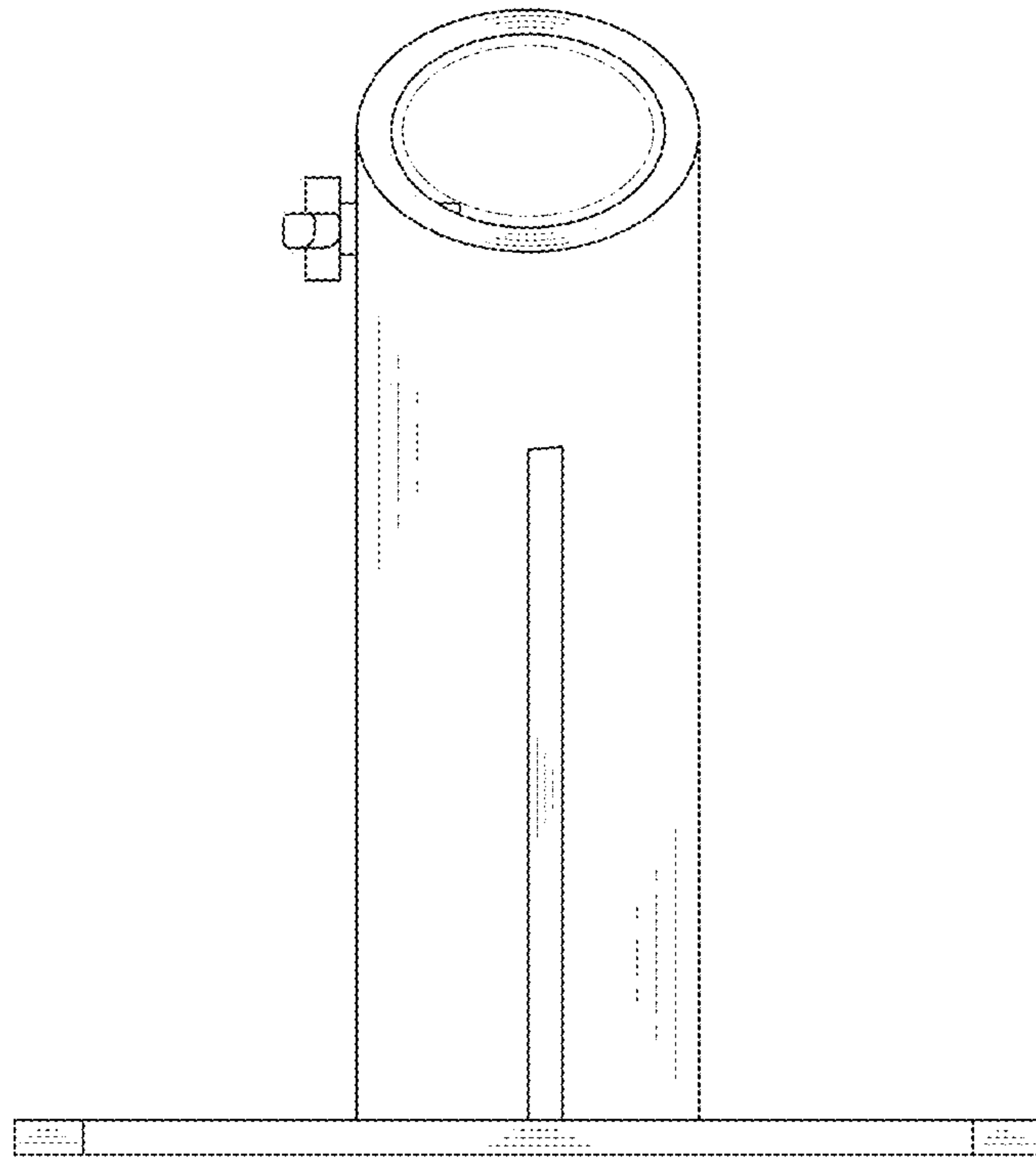


FIG. 6



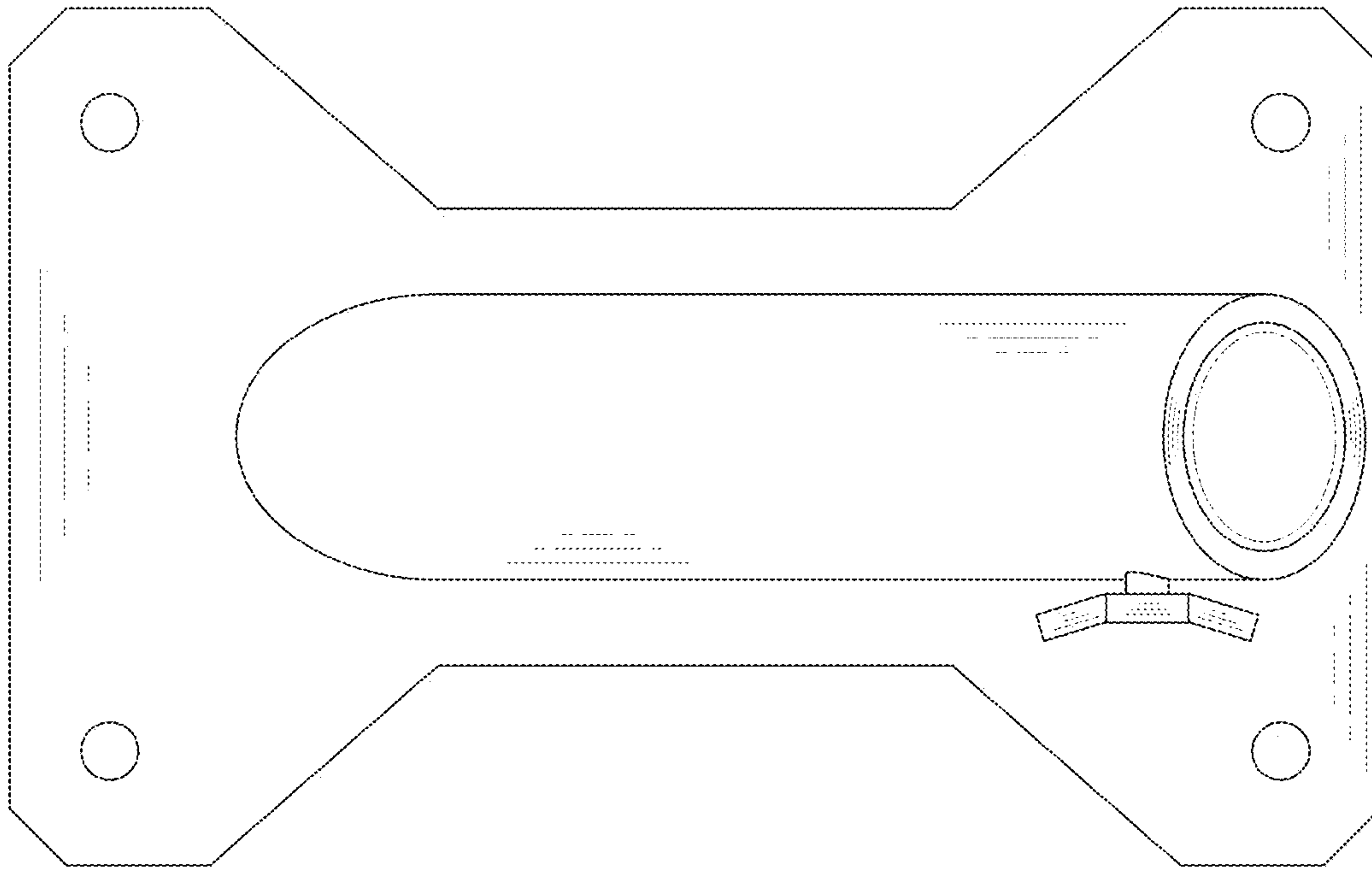


FIG. 7

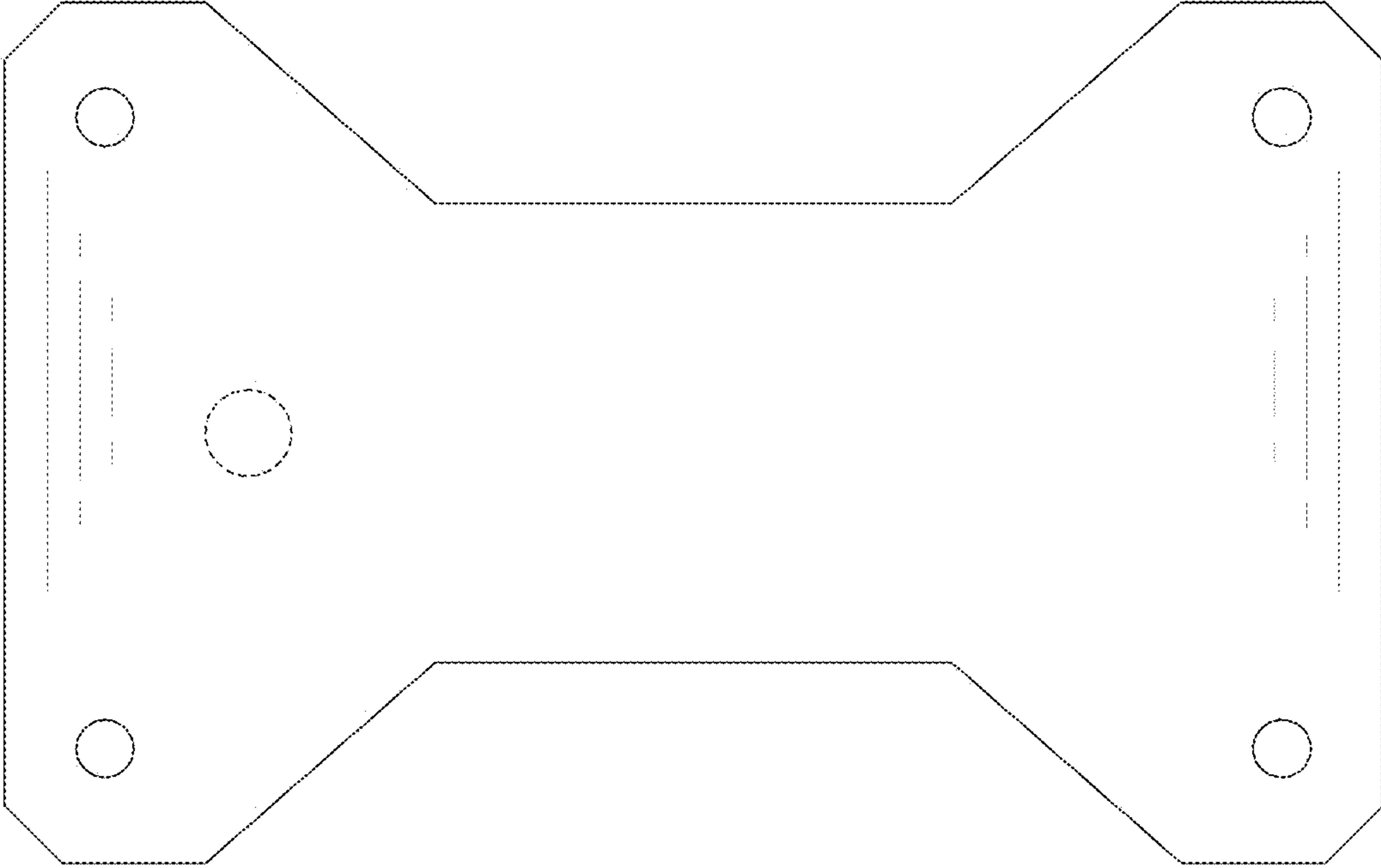


FIG. 8