



US00D986768S

(12) **United States Design Patent**
Besheer

(10) **Patent No.:** **US D986,768 S**

(45) **Date of Patent:** **** May 23, 2023**

(54) **PLANTER INSERT**

(71) Applicant: **Greenery Unlimited LLC**, Brooklyn, NY (US)

(72) Inventor: **Adam Besheer**, Rock Tavern, NY (US)

(73) Assignee: **Greenery Unlimited LLC**, Brooklyn, NY (US)

(**) Term: **15 Years**

(21) Appl. No.: **29/751,955**

(22) Filed: **Sep. 24, 2020**

(51) **LOC (14) Cl.** **11-02**

(52) **U.S. Cl.**
USPC **D11/152**

(58) **Field of Classification Search**
USPC D11/131, 143, 132, 140, 145, 148, 152,
D11/153, 154; D6/403; D8/1; D26/55;
D7/667; D9/456
CPC ... A01G 9/00; A01G 9/02; A01G 9/04; A01G
9/022; A01G 9/024; A01G 9/025; A01G
27/02; A01G 27/04; A01G 27/06; A47G
7/02; A47G 7/03; A47G 7/04; F21V
33/0028

See application file for complete search history.

(56) **References Cited**

U.S. PATENT DOCUMENTS

- 4,037,363 A * 7/1977 Baumann A01G 31/00
47/18
- D255,409 S * 6/1980 Volkmann D11/152
- 5,921,025 A * 7/1999 Smith A01G 27/06
47/79
- D450,106 S * 11/2001 Herr D23/261
- 6,843,021 B1 * 1/2005 Huang A01G 9/12
47/60
- D661,223 S * 6/2012 Jaworski A01G 9/12
D11/152

- D675,492 S * 2/2013 Art A01G 31/00
D8/1
- D745,432 S * 12/2015 Jawarski A01G 27/04
D11/164
- D764,205 S * 8/2016 Macari D6/403
- D801,212 S * 10/2017 Livingston D11/152
- D855,160 S * 7/2019 Najimi D23/261
- D967,350 S * 10/2022 Erley D23/261
- 2011/0131879 A1* 6/2011 Altendorfer A01G 27/04
47/81

OTHER PUBLICATIONS

This little piece of technology. Online [website]. Instagram, posted online by user @greeneryunlimited on Jul. 31, 2021 [retrieved on Oct. 29, 2022]. Retrieved from the internet: <https://www.instagram.com/p/CR_oLS1gh0W/?hl=en>. (Year: 2021).*

* cited by examiner

Primary Examiner — Barbara Fox
Assistant Examiner — Grace Doyle
(74) *Attorney, Agent, or Firm* — Bochner IP, PLLC;
Andrew D. Bochner

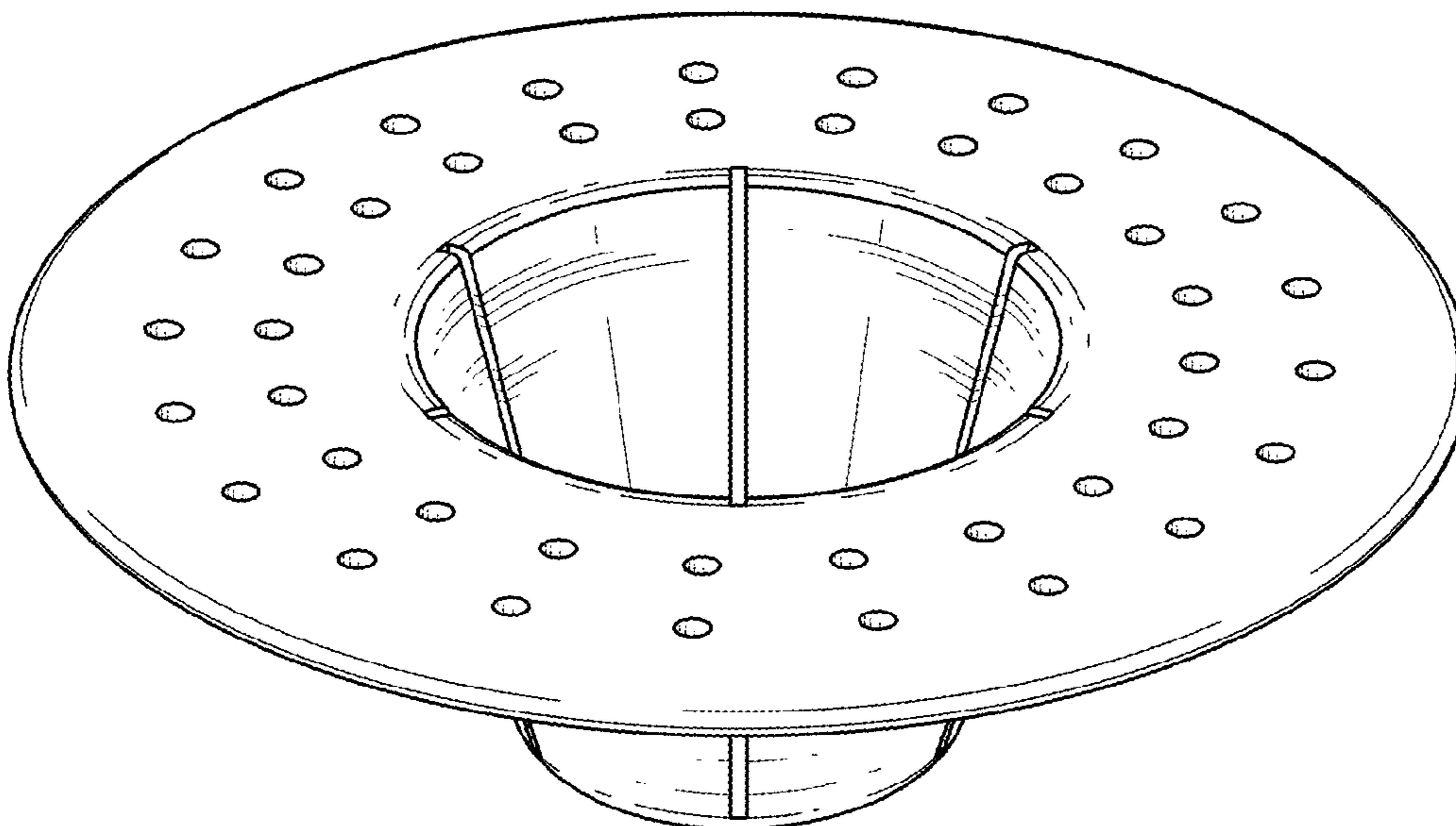
(57) **CLAIM**

The ornamental design for a planter insert, as shown and described.

DESCRIPTION

FIG. 1 is a top perspective view of a planter insert, embodying my new design;
FIG. 2 is a top plan view thereof;
FIG. 3 is bottom plan view thereof;
FIG. 4 is a front elevation view thereof;
FIG. 5 is a rear elevation view thereof;
FIG. 6 is a first side elevation view thereof; and,
FIG. 7 is a second side elevation view thereof.

1 Claim, 5 Drawing Sheets



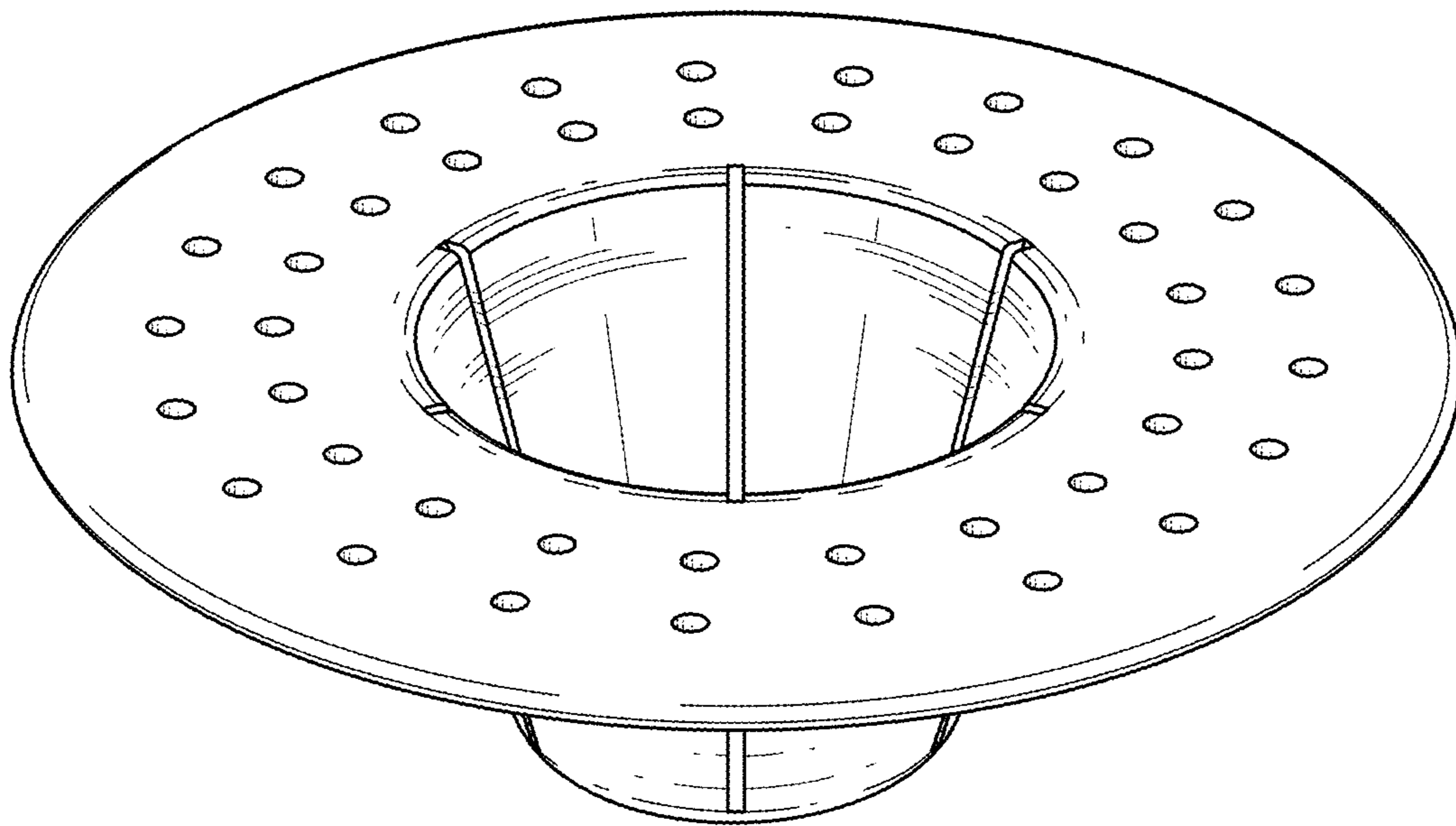


FIG. 1

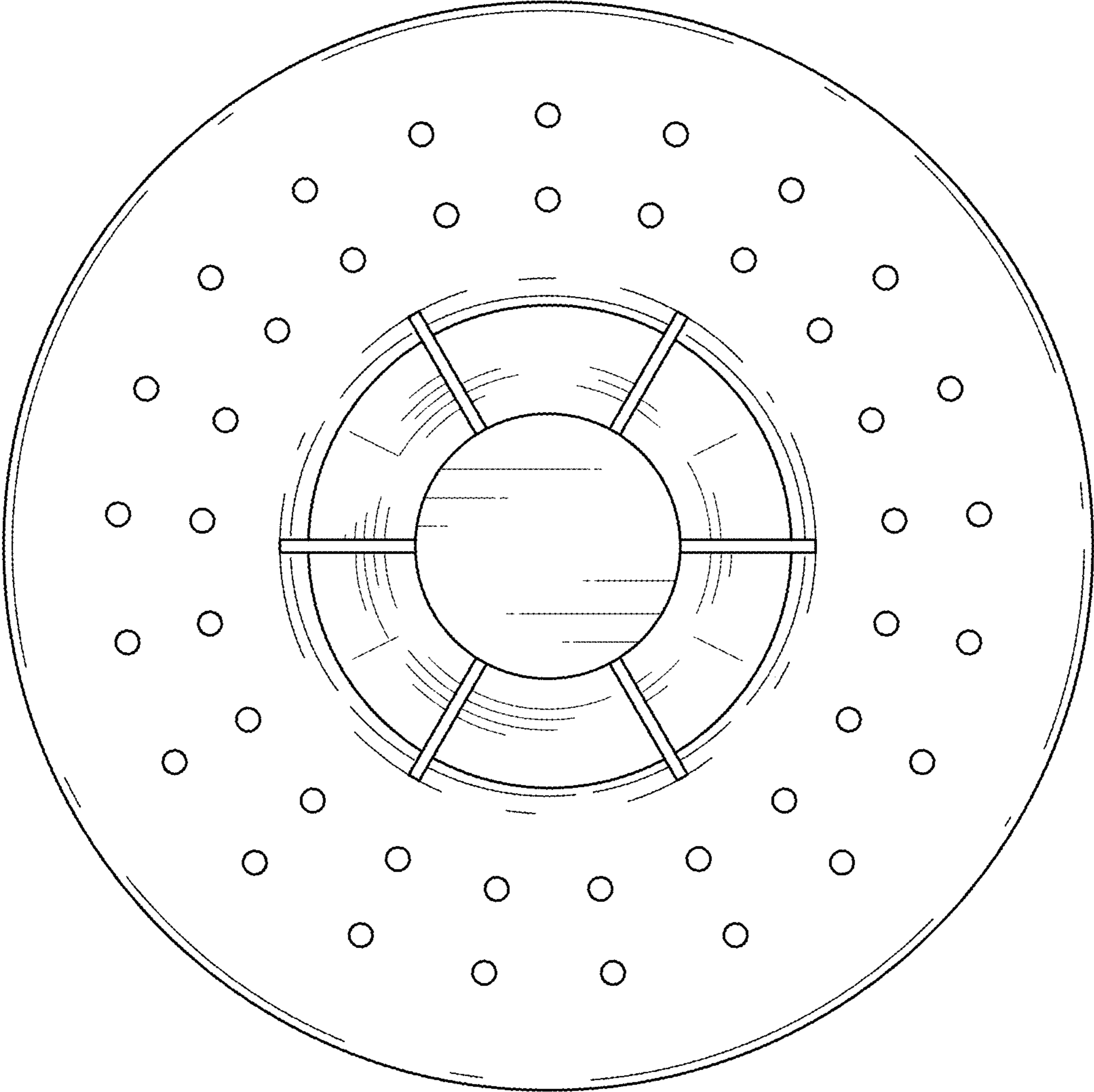


FIG. 2

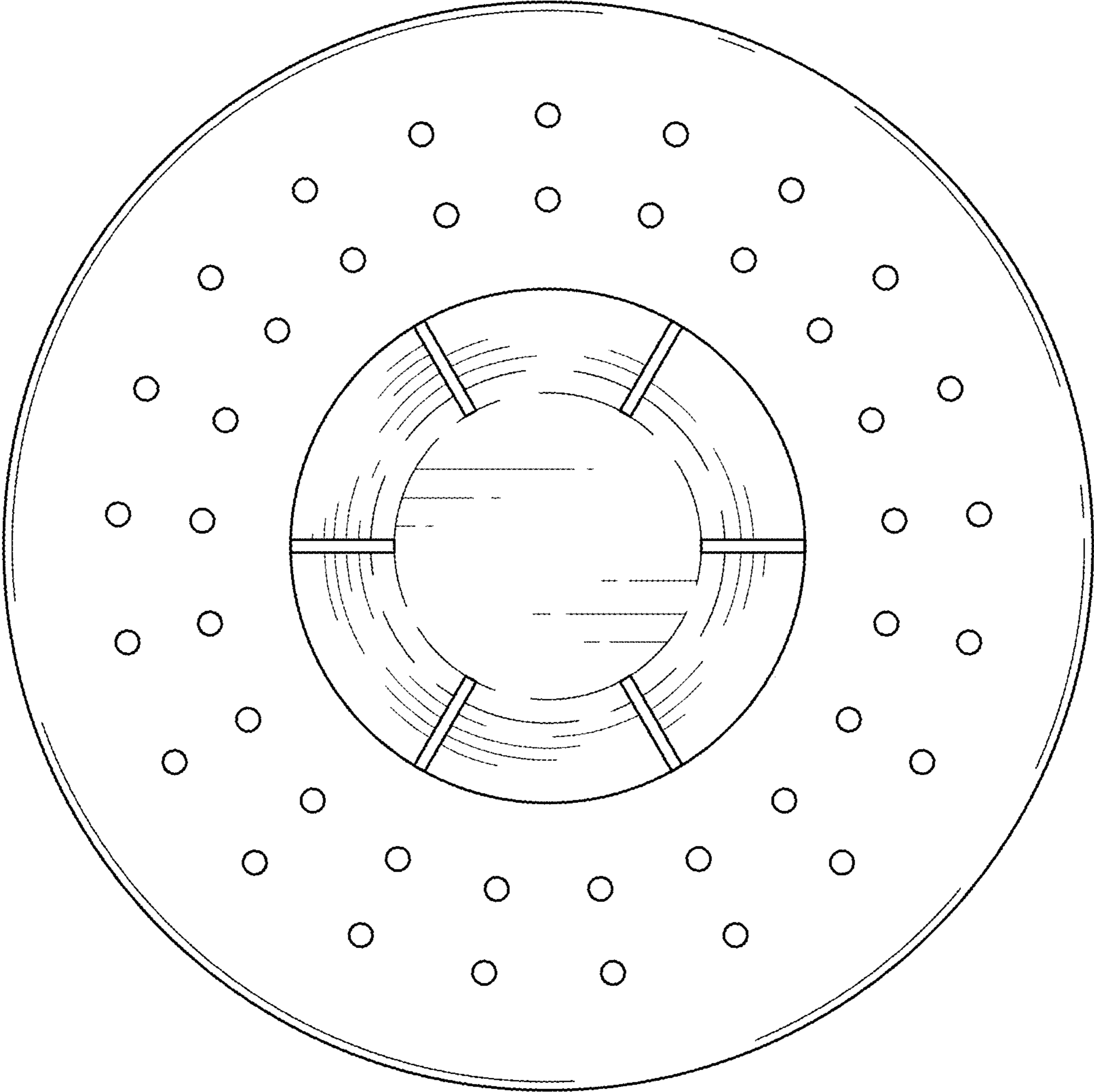


FIG. 3

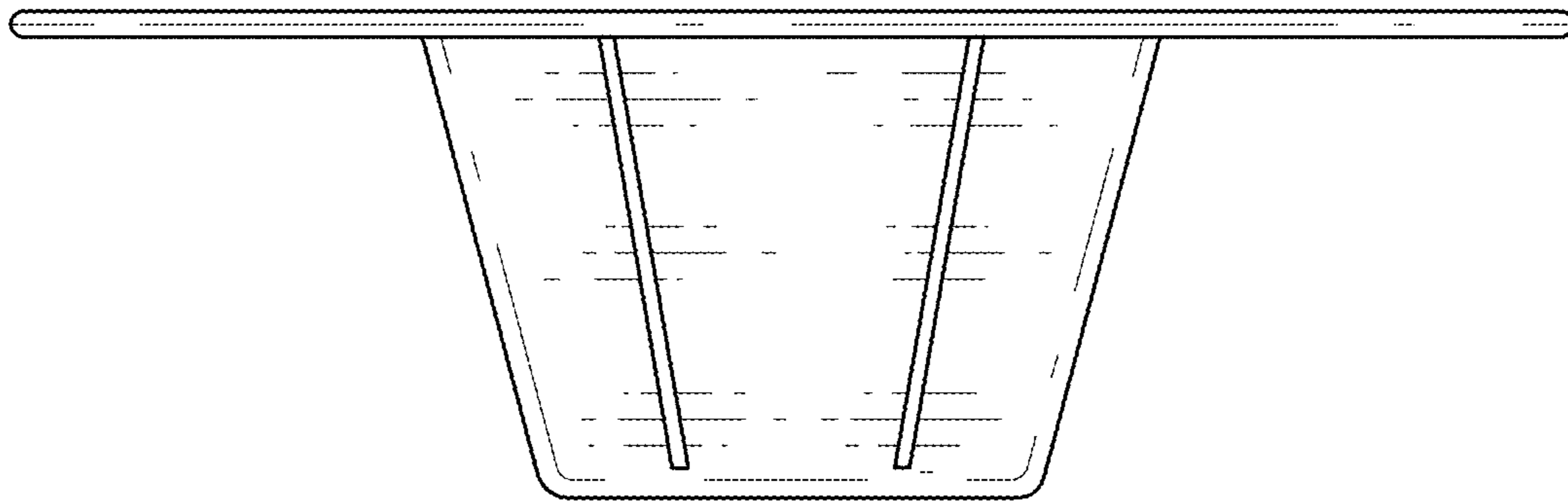


FIG. 4

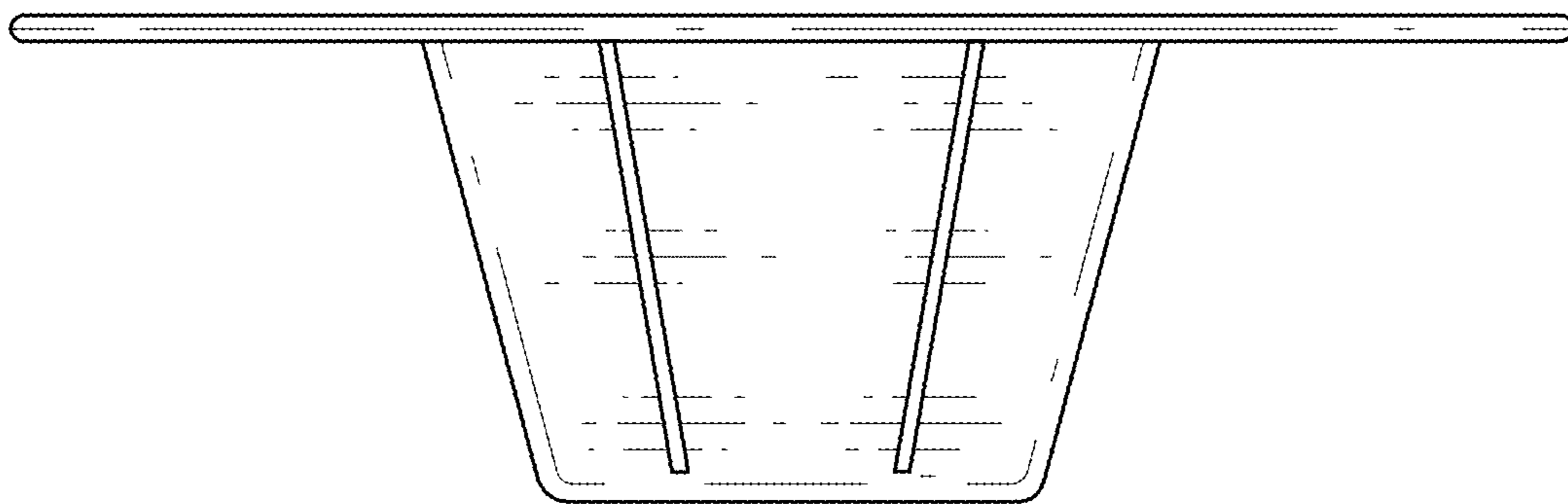


FIG. 5

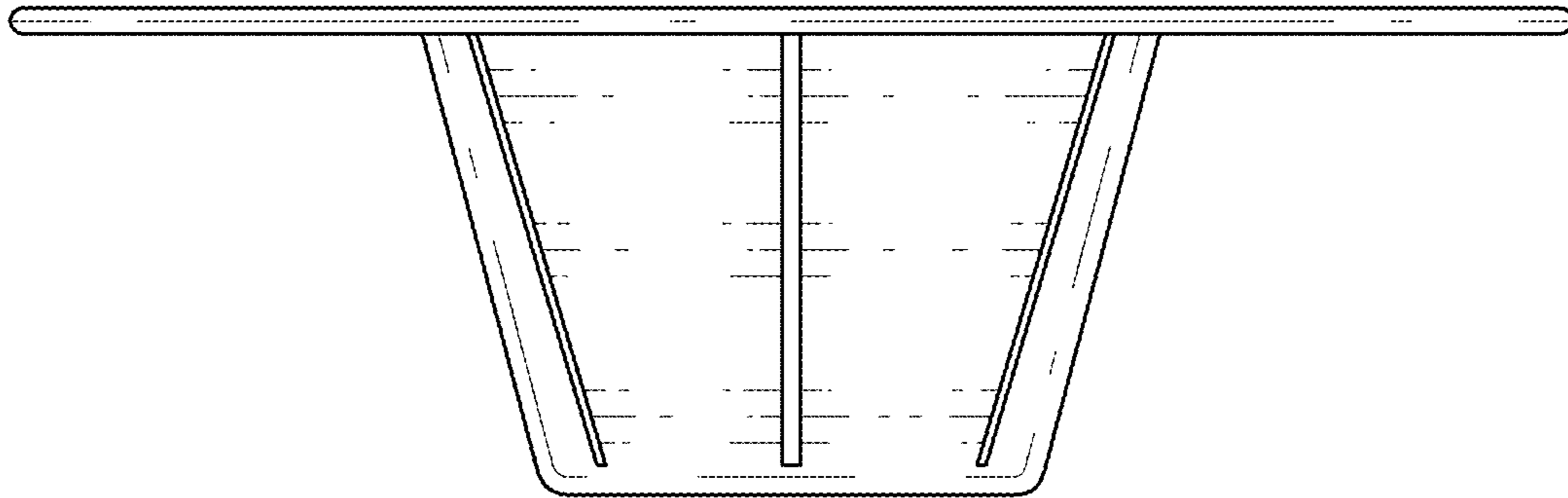


FIG. 6

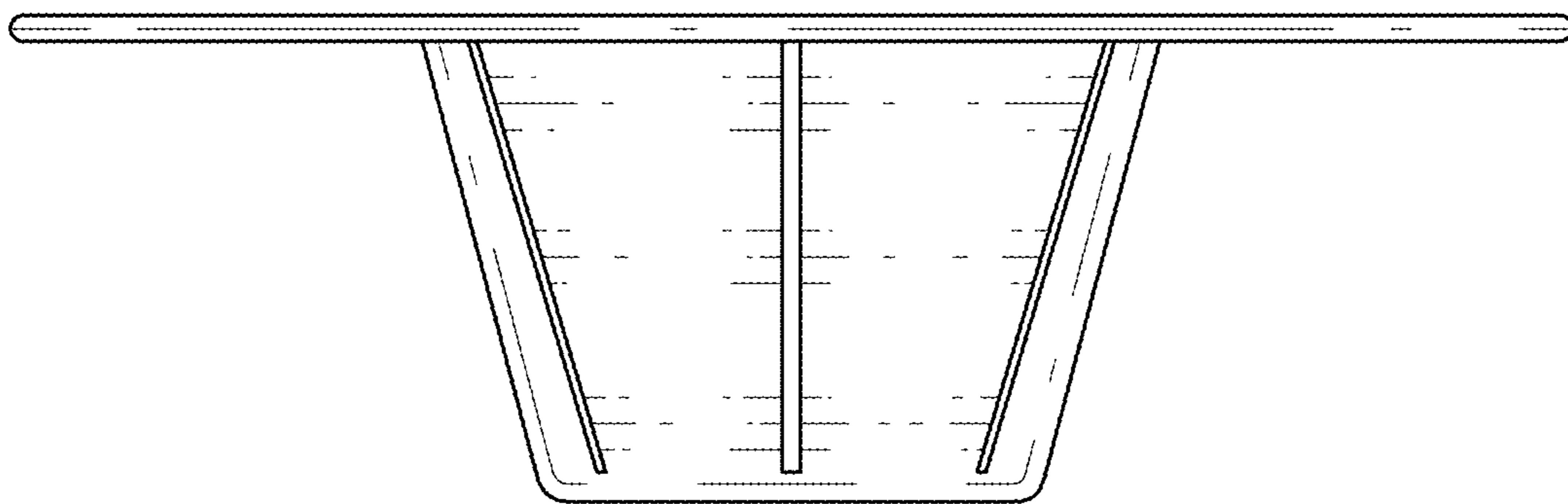


FIG. 7