



US00D986767S

(12) **United States Design Patent**
Zeng

(10) **Patent No.:** **US D986,767 S**

(45) **Date of Patent:** **** May 23, 2023**

(54) **PLANTING BOARD**

(71) Applicant: **Shenzhen Zengshi Video Technology Co., Ltd.**, Shenzhen Guangdong (CN)

(72) Inventor: **Hongmin Zeng**, Shenzhen (CN)

(**) Term: **15 Years**

(21) Appl. No.: **29/885,443**

(22) Filed: **Feb. 24, 2023**

(51) **LOC (14) Cl.** **11-02**

(52) **U.S. Cl.**
USPC **D11/143**

(58) **Field of Classification Search**
USPC D6/403–405, 556–558; D11/143–156, D11/164
CPC A01G 9/02; A01G 9/024; A01G 9/021; A01G 31/06; A01G 9/042; B65D 85/52; A47G 7/06

See application file for complete search history.

(56) **References Cited**

U.S. PATENT DOCUMENTS

- 1,183,653 A * 5/1916 Kring A01C 5/02
111/99
- D202,209 S * 9/1965 Myers et al. D11/147
- D250,625 S * 12/1978 Leventhal D6/682.2
- D284,953 S * 8/1986 Kaneko D11/155
- D286,830 S * 11/1986 Stern D6/403
- D289,863 S * 5/1987 Pecoff D11/155
- 6,024,034 A * 2/2000 Howell A01C 7/02
111/99
- 6,182,394 B1 * 2/2001 Bassler A01G 27/06
47/75
- D574,677 S 8/2008 Broadstone
- D592,996 S * 5/2009 Howard D11/155
- D642,492 S * 8/2011 Wardenburg D11/155
- D668,920 S * 10/2012 Sandoval D8/1
- D789,110 S * 6/2017 Macari D6/403
- D799,265 S * 10/2017 Paille D7/409

- 9,795,075 B2 * 10/2017 Pratt A01C 7/02
- D812,441 S * 3/2018 Pratt D8/1
- 10,064,519 B2 * 9/2018 Paille A47J 37/0864
- 2007/0107304 A1 * 5/2007 Fan A01G 9/00
47/65.5
- 2007/0271840 A1 * 11/2007 Amberson A01G 9/0295
47/18

(Continued)

OTHER PUBLICATIONS

Seeding Square, Amazon Online Product Page. Earliest Review Date: Mar. 15, 2019. Date Accessed: Apr. 5, 2023. Retrieved from Internet URL: <https://www.amazon.com/Seeding-Square-Perfectly-Vegetables-Conserves/dp/B00US8ESWK/ref=> (Year: 2019).*

(Continued)

Primary Examiner — S. Bryan Reinholdt, Jr.
Assistant Examiner — Kaitlan Walker
(74) *Attorney, Agent, or Firm* — Daniel M. Cohn;
Howard M. Cohn

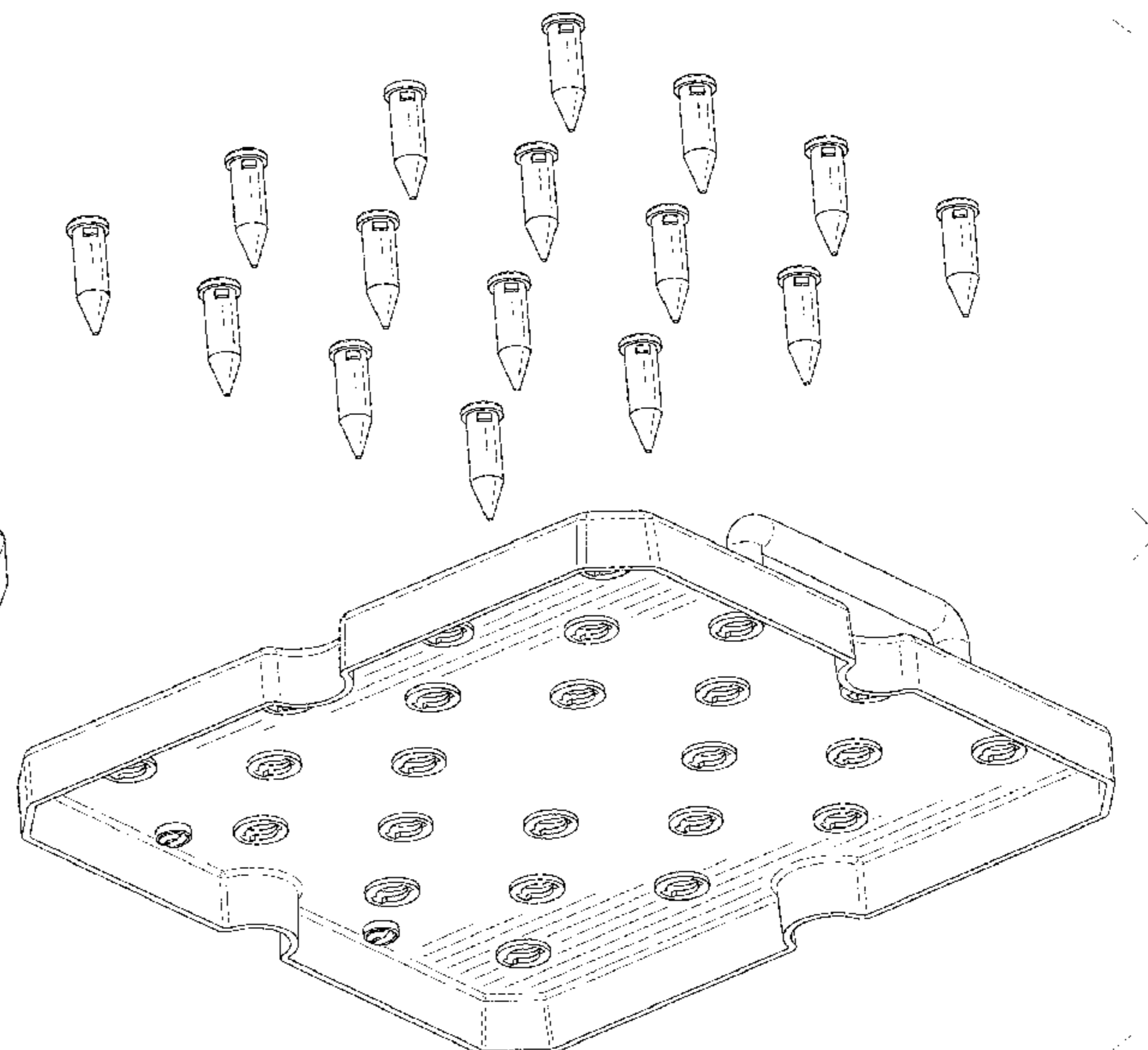
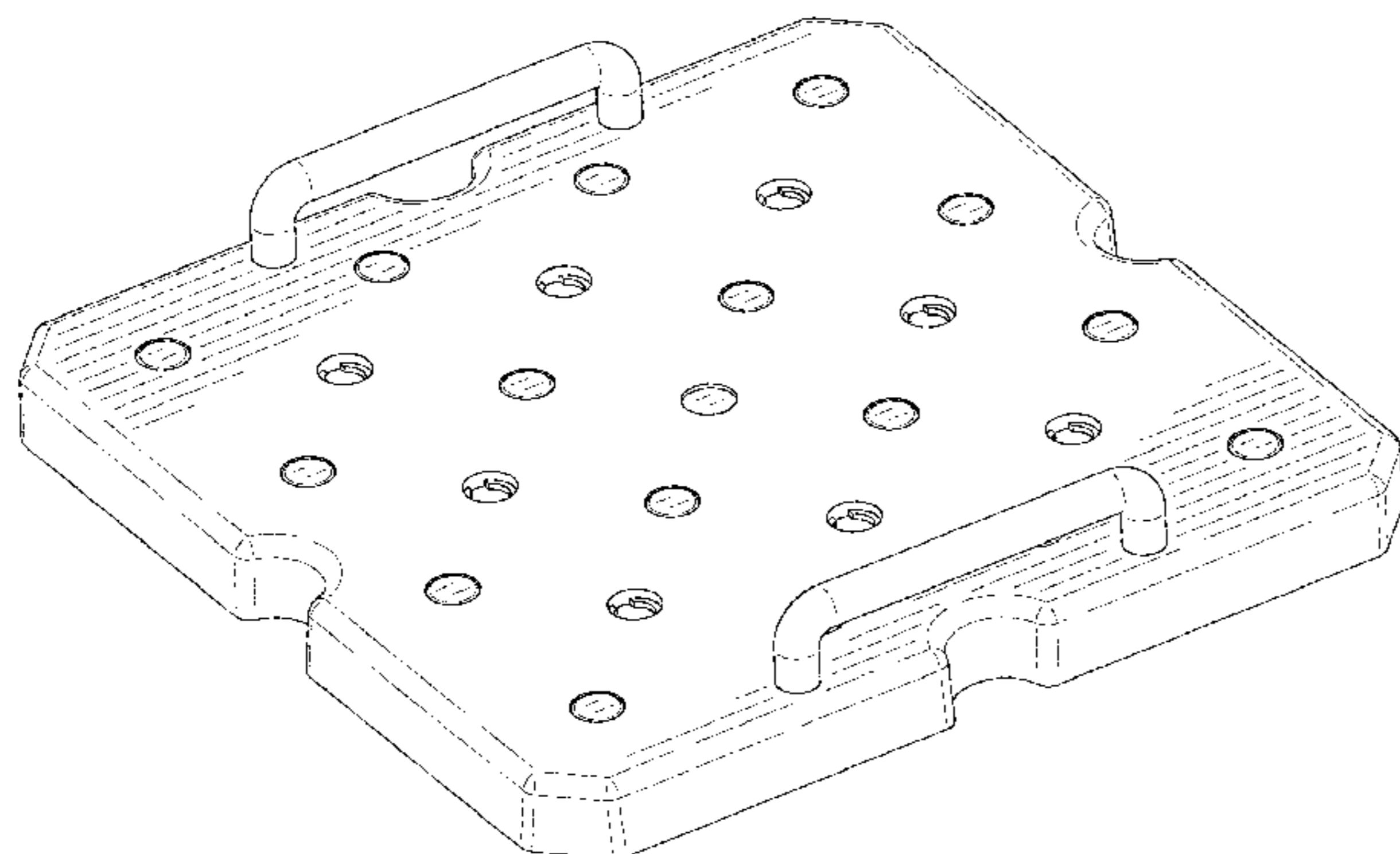
(57) **CLAIM**

The ornamental design for a planting board, as shown and described.

DESCRIPTION

FIG. 1 is a perspective view of a planting board showing my new design;
FIG. 2 is another perspective view thereof;
FIG. 3 is a front elevational view thereof;
FIG. 4 is a rear elevational view thereof;
FIG. 5 is a left side elevational view thereof;
FIG. 6 is a right side elevational view thereof;
FIG. 7 is a top plan view thereof;
FIG. 8 is a bottom plan view thereof; and,
FIG. 9 is an exploded perspective view of the planting board shown in FIG. 2.

1 Claim, 9 Drawing Sheets



(56)

References Cited

U.S. PATENT DOCUMENTS

2014/0053783 A1* 2/2014 Elliott A01K 1/0107
119/161
2014/0338578 A1* 11/2014 Pratt A01C 5/02
111/99
2019/0230869 A1* 8/2019 Krakover B65D 81/22

OTHER PUBLICATIONS

Hole Dibbler Garden Tool, Amazon Online Product Page. Earliest
Publication Date: Apr. 5, 2023. Date Accessed: Apr. 5, 2023.
Retrieved from Internet URL: [https://www.amazon.com/dp/
B0BPT43K19/ref=](https://www.amazon.com/dp/B0BPT43K19/ref=) (Year: 2023).*

* cited by examiner

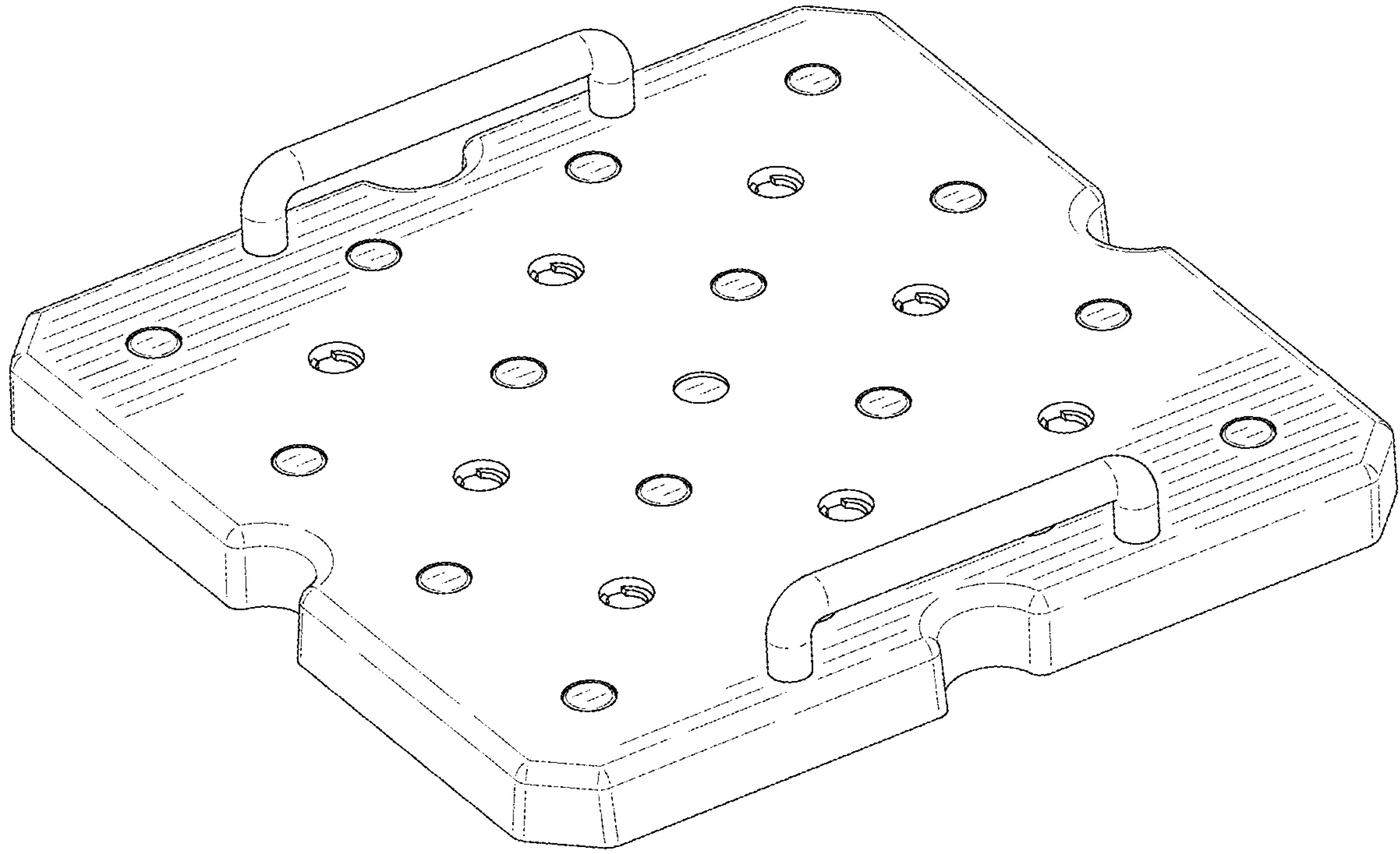


FIG. 1

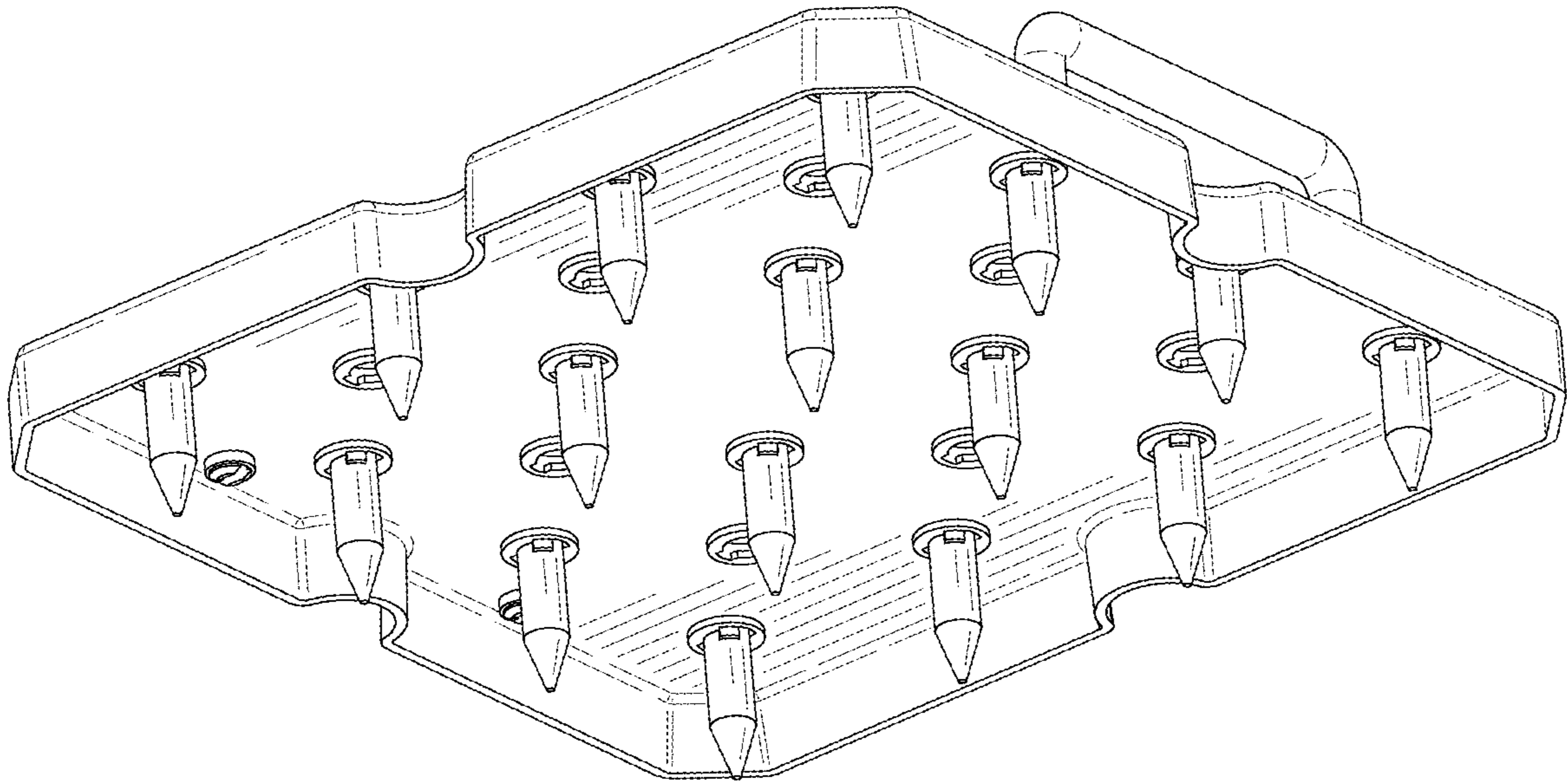


FIG. 2

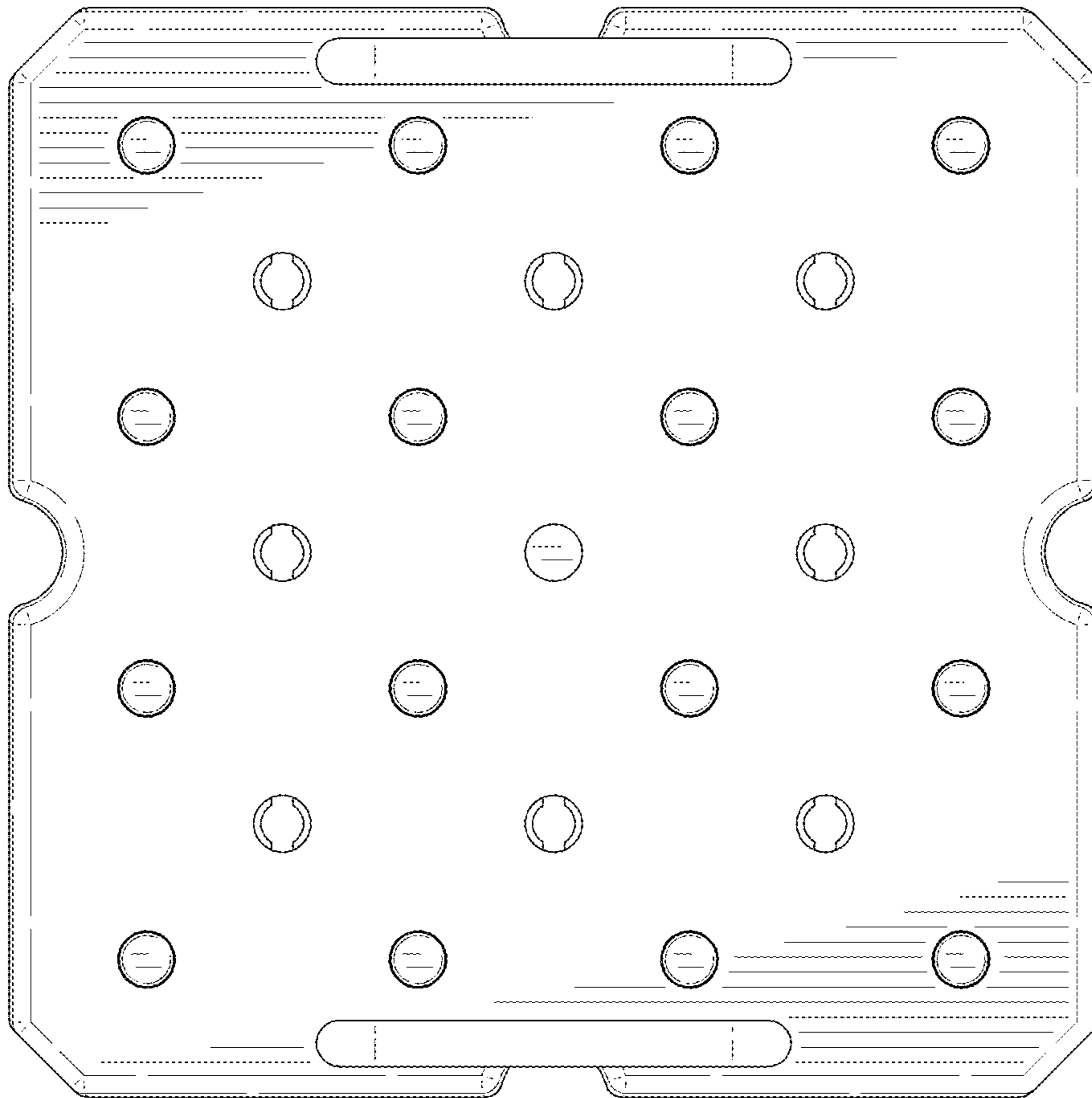


FIG. 3

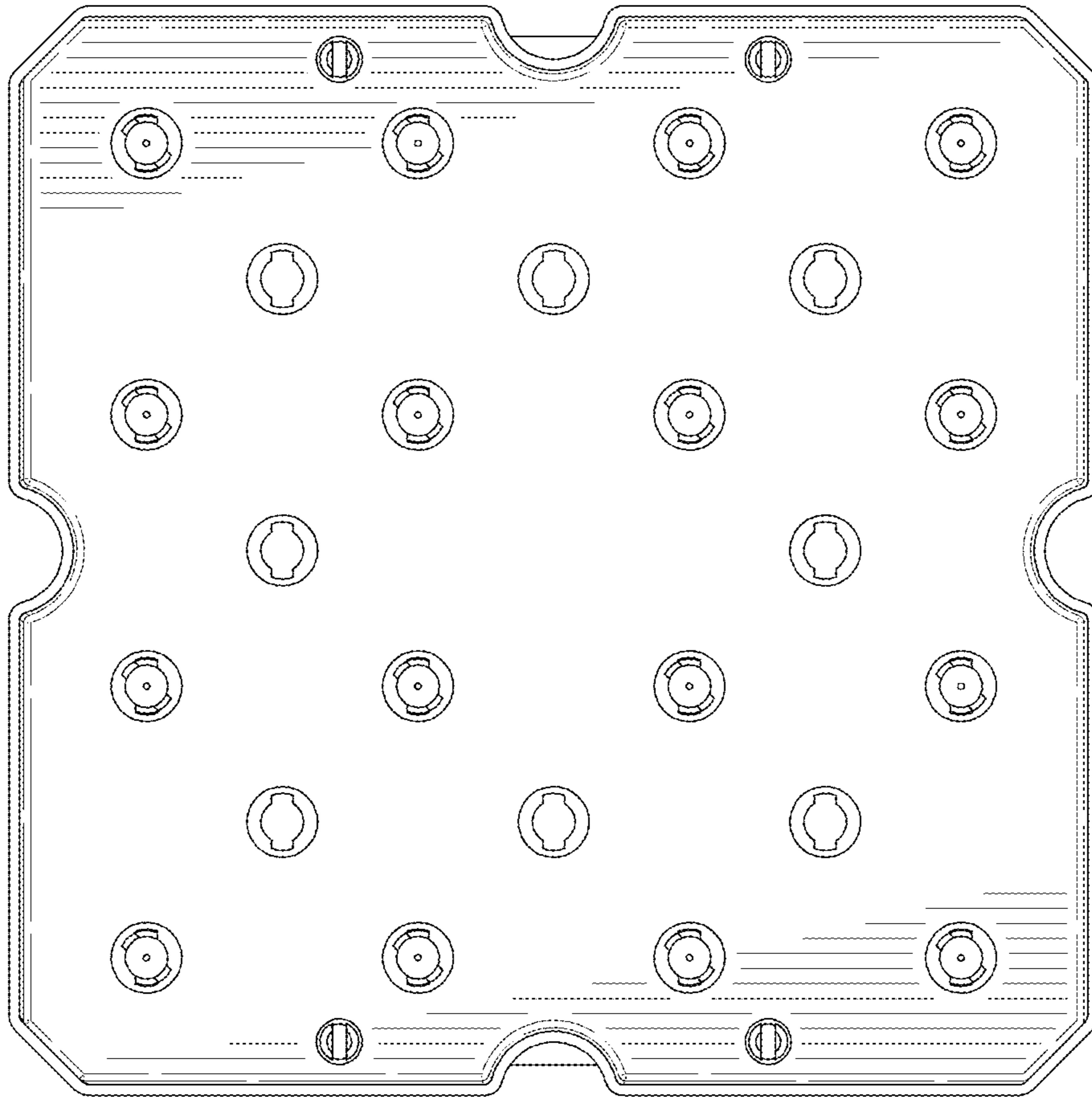


FIG. 4

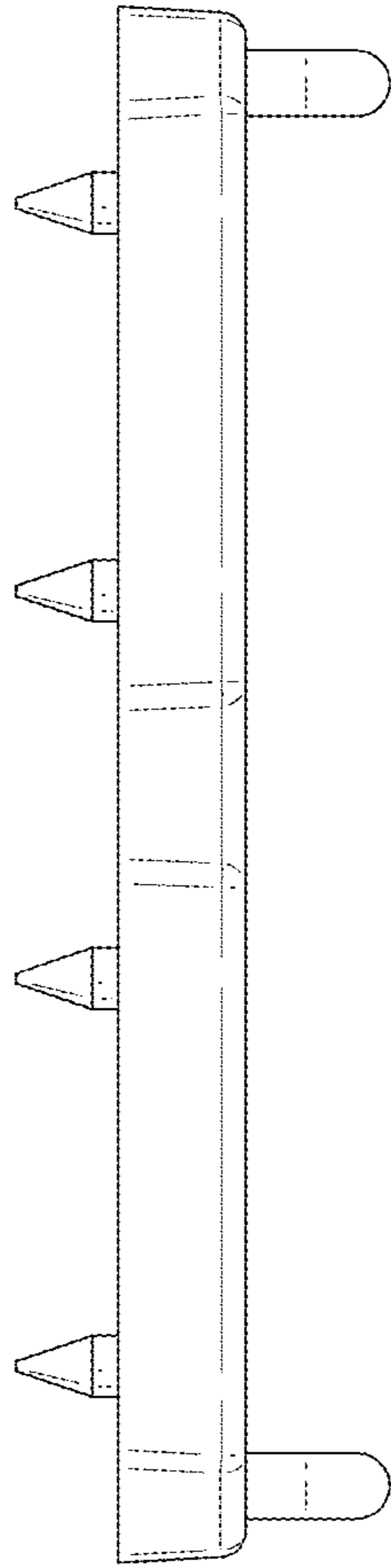


FIG. 5

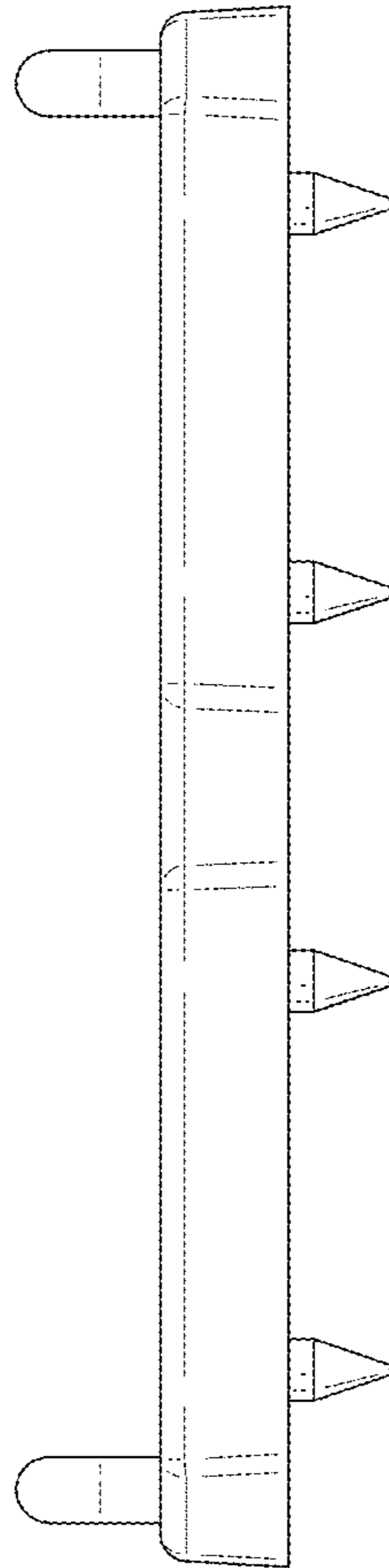


FIG. 6

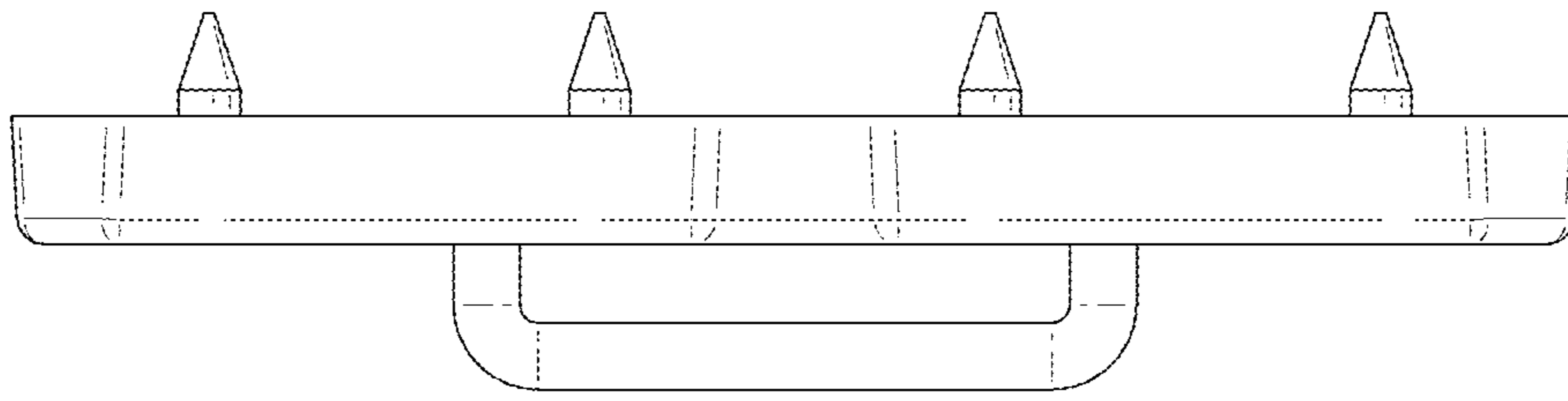


FIG. 7

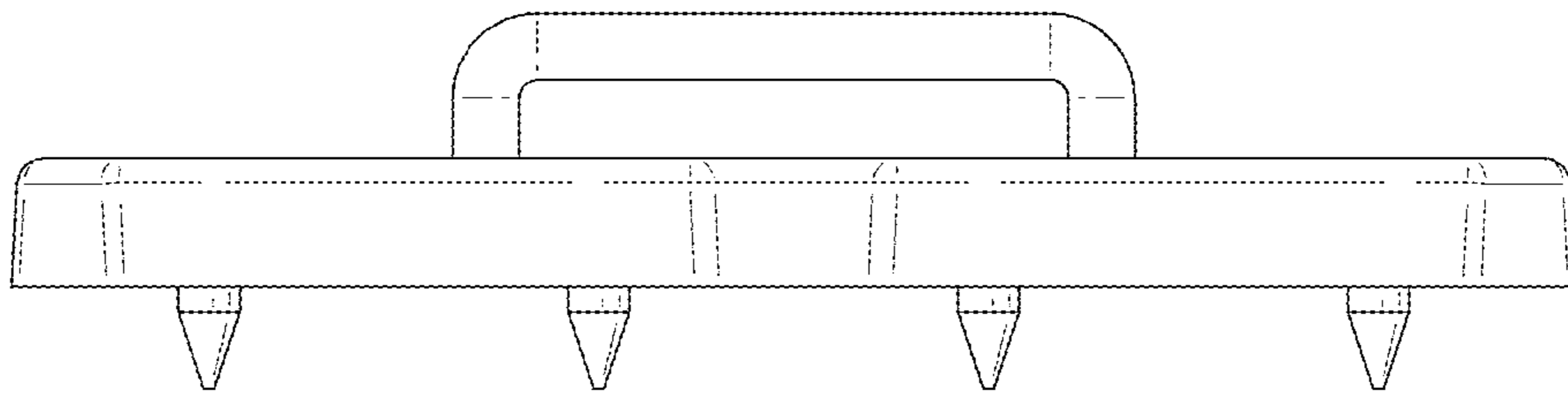


FIG. 8

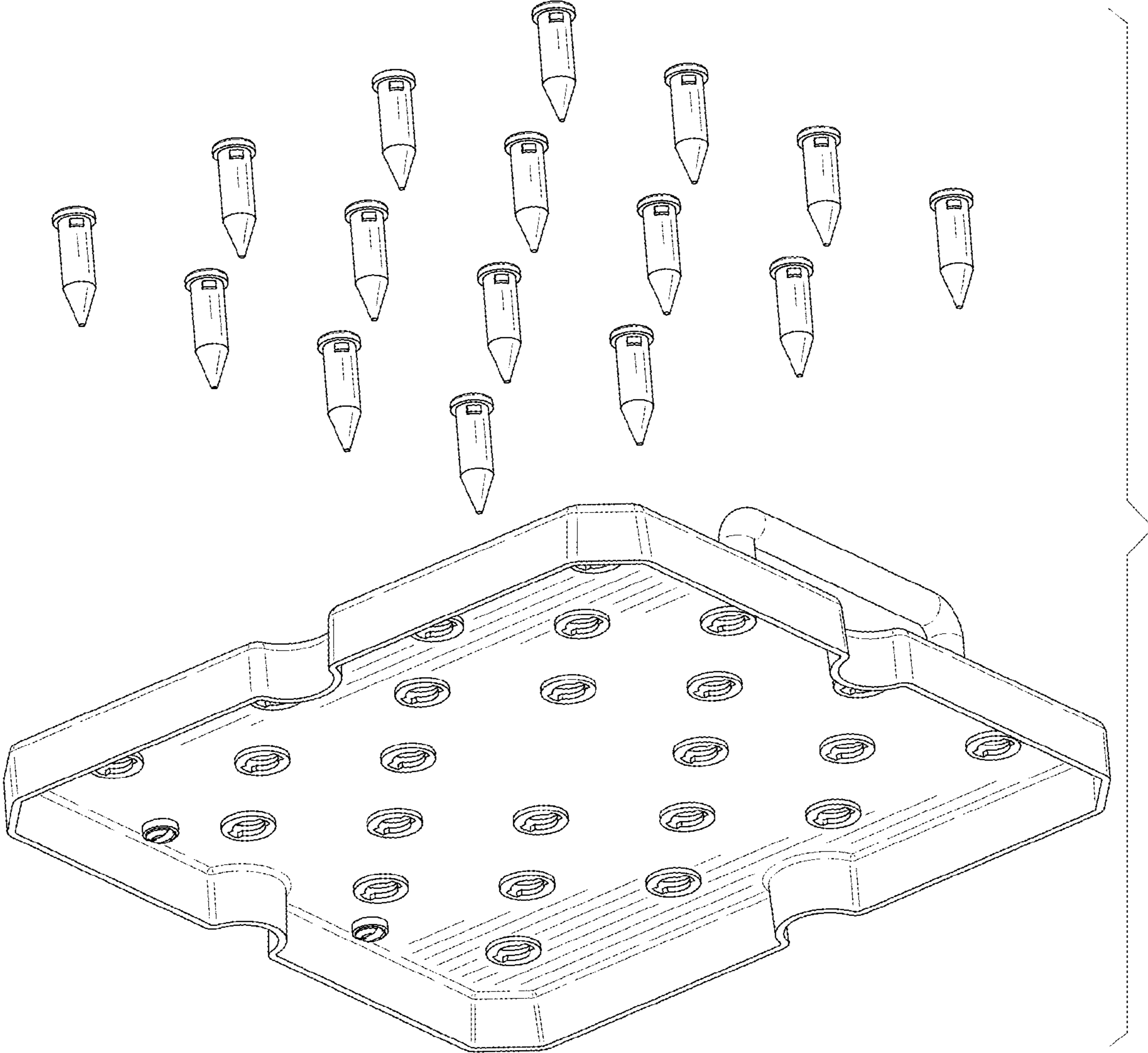


FIG. 9