



US00D986759S

(12) **United States Design Patent**
Ding

(10) **Patent No.:** **US D986,759 S**

(45) **Date of Patent:** **** May 23, 2023**

- (54) **RING**
- (71) Applicant: **Wandiao Ding**, Chaozhou (CN)
- (72) Inventor: **Wandiao Ding**, Chaozhou (CN)
- (**) Term: **15 Years**
- (21) Appl. No.: **29/870,548**
- (22) Filed: **Jan. 30, 2023**
- (51) **LOC (14) Cl.** **11-01**
- (52) **U.S. Cl.**
USPC **D11/26**
- (58) **Field of Classification Search**
USPC D11/1, 2, 3, 4, 5, 6, 26-39, 91, 92
CPC A44C 5/00; A44C 9/00; A44C 9/0007;
A44C 9/001; A44C 9/0023; A44C 9/003;
A44C 9/0038; A44C 9/0046; A44C
9/0053; A44C 9/0061; A44C 9/0069;
A44C 9/0076; A44C 9/0092; A44C
17/0258; A44C 17/0266; A44C 17/0275;
A44C 17/0283; A44C 17/02; A44C
17/0208; A44C 17/0216; A44C 17/0225;
A44C 17/0233; A44C 17/0241; A44C
17/025; A44C 17/0291
See application file for complete search history.

D394,411 S *	5/1998	Gozlan	D11/4
6,101,843 A *	8/2000	Nagano	A44C 9/003 63/15.3
D452,949 S *	1/2002	Wang	D6/719.1
D453,486 S *	2/2002	Zillig	D11/26
D473,155 S *	4/2003	Bonnet	D11/26
D473,811 S *	4/2003	Valentini	D11/34
D542,690 S *	5/2007	Miller	D11/79
D692,790 S *	11/2013	Goerges	D11/26
9,078,495 B2 *	7/2015	Rife	A44C 15/0015
D780,019 S *	2/2017	Rivière	D11/34
D811,926 S *	3/2018	Luig	D11/26
D850,319 S *	6/2019	Buccellati	D11/34
D874,316 S *	2/2020	Buccellati	D11/34
D969,010 S	11/2022	Yatsugi-Kang		

* cited by examiner

Primary Examiner — Melanie Pellegrini

(57) **CLAIM**

The ornamental design for a ring, as shown and described.

DESCRIPTION

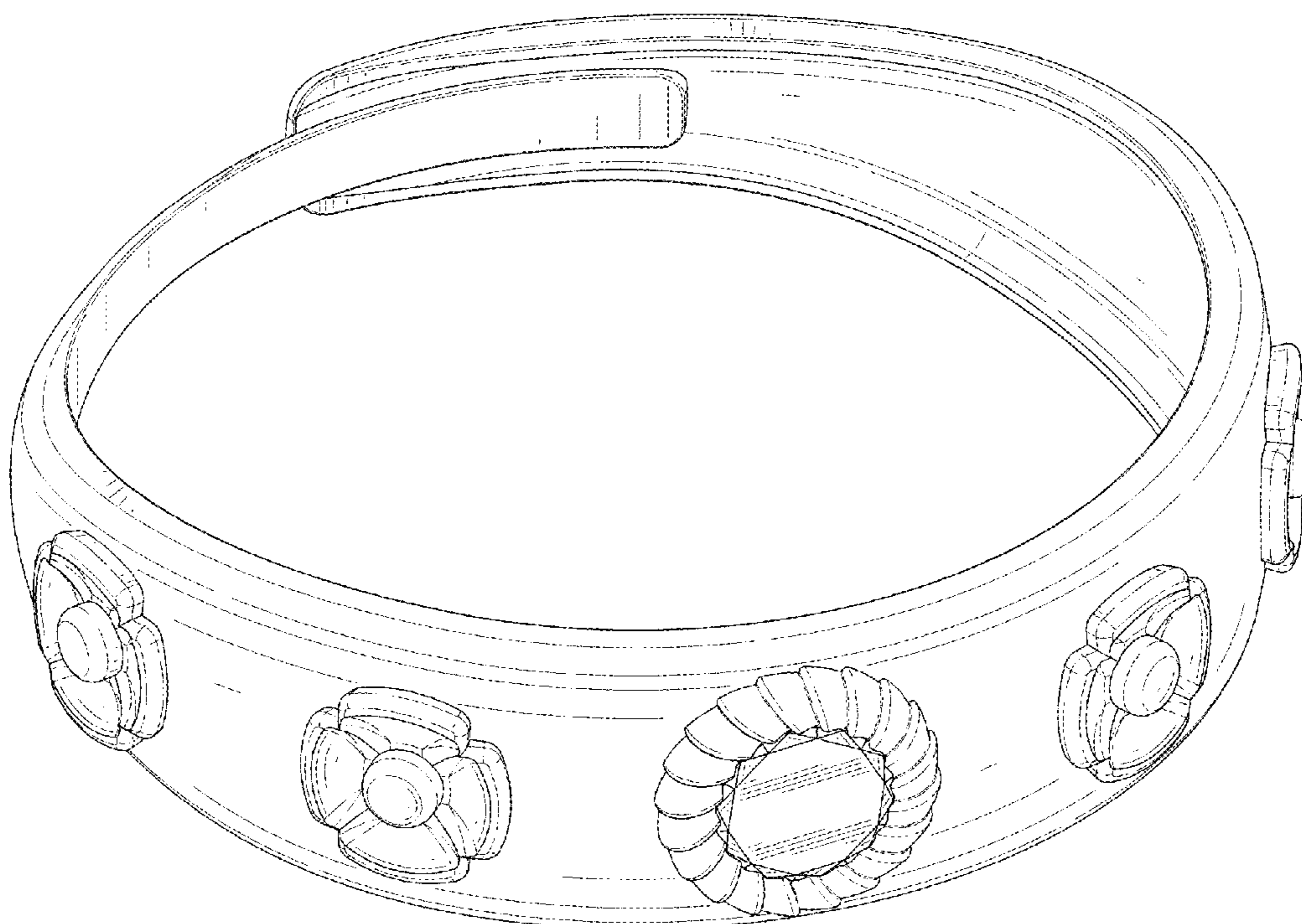
FIG. 1 is a front and top perspective view of a ring, showing my new design;
 FIG. 2 is a rear and bottom perspective view thereof;
 FIG. 3 is a front elevation view thereof;
 FIG. 4 is a rear elevation view thereof;
 FIG. 5 is a left side elevation view thereof;
 FIG. 6 is a right side elevation view thereof;
 FIG. 7 is a top plan view thereof; and,
 FIG. 8 is a bottom plan view thereof.
 The broken lines in the figures illustrate portions of the ring that form no part of the claimed design.

1 Claim, 8 Drawing Sheets

(56) **References Cited**

U.S. PATENT DOCUMENTS

D271,672 S *	12/1983	Bulgari	D11/5
D359,926 S *	7/1995	Plummer	D11/4
D363,893 S *	11/1995	Avakian	D11/4
D369,569 S *	5/1996	Kaufmann	D11/4
D380,699 S *	7/1997	Kaufmann	D11/4



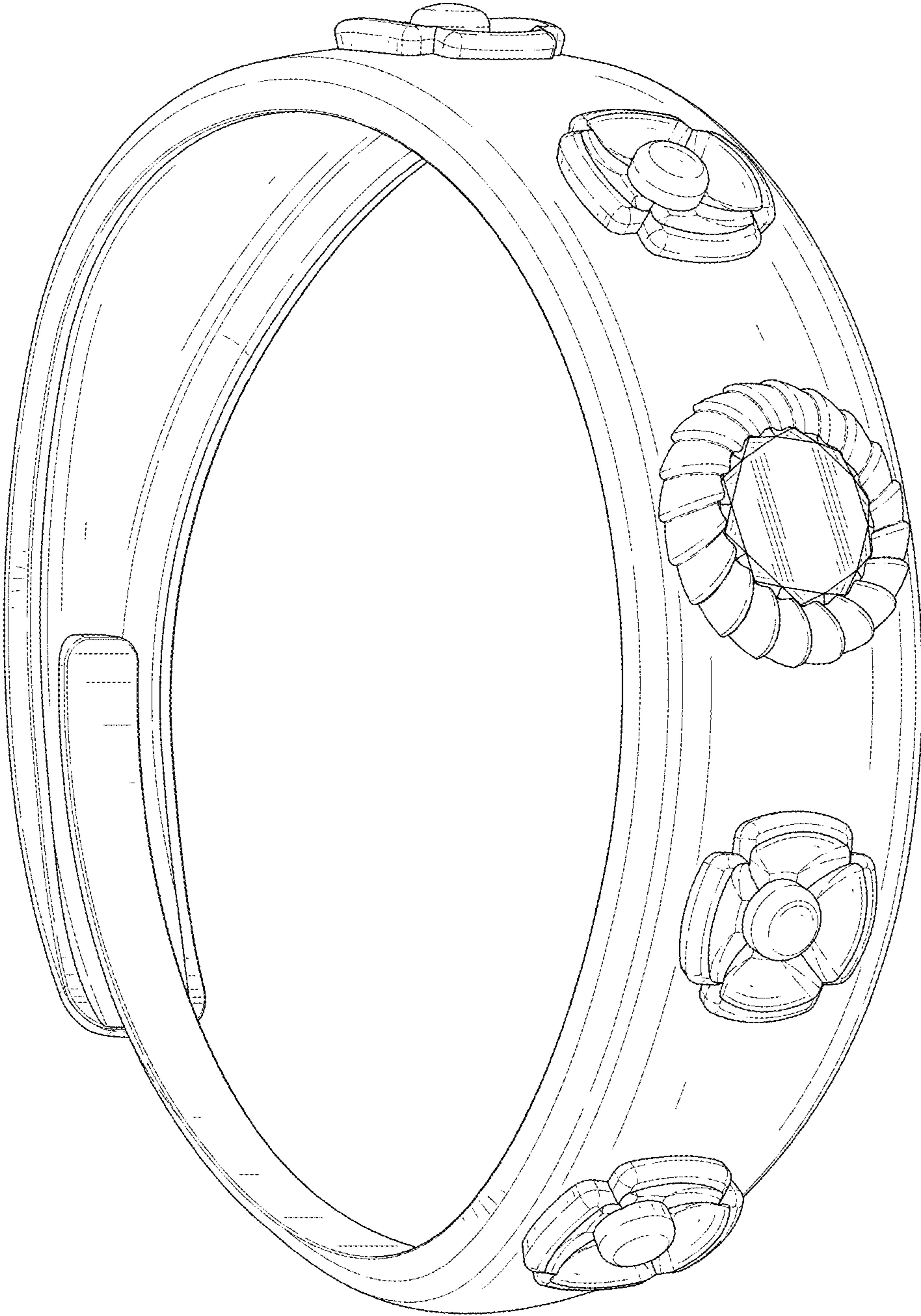


FIG. 1

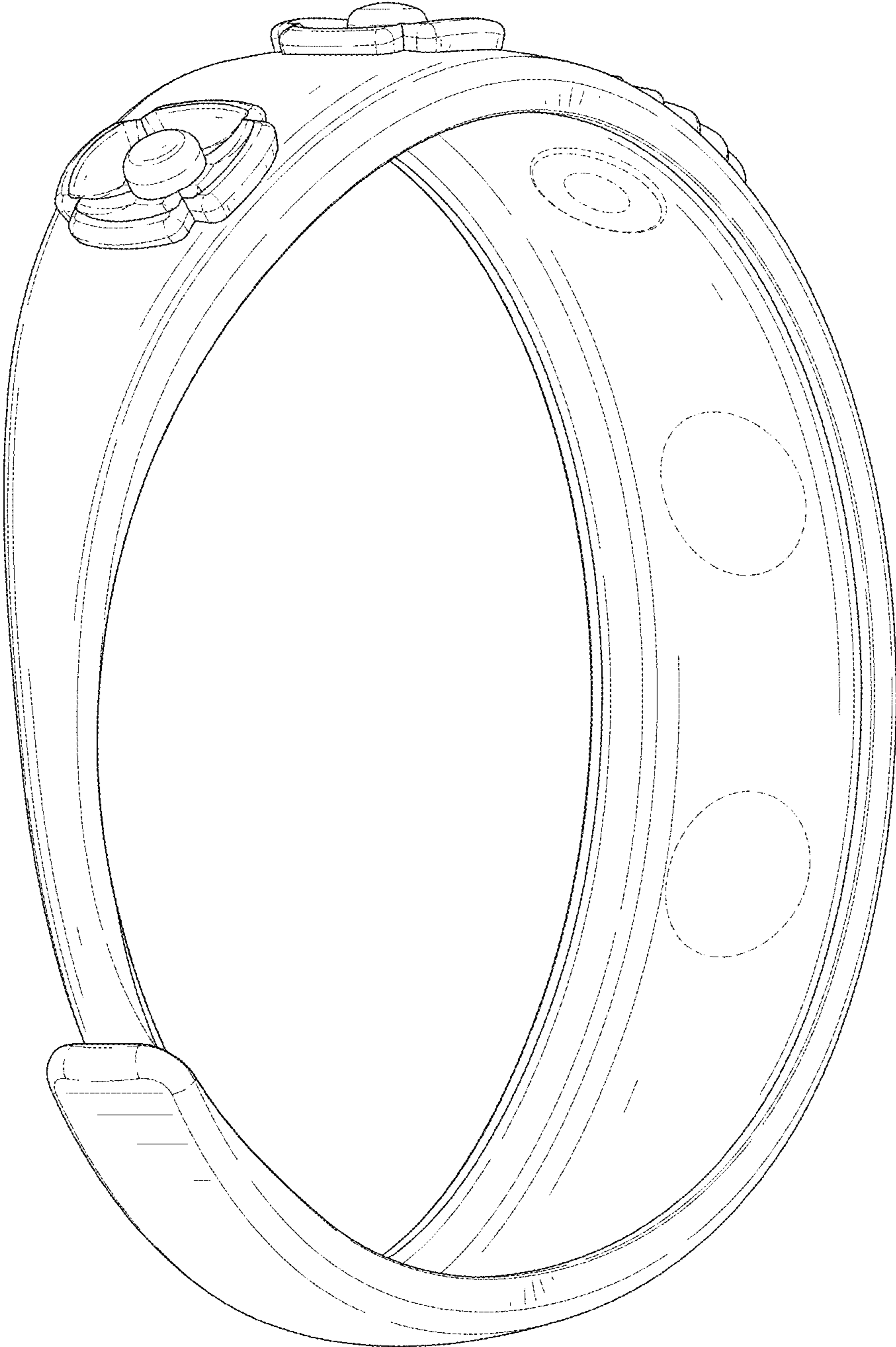


FIG. 2

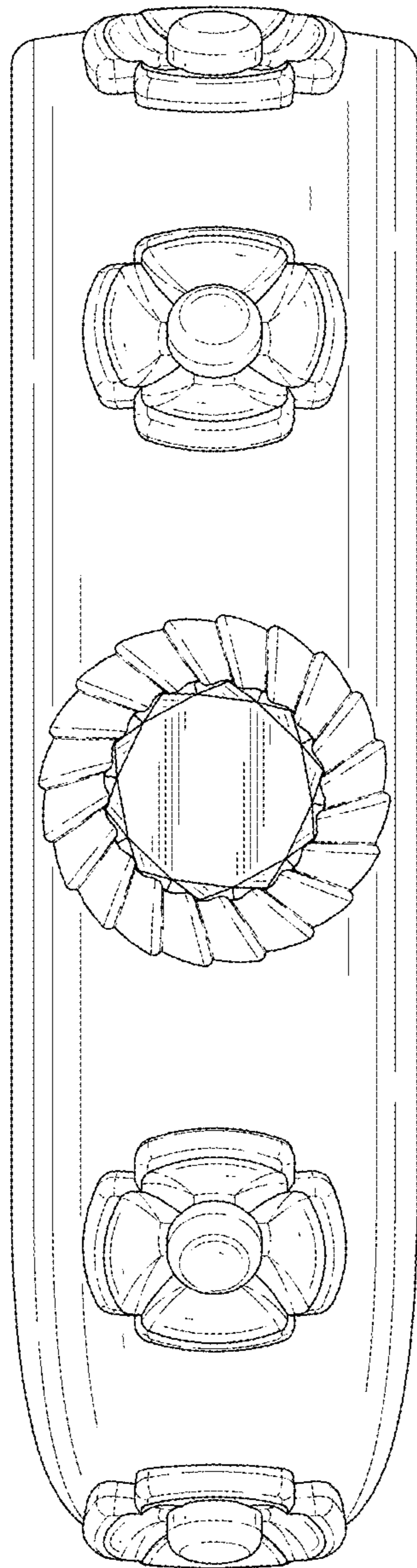


FIG. 3

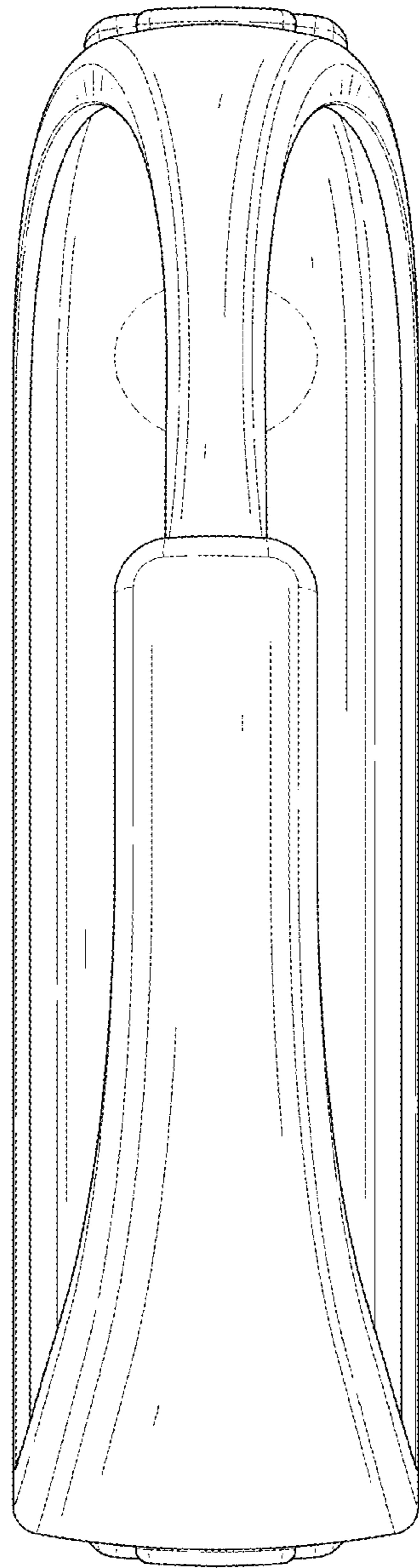


FIG. 4

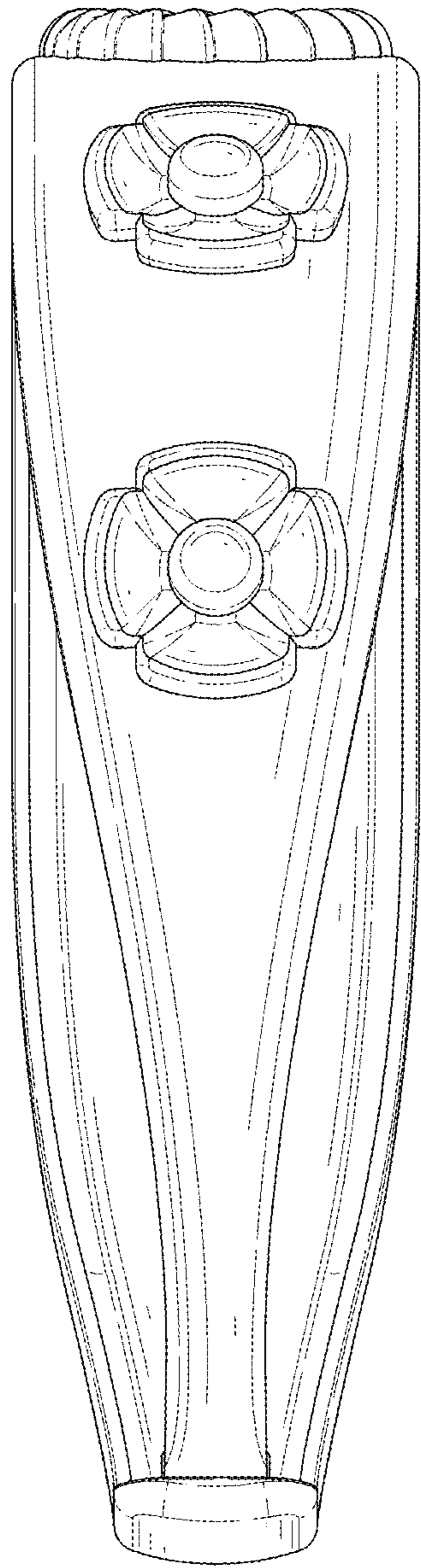


FIG. 5

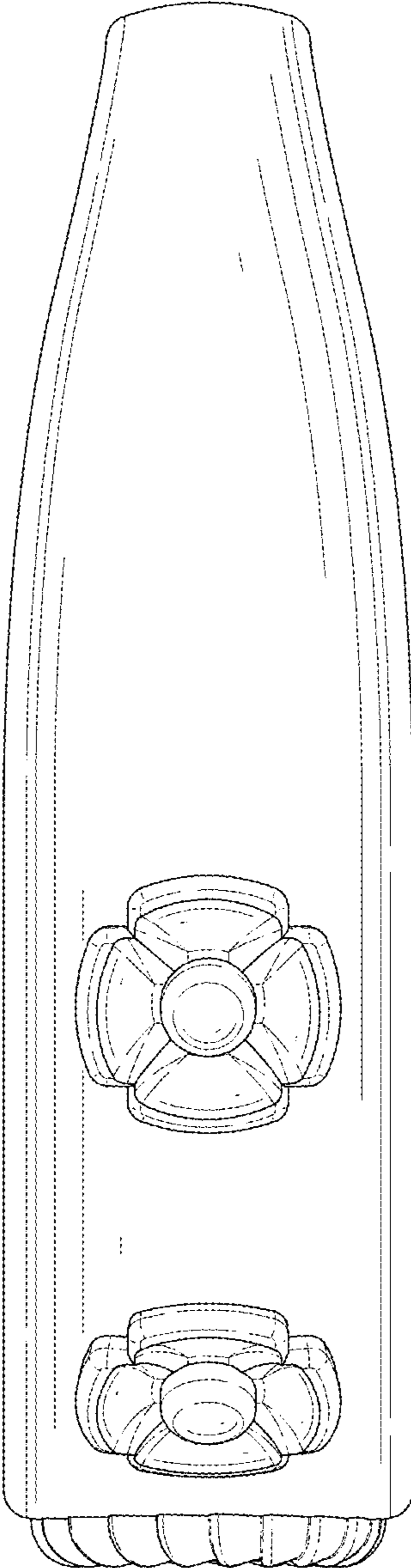


FIG. 6

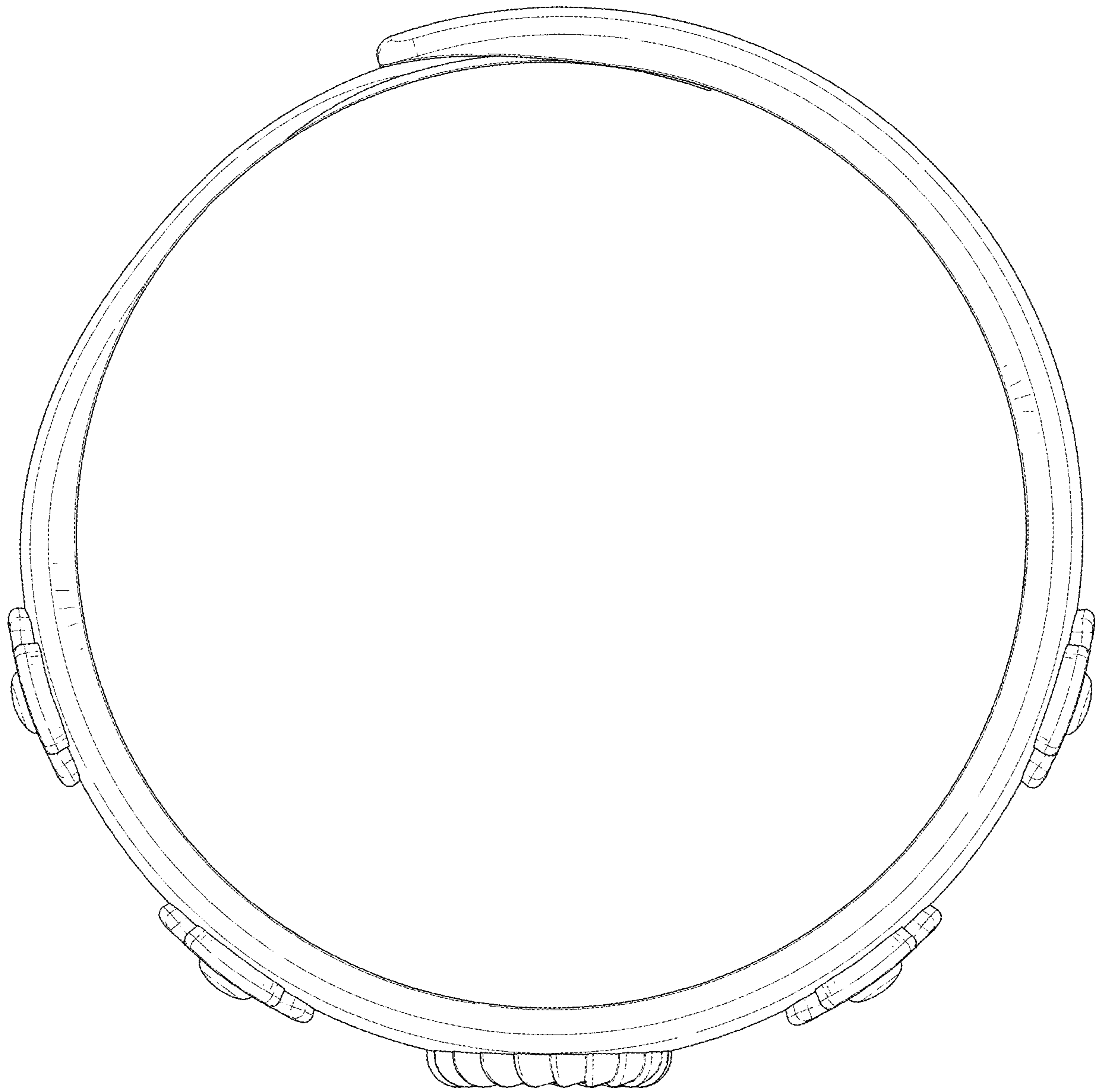


FIG. 7

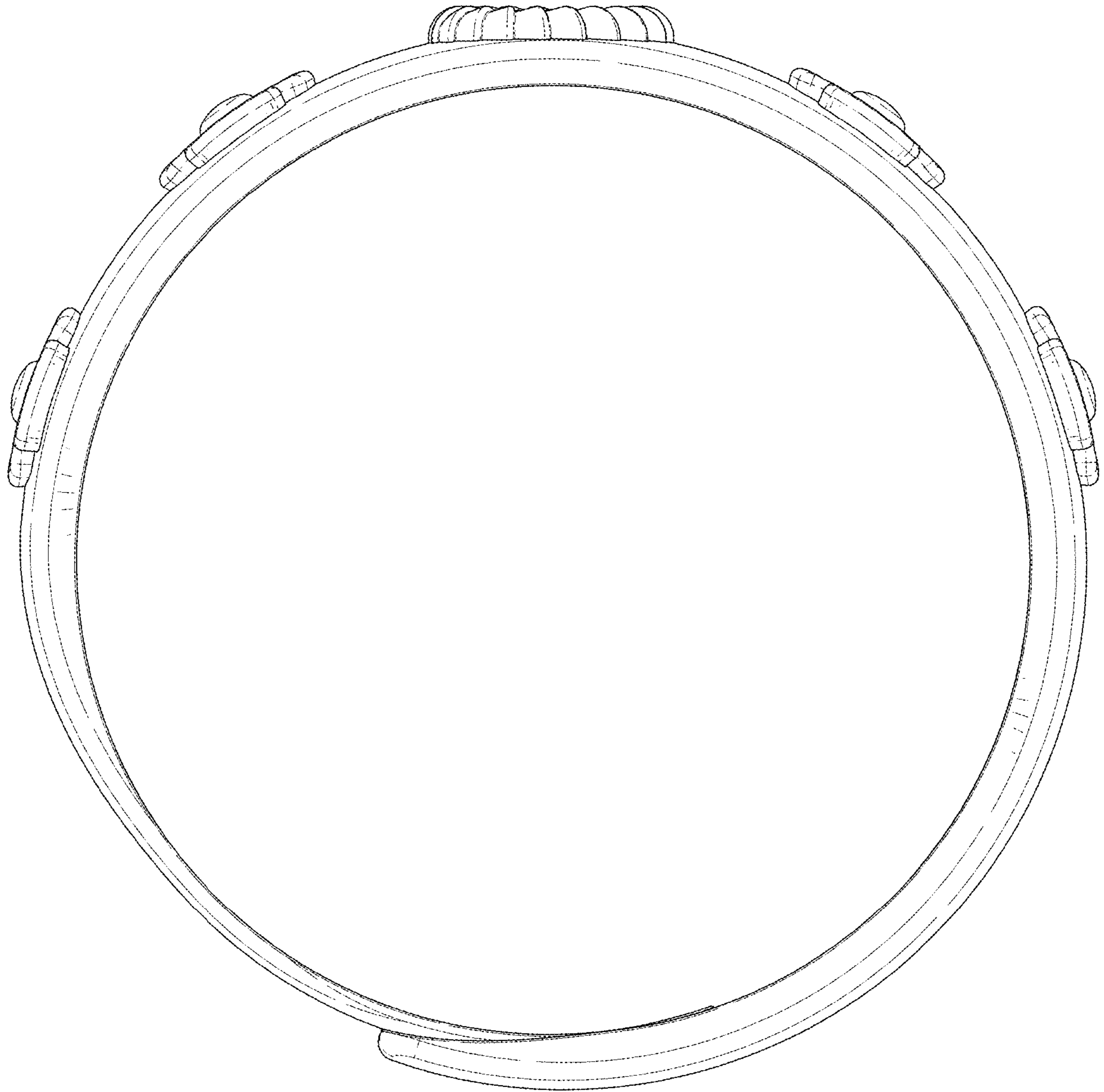


FIG. 8