



US00D986758S

(12) **United States Design Patent**
Amfiteatrof

(10) **Patent No.:** **US D986,758 S**

(45) **Date of Patent:** **** May 23, 2023**

(54) **JEWELRY**

(71) Applicant: **LOUIS VUITTON MALLETIER**,
Paris (FR)

(72) Inventor: **Francesca Amfiteatrof**, Paris (FR)

(73) Assignee: **Louis Vuitton Malletier**, Paris (FR)

(**) Term: **15 Years**

(21) Appl. No.: **29/745,973**

(22) Filed: **Aug. 11, 2020**

(30) **Foreign Application Priority Data**

Feb. 14, 2020 (FR) 2020-0772

(51) **LOC (14) Cl.** **11-01**

(52) **U.S. Cl.**
USPC **D11/4**

(58) **Field of Classification Search**
USPC D11/1-5, 15-17, 20, 26-29, 34
CPC A44C 17/02; A44C 5/0084; A44C 5/0092;
A44C 5/12
See application file for complete search history.

(56) **References Cited**

U.S. PATENT DOCUMENTS

- 2,346,607 A * 4/1944 Raiman A44C 9/02
D11/27
- D151,362 S * 10/1948 Katz D11/4
- D151,363 S * 10/1948 Katz D11/4
- D158,324 S * 4/1950 Philippe D11/4
- D158,759 S * 5/1950 Katz D11/4
- D158,760 S * 5/1950 Katz D11/4
- D158,762 S * 5/1950 Katz D11/4
- D159,857 S * 8/1950 Philippe D11/4
- D543,128 S * 5/2007 Becker D11/26
- D548,113 S * 8/2007 Burton D10/32
- D562,173 S * 2/2008 Hardy D11/4
- D645,376 S * 9/2011 Bulgari D11/4

- D652,339 S * 1/2012 Zander D11/4
- D705,112 S * 5/2014 Namazy D24/134
- D708,527 S * 7/2014 Boffi D10/31
- D709,788 S * 7/2014 Samanta D11/4
- D726,574 S * 4/2015 Krahbichler D11/27
- D730,230 S * 5/2015 Zeuner D11/27
- D739,274 S * 9/2015 Chen D10/70
- D740,151 S * 10/2015 Harrigan D11/3

(Continued)

FOREIGN PATENT DOCUMENTS

- CN 305445862 * 11/2019
- CN 306051936 * 9/2020

OTHER PUBLICATIONS

The Second Fine Jewelry Drop From Louis Vuitton Is Here, available Jul. 6, 2020, online, site visited May 4, 2022. Available online, URL: <https://www.gqmiddleeast.com/style/louis-vuitton-release-volt-jewellery> (Year: 2020).*

(Continued)

Primary Examiner — W. A. Teddy Falloway

Assistant Examiner — Sarah J Ault

(74) *Attorney, Agent, or Firm* — Fross Zelnick Lehrman & Zissu, P.C.; Charles T. J. Weigell, Esq.

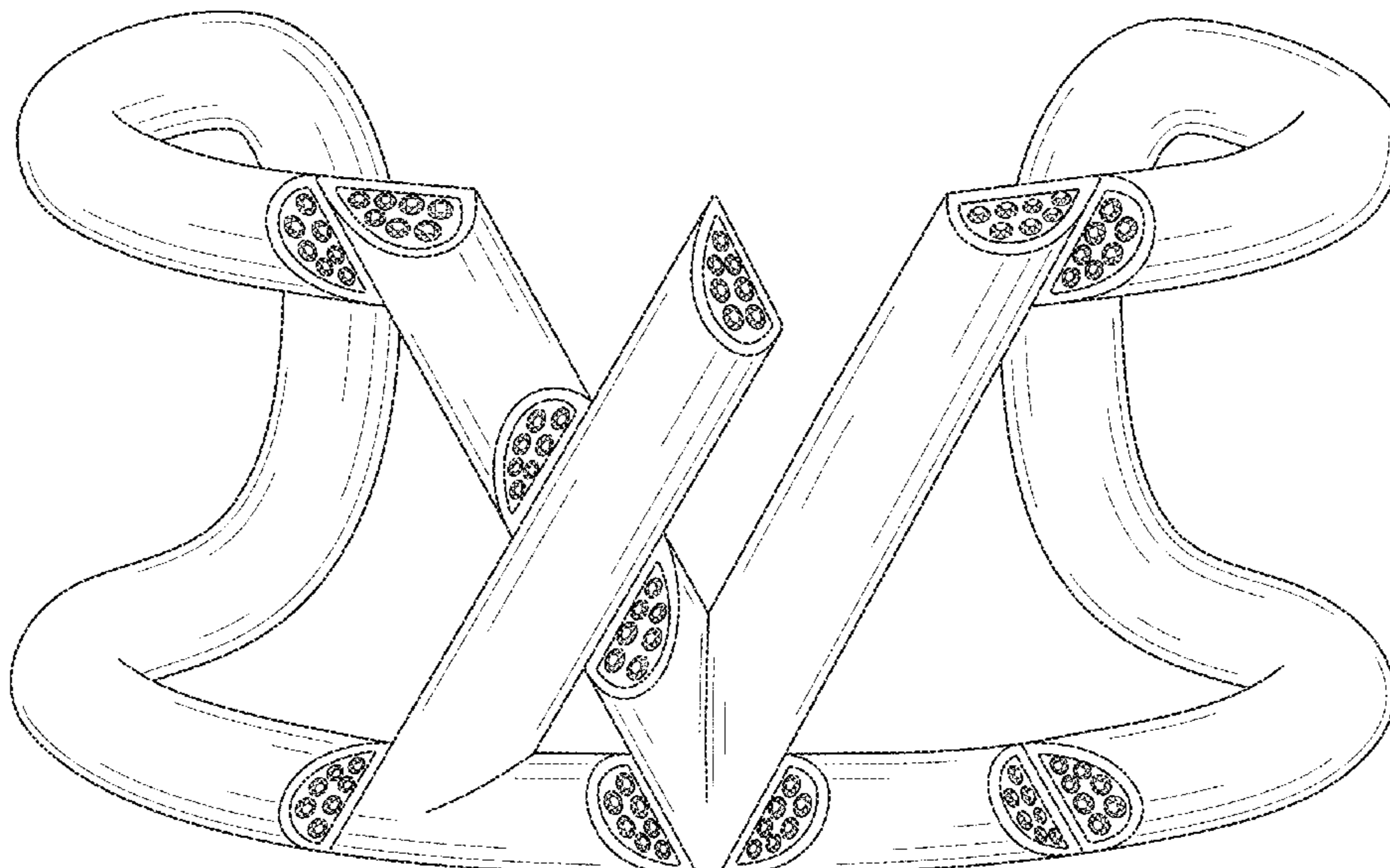
(57) **CLAIM**

The ornamental design for jewelry, as shown and described.

DESCRIPTION

FIG. 1 is a perspective view of the jewelry showing my new design;
FIG. 2 is a front view thereof;
FIG. 3 is a back view thereof;
FIG. 4 is a left side view thereof;
FIG. 5 is a right side view thereof; and,
FIG. 6 is a bottom view thereof.

1 Claim, 6 Drawing Sheets



(56)

References Cited

U.S. PATENT DOCUMENTS

D742,776 S * 11/2015 Guichot D11/27
 D784,839 S * 4/2017 Frazzini D11/3
 D784,844 S * 4/2017 Amfitheatrof D11/27
 D784,845 S * 4/2017 Amfitheatrof D11/27
 10,064,459 B1 * 9/2018 Cantas A44C 17/0225
 D830,220 S * 10/2018 Hardy D11/26
 D834,982 S * 12/2018 Amfitheatrof D11/4
 D842,751 S * 3/2019 Hardy D11/26
 D845,818 S * 4/2019 Buccellati D11/16
 D848,302 S * 5/2019 Buccellati D11/16
 D854,440 S * 7/2019 Amfitheatrof D11/4
 D878,955 S * 3/2020 Gurung D11/34
 D884,539 S * 5/2020 Zhang D11/4
 D917,326 S * 4/2021 Matheny D11/4

OTHER PUBLICATIONS

Louis Vuitton's new and gender-neutral LV Volt is the jewellery collection to go for right now, available Sep. 16, 2020, available online, site visited May 4, 2022. Available online, URL: <https://vogue.sg/louis-vuitton-lv-volt-fine-jewellery-francesca-amfitheatrof/> (Year: 2020).*

At Louis Vuitton Fine Jewelry Gets A Dose of High Wattage Cool, available Aug. 23, 2020, online, site visited May 4, 2022. Available online, URL: <https://www.femalemag.com.sg/gallery/watches-and-jewellery/louis-vuitton-new-lv-volt-fine-jewellery-launch-francesca-amfitheatrof/> (Year: 2020).*

* cited by examiner

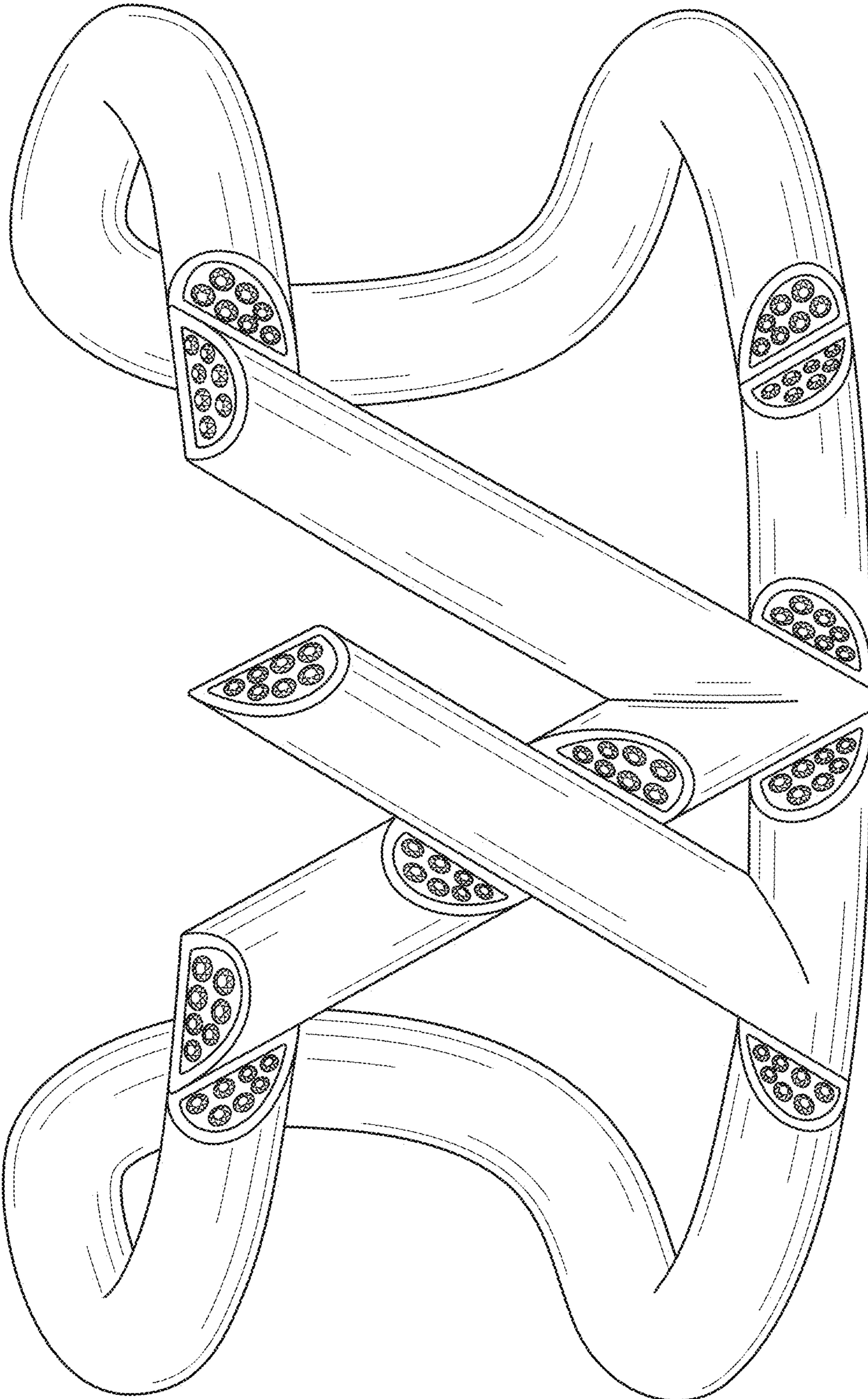


FIG. 1

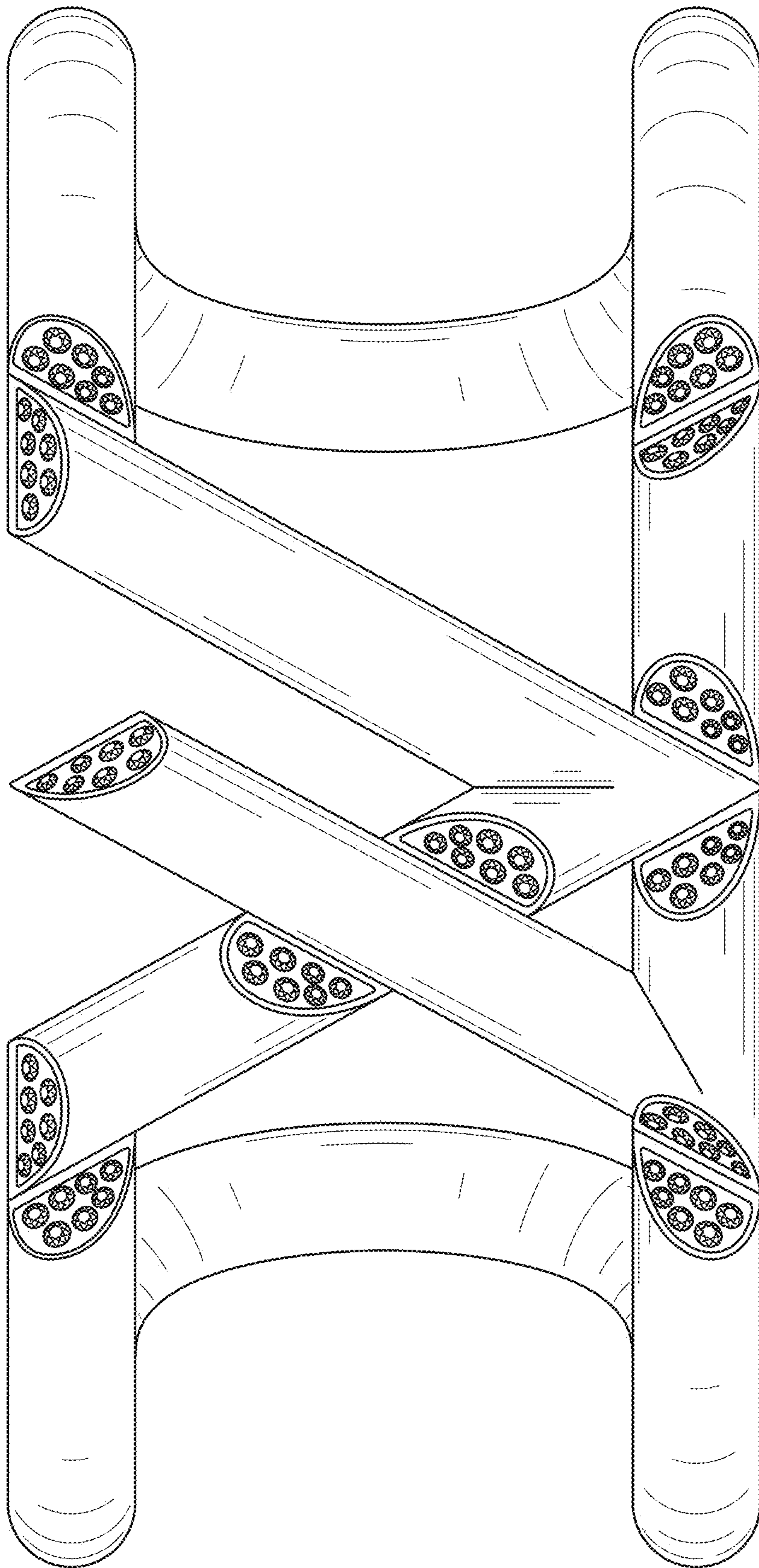


FIG. 2

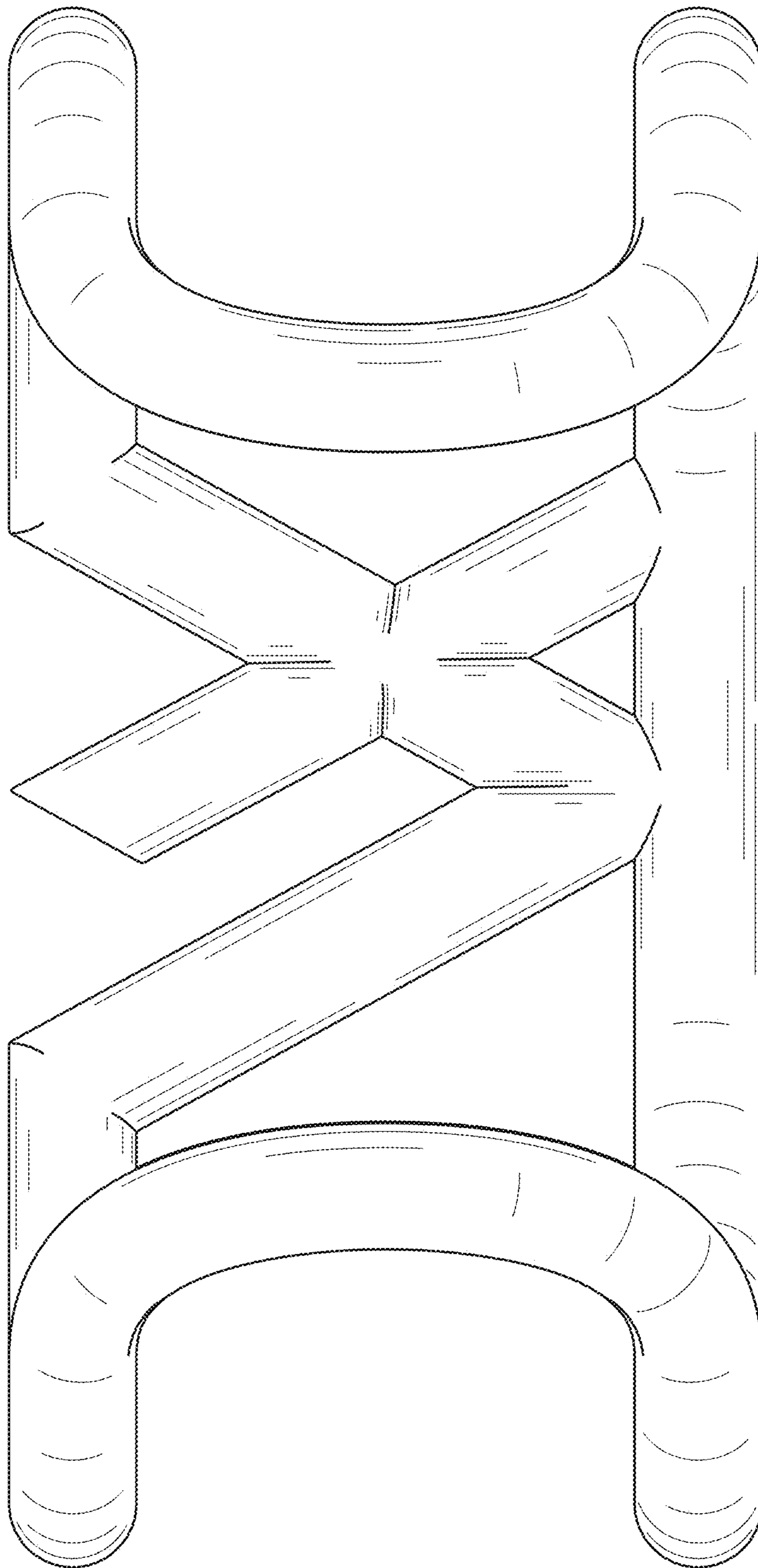


FIG. 3

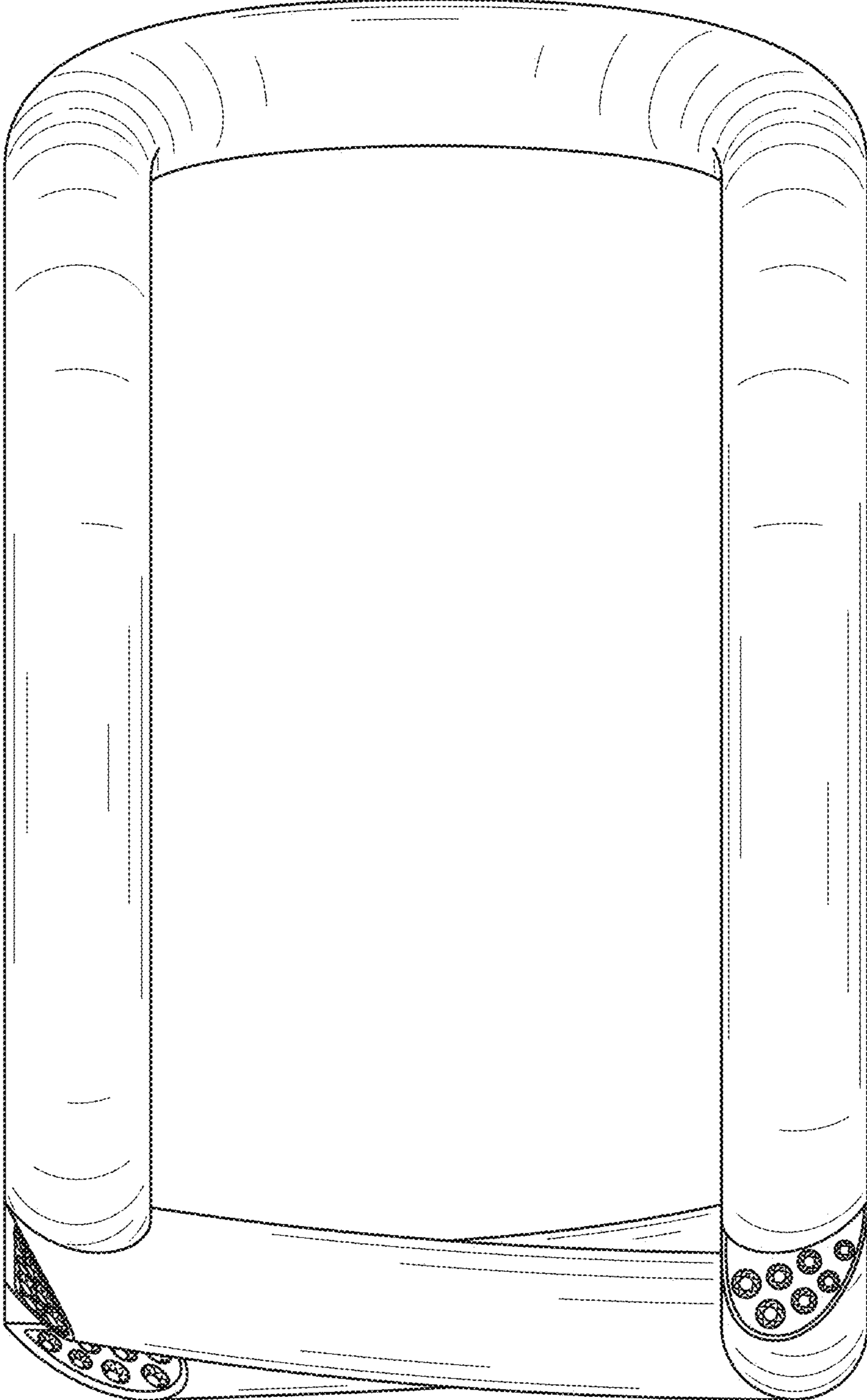


FIG. 4

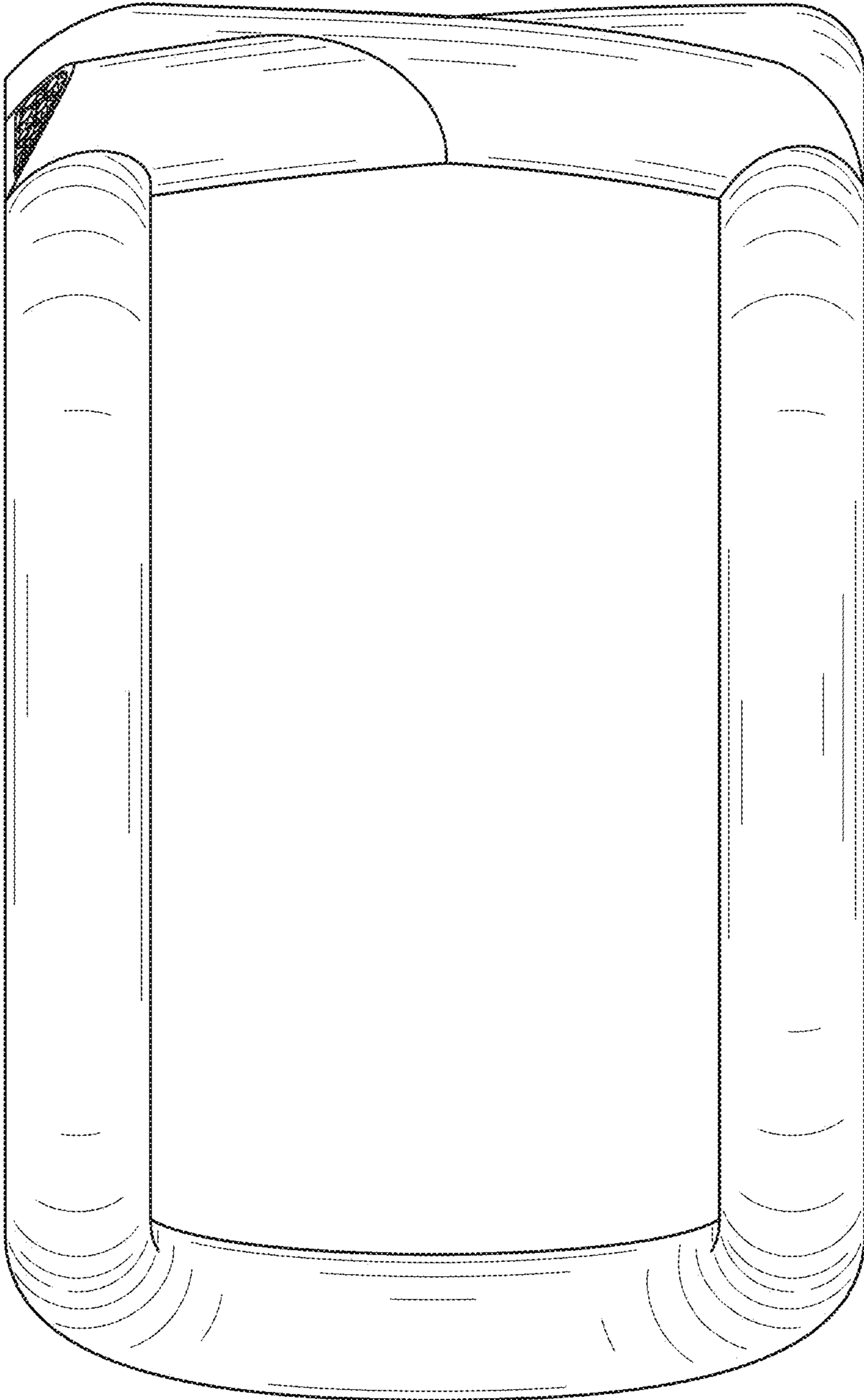


FIG. 5

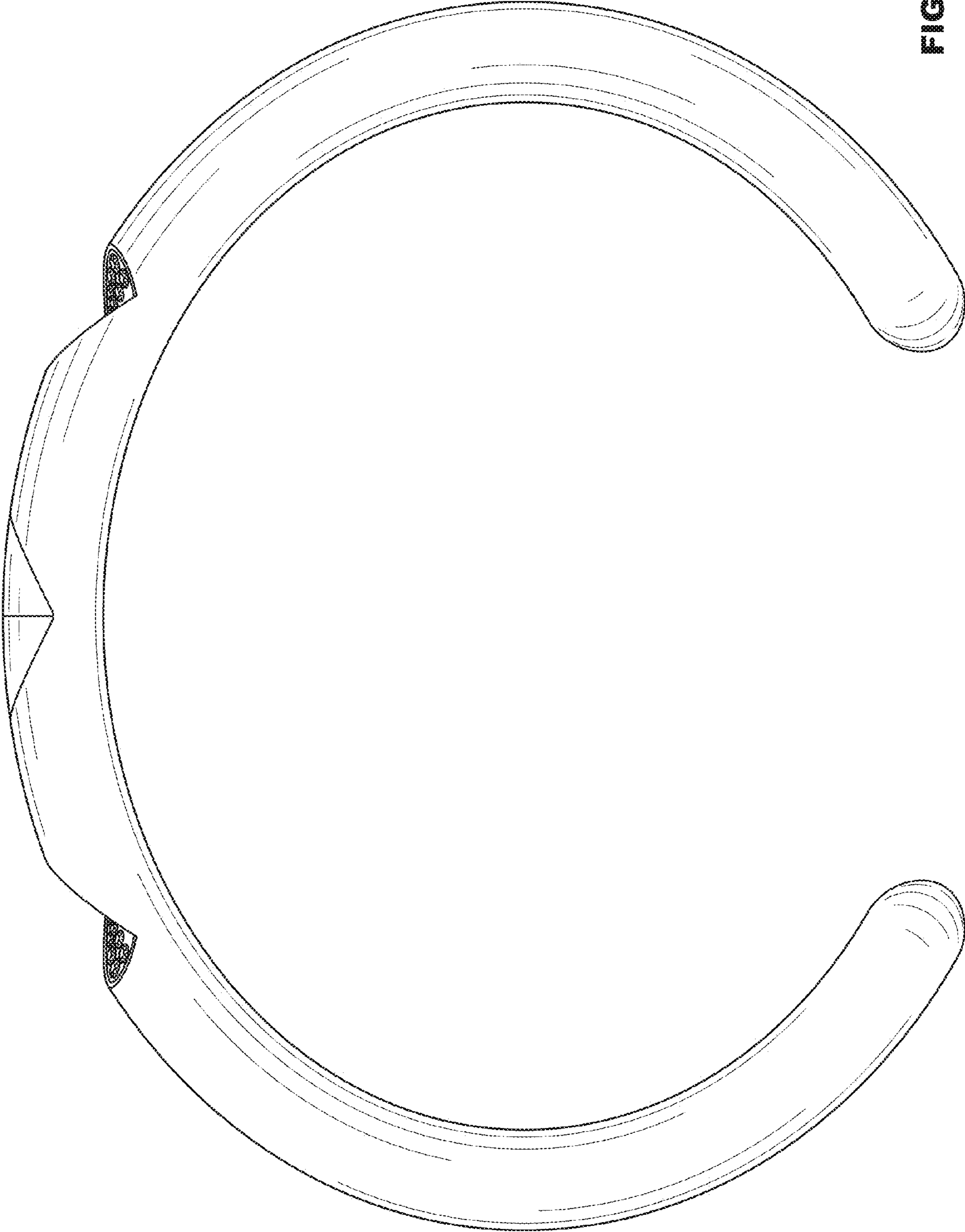


FIG. 6