



US00D986757S

(12) **United States Design Patent**
Wu

(10) **Patent No.:** **US D986,757 S**

(45) **Date of Patent:** **** May 23, 2023**

(54) **WATCHBAND**

(71) Applicant: **Huodi Wu, Ji'an (CN)**

(72) Inventor: **Huodi Wu, Ji'an (CN)**

(**) Term: **15 Years**

(21) Appl. No.: **29/885,678**

(22) Filed: **Feb. 28, 2023**

(51) **LOC (14) Cl.** **11-01**

(52) **U.S. Cl.**

USPC **D11/3**

(58) **Field of Classification Search**

USPC D11/1-25; D10/30-39; D14/344;
D24/167, 186, 187

CPC G04B 37/00; G04B 37/1486; G04B 37/16;
G04B 37/18; G04B 37/14; A44C 5/00;
A44C 5/0007; A44C 5/0015; A44C
5/0023; A44C 5/003; A44C 5/0046; A44C
5/0053; A44C 5/0061; A44C 5/0069;
A44C 5/0076; A44C 5/0084; A44C
5/0092; A44C 5/02; A44C 5/022; A44C
5/025; A44C 5/027; A44C 5/04; A44C
5/06; A44C 5/08; A44C 5/10; A44C
5/102; A44C 5/105; A44C 5/107; A44C
5/12; A44C 5/14; A44C 5/142; A44C
5/145; A44C 5/147; A44C 5/16; A44C
5/18; A44C 5/185; A44C 5/20

See application file for complete search history.

(56) **References Cited**

U.S. PATENT DOCUMENTS

D71,557 S * 11/1926 Lederer D11/3
D160,256 S * 9/1950 Ermer D11/19

D212,640 S * 11/1968 Bollier D11/3
D315,117 S * 3/1991 Cowan D11/19
D338,173 S * 8/1993 Pitteloud D11/17
D346,132 S * 4/1994 McNally D11/19
D349,866 S * 8/1994 McNally D11/19
D356,975 S * 4/1995 McNally D11/24
D396,016 S * 7/1998 Schoepfer D11/25
D748,001 S * 1/2016 Delhotal D11/13
D758,211 S * 6/2016 Maffioli D11/16
D949,711 S * 4/2022 Huang D10/32
D957,281 S * 7/2022 Huang D10/132
D966,921 S 10/2022 Rao

* cited by examiner

Primary Examiner — Melanie Pellegrini

(57) **CLAIM**

The ornamental design for a watchband, as shown and described.

DESCRIPTION

FIG. 1 is a front perspective view of a watchband, showing my new design;

FIG. 2 is a front view thereof;

FIG. 3 is a rear view thereof;

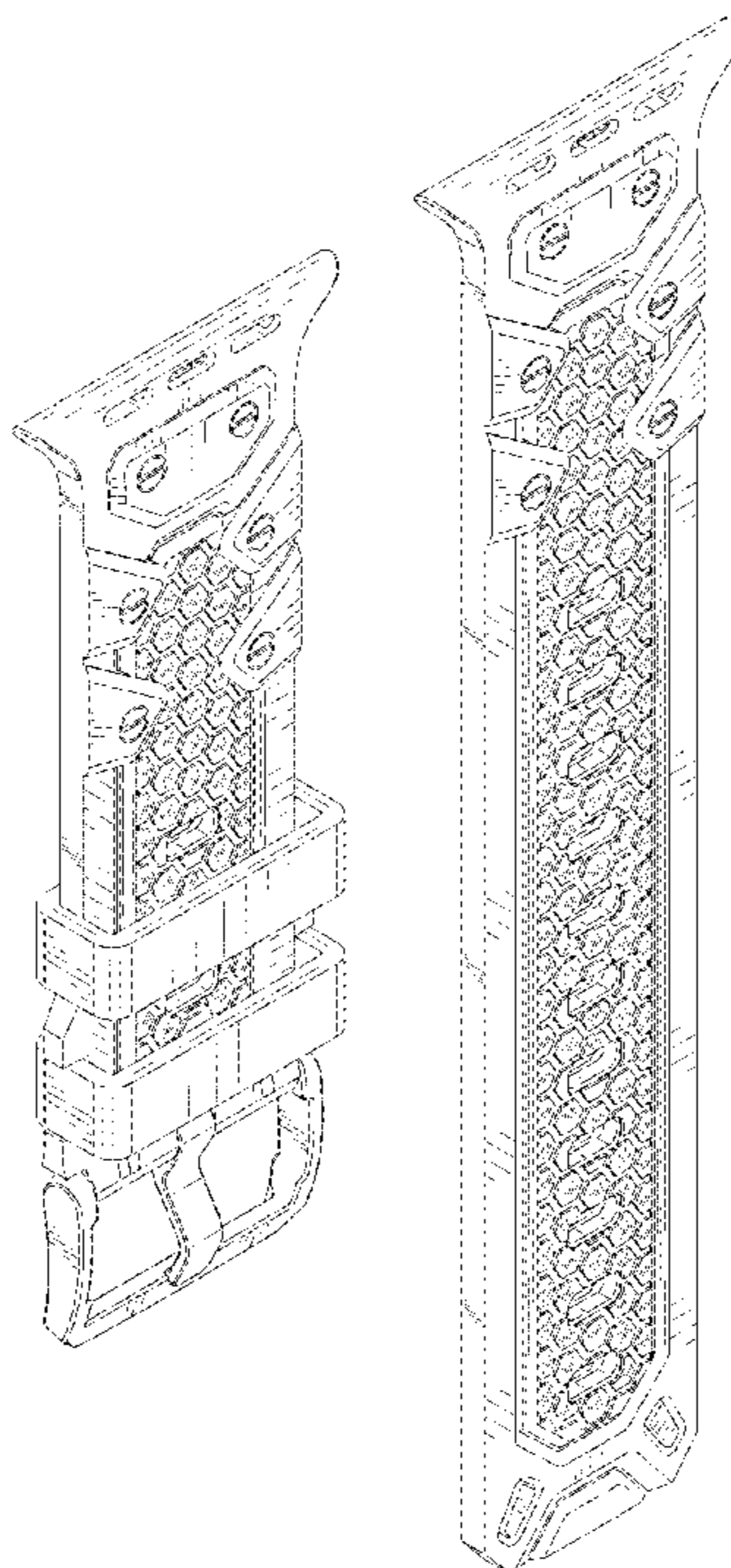
FIG. 4 is a left side view thereof;

FIG. 5 is a right side view thereof;

FIG. 6 is a top view thereof; and,

FIG. 7 is a bottom view thereof.

1 Claim, 7 Drawing Sheets



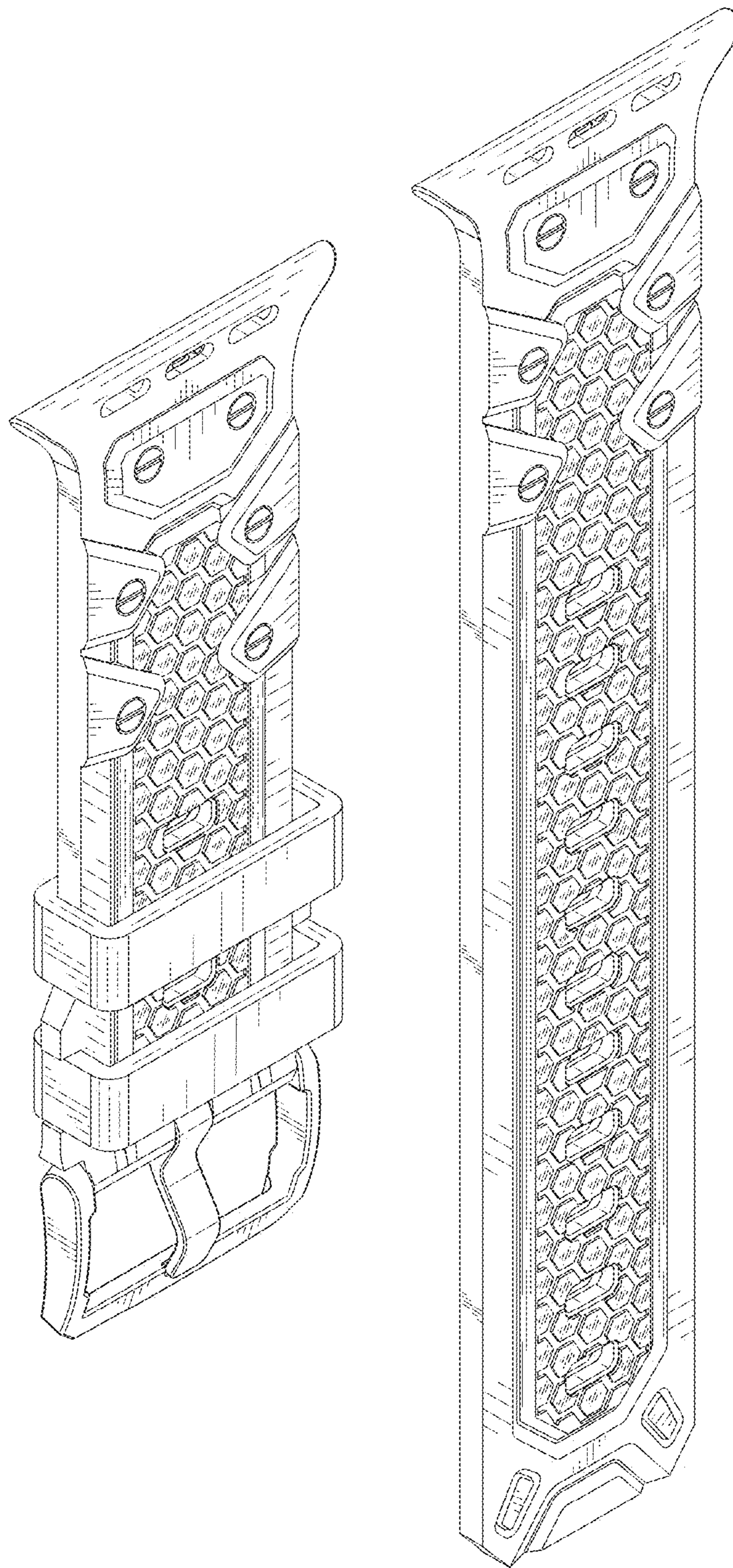


FIG. 1

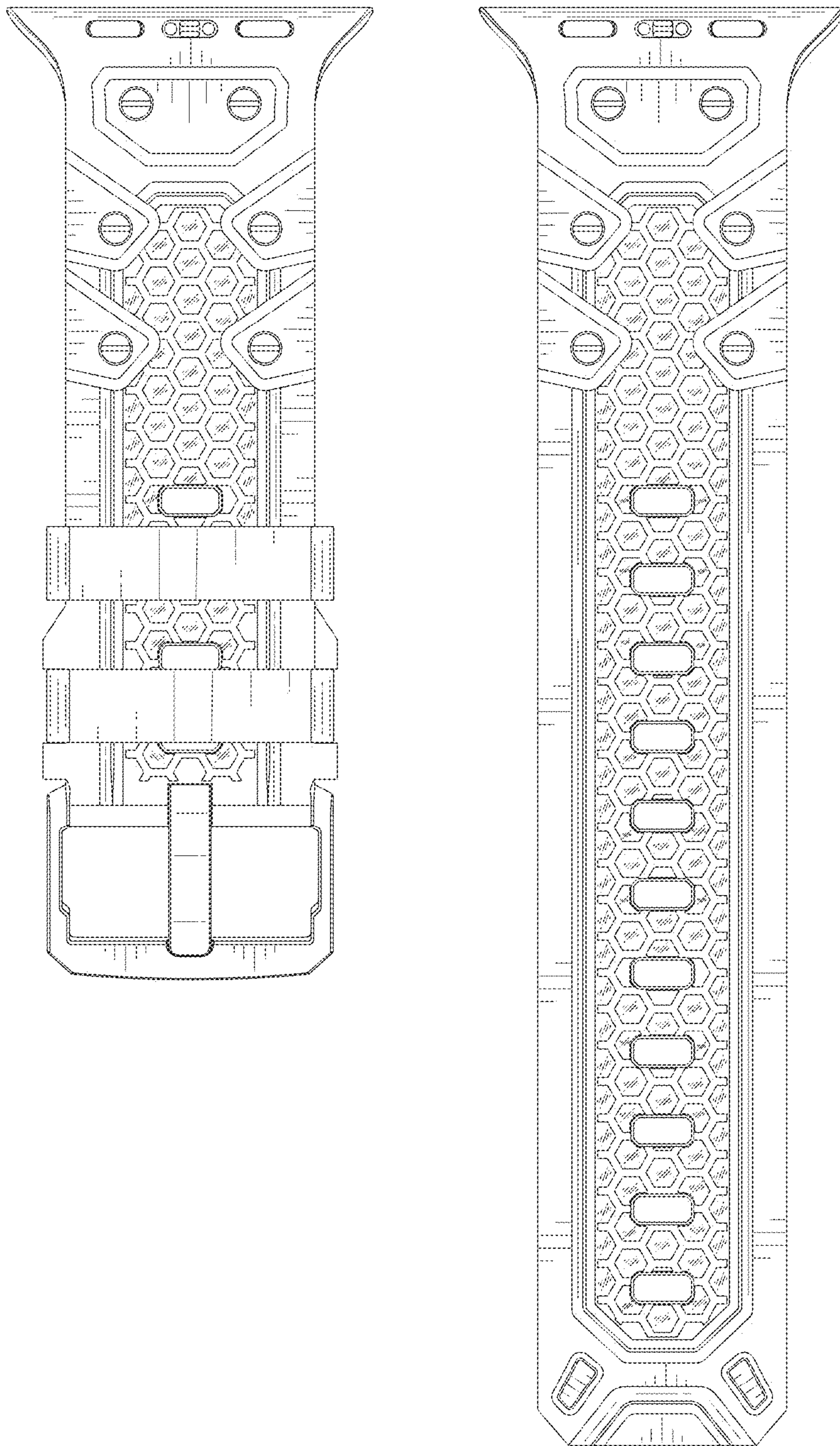


FIG. 2

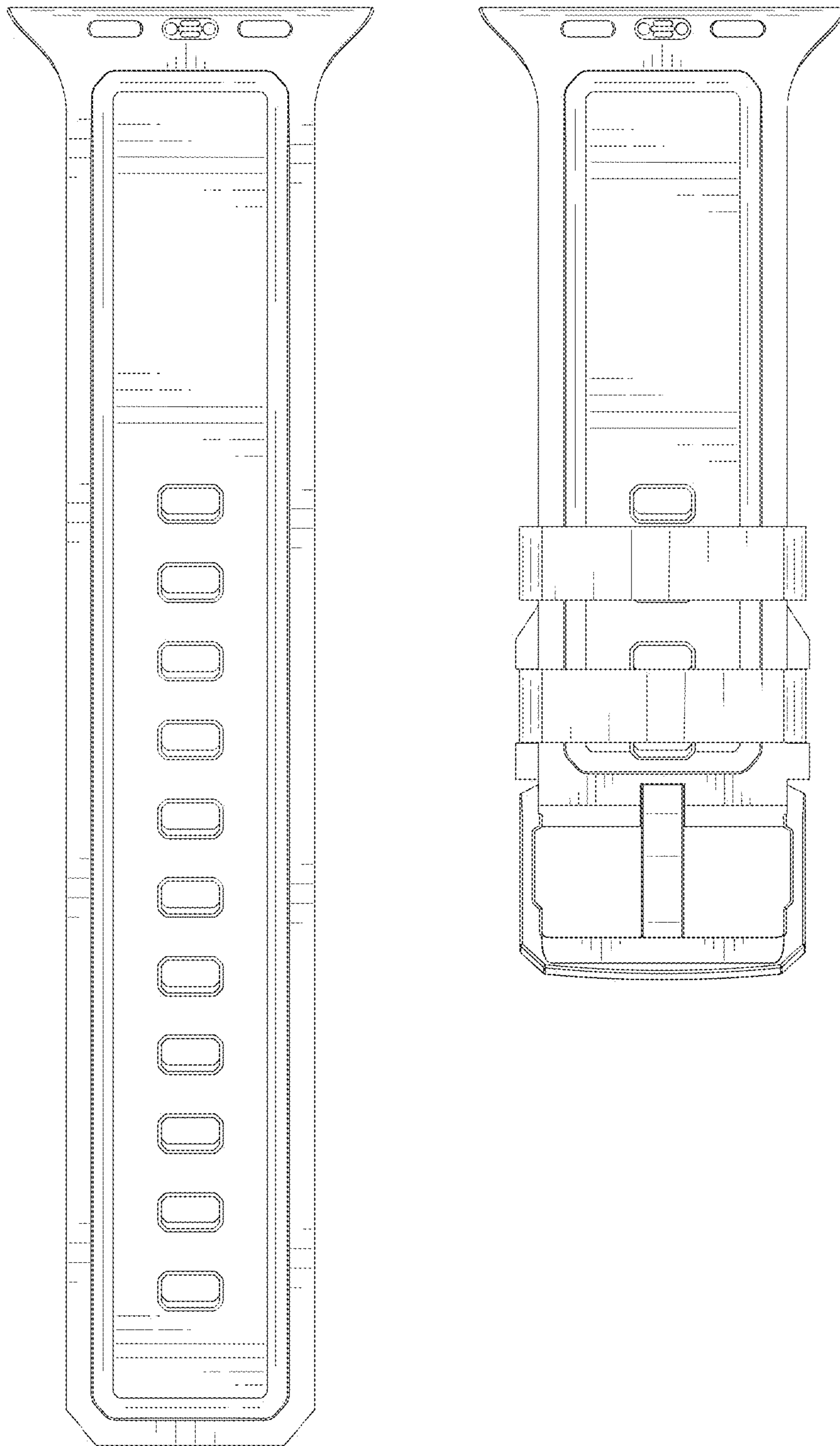


FIG. 3

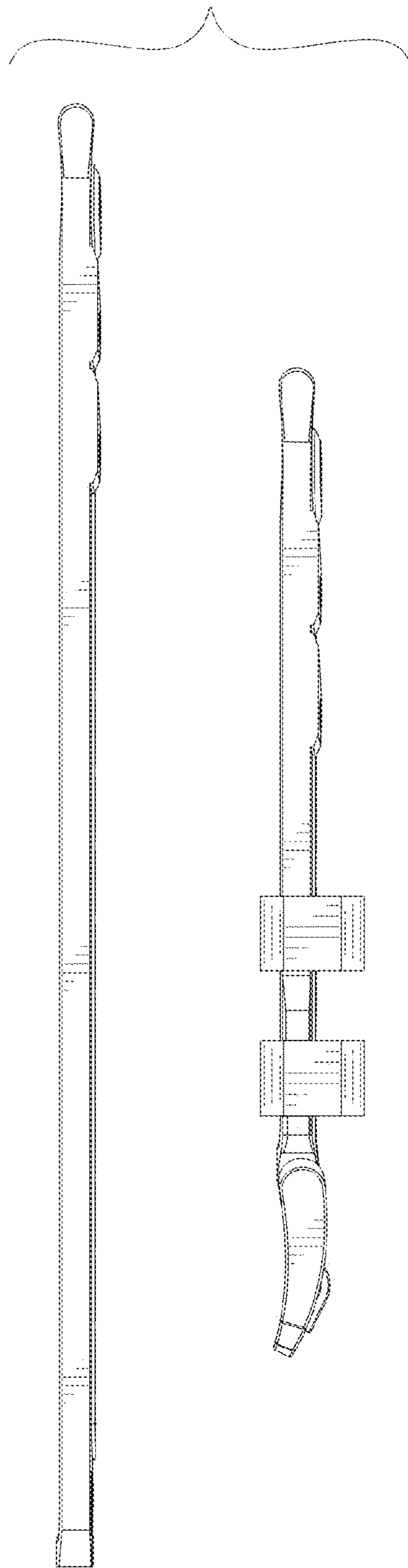


FIG. 4

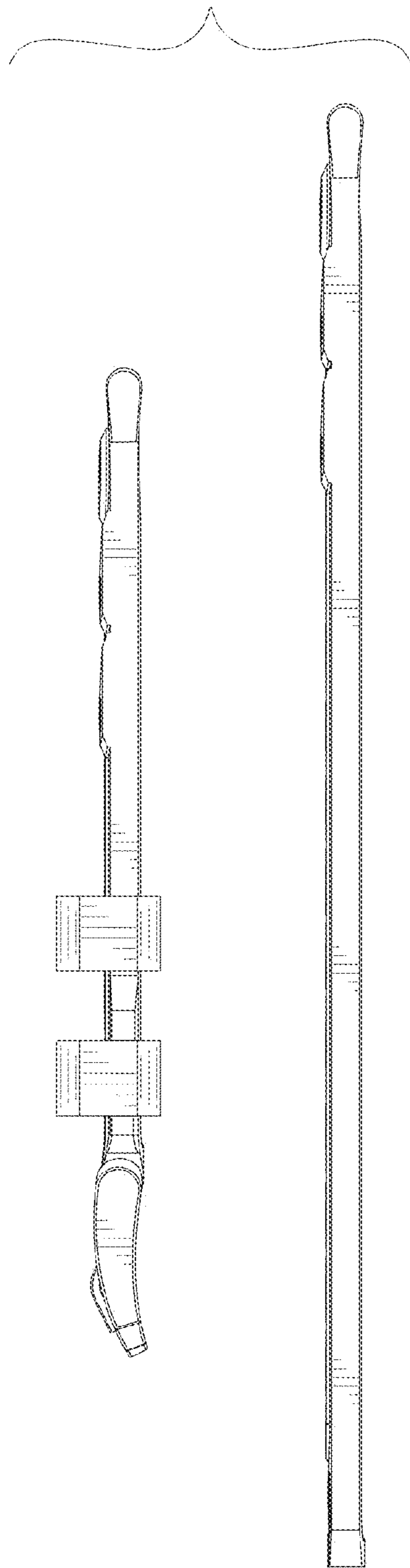


FIG. 5



FIG. 6



FIG. 7