



US00D986753S

(12) **United States Design Patent**
Douglas et al.

(10) **Patent No.:** **US D986,753 S**
(45) **Date of Patent:** **** May 23, 2023**

(54) **PET BOUNDARY TRANSMITTER**

FOREIGN PATENT DOCUMENTS

(71) Applicant: **Radio Systems Corporation,**
Knoxville, TN (US)

CA 174826 * 5/2017
CN 304232373 * 12/2016

(Continued)

(72) Inventors: **Darrell Douglas,** Knoxville, TN (US);
Jonathan L. Cornwell, Jr., Knoxville,
TN (US); **John Spangler,** Knoxville,
TN (US); **Robert A. Nytko,** Knoxville,
TN (US)

OTHER PUBLICATIONS

TPPet, Wired Electric Dog Fence, Date first available Jan. 16, 2020,
[online]retrieved Dec. 8, 2022, available from <https://www.amazon.com/DP/B083XZ5BP6> (Year: 2020).*

(Continued)

(73) Assignee: **Radio Systems Corporation,**
Knoxville, TN (US)

Primary Examiner — Keli L Hill

Assistant Examiner — Sara S Sahneh

(**) Term: **15 Years**

(74) *Attorney, Agent, or Firm* — Baker, Donelson,
Bearman, Caldwell & Berkowitz, PC

(21) Appl. No.: **29/770,875**

(57) **CLAIM**

(22) Filed: **Feb. 17, 2021**

The ornamental design for a pet boundary transmitter, as
shown and described.

(51) **LOC (14) Cl.** **10-05**

(52) **U.S. Cl.**

USPC **D10/104.1; D30/152**

(58) **Field of Classification Search**

USPC D10/104.1, 104.2; D14/358, 155, 191,
D14/192; D30/199, 144, 145, 151, 152,
D30/155

CPC .. A01K 27/005; A01K 27/009; A01K 15/021;
A01K 15/023; G01S 13/882; G01S
5/0295; H04W 4/021; H04W 4/33

See application file for complete search history.

DESCRIPTION

FIG. 1 is a perspective view of a pet boundary transmitter,
under a first embodiment.

FIG. 2 is a top view thereof.

FIG. 3 is a bottom view thereof.

FIG. 4 is a front view thereof.

FIG. 5 is a rear view thereof.

FIG. 6 is a left view thereof.

FIG. 7 is a right view thereof.

FIG. 8 is a perspective view of a pet boundary transmitter,
under a second embodiment.

FIG. 9 is a top view thereof.

FIG. 10 is a bottom view thereof.

FIG. 11 is a front view thereof.

FIG. 12 is a rear view thereof.

FIG. 13 is a left view thereof; and,

FIG. 14 is a right view thereof.

The broken lines illustrate portions of the pet boundary
transmitter that form no part of the claimed design.

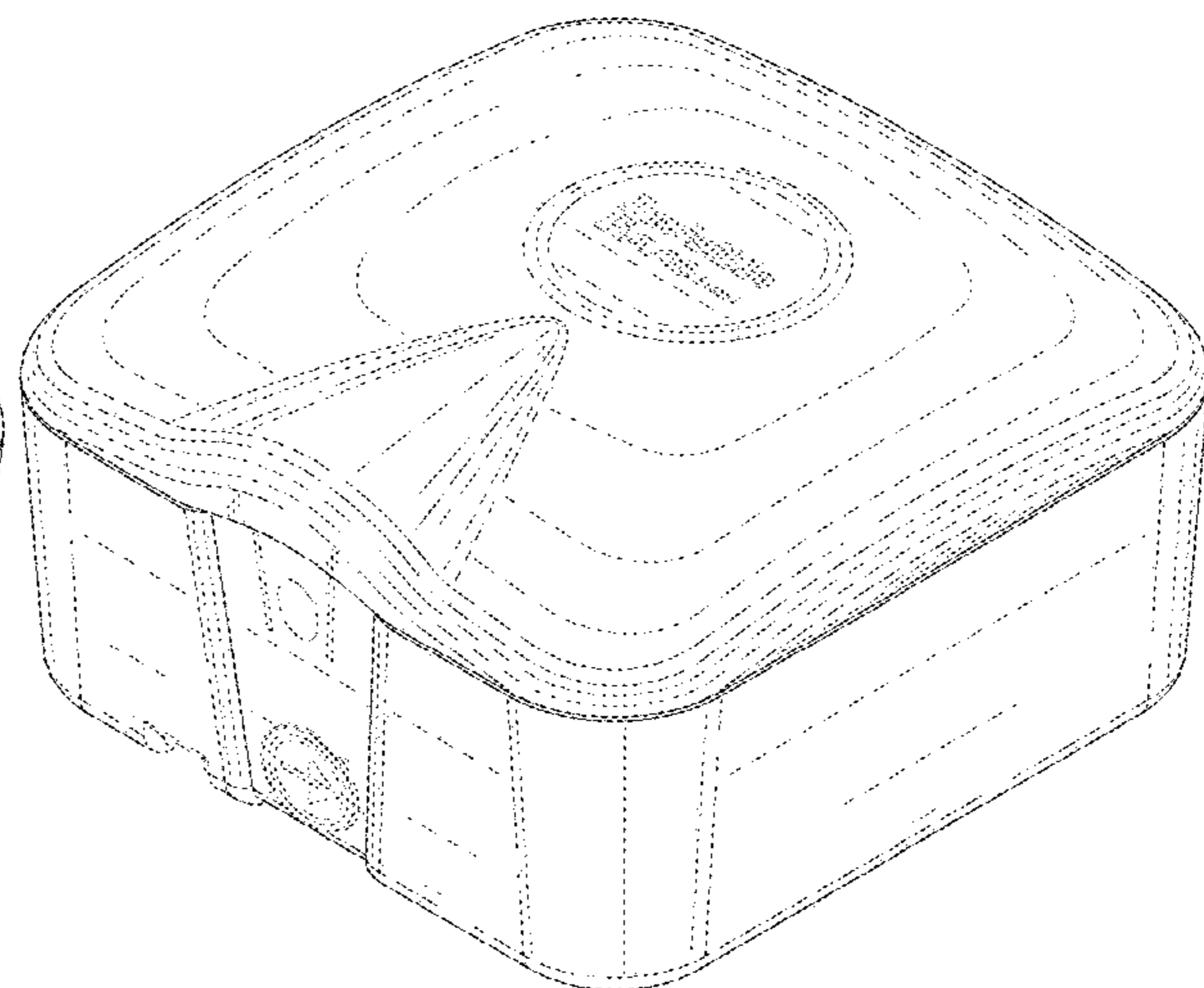
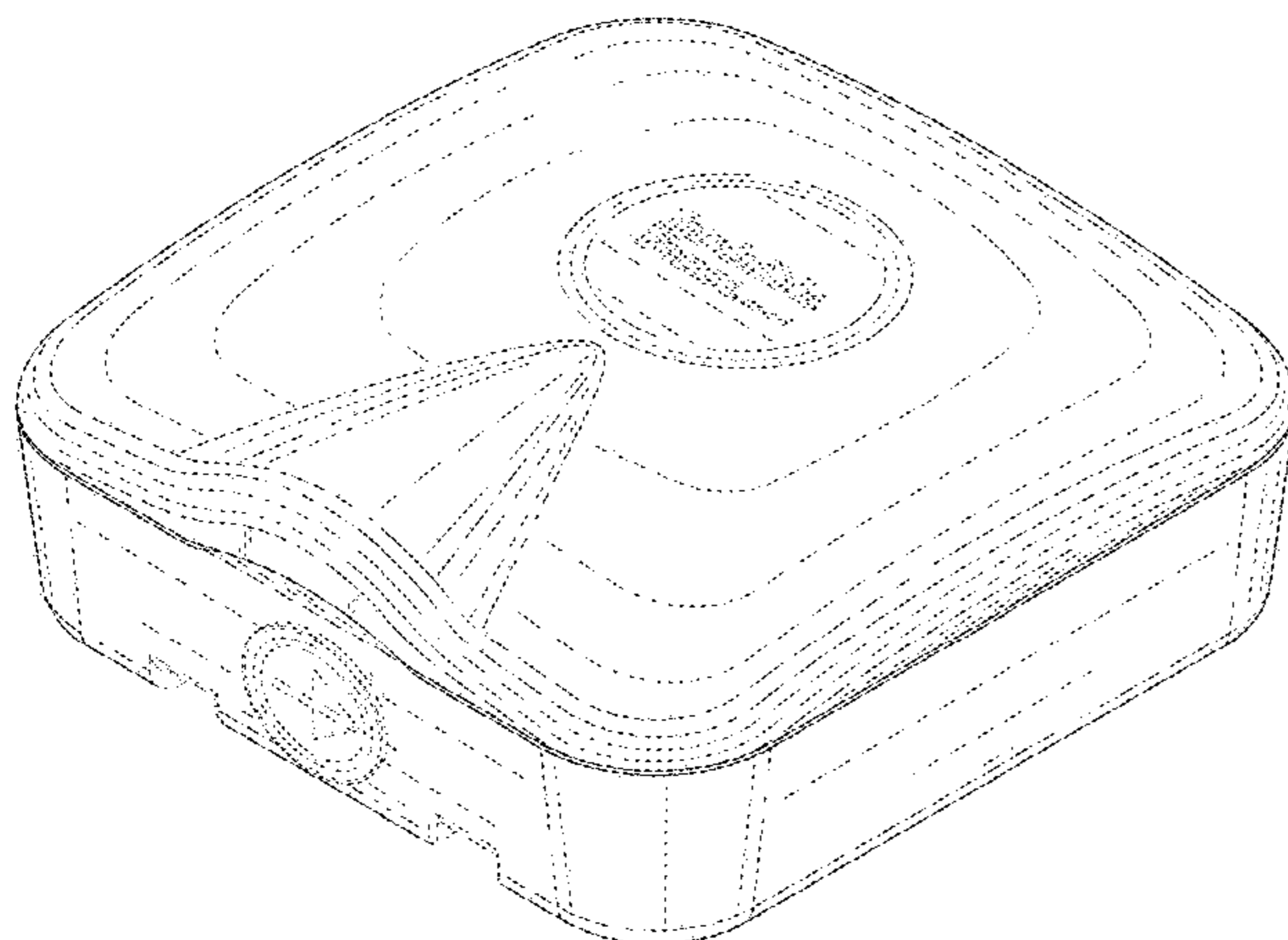
(56) **References Cited**

U.S. PATENT DOCUMENTS

D816,918 S * 5/2018 Li D30/152
D829,120 S * 9/2018 Mitchell D10/104.1
D884,994 S * 5/2020 Ni D10/104.1
D899,012 S * 10/2020 Zinn D30/152
D919,201 S * 5/2021 Wang D10/104.1
D926,396 S * 7/2021 Jia D10/104.1

(Continued)

1 Claim, 10 Drawing Sheets



(56)

References Cited

U.S. PATENT DOCUMENTS

D945,721 S * 3/2022 Luo D10/104.1
D950,170 S * 4/2022 Li D10/104.1
D964,667 S * 9/2022 Mo D10/104.1
D966,633 S * 10/2022 Jia D10/104.1
D972,236 S * 12/2022 Liang D10/104.1
2007/0209604 A1* 9/2007 Groh A01K 15/021
119/858
2022/0151207 A1* 5/2022 Mott A01K 27/009

FOREIGN PATENT DOCUMENTS

CN 305196197 * 9/2018
CN 306503181 * 9/2020
CN 307029843 * 5/2021
CN 307638562 * 7/2022
EM 004239440-0002 * 9/2017

OTHER PUBLICATIONS

PetSafe Store,Rechargeable In-Ground Pet Fence,Date first available Mar. 29, 2013,[online]retrieved Dec. 8, 2022,available from <https://www.amazon.com/DP/B01FBC3LFC> (Year: 2013).*

Dog Care Store,Dog Training Collar with Remote,Date first available May 18, 2021, [online]retrieved Dec. 8, 2022,available from <https://www.amazon.com/DP/B08ZCSF55T> (Year: 2021).*

Free Spirit Store,Dog Bark Collar, Date first available Jul. 15, 2017, [online]retrieved Dec. 8, 2022,available from <https://www.amazon.com/DP/B073SS13L5> (Year: 2017).*

* cited by examiner

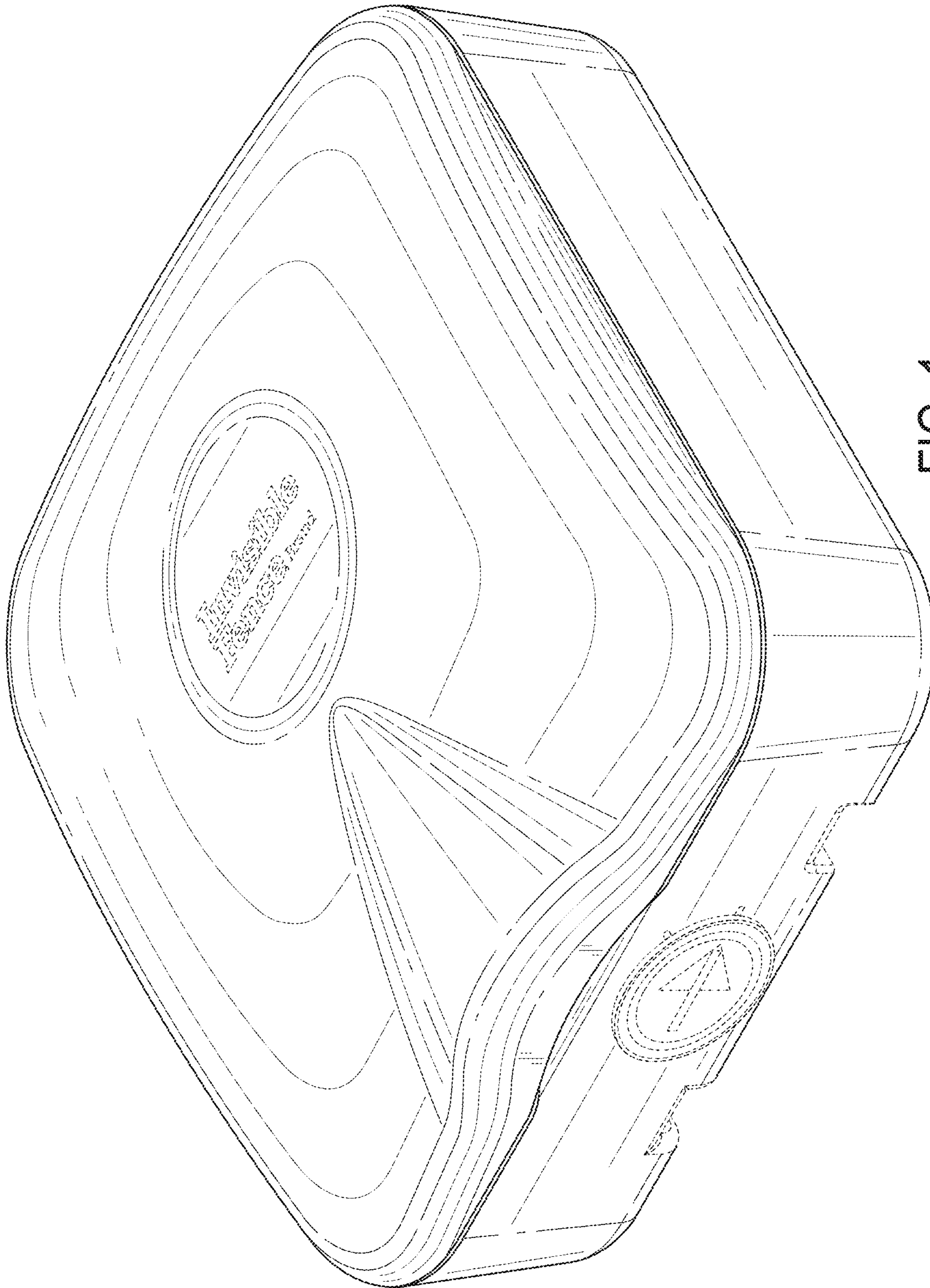


FIG. 1

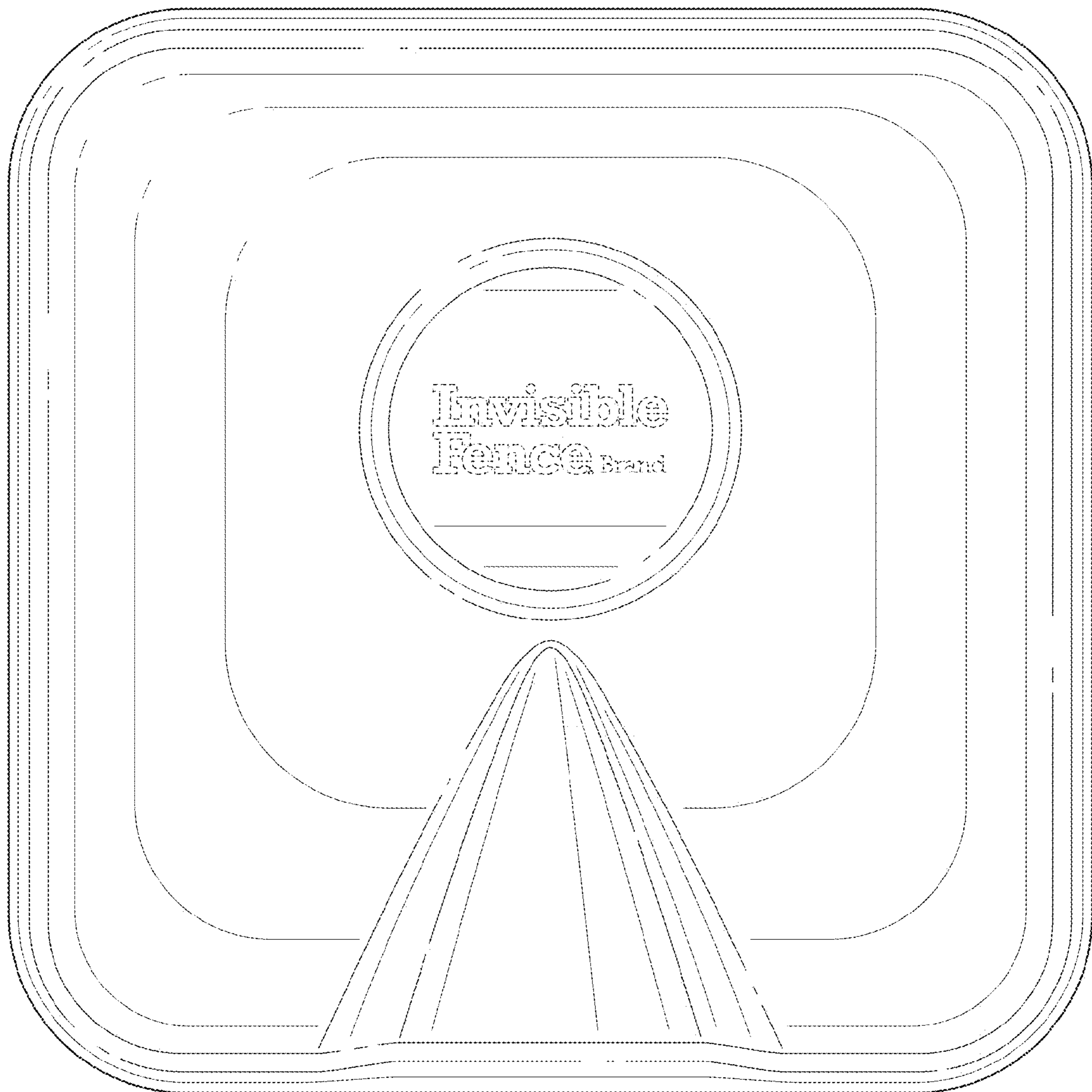


FIG. 2

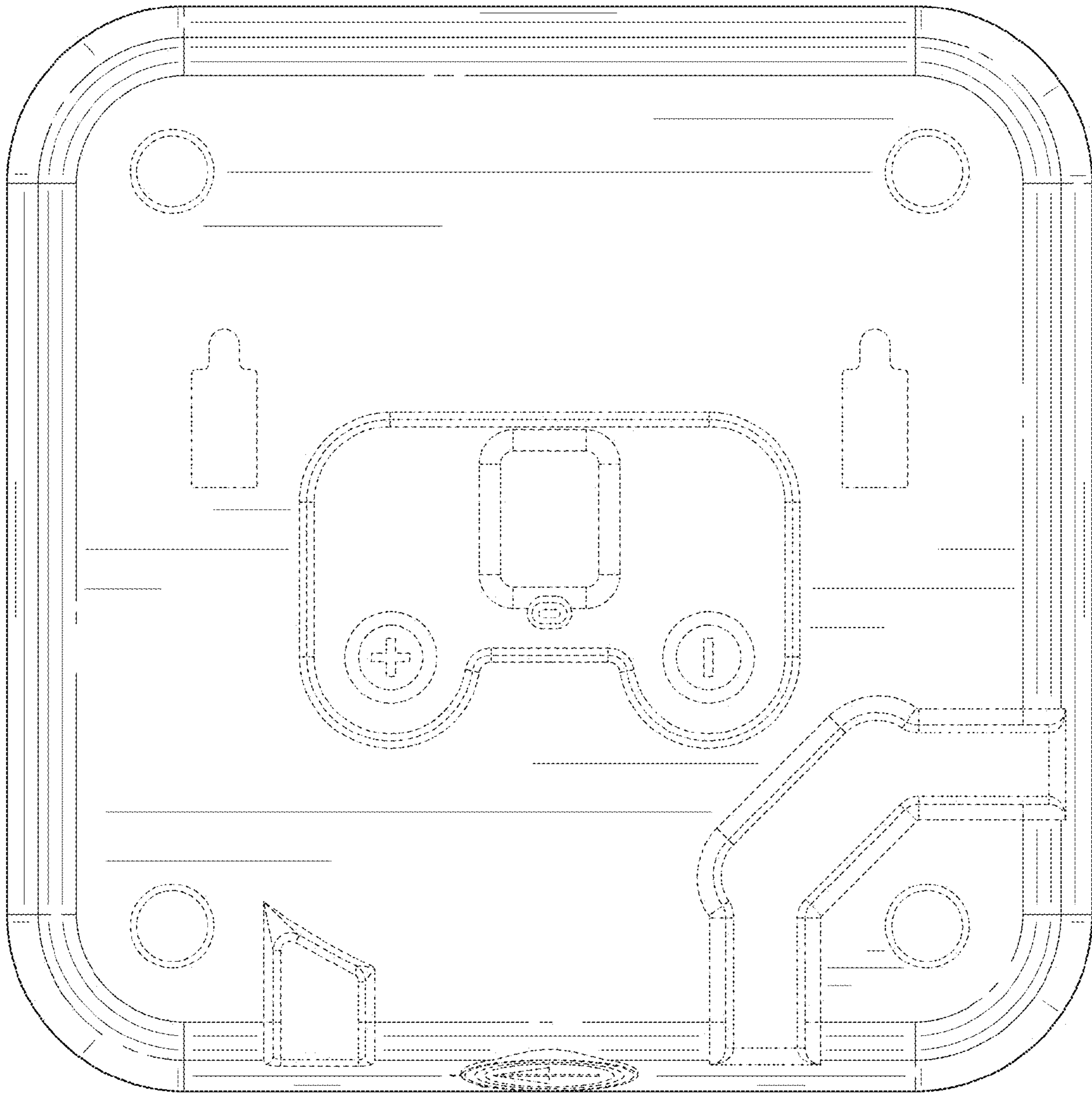


FIG. 3

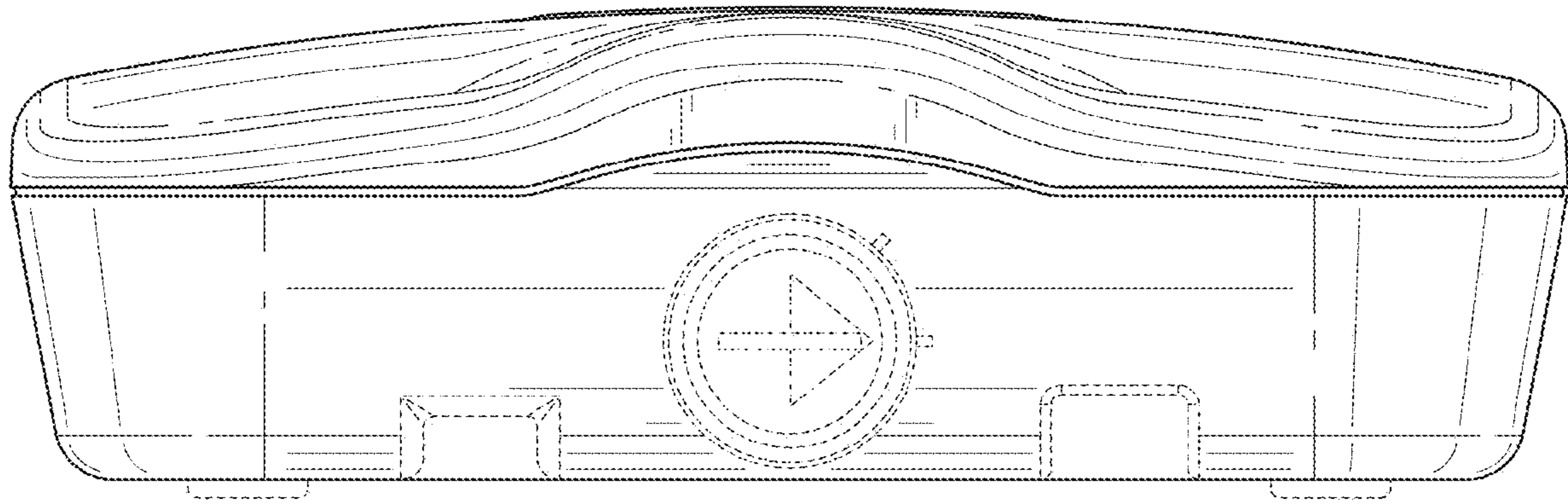


FIG. 4

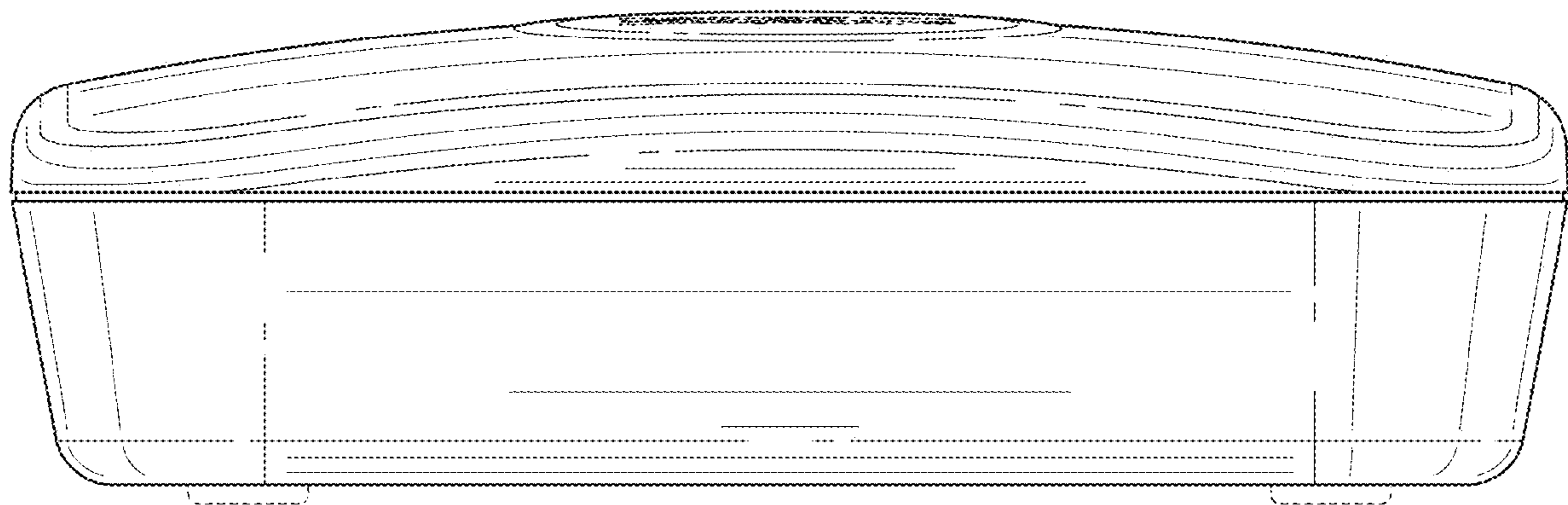


FIG. 5

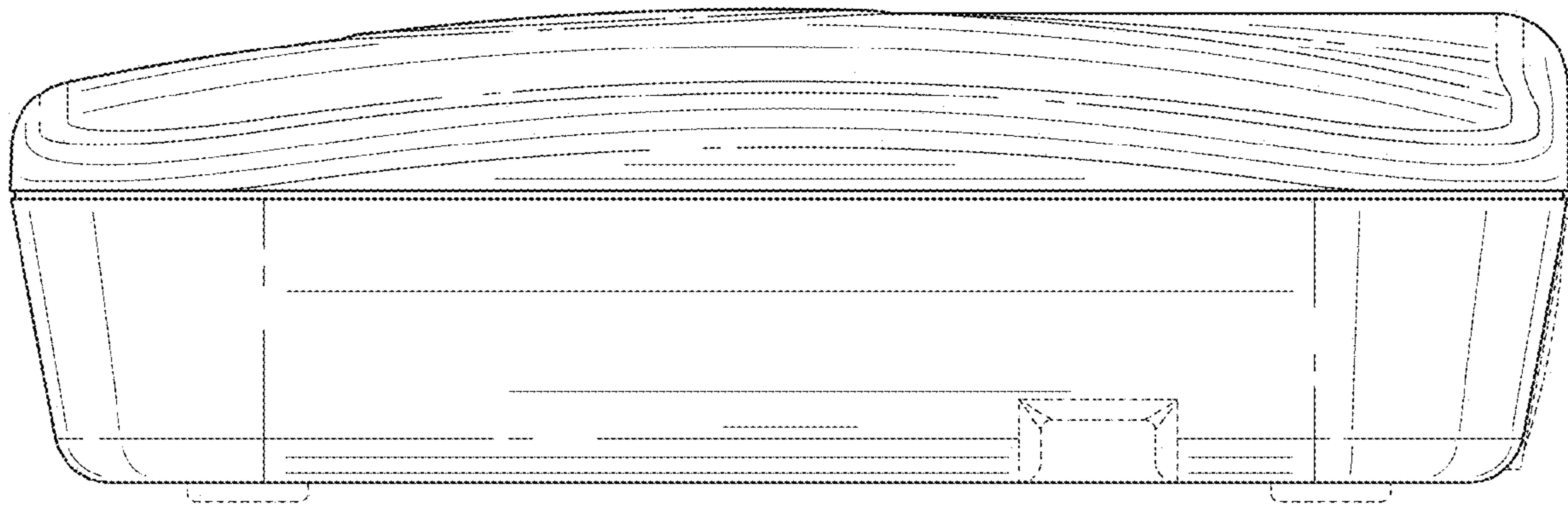


FIG. 6

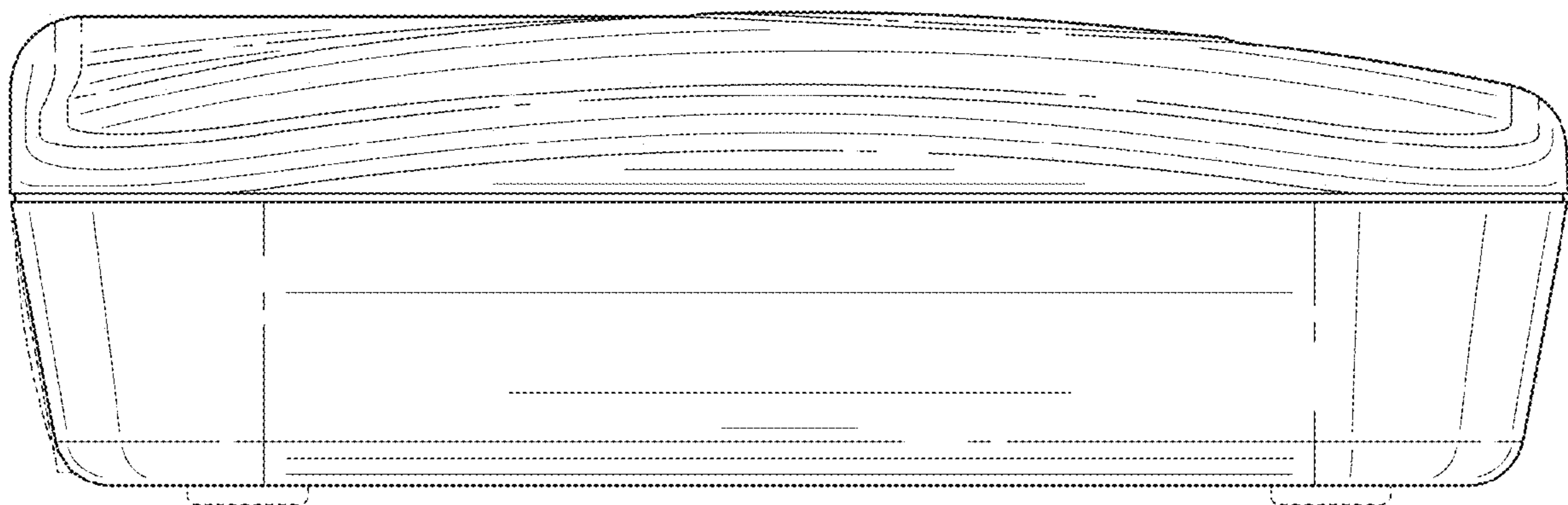


FIG. 7

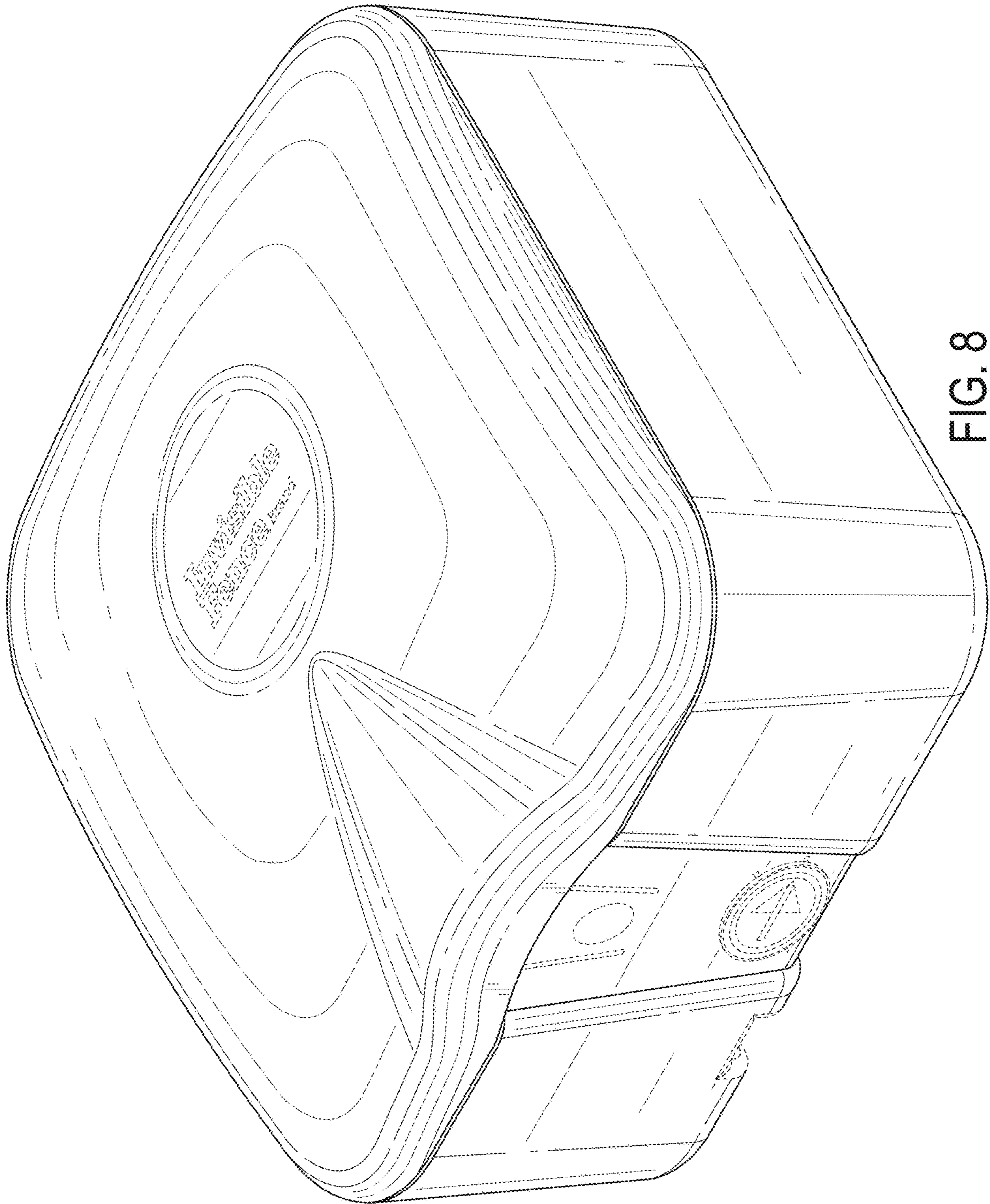


FIG. 8

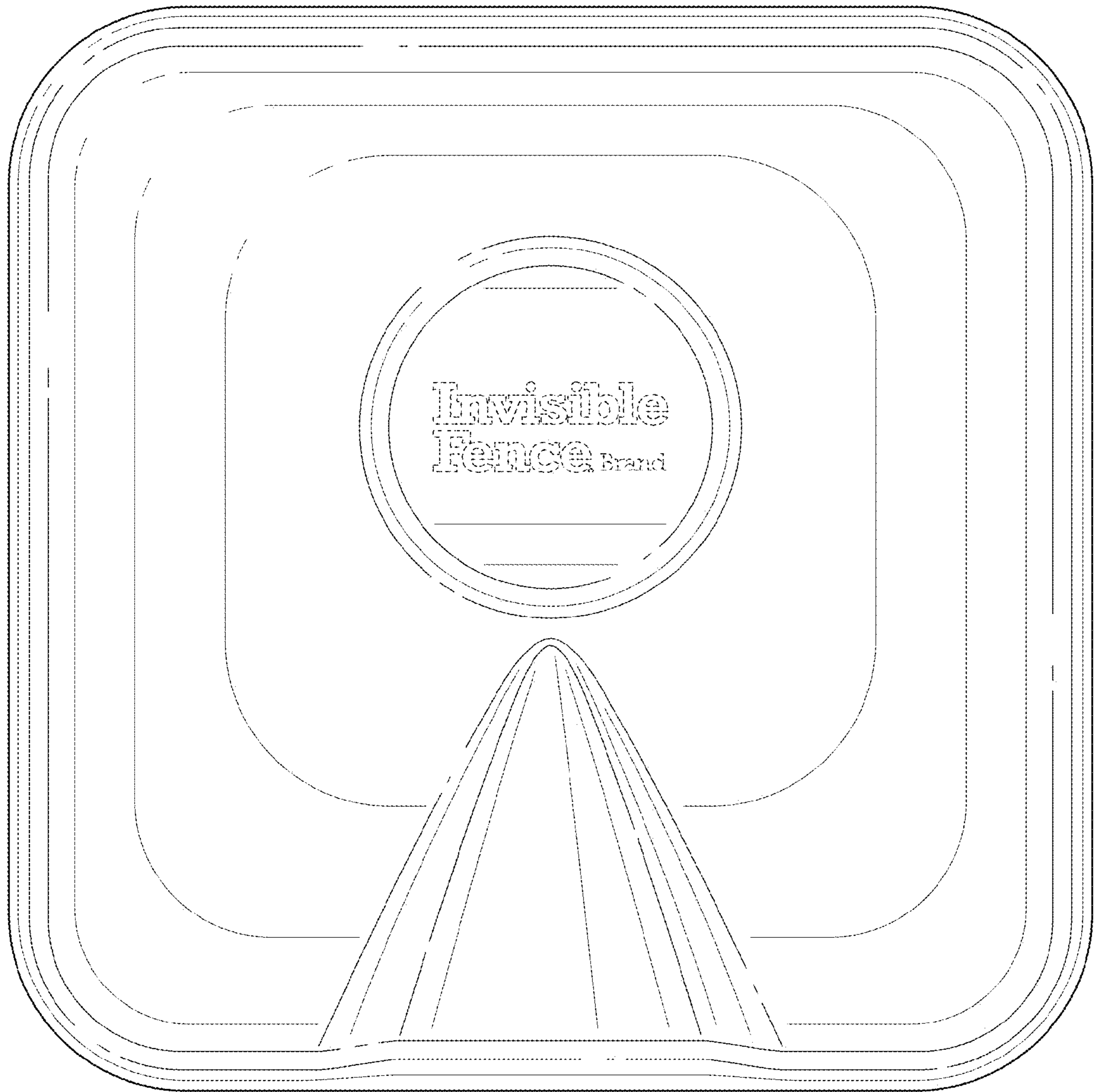


FIG. 9

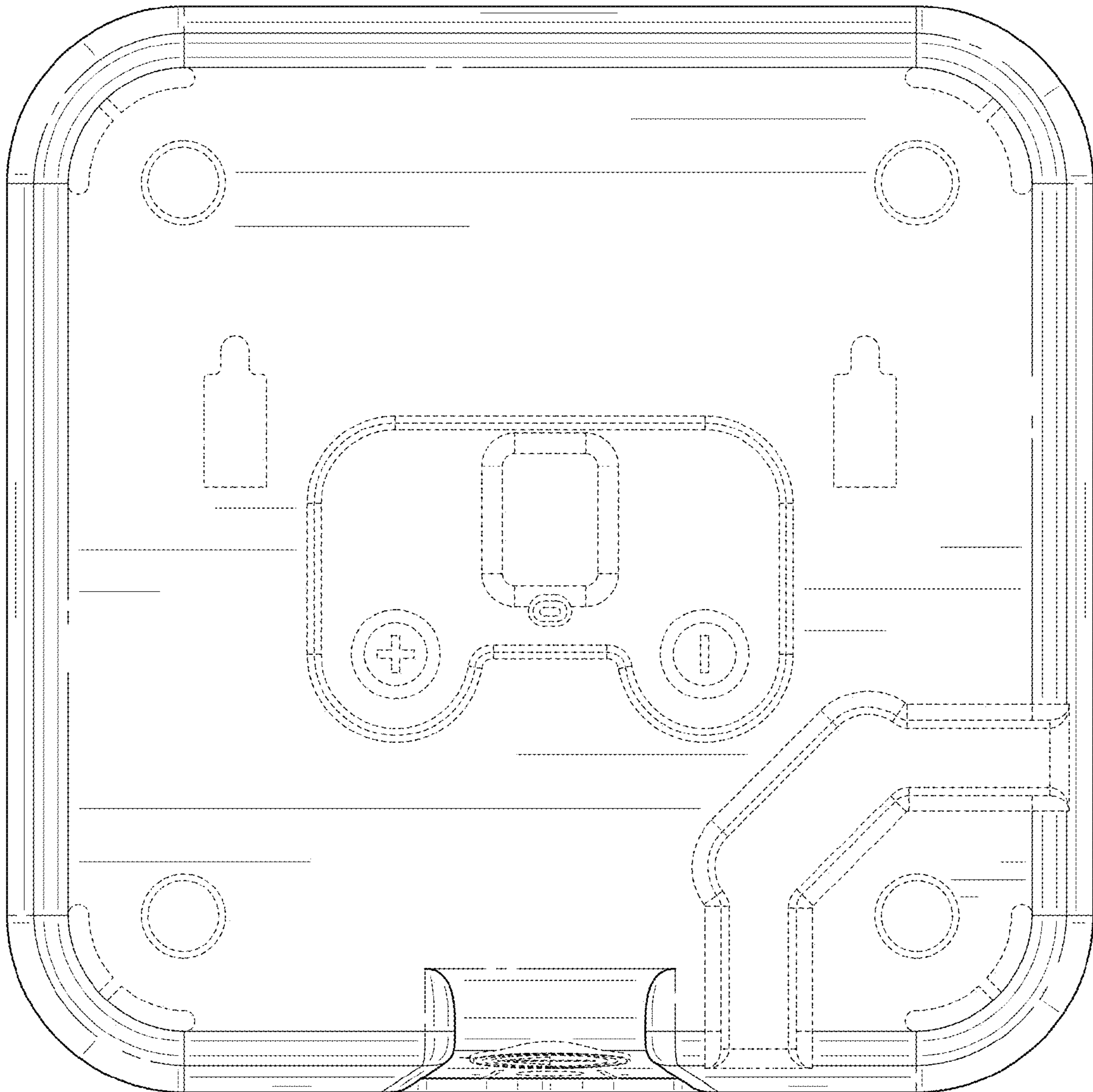


FIG. 10

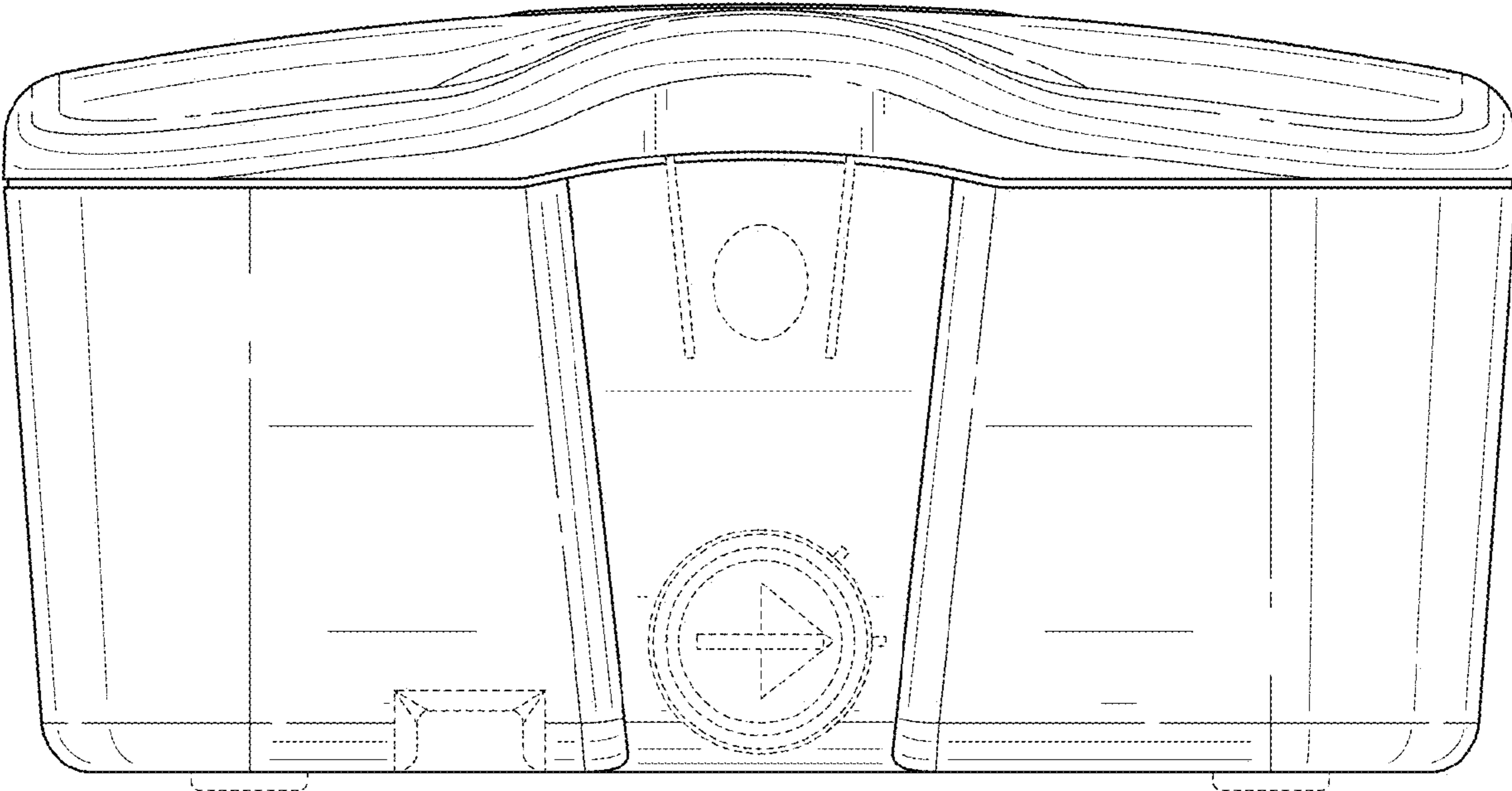


FIG. 11

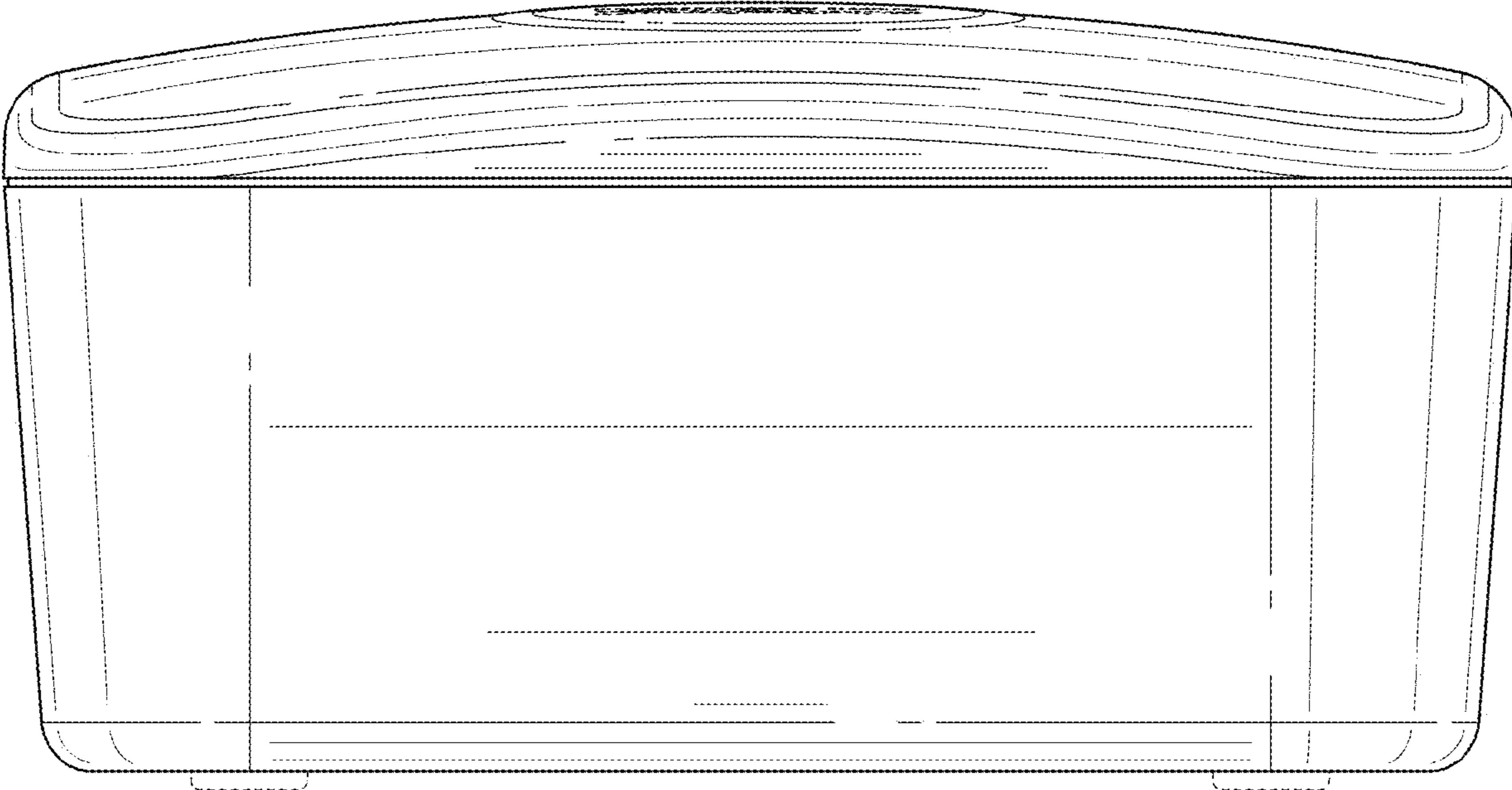


FIG. 12

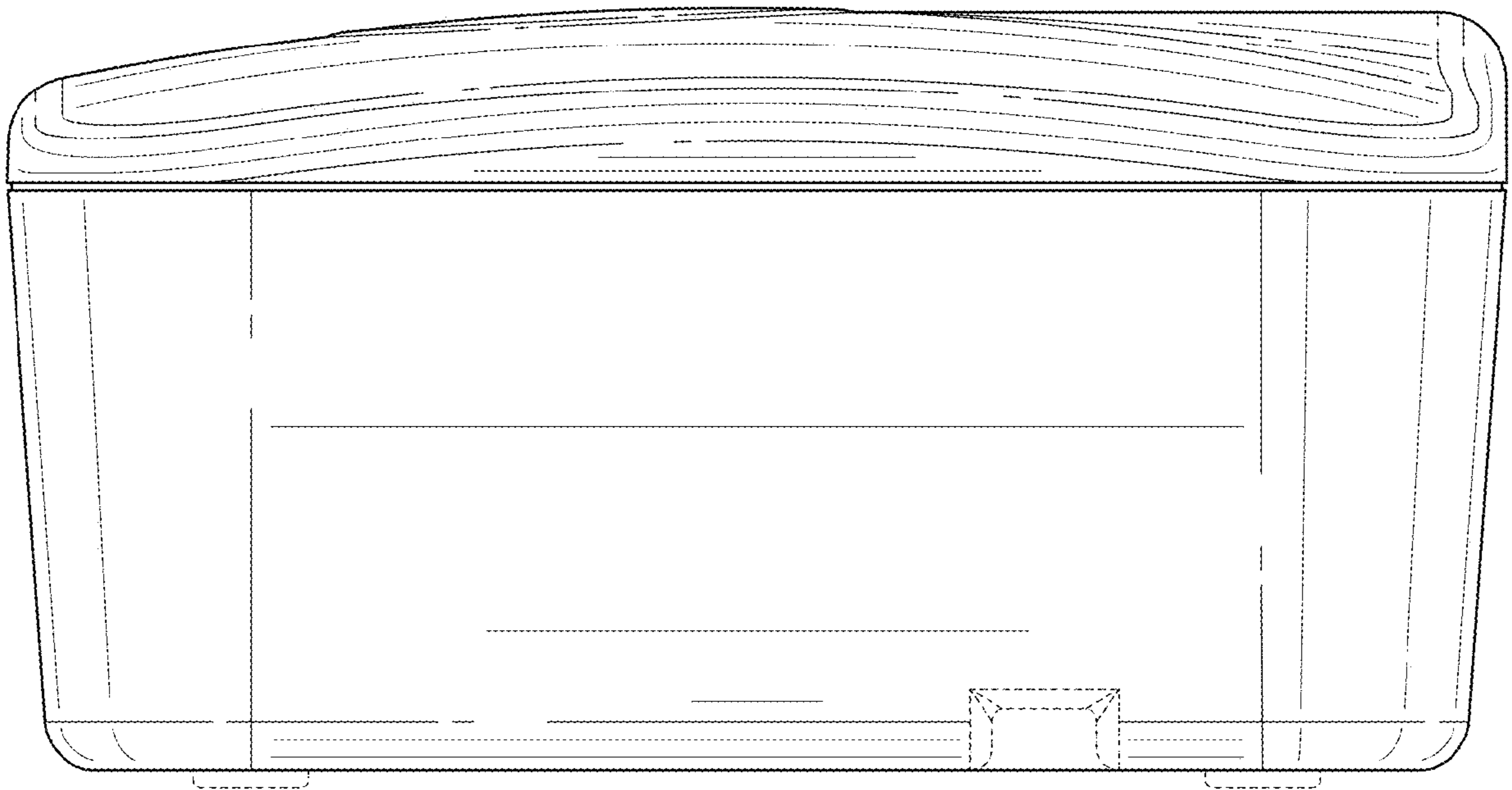


FIG. 13

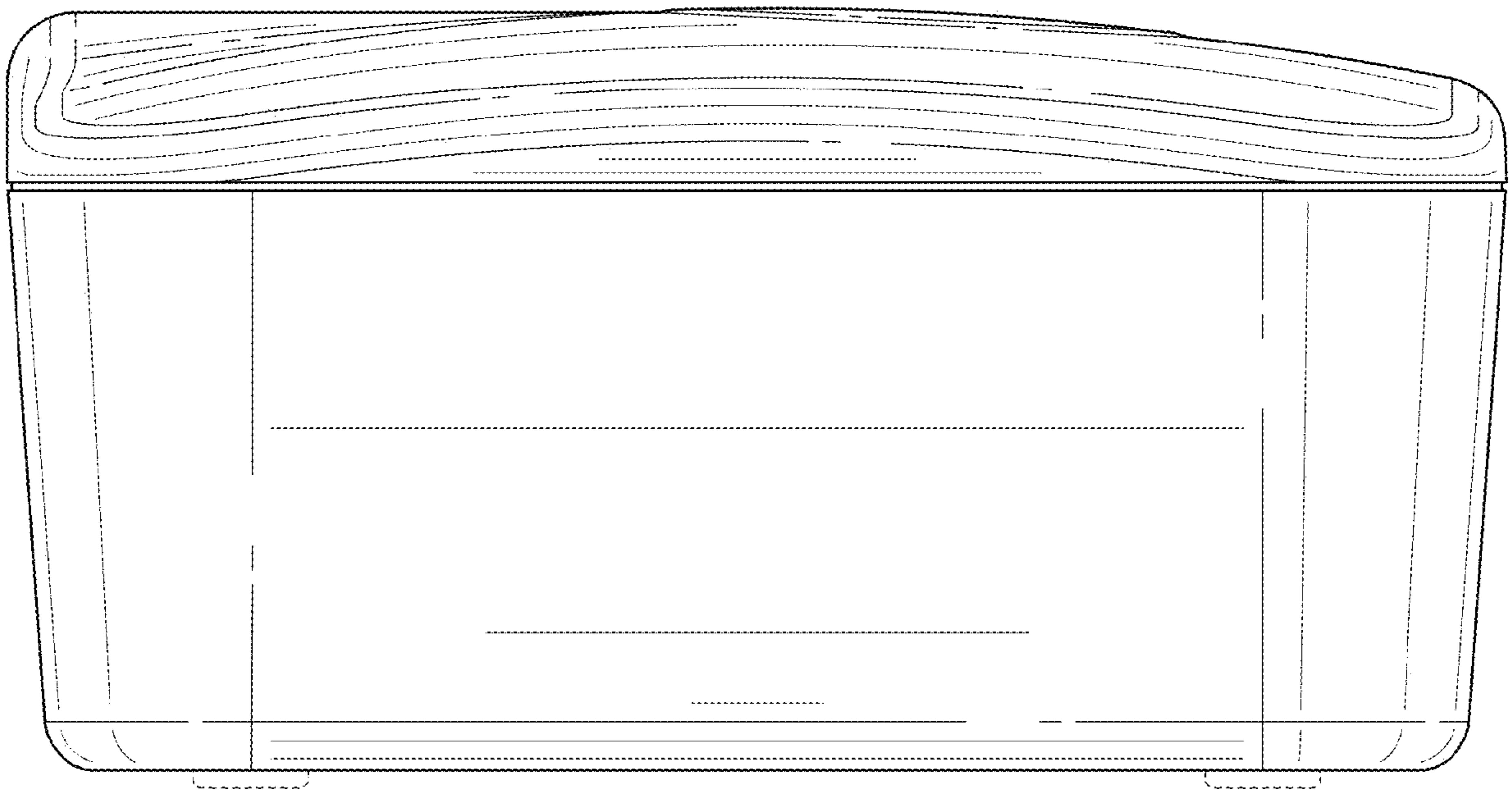


FIG. 14