



US00D986750S

(12) **United States Design Patent**
Qin

(10) **Patent No.:** **US D986,750 S**

(45) **Date of Patent:** **** May 23, 2023**

(54) **METAL DETECTOR ARM SUPPORT**

(71) Applicant: **SHANGHAI 21ST CENTURY ELECTRONIC EQUIPMENT CO., LTD.**, Shanghai (CN)

(72) Inventor: **Xiaolin Qin**, Shanghai (CN)

(73) Assignee: **SHANGHAI 21ST CENTURY ELECTRONIC EQUIPMENT CO., LTD.**, Shanghai (CN)

(**) Term: **15 Years**

(21) Appl. No.: **29/810,923**

(22) Filed: **Oct. 9, 2021**

(51) **LOC (14) Cl.** **10-04**

(52) **U.S. Cl.**
USPC **D10/103**

(58) **Field of Classification Search**
USPC D10/46, 47, 75, 103
CPC G01V 5/0008; G01V 7/00; G01V 8/00;
G01V 9/00; G01V 11/00
See application file for complete search history.

(56) **References Cited**

U.S. PATENT DOCUMENTS

D533,792 S	*	12/2006	Johnson	D10/47
D844,463 S	*	4/2019	Zhang	D10/47
D881,034 S	*	4/2020	Zhang	D10/47
D885,206 S	*	5/2020	Deng	D10/47
D885,939 S	*	6/2020	Deng	D10/47
D927,994 S	*	8/2021	Deng	D10/47
D927,995 S	*	8/2021	Deng	D10/47

D967,719 S	*	10/2022	Tran	D10/47
D971,749 S	*	12/2022	Deng	D10/47
D971,750 S	*	12/2022	Deng	D10/47
D974,190 S	*	1/2023	Deng	D10/47

* cited by examiner

Primary Examiner — George D. Kirschbaum

Assistant Examiner — Lillian Windham

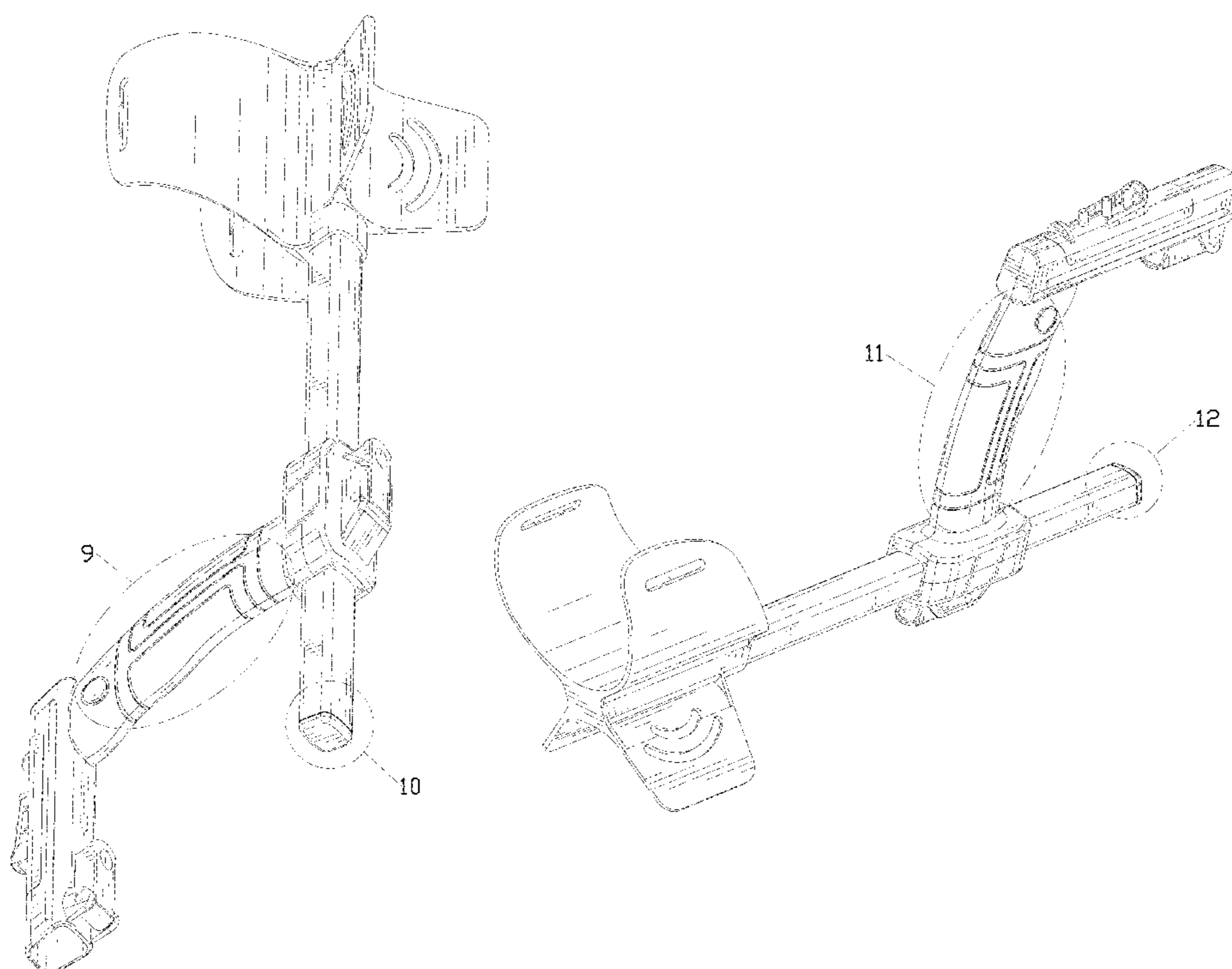
(57) **CLAIM**

The ornamental design for a metal detector arm support, as shown and described.

DESCRIPTION

FIG. 1 is a front perspective view of a metal detector arm support showing my new design;
 FIG. 2 is a rear perspective view thereof;
 FIG. 3 is a front elevational view thereof;
 FIG. 4 is a rear elevational view thereof;
 FIG. 5 is a left side elevational view thereof;
 FIG. 6 is a right side elevational view thereof;
 FIG. 7 is a top plan view thereof;
 FIG. 8 is a bottom plan view thereof;
 FIG. 9 is an enlarged view of portion 9 shown in FIG. 1;
 FIG. 10 is an enlarged view of portion 10 shown in FIG. 1;
 FIG. 11 is an enlarged view of portion 11 shown in FIG. 2;
 FIG. 12 is an enlarged view of portion 12 shown in FIG. 2;
 and,
 FIG. 13 is an enlarged view of portion 13 shown in FIG. 3.
 The broken lines in the drawings depict portions of the metal detector arm support that form no part of the claimed design.

1 Claim, 13 Drawing Sheets



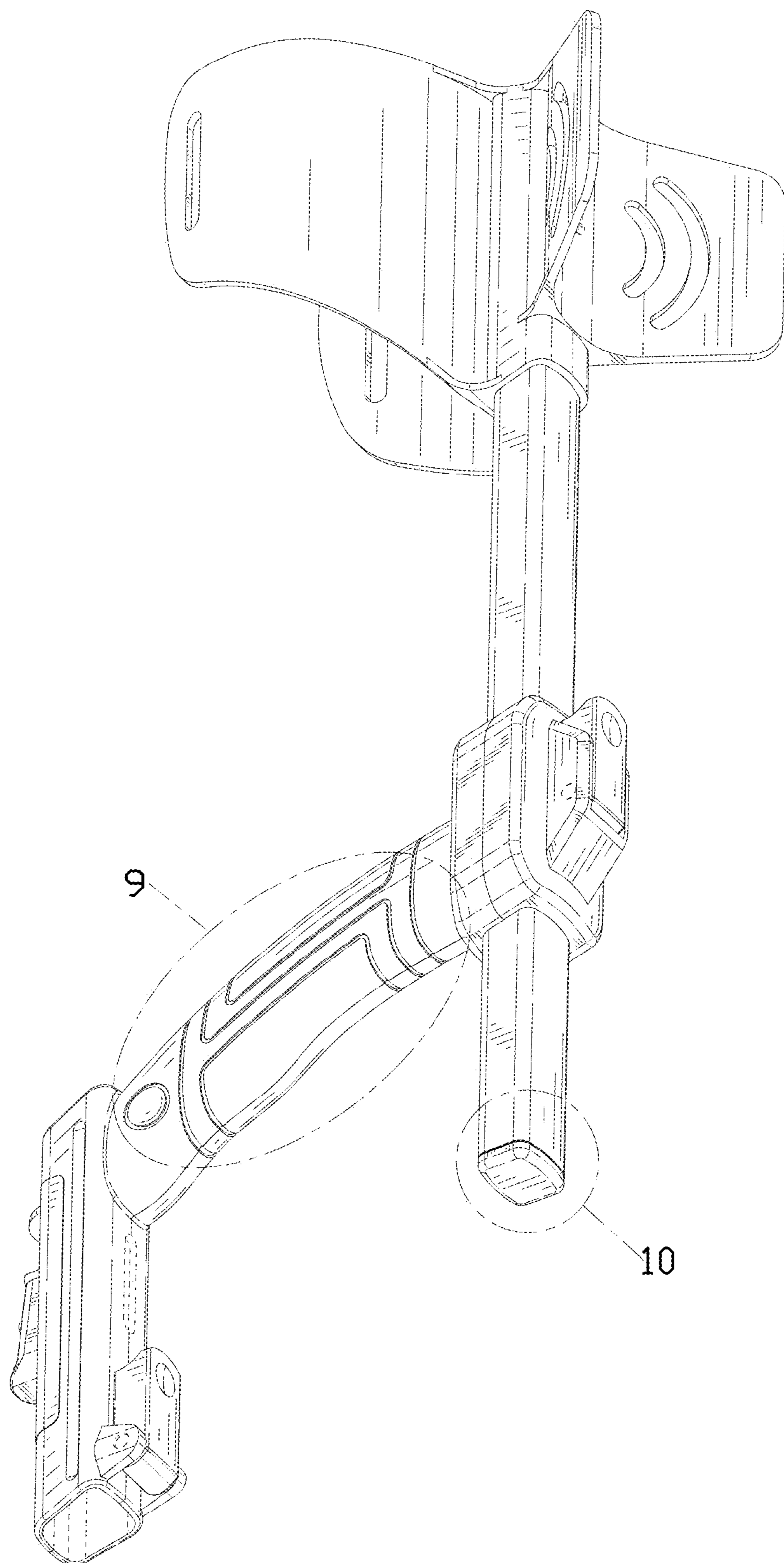


FIG. 1

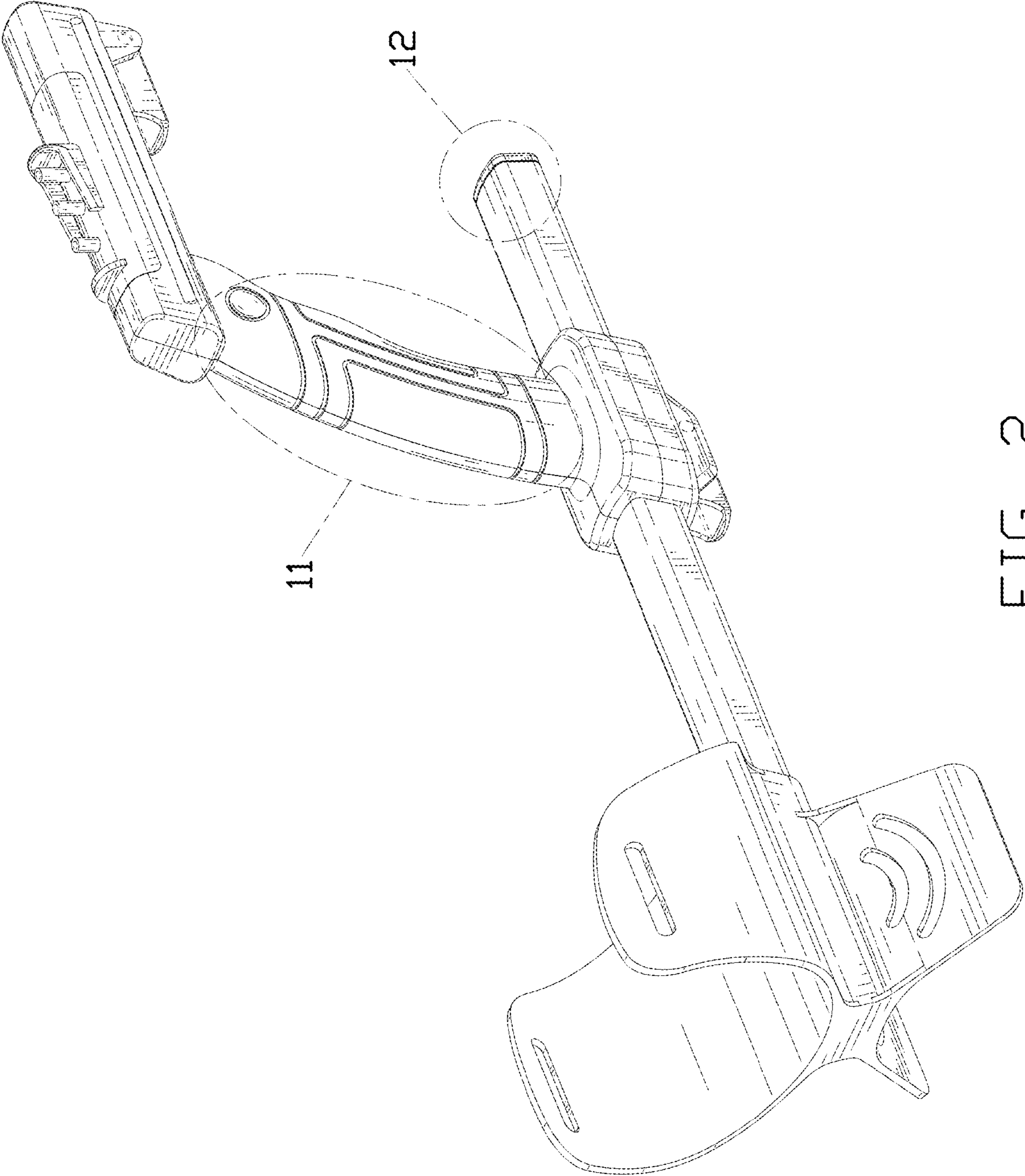


FIG. 2

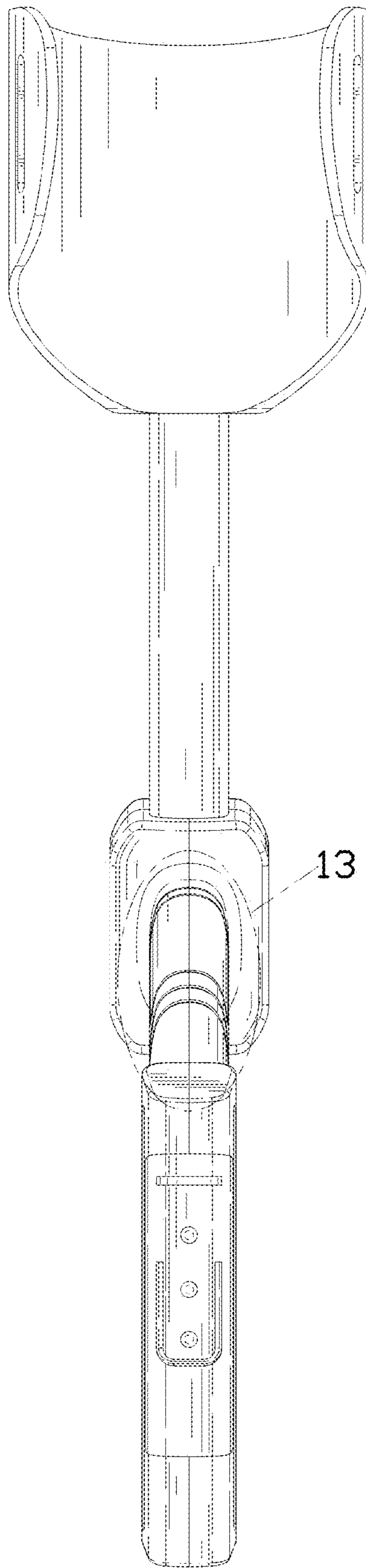


FIG. 3

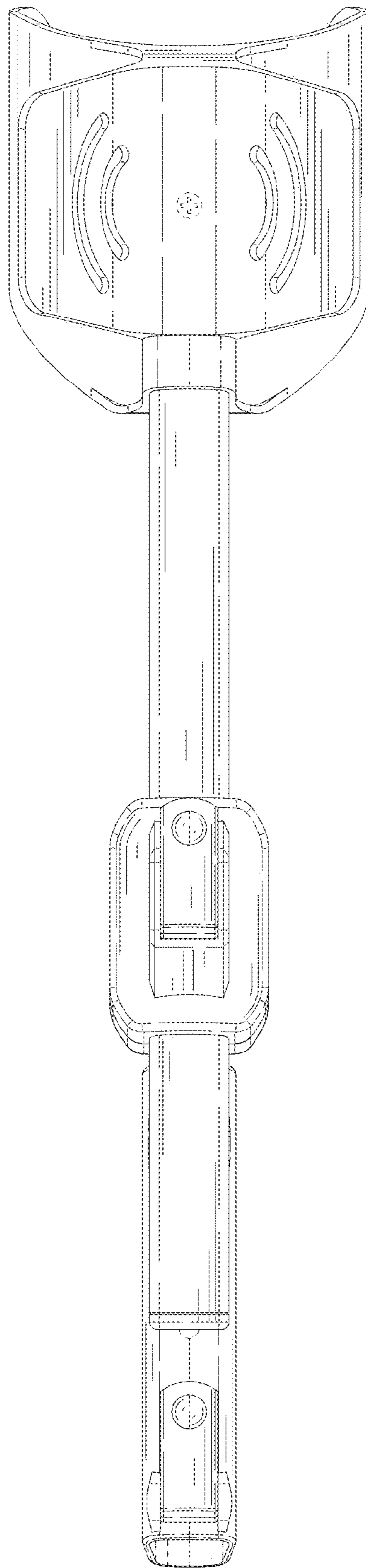


FIG. 4

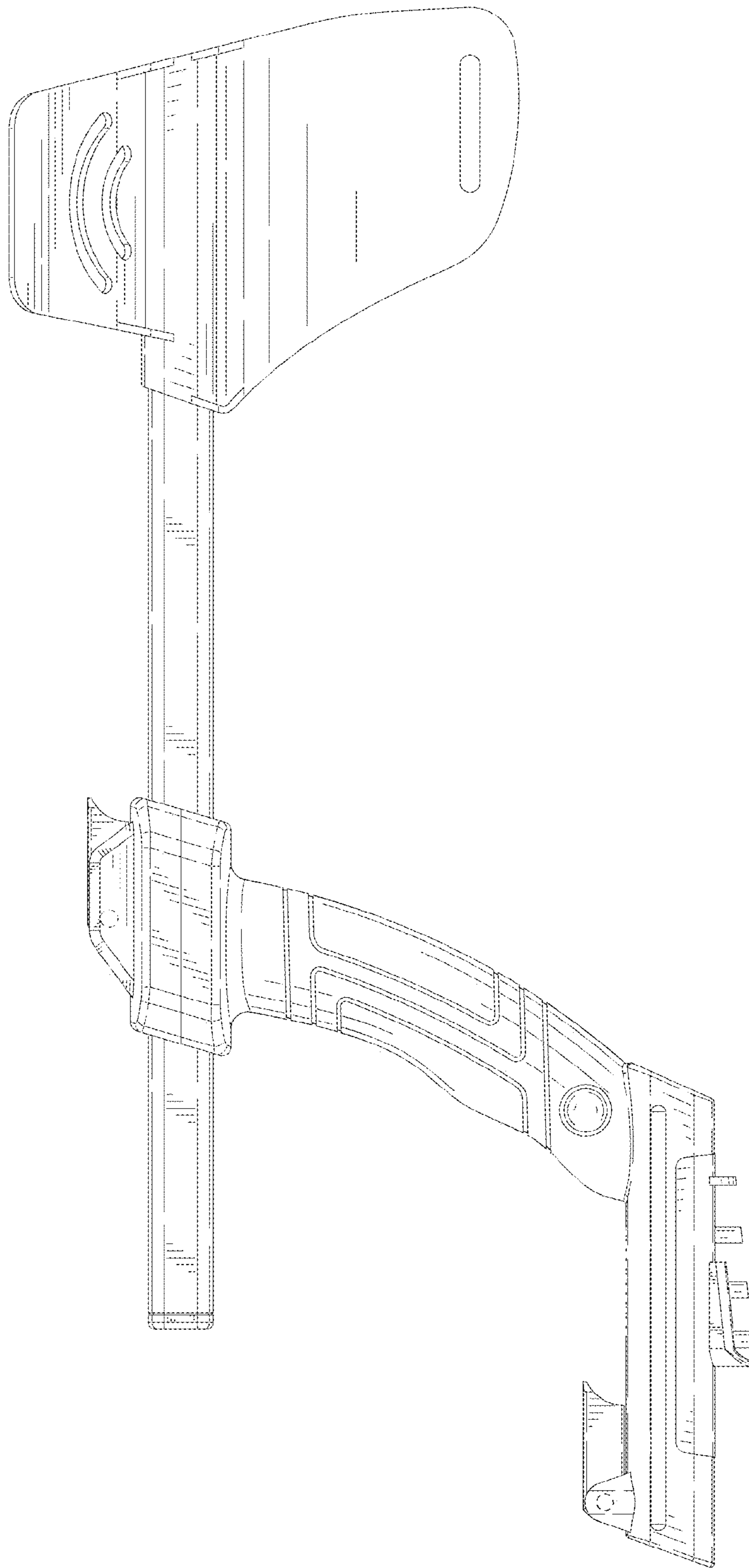


FIG. 5

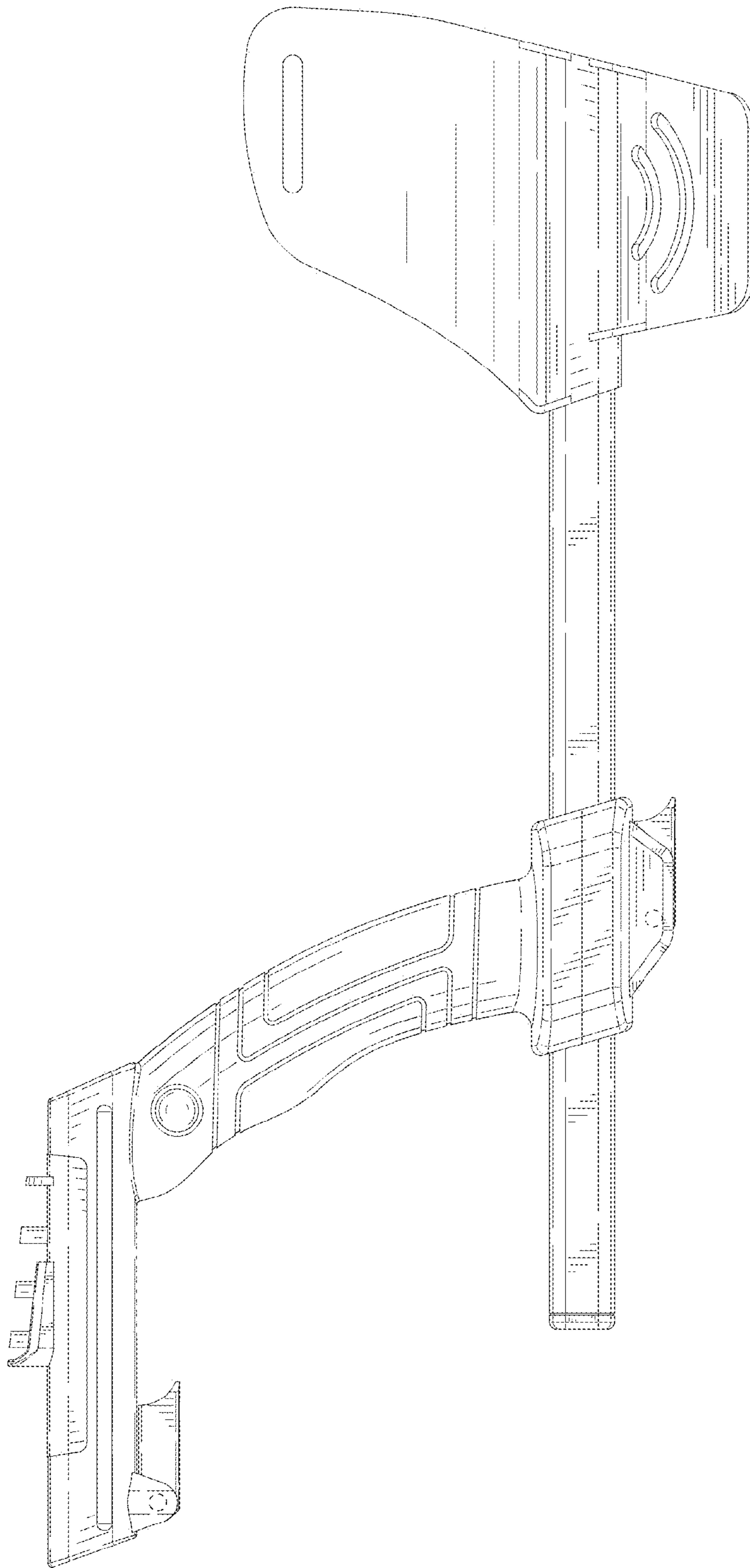


FIG. 6

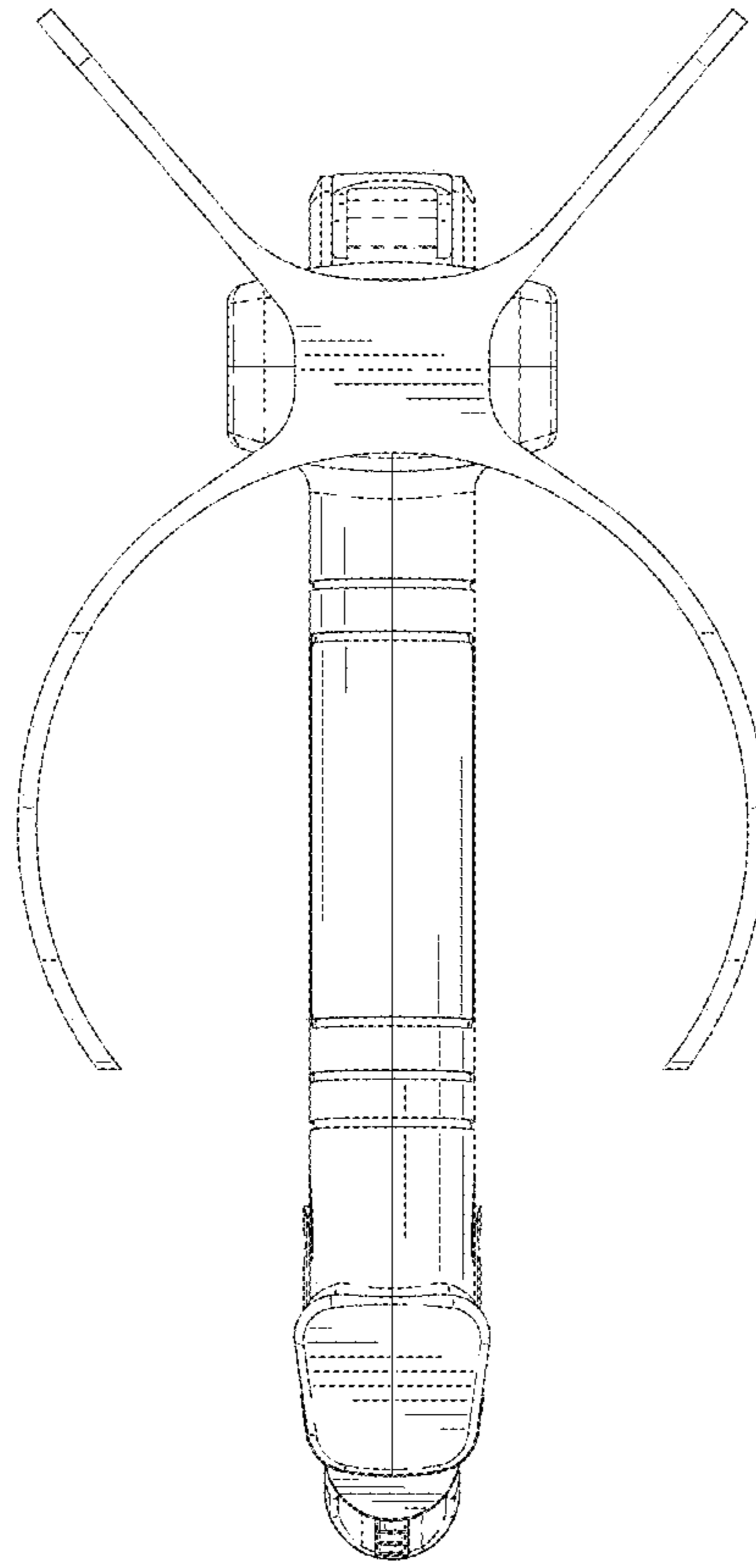


FIG. 7

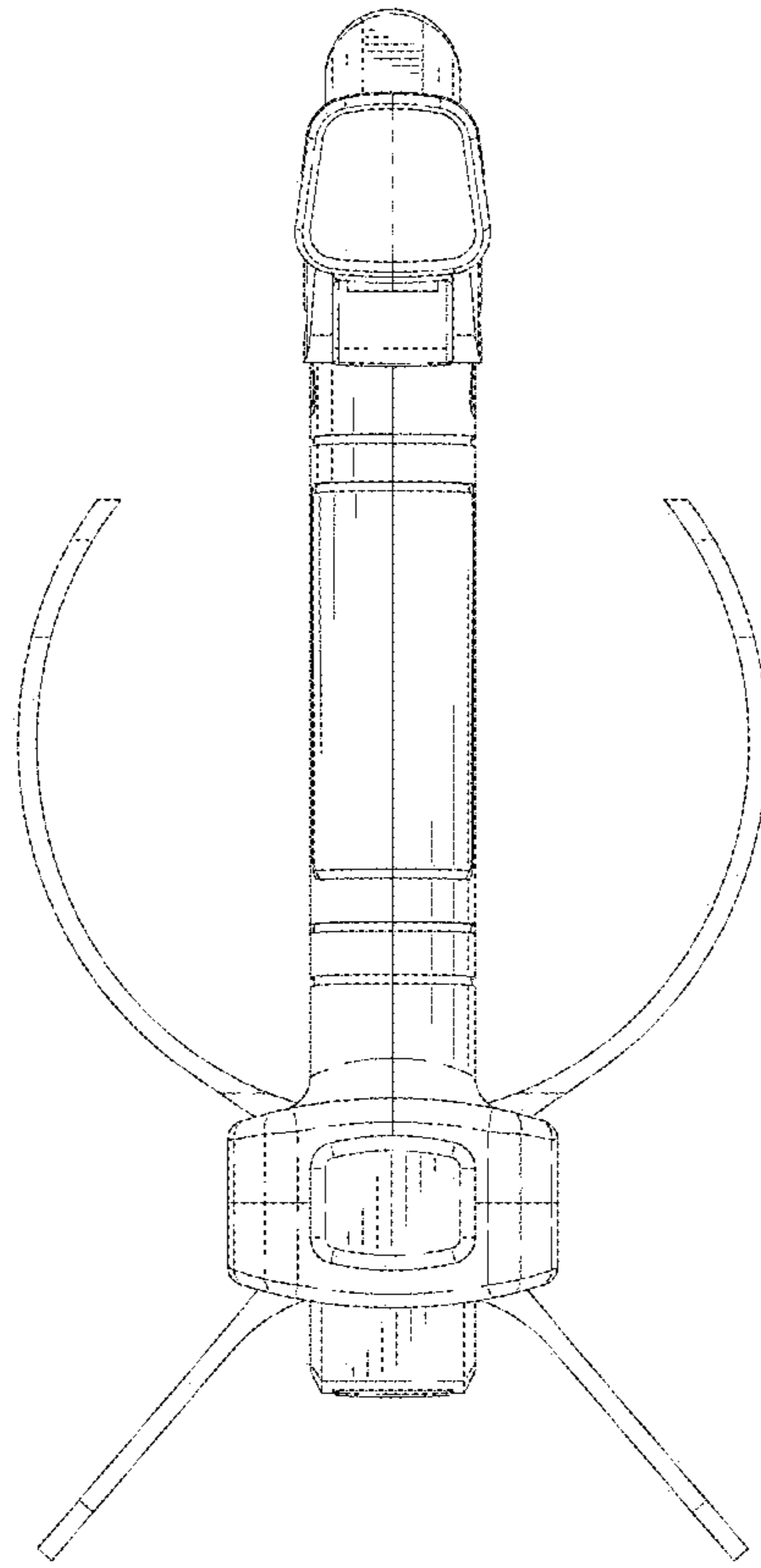


FIG. 8

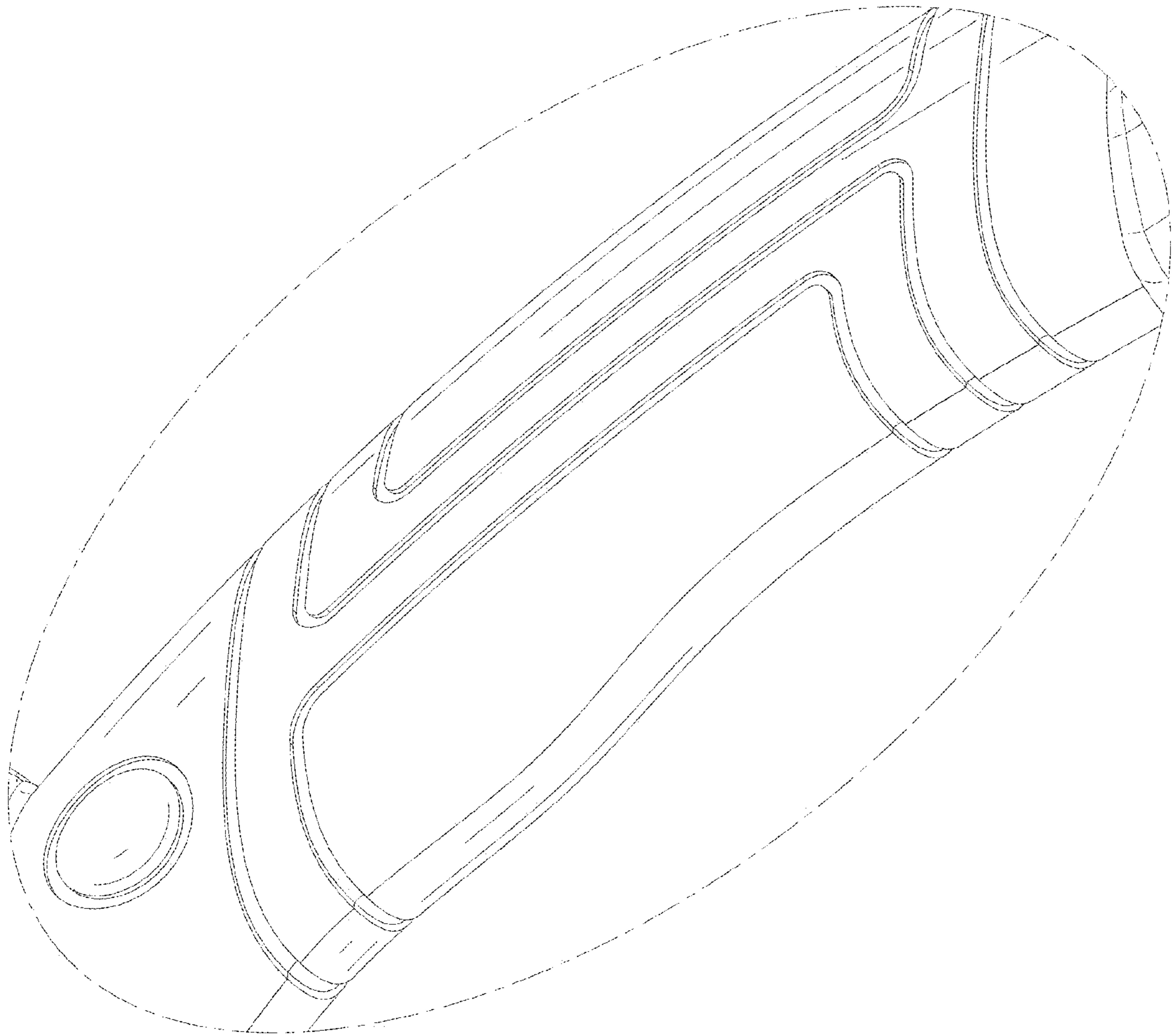


FIG. 9

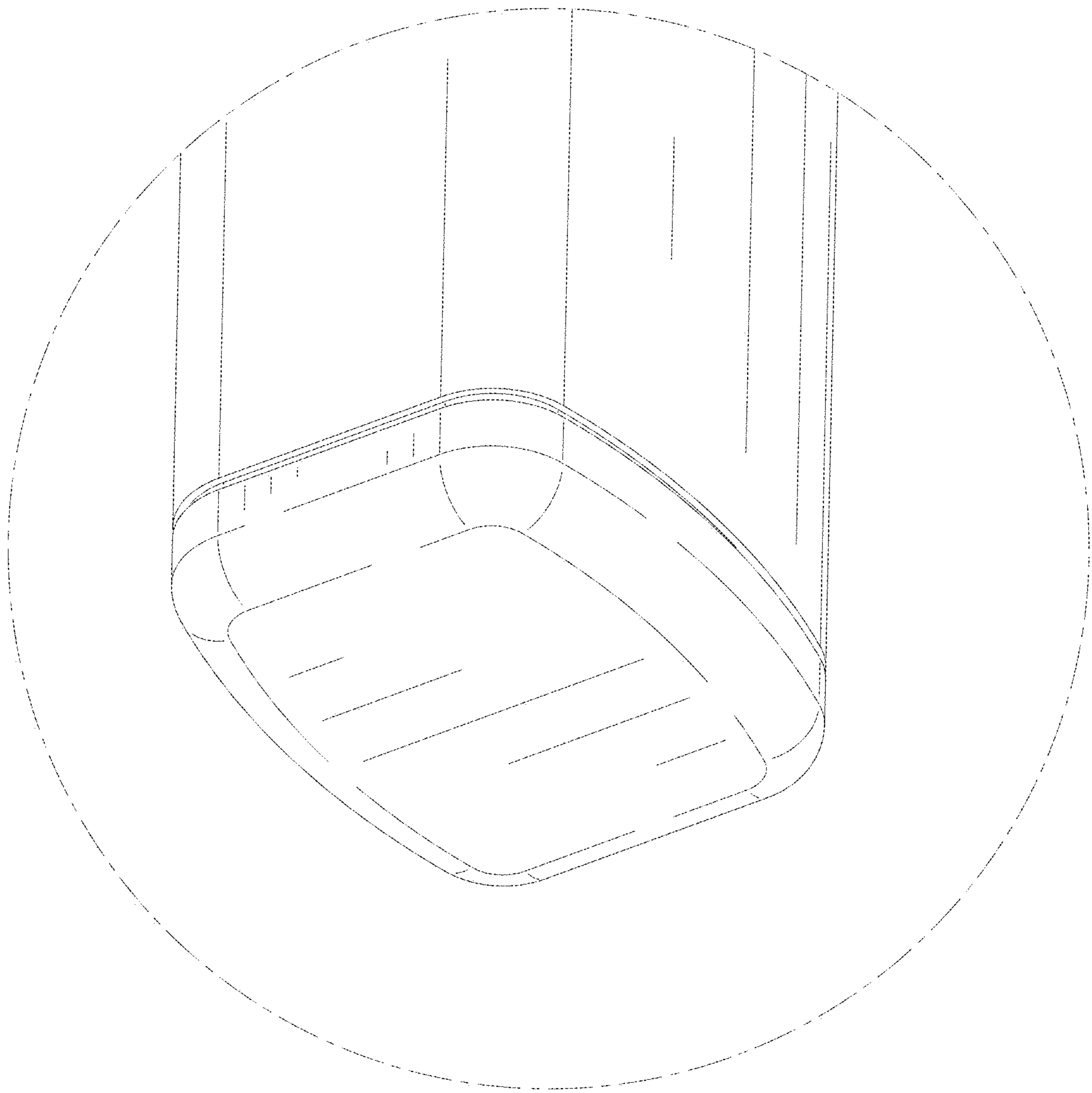


FIG. 10

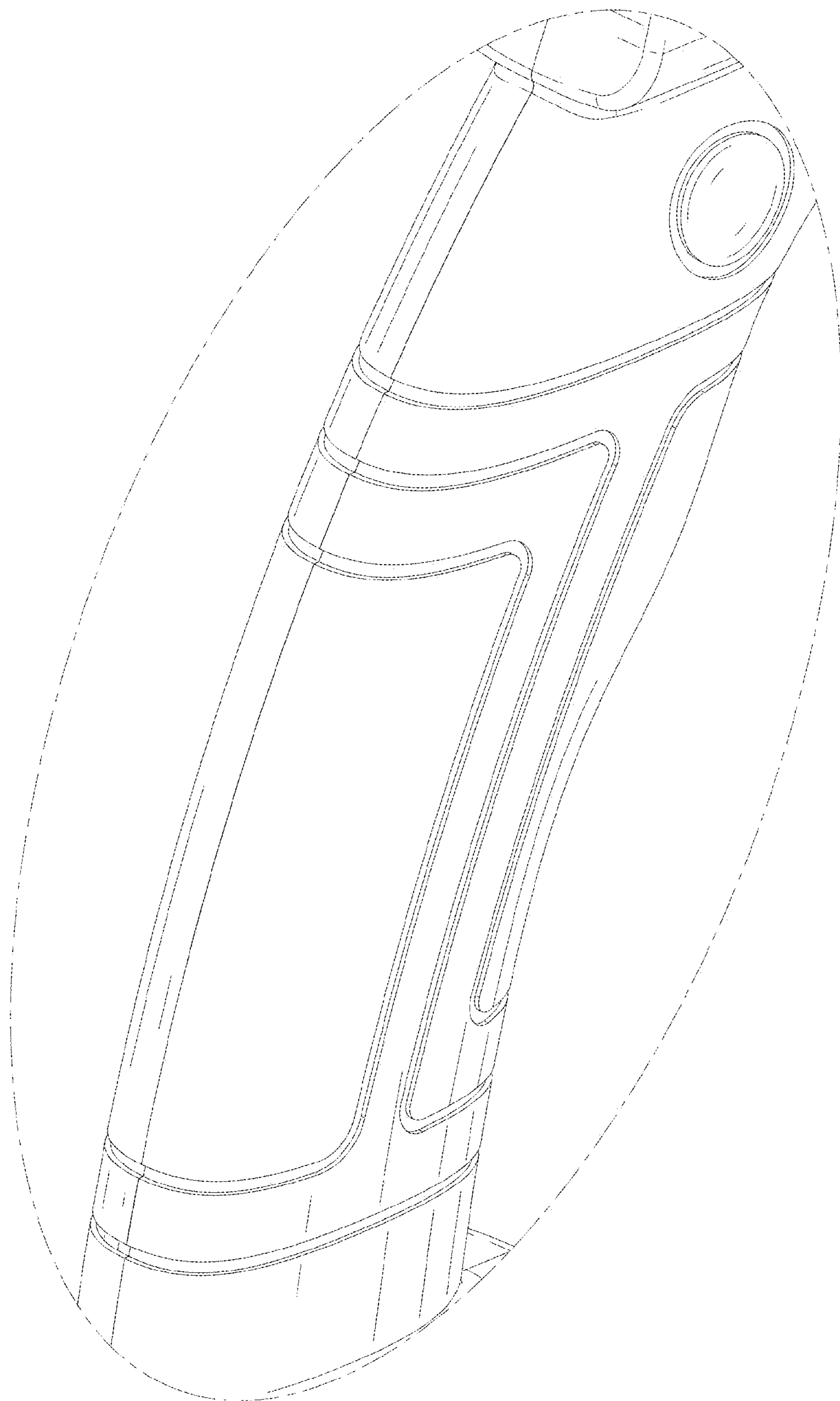


FIG. 11

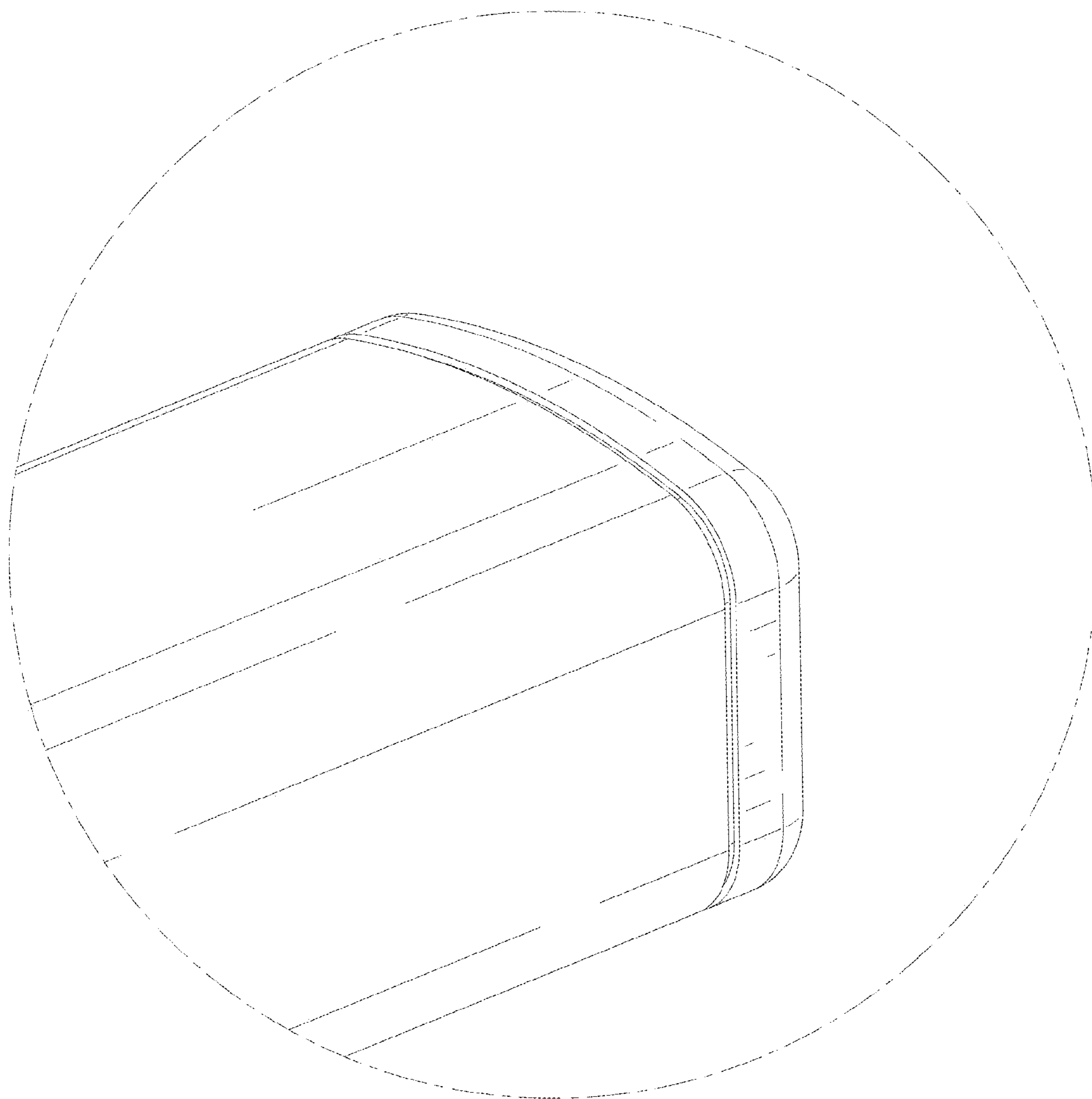


FIG. 12

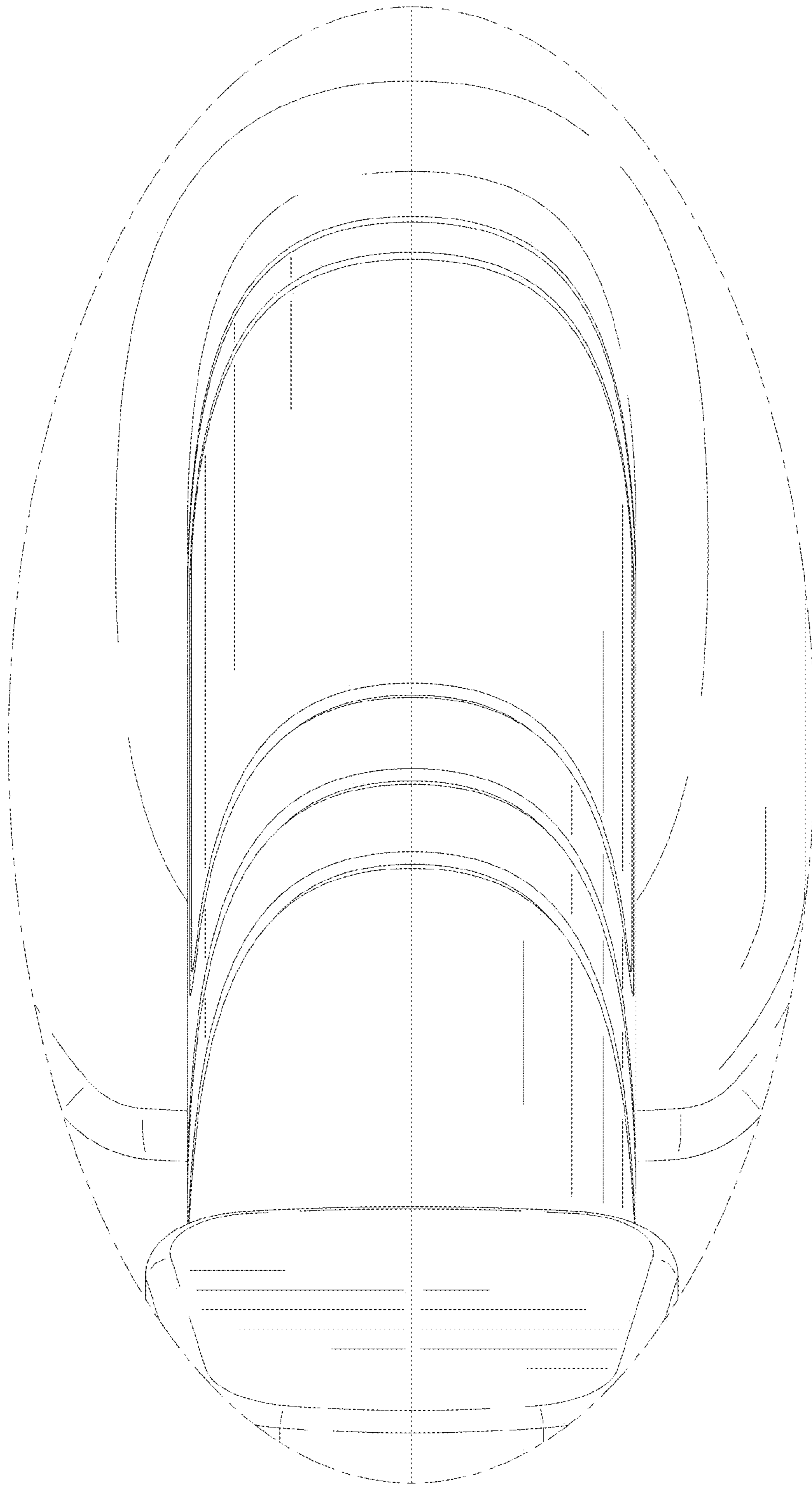


FIG. 13