



US00D986749S

(12) **United States Design Patent** (10) **Patent No.:** **US D986,749 S**  
**Cai** (45) **Date of Patent:** **\*\* May 23, 2023**

(54) **WATCH CASE**  
(71) Applicant: **Biyun Cai**, Maoming (CN)  
(72) Inventor: **Biyun Cai**, Maoming (CN)  
(\*\*) Term: **15 Years**

D959,315 S 8/2022 Xiao  
D960,578 S \* 8/2022 Hua ..... D3/302  
D961,597 S \* 8/2022 Painter ..... D14/440  
D970,377 S \* 11/2022 Liu ..... D10/132  
D971,028 S \* 11/2022 Lee ..... D10/30  
2020/0363773 A1\* 11/2020 Wang ..... G04B 37/0058  
2021/0364992 A1\* 11/2021 Yang ..... G04G 9/007  
2022/0163925 A1\* 5/2022 You ..... G04B 37/005

(21) Appl. No.: **29/855,360**  
(22) Filed: **Oct. 1, 2022**  
(51) **LOC (14) Cl.** ..... **10-07**  
(52) **U.S. Cl.**  
USPC ..... **D10/132**  
(58) **Field of Classification Search**  
USPC .... D10/122, 125, 132, 126, 30, 38, 128, 39;  
D14/440, 250, 217, 447, 344, 349, 439,  
D14/432, 300  
CPC .. G04B 37/00; G04B 37/0008; G04B 37/005;  
G04B 37/22; G04B 37/18; G04B 37/20;  
G04B 37/116; A44C 5/007; A44C 5/147;  
A45C 11/10; A45C 11/12  
See application file for complete search history.

**FOREIGN PATENT DOCUMENTS**

CN 202230380834.5 \* 6/2022

**OTHER PUBLICATIONS**

Amazon, Elkson Bumper Case for Apple Watch, posted Feb. 10, 2019, [online], [visited Dec. 29, 2022]. Internet, <URL: https://www.amazon.co.uk/elkson-Protection-Compatible-Military-Flexible/dp/B07JQDLKFM/ref?th=1> (Year: 2019).\*

(Continued)

*Primary Examiner* — Samantha Wood  
(74) *Attorney, Agent, or Firm* — Jeenam Park

(56) **References Cited**

**U.S. PATENT DOCUMENTS**

D531,524 S \* 11/2006 Behling ..... D10/38  
D766,904 S \* 9/2016 Jung ..... D14/440  
D766,905 S \* 9/2016 Lee ..... D14/440  
D766,906 S \* 9/2016 Kim ..... D14/440  
D767,573 S \* 9/2016 Kim ..... D14/440  
D769,879 S \* 10/2016 Kim ..... D14/440  
D780,740 S \* 3/2017 Kim ..... D14/250  
D877,153 S \* 3/2020 Peng ..... D14/440  
D885,229 S \* 5/2020 Kim ..... D10/132  
D885,230 S \* 5/2020 Kim ..... D14/440  
D888,710 S \* 6/2020 Yun ..... D14/344  
D898,745 S \* 10/2020 Ye ..... D14/440  
D903,508 S \* 12/2020 Zhang ..... D10/30  
D912,562 S \* 3/2021 Zhou ..... D14/440  
D941,023 S \* 1/2022 Lee ..... D3/218  
D949,038 S \* 4/2022 Hu ..... D10/132

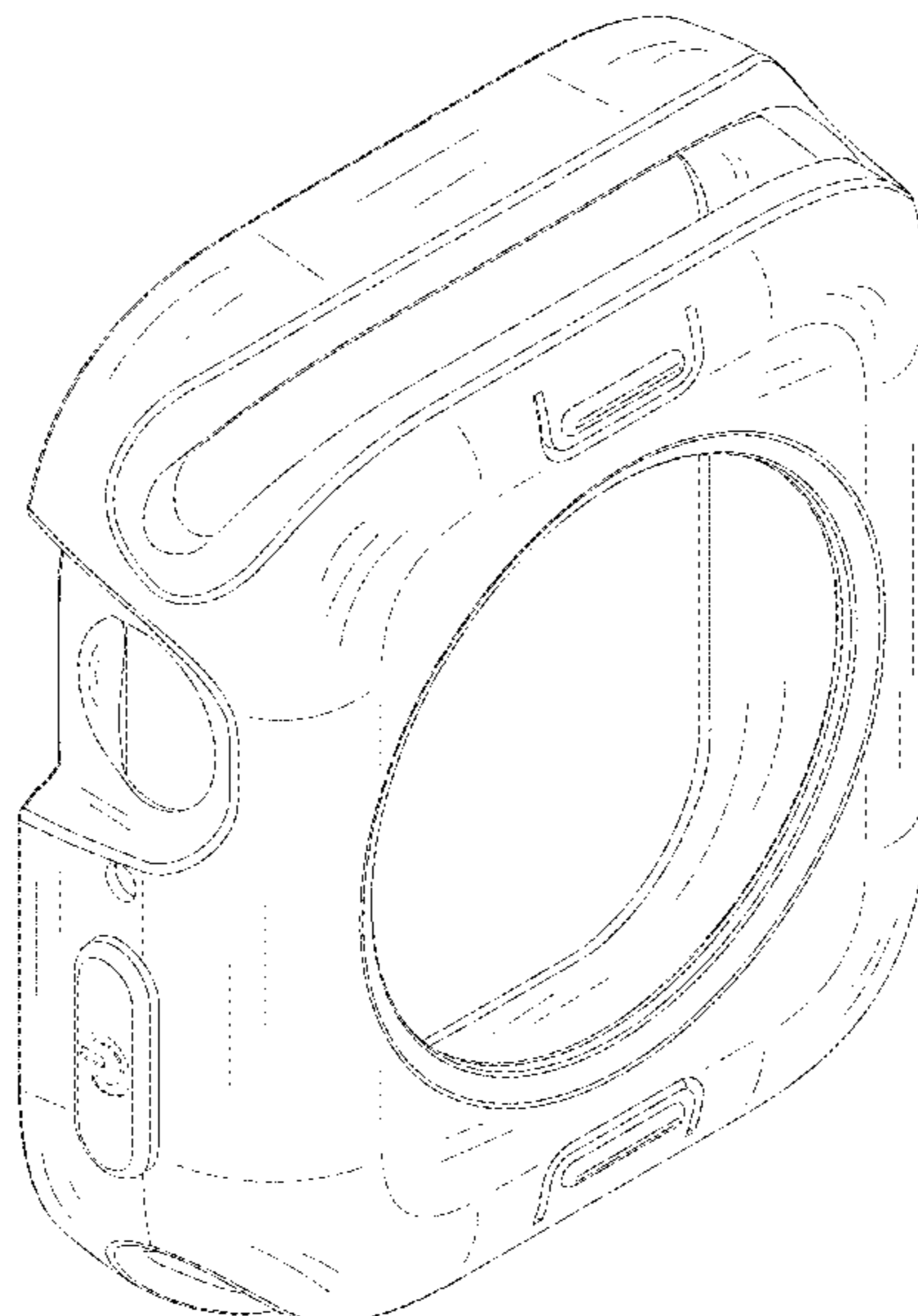
(57) **CLAIM**

The ornamental design for a watch case, as shown and described.

**DESCRIPTION**

FIG. 1 is a front view of a watch case, showing my new design;  
FIG. 2 is a rear view thereof;  
FIG. 3 is a left side view thereof;  
FIG. 4 is a right side view thereof;  
FIG. 5 is a top view thereof;  
FIG. 6 is a bottom view thereof; and,  
FIG. 7 is a front perspective view thereof.  
The broken lines in the drawings illustrate the portions of the watch case, which form no part of the claimed design.

**1 Claim, 7 Drawing Sheets**



(56)

**References Cited**

OTHER PUBLICATIONS

Amazon, Piuellia Transparent Case for Apple Watch, posted Oct. 10, 2018, [online], [visited Dec. 29, 2022]. Internet, <URL: <https://www.amazon.co.uk/Piuellia-iWatch-Screen-Protector-All-around-Clear/dp/B07JB3ZMMK/ref?th=1>> (Year: 2018).\*

Amazon, Shellbox Apple Watch Waterproof Protector, posted Oct. 12, 2019, [online], [visited Dec. 29, 2022]. Internet, <URL: <https://www.amazon.co.uk/SHELLBOX-Compatible-Waterproof-Case-Protector-Black-44-mm/dp/B07Z23FPRV/ref?th=1>> (Year: 2019).\*

Amazon, Owlhold Apple Watch Series Waterproof Case, posted Jul. 6, 2022, [online], [visited Dec. 29, 2022]. Internet, <URL: <https://www.amazon.co.uk/owlold-Waterproof-Shockproof-Tempered-Protector/dp/B0B5XL88M5/ref?th=1>> (Year: 2022).\*

Amazon, Amizee Rugged Case for Apple Watch, posted Aug. 2, 2022, [online], [visited Dec. 29, 2022]. Internet, <URL: <https://www.amazon.co.uk/Amizee-Rugged-Compatible-Shockproof-Protective/dp/B0B8CTQ96B/ref>> (Year: 2022).\*

\* cited by examiner

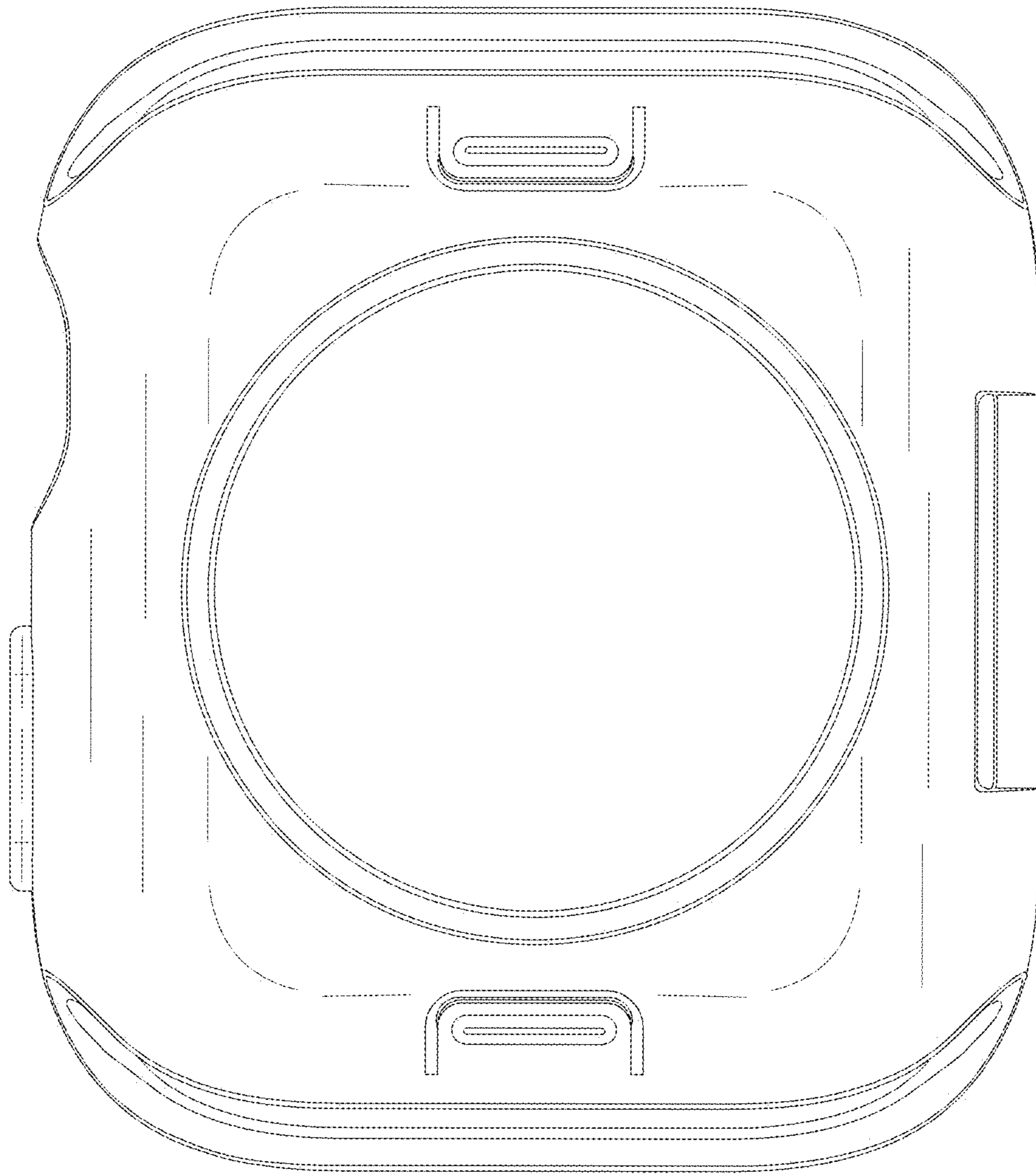


FIG. 1

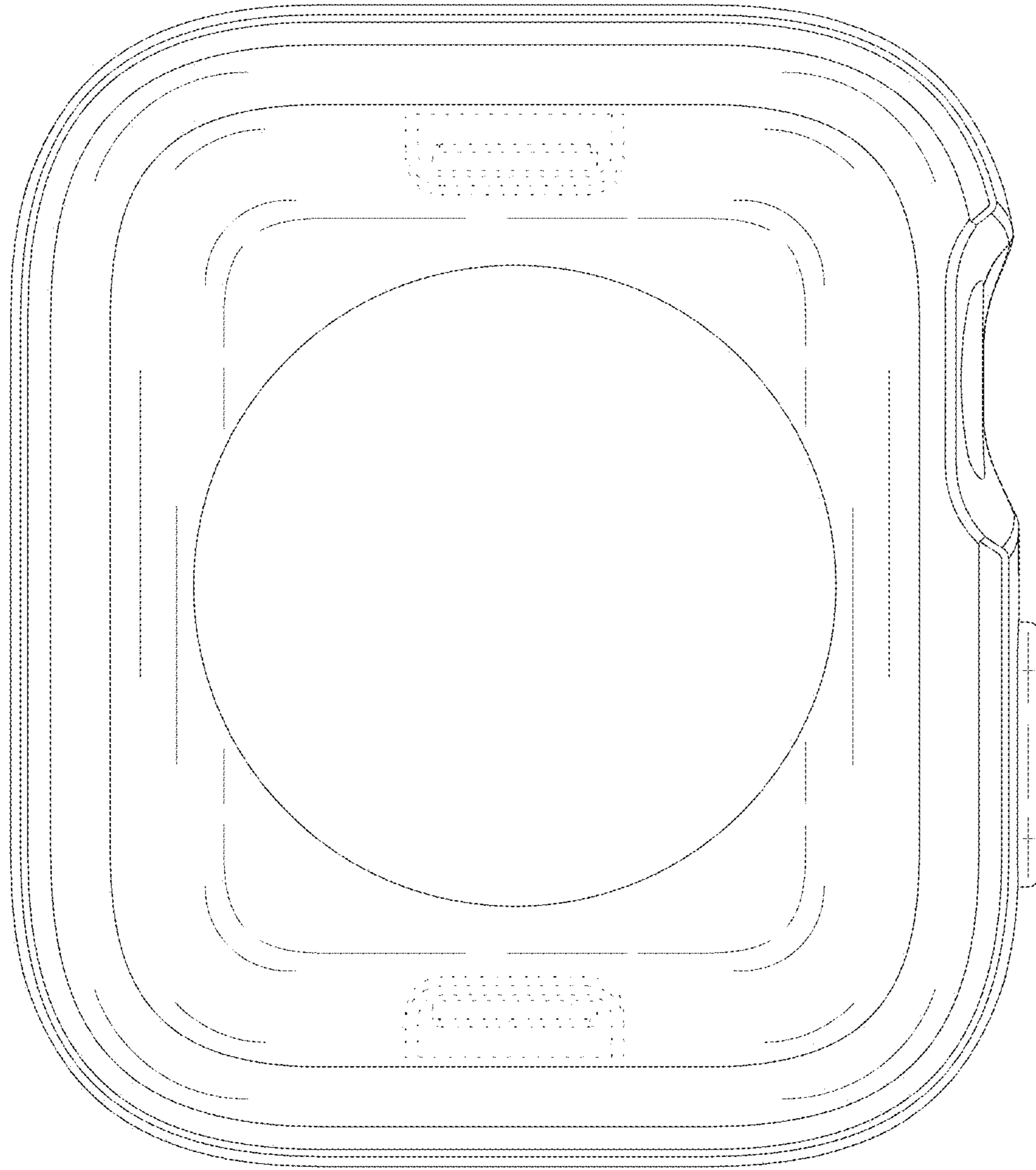


FIG. 2

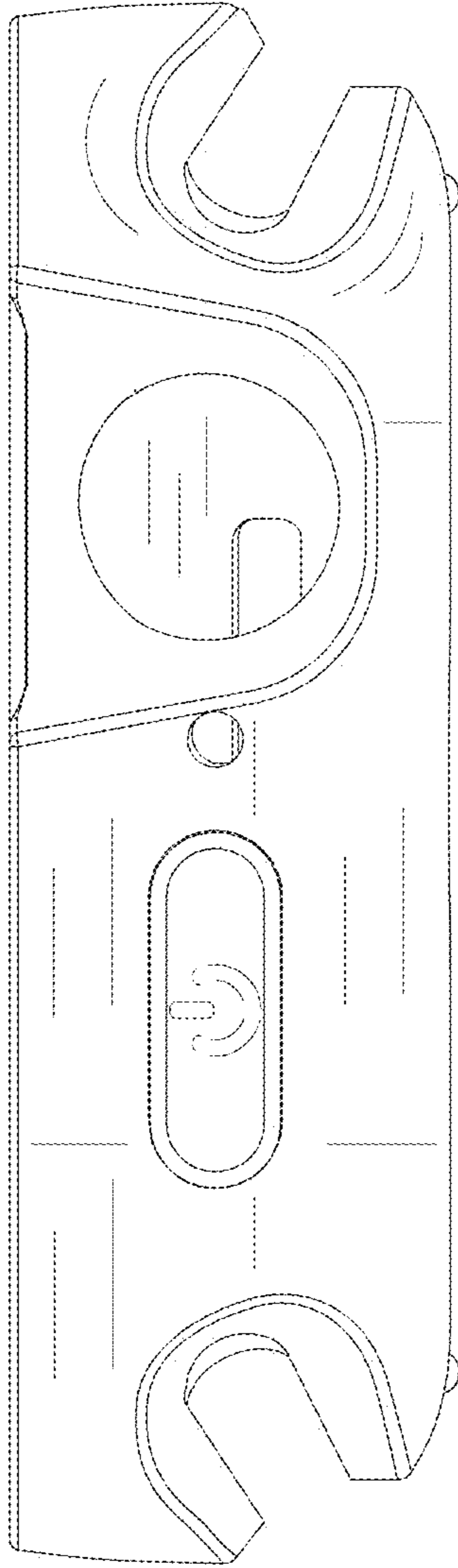


FIG. 3

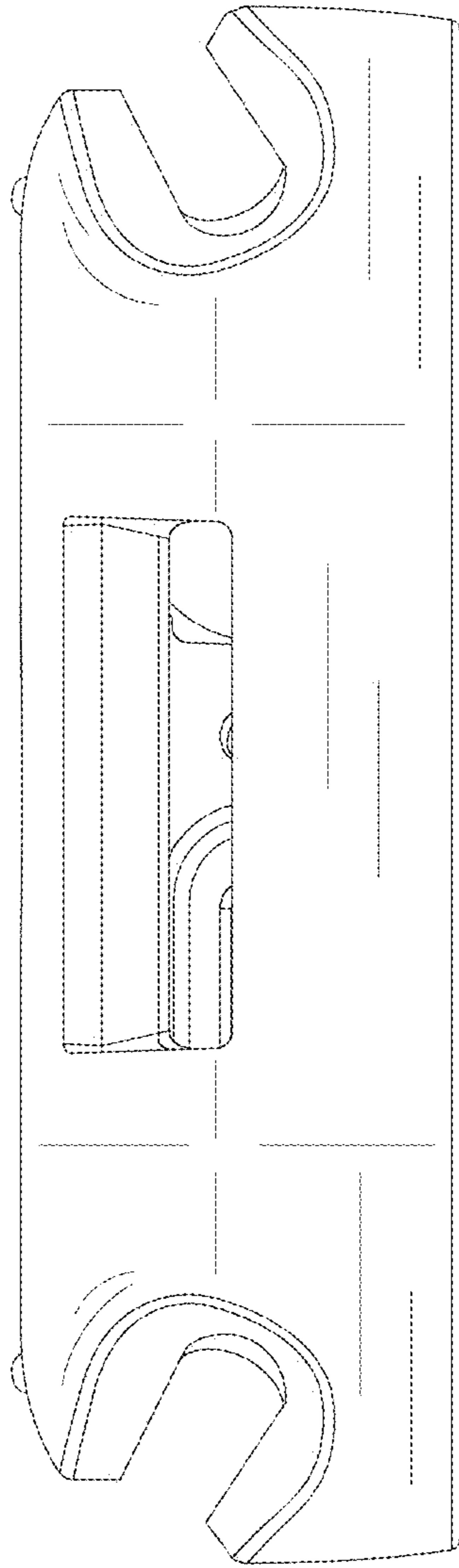


FIG. 4

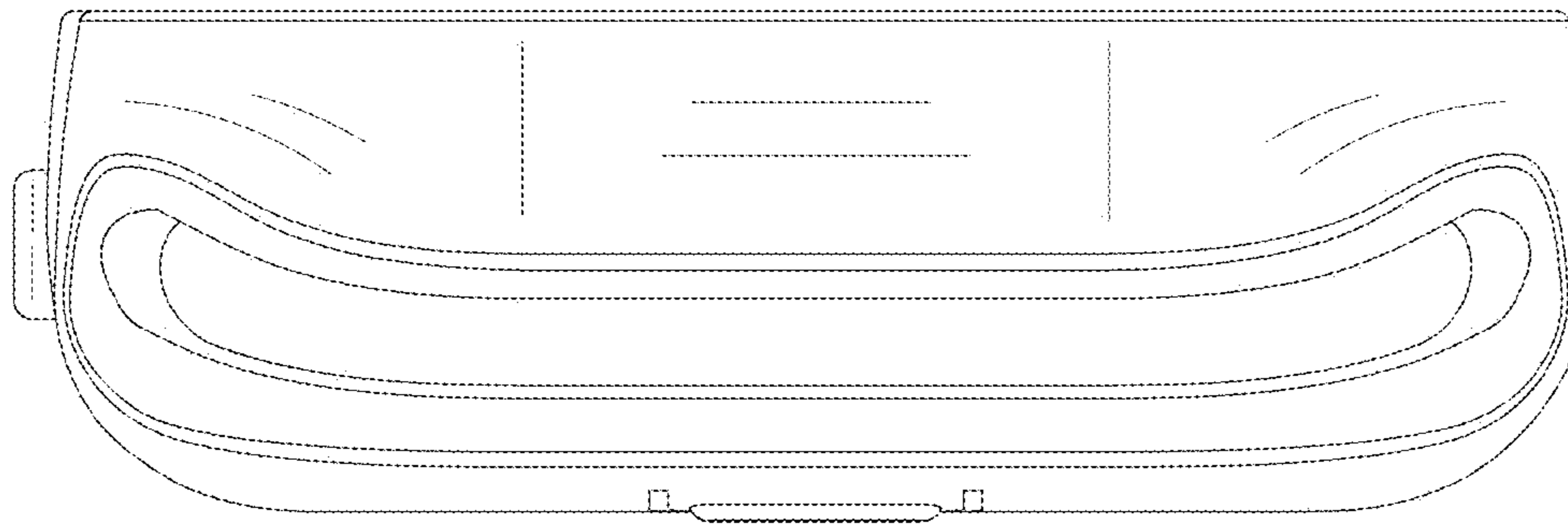


FIG. 5

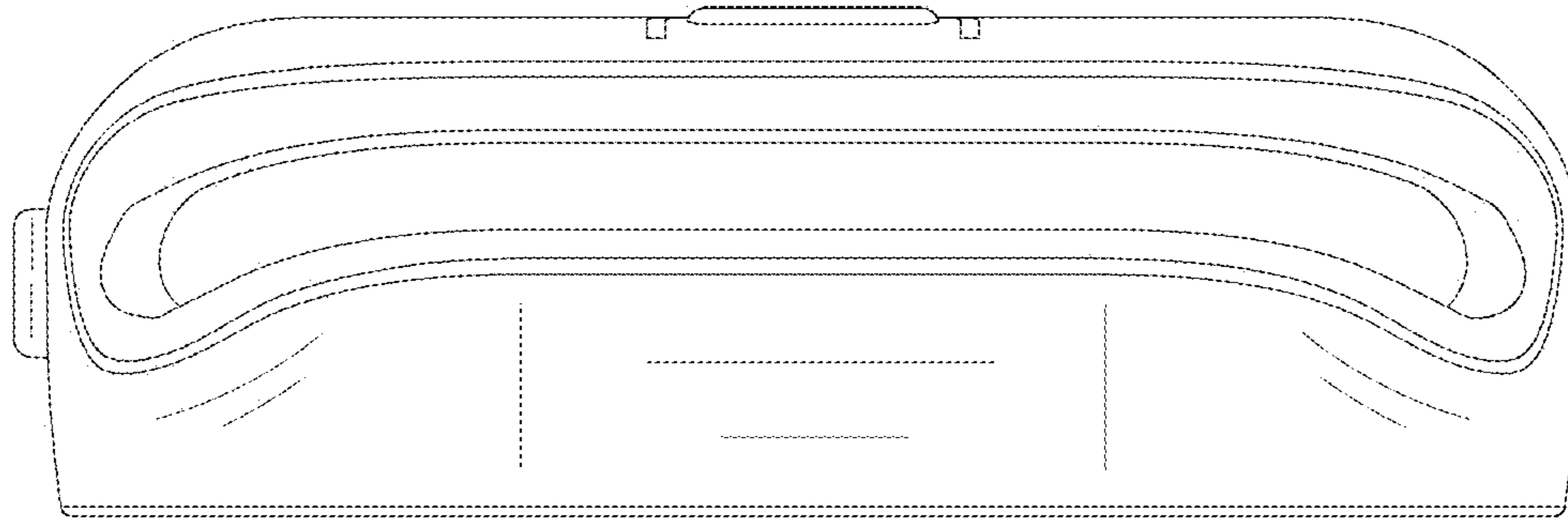


FIG. 6



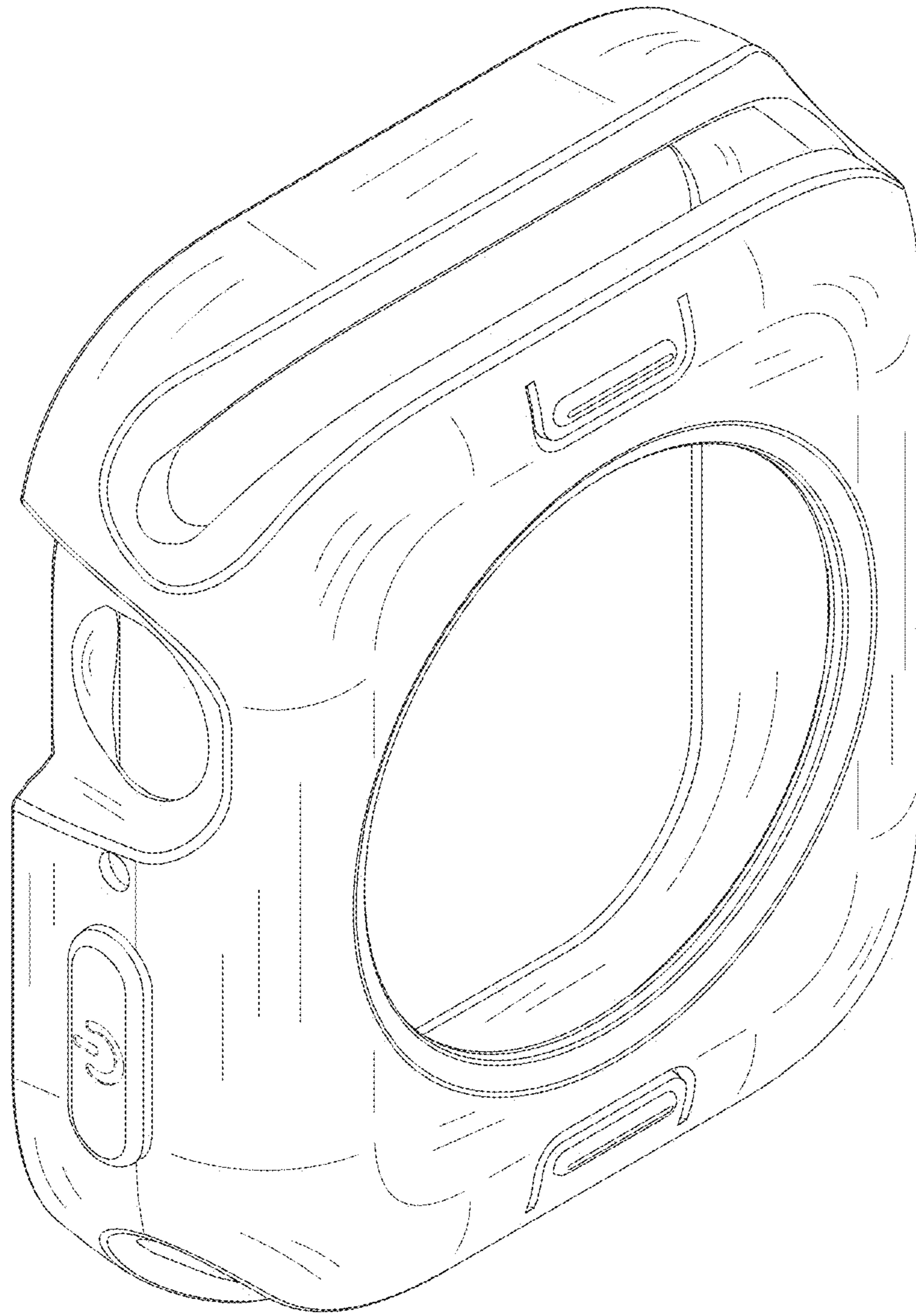


FIG. 7