



US00D986748S

(12) **United States Design Patent**
Kwan et al.

(10) **Patent No.:** **US D986,748 S**

(45) **Date of Patent:** **** May 23, 2023**

(54) **TAKE AWAY CUP CARRIER**

(71) Applicant: **Stora Enso OYJ**, Helsinki (FI)

(72) Inventors: **To Kwan**, Guangdong (CN); **Chen Biaoyun**, Guangdong (CN)

(73) Assignee: **Stora Enso OYJ**, Helsinki (FI)

(**) Term: **15 Years**

(21) Appl. No.: **29/772,308**

(22) Filed: **Mar. 1, 2021**

(30) **Foreign Application Priority Data**

Sep. 4, 2020 (CN) 202030519730.9

(51) **LOC (14) Cl.** **09-03**

(52) **U.S. Cl.**
USPC **D9/753**

(58) **Field of Classification Search**
USPC D9/702, 737, 756, 761, 751, 753, 414,
D9/415, 433, 455, 517; D7/550.1, 552.1,
(Continued)

(56) **References Cited**

U.S. PATENT DOCUMENTS

3,424,306 A * 1/1969 Munck B65D 75/54
206/466
5,238,161 A * 8/1993 Kimishima A47G 23/0216
224/217

(Continued)

FOREIGN PATENT DOCUMENTS

EP 2399844 A1 * 12/2011 B65D 71/0007
KR 20150003688 U * 10/2015 B65D 71/44

(Continued)

OTHER PUBLICATIONS

UgyDuky Disposable Drink Carrier Cup Holder. Date first available (Oct. 29, 2021). Site visited Jul. 11, 2022. Available from Amazon: <https://www.amazon.com/UgyDuky-Disposable-Carrier-Restaurant->

Delivery/dp/B09KNDBN6H?source=ps-sl-shoppingads-lpcontext&ref_=fplfs&smid=%E2%80%A6 (Year: 2021).*

Primary Examiner — Catherine S Posthauer

Assistant Examiner — Joan E. Diehl

(74) *Attorney, Agent, or Firm* — Greer, Burns & Crain, Ltd.

(57) **CLAIM**

The ornamental design for a take away cup carrier, as shown and described.

DESCRIPTION

FIG. 1 is a top plan view of a take away cup carrier showing our new design, shown in an unassembled configuration, the bottom plan view being identical thereto;

FIG. 2 is a front and left side perspective view of the take away cup carrier in an assembled configuration;

FIG. 3 is a front side elevational view of the take away cup carrier in the assembled configuration;

FIG. 4 is a rear elevational view of the take away cup carrier in the assembled configuration;

FIG. 5 is a left side elevational view of the take away cup carrier in the assembled configuration;

FIG. 6 is a right side elevational view of the take away cup carrier in the assembled configuration;

FIG. 7 is a top plan view of the take away cup carrier in the assembled configuration;

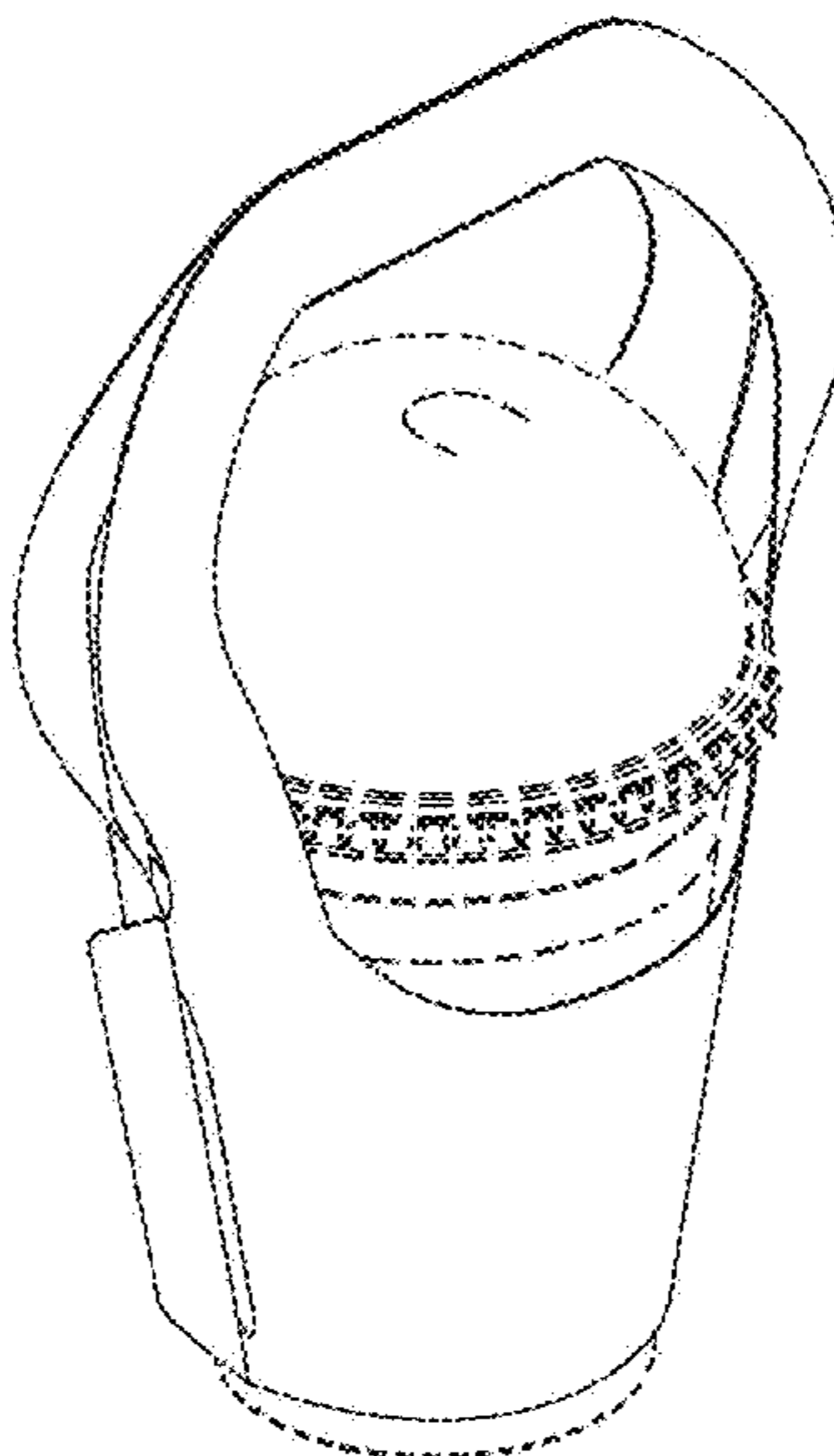
FIG. 8 is a bottom plan view of the take away cup carrier in the assembled configuration;

FIG. 9 is a front and left side perspective view of the take away cup carrier in an assembled configuration, shown in a position of use with an exemplary cup; and,

FIG. 10 is a rear and right side perspective view of the take away cup carrier in an assembled configuration, shown in a position of use with an exemplary cup.

The broken lines in FIGS. 9 and 10 represent the environment of the take away cup carrier that form no part of the claimed design.

1 Claim, 10 Drawing Sheets



US D986,748 S

Page 2

(58) **Field of Classification Search**

USPC D7/554.1, 555, 586, 590, 600, 602;
D3/202, 269, 315; 206/139, 427;
229/400
CPC . B65D 5/00; B65D 5/02; B65D 75/00; B65D
75/54; B65D 71/0077; B65D 71/722;
B65D 71/0081; B65D 71/44; B65D
71/46; A47G 23/0216; A45F 5/00
See application file for complete search history.

(56) **References Cited**

U.S. PATENT DOCUMENTS

5,957,276 A * 9/1999 Cutler B65D 71/44
206/427
6,230,882 B1 * 5/2001 Wischusen, III B65D 71/004
206/194
D462,904 S * 9/2002 Mellon D9/434
7,819,277 B2 * 10/2010 Hanson A45F 5/00
220/737
8,083,126 B2 * 12/2011 Fleming B65D 71/30
206/199
D695,135 S * 12/2013 Macqueen D9/751
D709,375 S * 7/2014 Smith D9/455

D730,748 S * 6/2015 Varavarna D9/753
D824,282 S * 7/2018 Woo D11/143
D881,011 S * 4/2020 Wolf D9/737
D944,655 S * 3/2022 Rattanapaibooncharoen
B65D 71/504
D9/753
2005/0211578 A1 * 9/2005 Libit B65D 71/46
206/170
2005/0230273 A1 * 10/2005 Kohler B65D 71/0081
206/192
2007/0138217 A1 * 6/2007 Hranilovich A45F 5/00
190/102
2010/0101976 A1 * 4/2010 Urban B65D 71/0077
206/736
2014/0008250 A1 * 1/2014 Picciolo B65D 71/72
206/141
2014/0305954 A1 * 10/2014 Singh A47G 23/0216
220/737
2021/0163199 A1 * 6/2021 Rattanapaibooncharoen
A47G 23/0208

FOREIGN PATENT DOCUMENTS

KR 20160002026 U * 6/2016 B65D 71/48
KR 20200123615 A * 10/2020 B65D 71/48

* cited by examiner

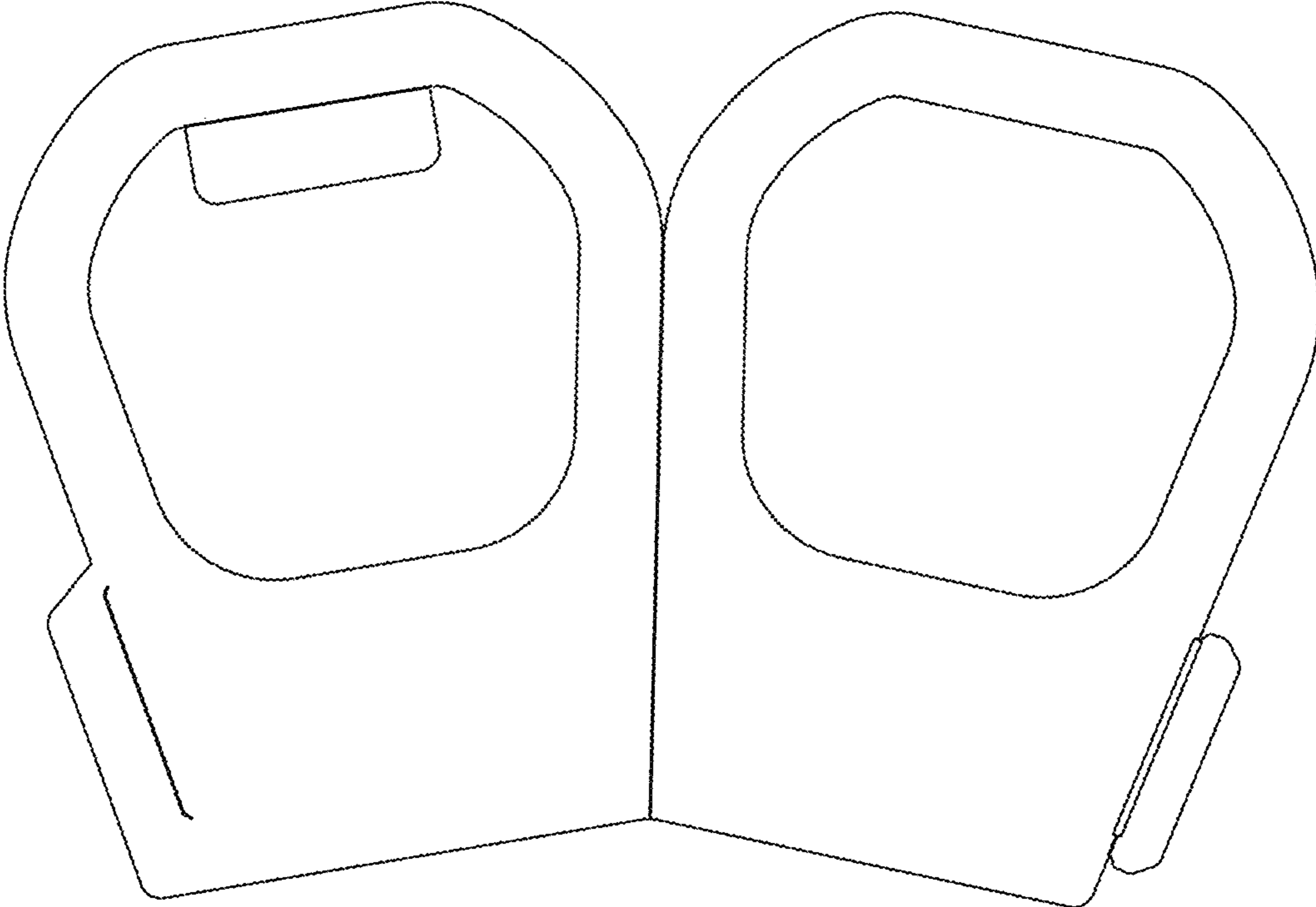


FIG. 1

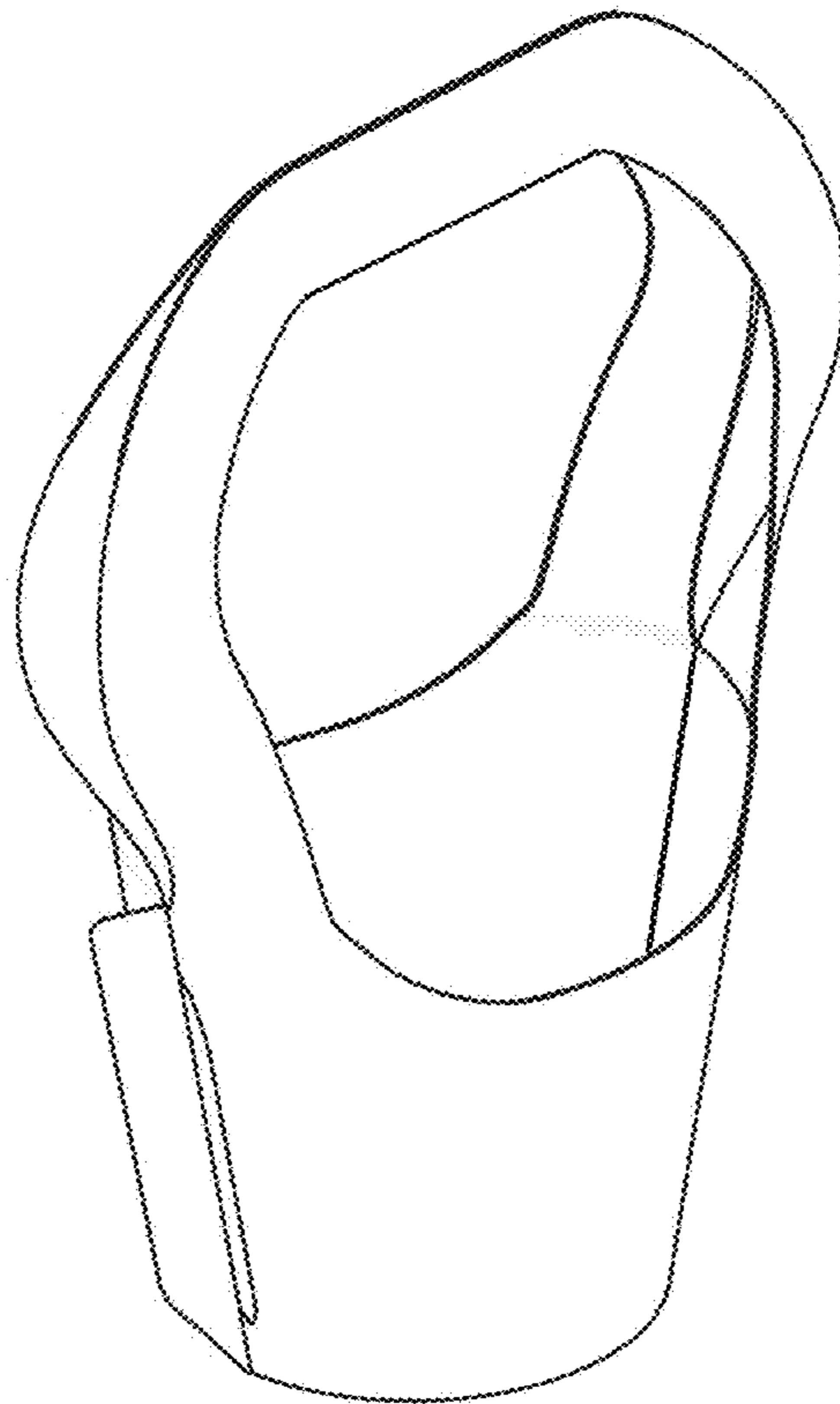


FIG. 2

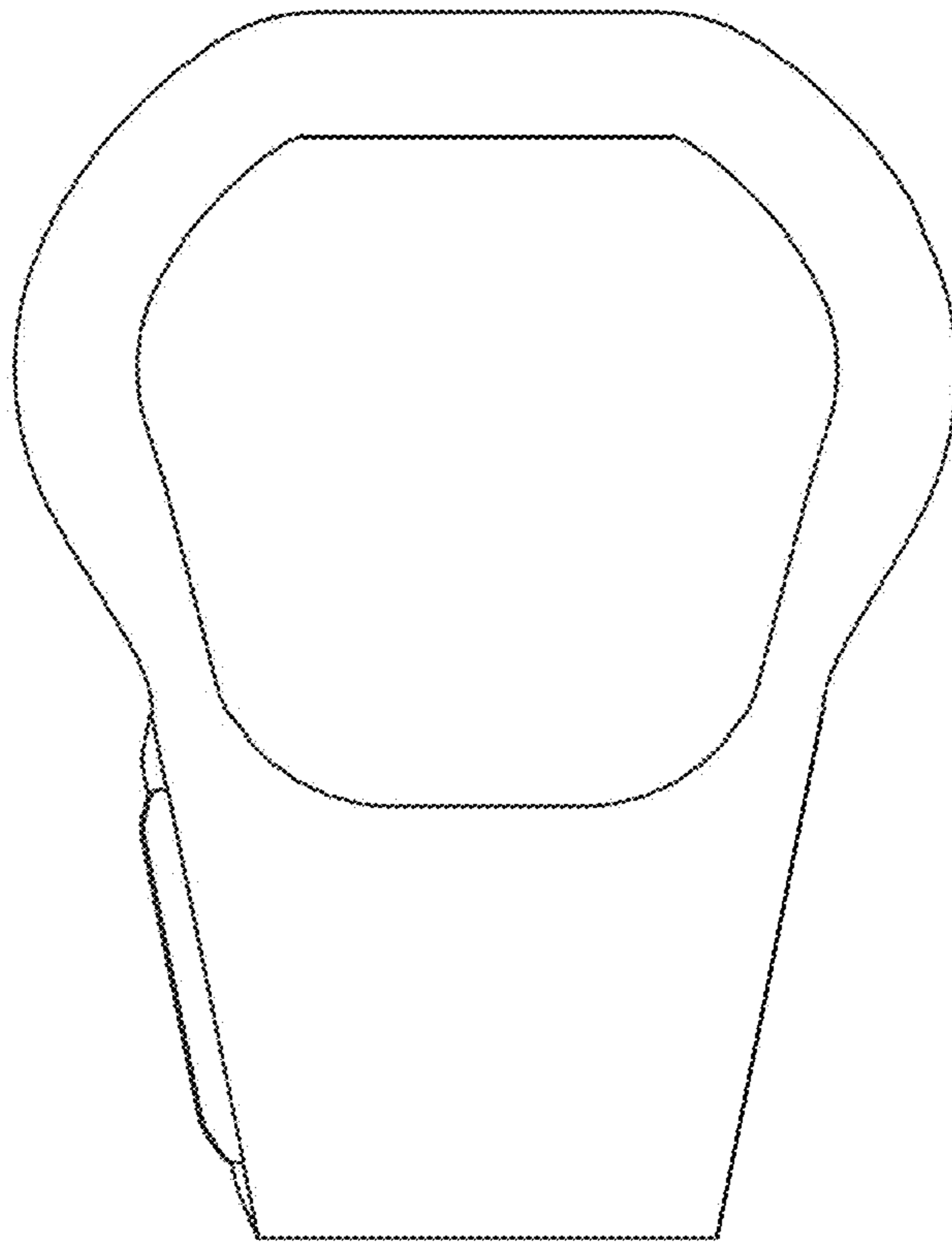


FIG. 3

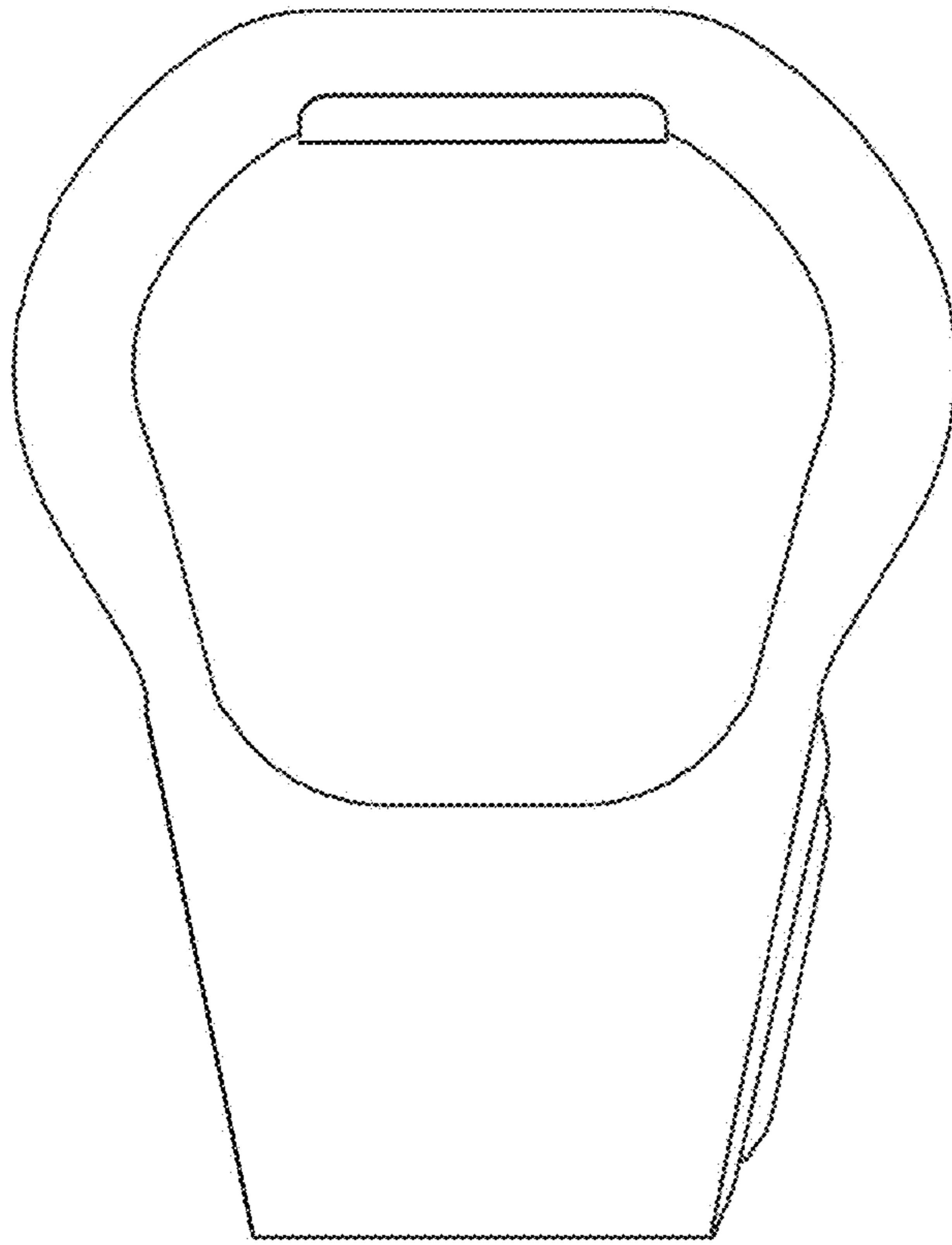


FIG. 4

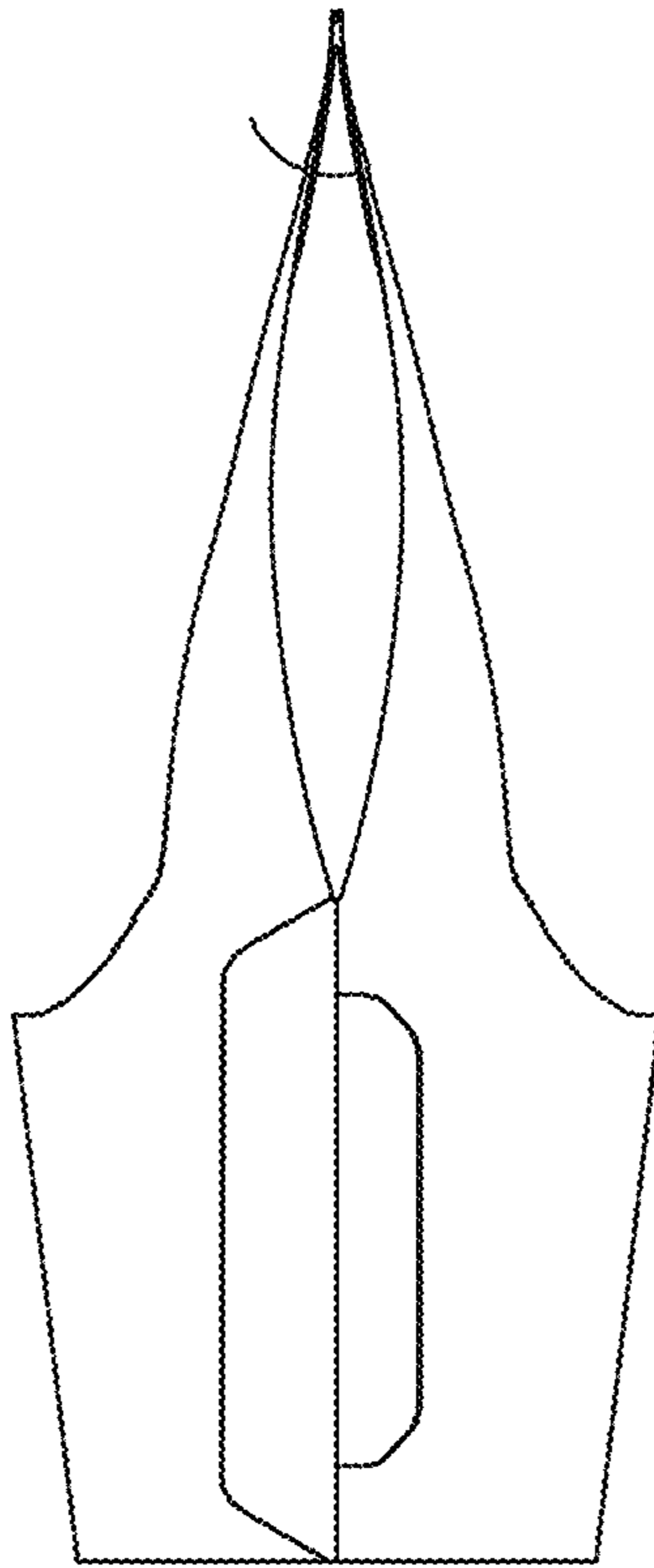


FIG. 5

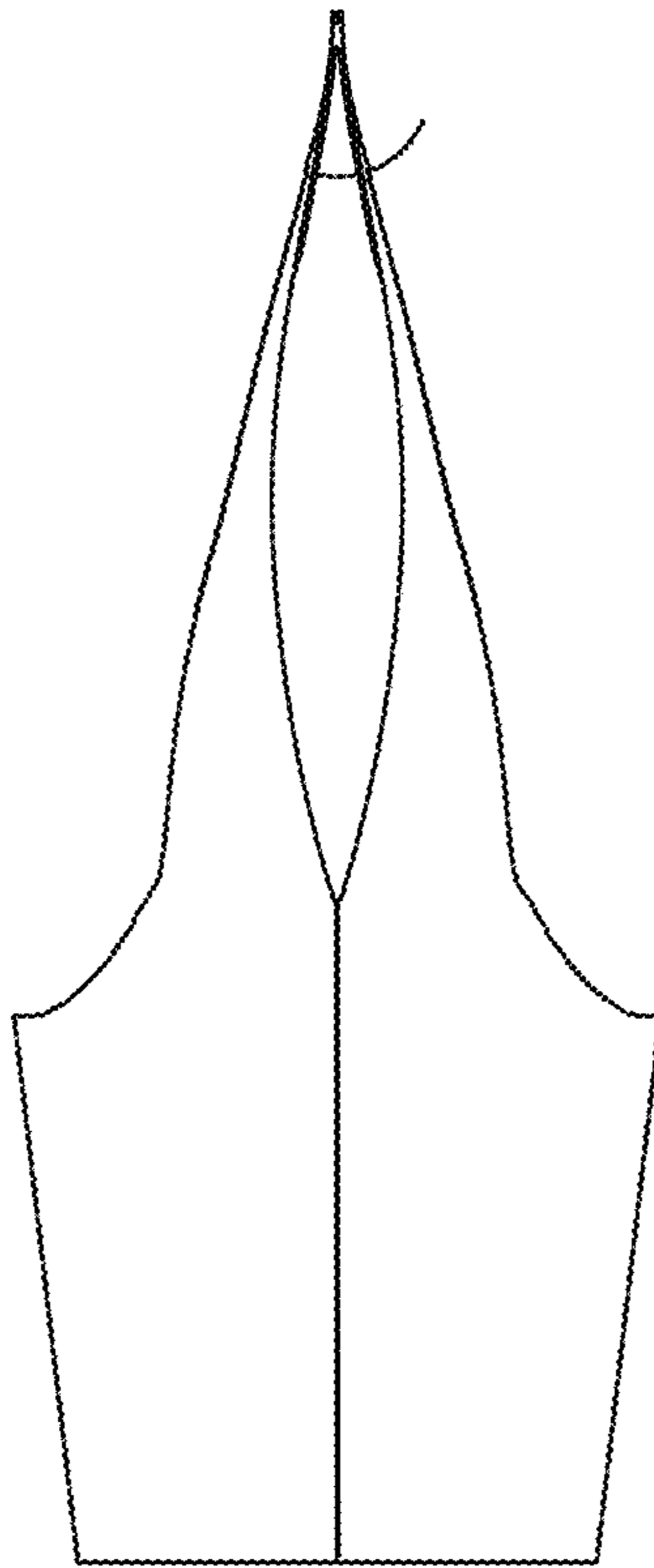


FIG. 6

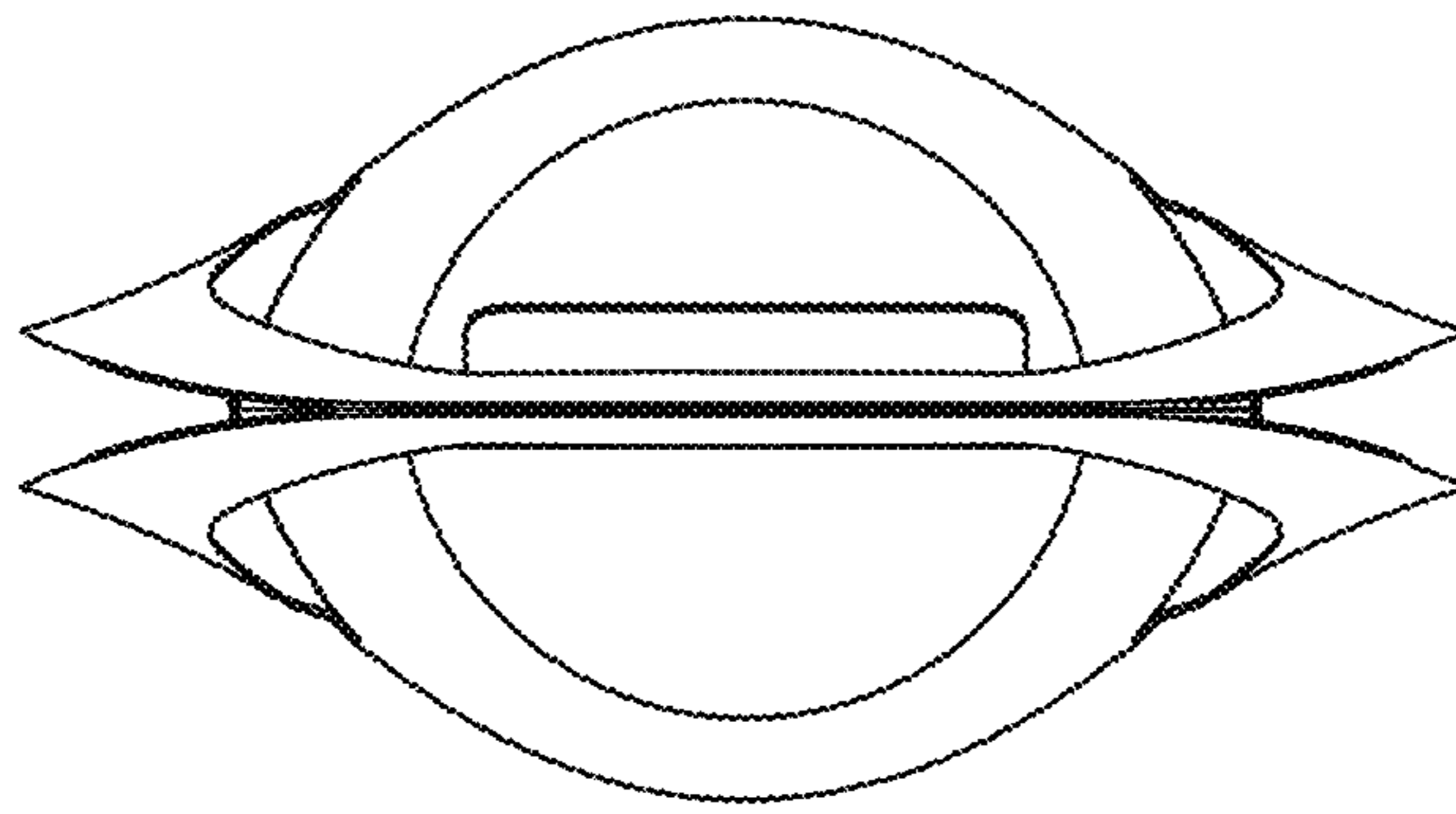


FIG. 7

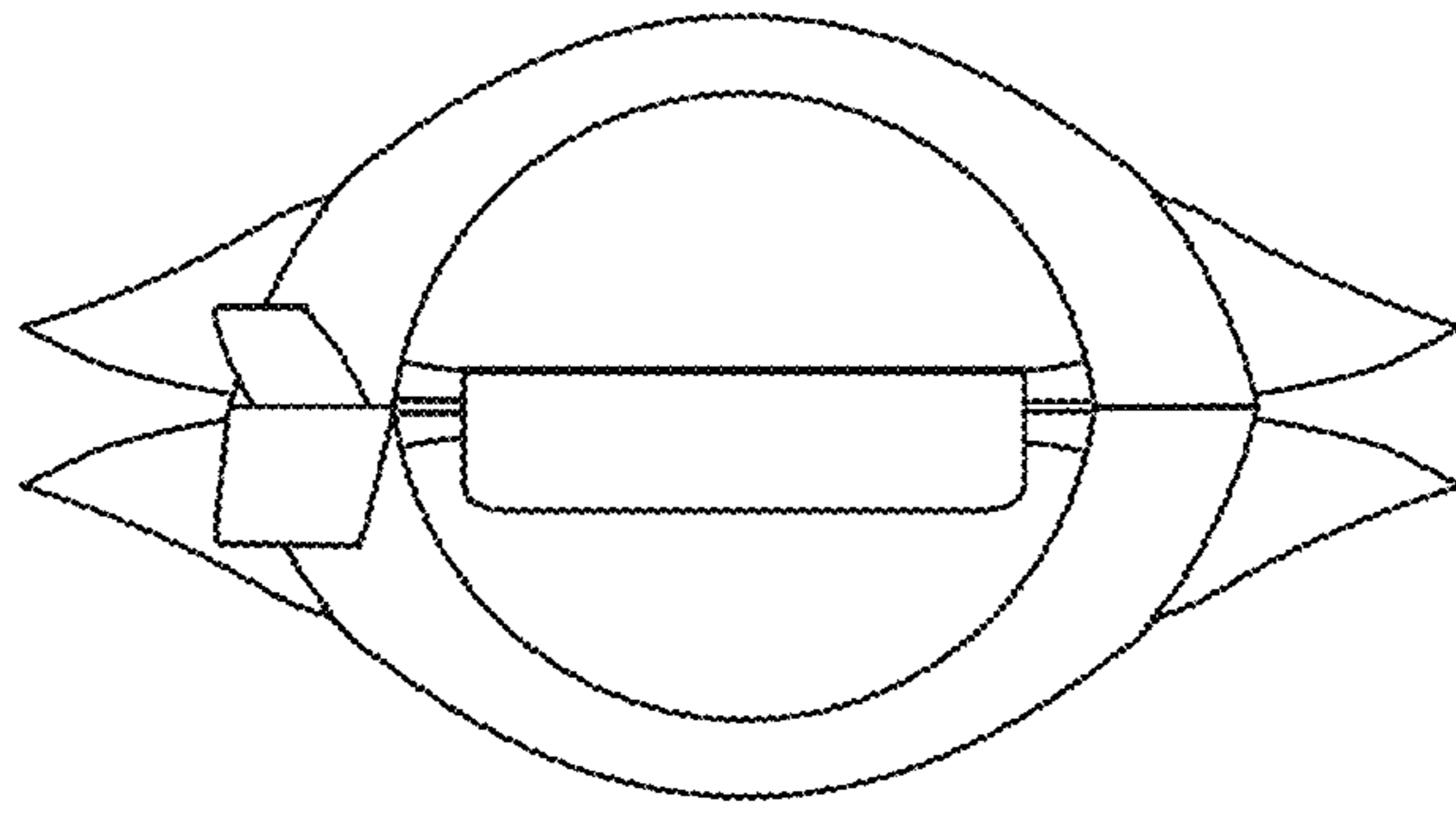


FIG. 8

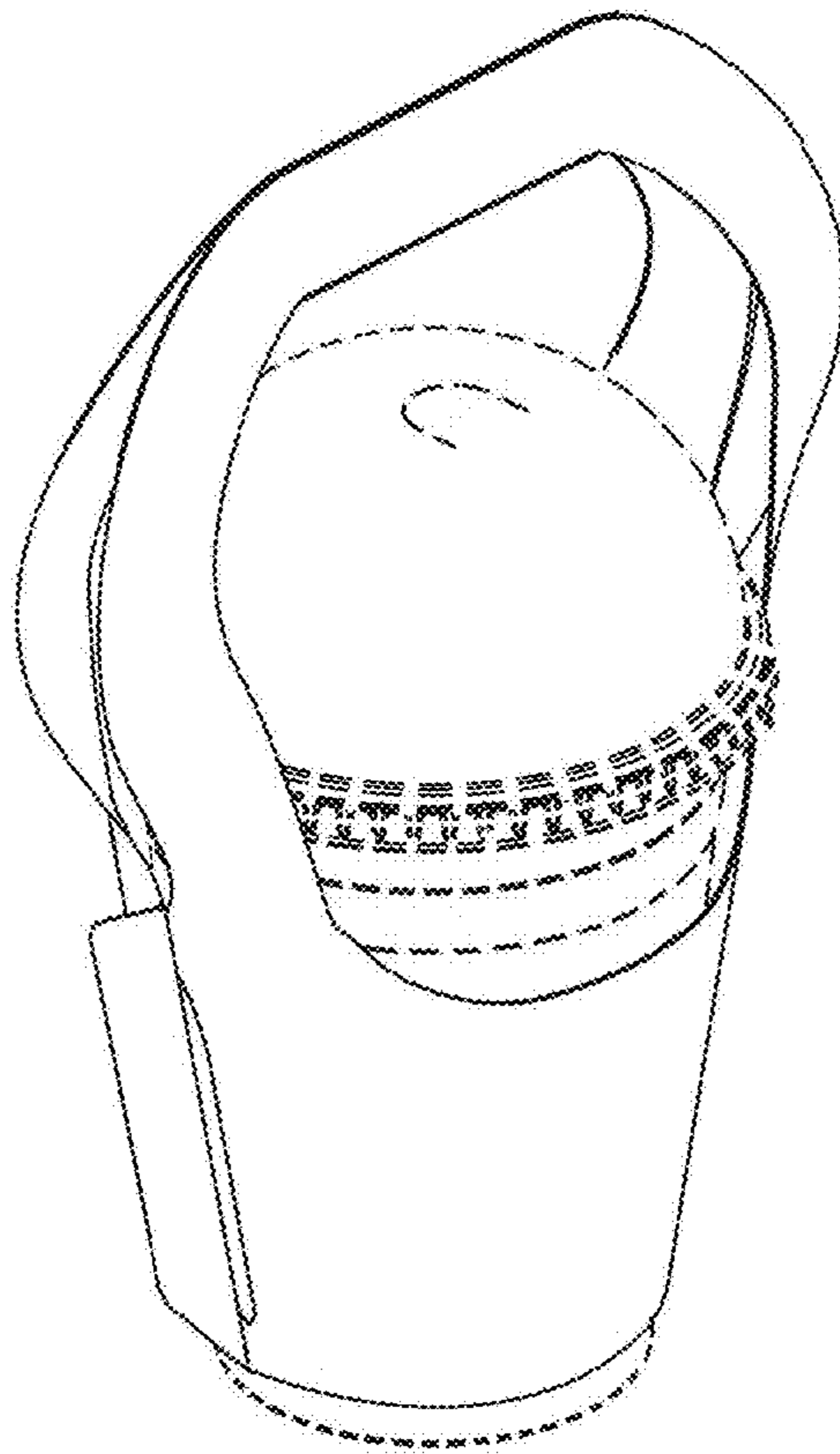


FIG. 9

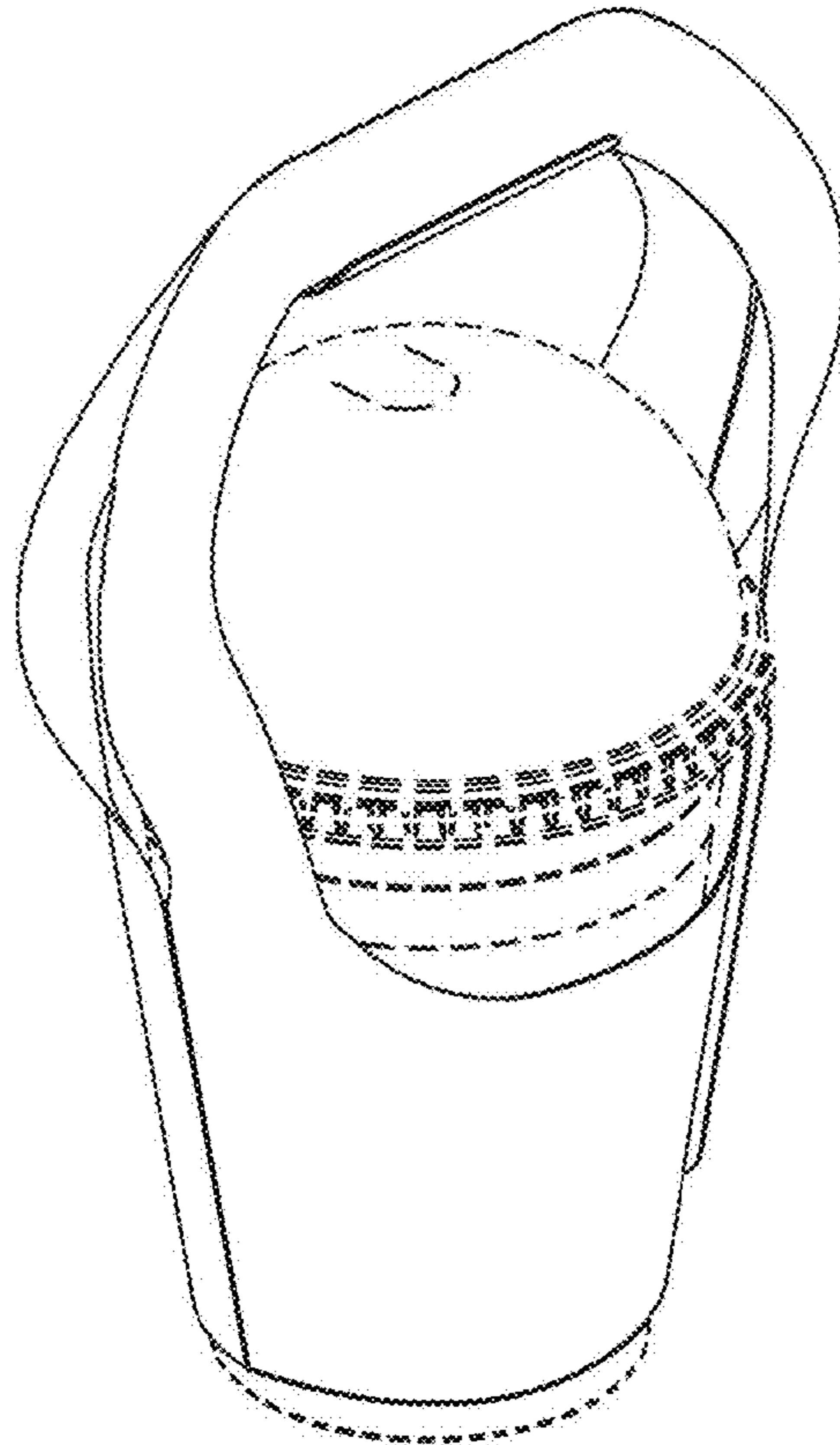


FIG. 10