



US00D986747S

(12) **United States Design Patent** (10) **Patent No.:** **US D986,747 S**  
**McBride et al.** (45) **Date of Patent:** **\*\* May 23, 2023**

(54) **MEDICAMENT CONTAINER**  
(71) Applicant: **Chattem, Inc.**, Chattanooga, TN (US)  
(72) Inventors: **Michelle McBride**, Randolph, NJ (US);  
**Edward Reese**, Ringgold, GA (US);  
**Kenneth Clarke Struthers**, Hixson,  
TN (US)

D562,699 S 2/2008 Green  
D566,559 S 4/2008 Swint  
D604,168 S \* 11/2009 El Ghouyel ..... D9/563  
D618,561 S 6/2010 Lee  
(Continued)

(73) Assignee: **Chattem, Inc.**, Chattanooga, TN (US)

**FOREIGN PATENT DOCUMENTS**

GB 2052126 \* 5/1995

(\*\*) Term: **15 Years**

**OTHER PUBLICATIONS**

2 Pcs 50ml/1.7oz Glass Deodorant Roller Bottle Empty Roll On  
Bottles Deodorant Containers DIY Rollerball Bottles For Sunscreen  
Moisturizer Cosmetics by ConStore Online, published date N/A.  
Retrieved on Sep. 15, 2022 from URL: <https://www.amazon.com/Deodorant-Containers-Rollerball-Sunscreen-Moisturizer/dp/B09798D6GL/r>.\*

(21) Appl. No.: **29/750,227**

(22) Filed: **Sep. 11, 2020**

(51) **LOC (14) Cl.** ..... **09-01**

(52) **U.S. Cl.**  
USPC ..... **D9/726; D28/82**

(58) **Field of Classification Search**  
USPC ..... D9/726, 724, 723, 552, 529, 519, 530,  
D9/535-537, 549, 558, 574; D28/76, 82  
CPC ..... A45D 34/041; A45D 34/02; A45D  
2034/005; B65B 5/04; B65B 7/16; B65D  
1/10; B65D 1/26; B65D 1/30; B65D  
1/40; B65D 11/02; B65D 21/086; B65D  
77/2024; B65D 85/72

See application file for complete search history.

*Primary Examiner* — Jae Liang  
*Assistant Examiner* — Royner Mendoza  
(74) *Attorney, Agent, or Firm* — IceMiller LLP

(57) **CLAIM**

The ornamental design for a medicament container, as shown and described.

**DESCRIPTION**

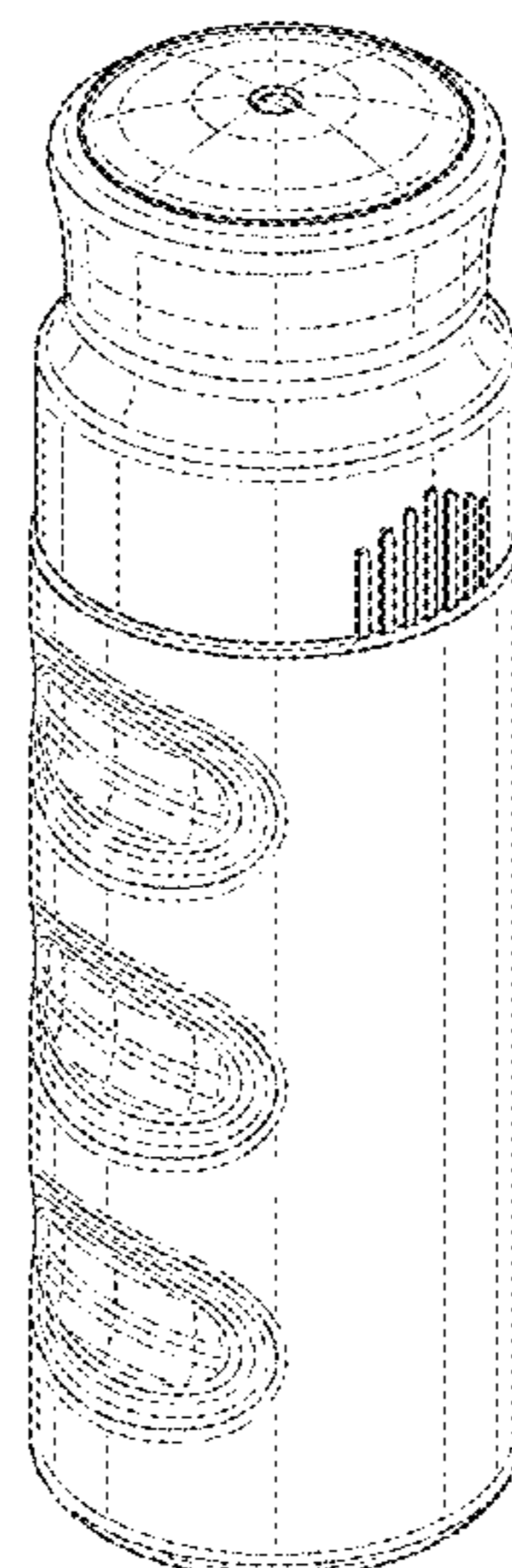
FIG. 1 is a perspective view for a medicament container.  
FIG. 2 is a front end view thereof;  
FIG. 3 is a rear end view thereof;  
FIG. 4 is a right side view thereof;  
FIG. 5 is a left side view thereof;  
FIG. 6 is a top view thereof;  
FIG. 7 is an inverted bottom view thereof; and,  
FIG. 8 is an exploded perspective view thereof.  
The broken lines shown in FIG. 8 depict an exploded  
reference line and forms no part of the claimed design. The  
remaining broken line shown in FIG. 7 of the medicament  
container is for the purpose of illustrating portions of the  
article and forms no part of the claimed design.

(56) **References Cited**

**U.S. PATENT DOCUMENTS**

3,090,987 A 5/1963 Ruekberg  
4,050,826 A 9/1977 Berghahn  
D255,653 S 7/1980 Lipsz  
D266,146 S 9/1982 Morris  
D280,289 S 8/1985 Aldrich, III  
D398,479 S \* 9/1998 Vultaggio ..... D9/540  
D406,054 S 2/1999 Wagner  
D409,451 S 5/1999 Kato  
6,095,708 A 8/2000 Butaud  
D458,846 S \* 6/2002 Witt, Sr. .... D9/531  
6,637,966 B2 10/2003 Roberts  
D518,732 S 4/2006 Gedanke

**1 Claim, 8 Drawing Sheets**



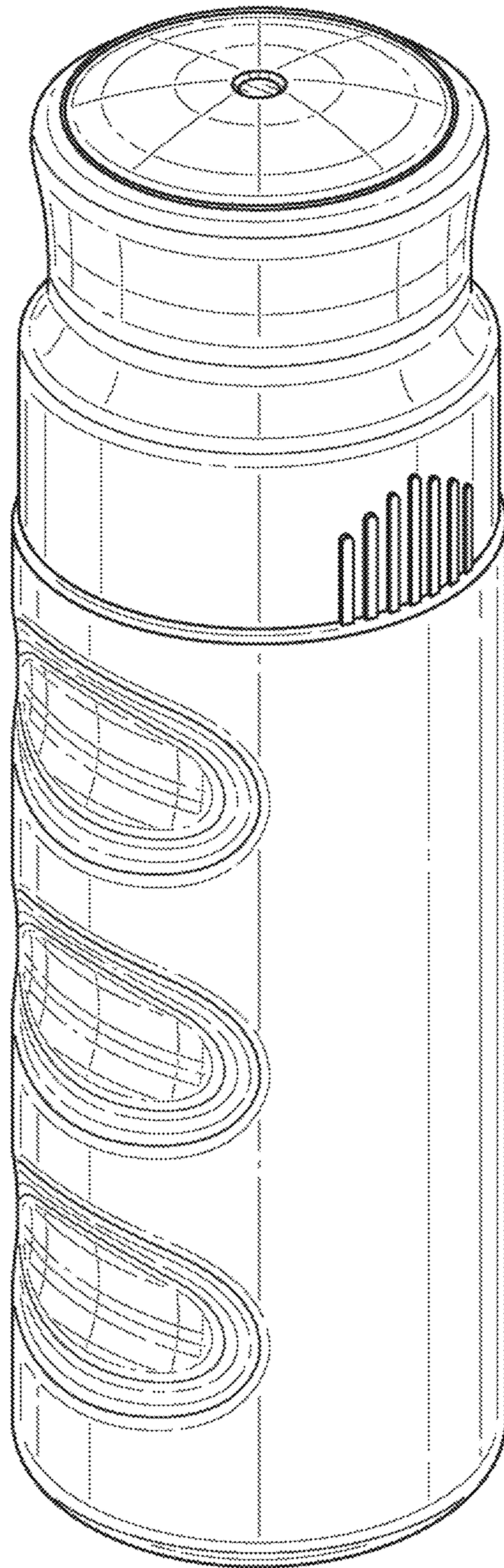
(56)

**References Cited**

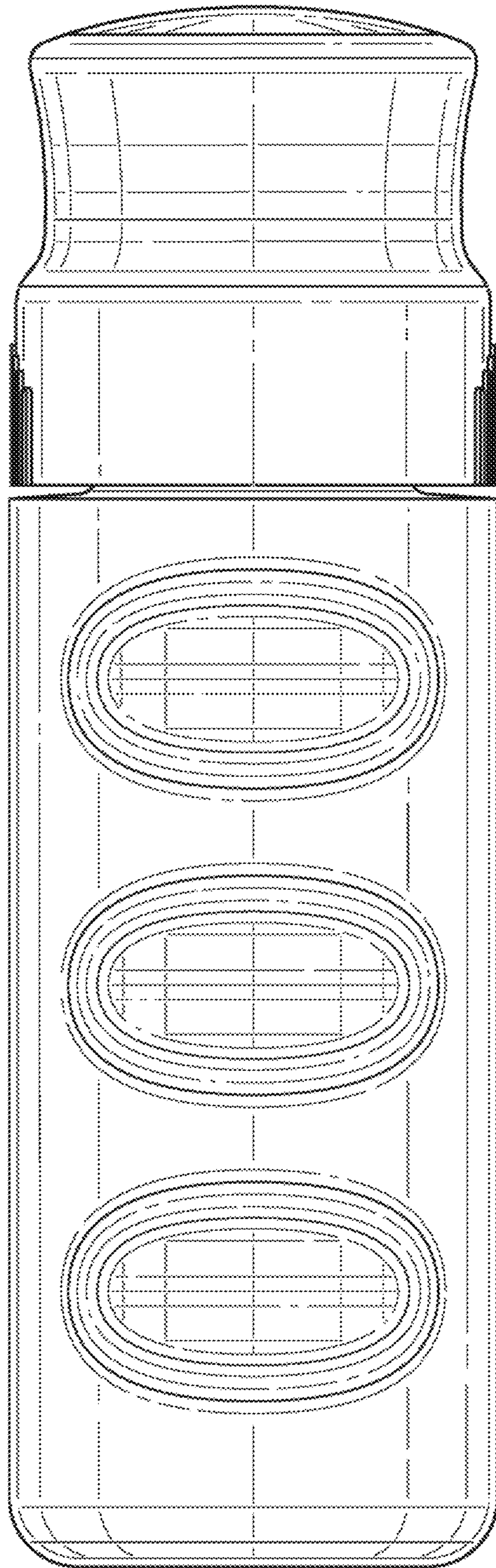
U.S. PATENT DOCUMENTS

D632,186	S	2/2011	Fischer	
D645,763	S	9/2011	Lee	
D655,134	S *	3/2012	Gilbert .....	D9/504
D687,711	S *	8/2013	DeMarco .....	D9/504
D703,054	S *	4/2014	DeMarco .....	D9/504
D725,968	S *	4/2015	George .....	D7/511
D773,938	S	12/2016	Weber	
D783,420	S *	4/2017	Patel .....	D9/729
D808,282	S	1/2018	Weber	
10,005,608	B1 *	6/2018	Jacob .....	B65D 81/3881
D845,132	S *	4/2019	Otani .....	D9/503
D869,290	S *	12/2019	Son .....	D9/503
D899,854	S *	10/2020	Jacob .....	D7/532
D904,198	S *	12/2020	Sanghavi .....	D9/551
2010/0166489	A1	7/2010	Rossi Neto	

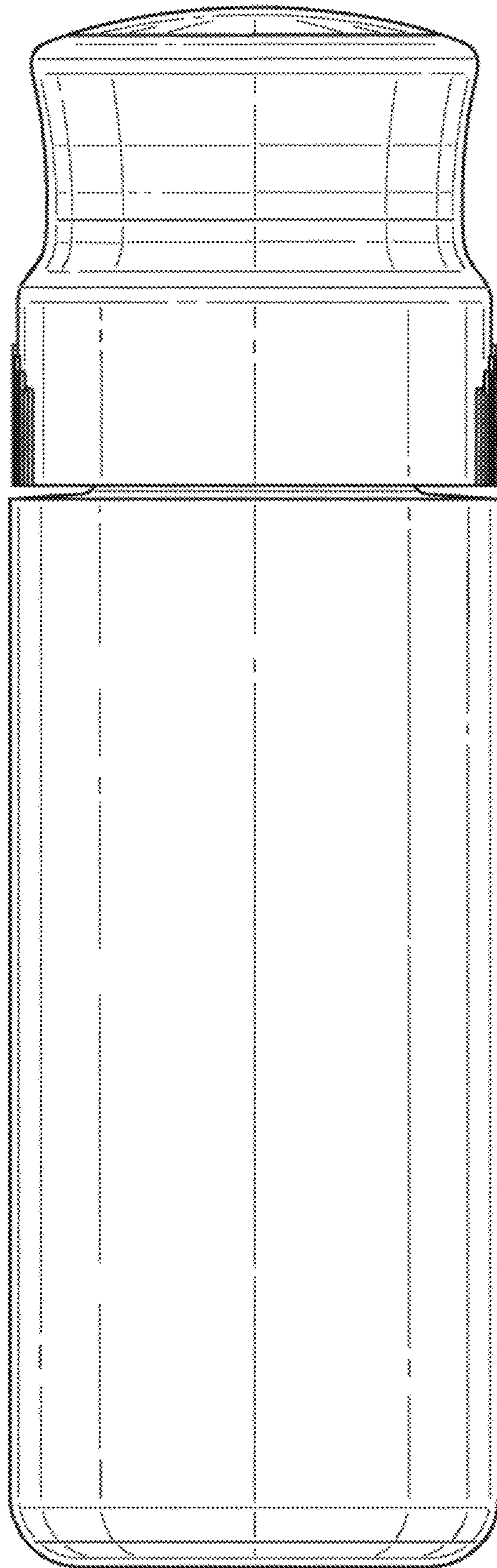
\* cited by examiner



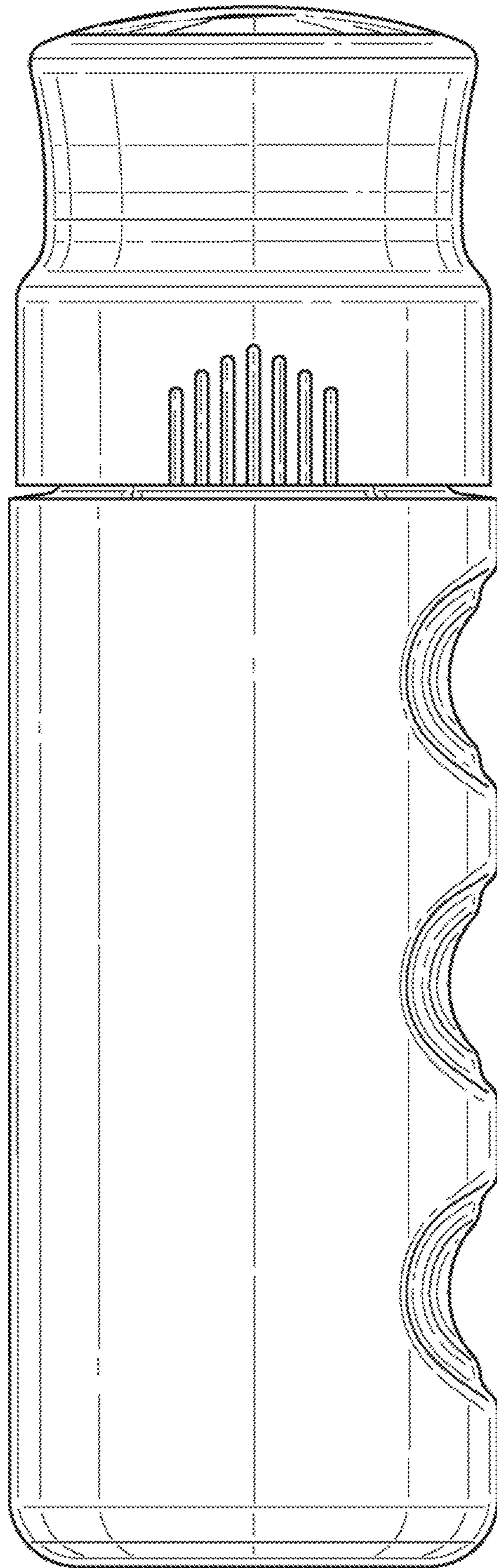
**FIG. 1**



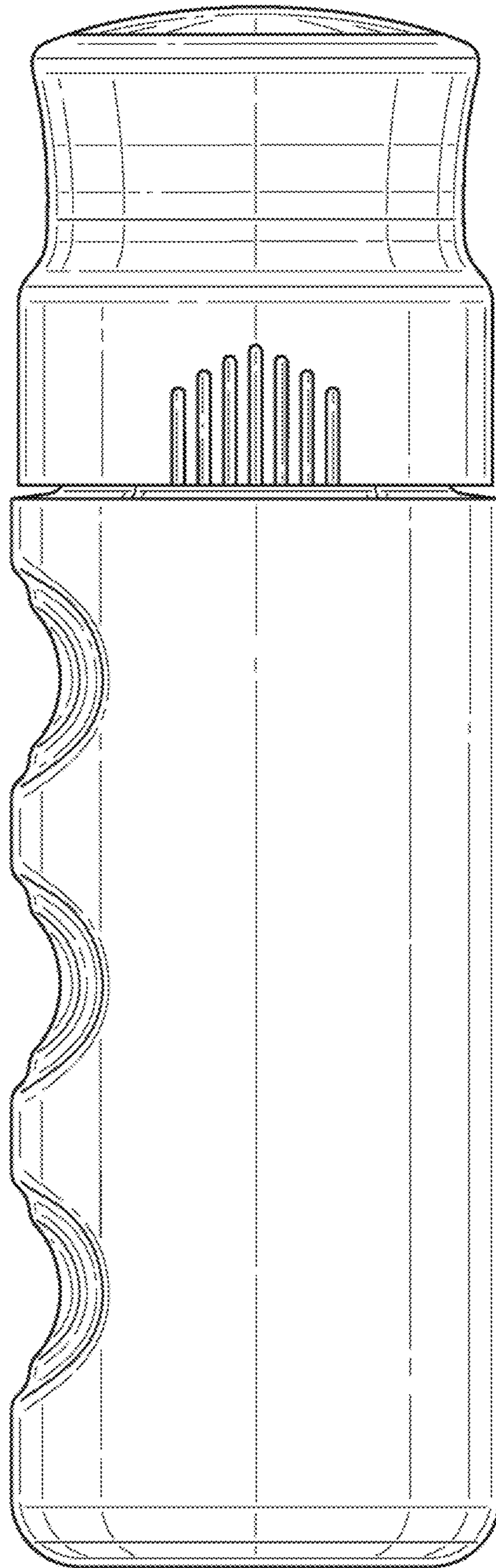
**FIG. 2**



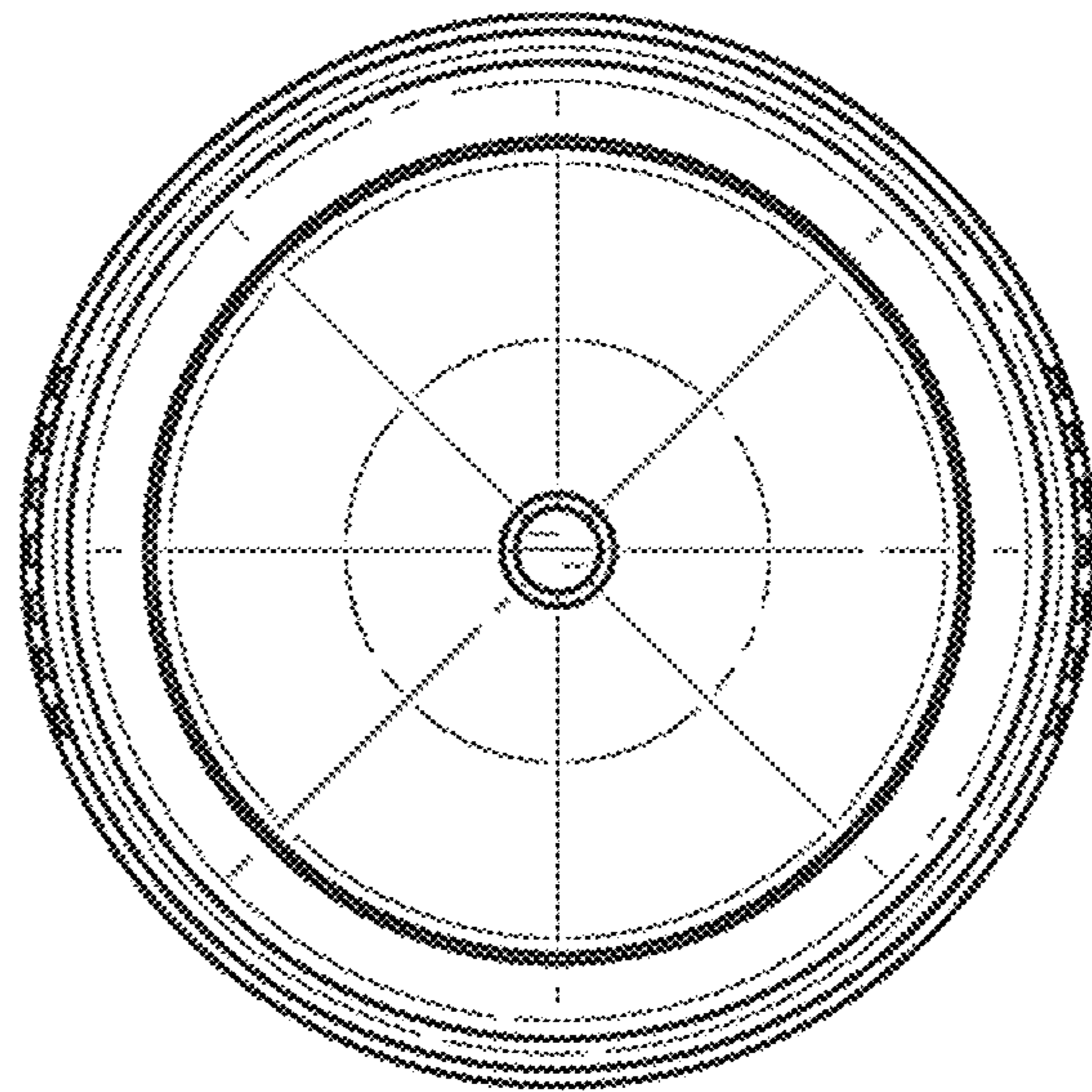
**FIG. 3**



**FIG. 4**

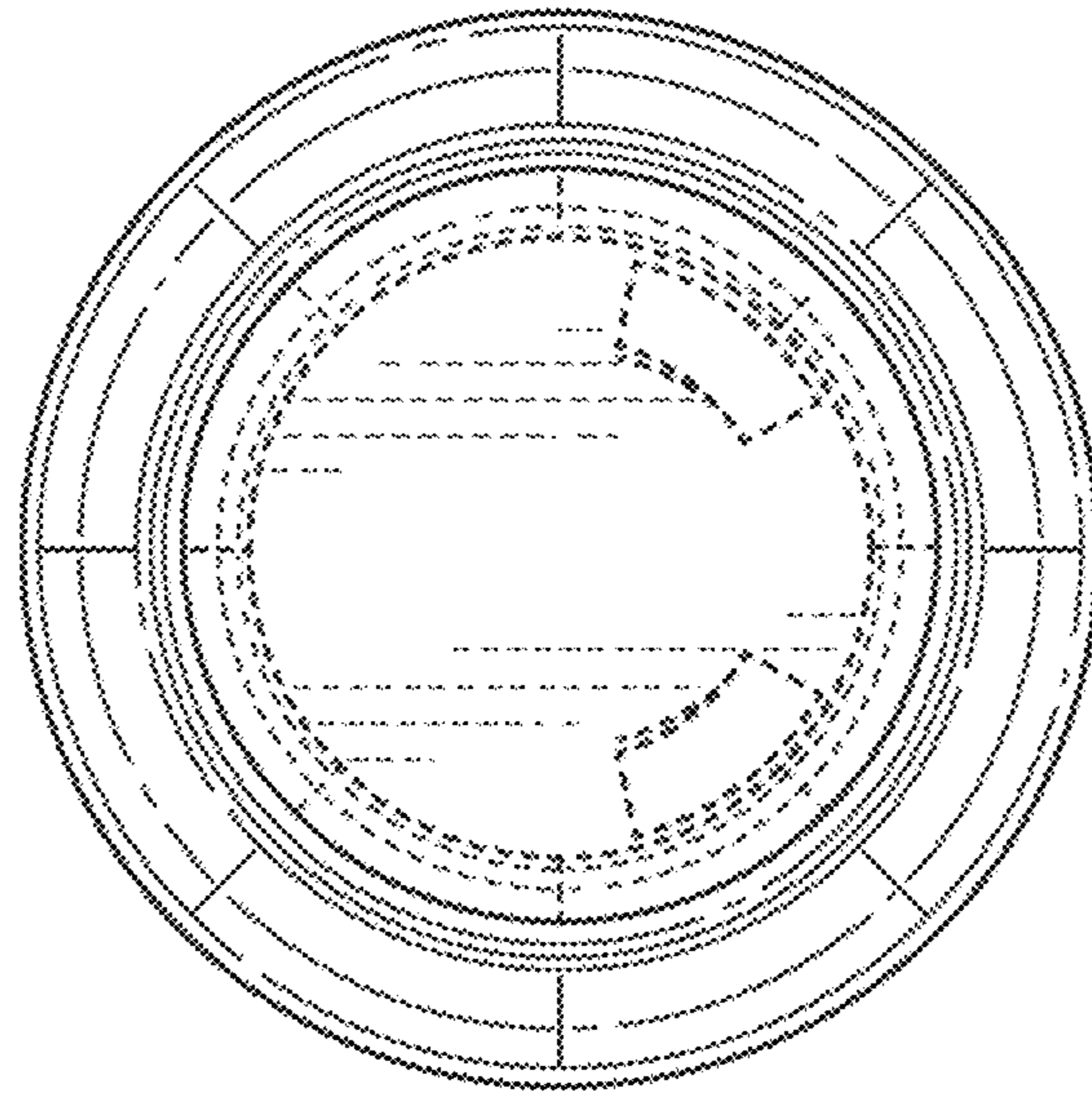


**FIG. 5**

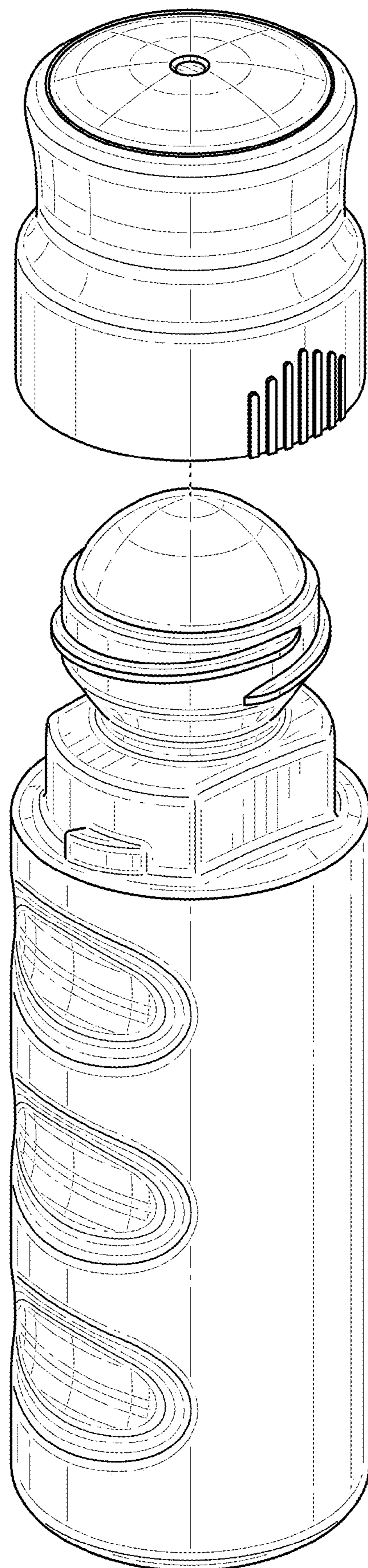


**FIG. 6**





**FIG. 7**



**FIG. 8**