



US00D986746S

(12) **United States Design Patent**
Liao et al.

(10) **Patent No.:** **US D986,746 S**
(45) **Date of Patent:** **** May 23, 2023**

- (54) **AIR COLUMN PACKING BAG**
- (71) Applicant: **KUNSHAN AIRBAG PACKING CORP.**, Kunshan (CN)
- (72) Inventors: **Kao-Hsiung Liao**, New Taipei (TW);
Ping-Yuan Liao, New Taipei (TW);
Ba-Suot Nguyen, New Taipei (TW)
- (**) Term: **15 Years**
- (21) Appl. No.: **29/813,241**
- (22) Filed: **Oct. 27, 2021**
- (51) **LOC (14) Cl.** **09-05**
- (52) **U.S. Cl.**
USPC **D9/703**
- (58) **Field of Classification Search**
USPC D9/702-714, 499, 443, 434, 414-416,
D9/423, 426, 429, 430, 432, 435-436;
D24/118, 121; D3/203.1, 203.2, 303;
206/521-522
CPC B65D 33/24; B65D 33/00; B65D 33/2508;
B65D 33/14; B65D 33/16; B65D
75/5883; B65D 75/08; B65D 75/12;
B65D 75/22; B65D 75/28; B65D 75/008;
B65D 65/00; B65D 65/02; B65D 65/08;
B65D 65/10; B65D 81/02; B65D 81/03;
B65D 81/051; B65D 81/052
See application file for complete search history.

8,770,840 B2 *	7/2014	Liao	B31D 5/0073 383/3
10,696,464 B2 *	6/2020	Liao	B65D 81/052
10,752,419 B2 *	8/2020	Liao	B65D 33/14
11,084,643 B2 *	8/2021	Leiberman	B65D 85/30
11,292,650 B2 *	4/2022	Liao	B65D 81/053
2008/0159659 A1 *	7/2008	Liao	B65D 81/052 383/3
2010/0072103 A1 *	3/2010	Watanabe	B65D 81/052 206/522

* cited by examiner

Primary Examiner — Abraham Bahta
(74) *Attorney, Agent, or Firm* — Li & Cai Intellectual Property (USA) Office

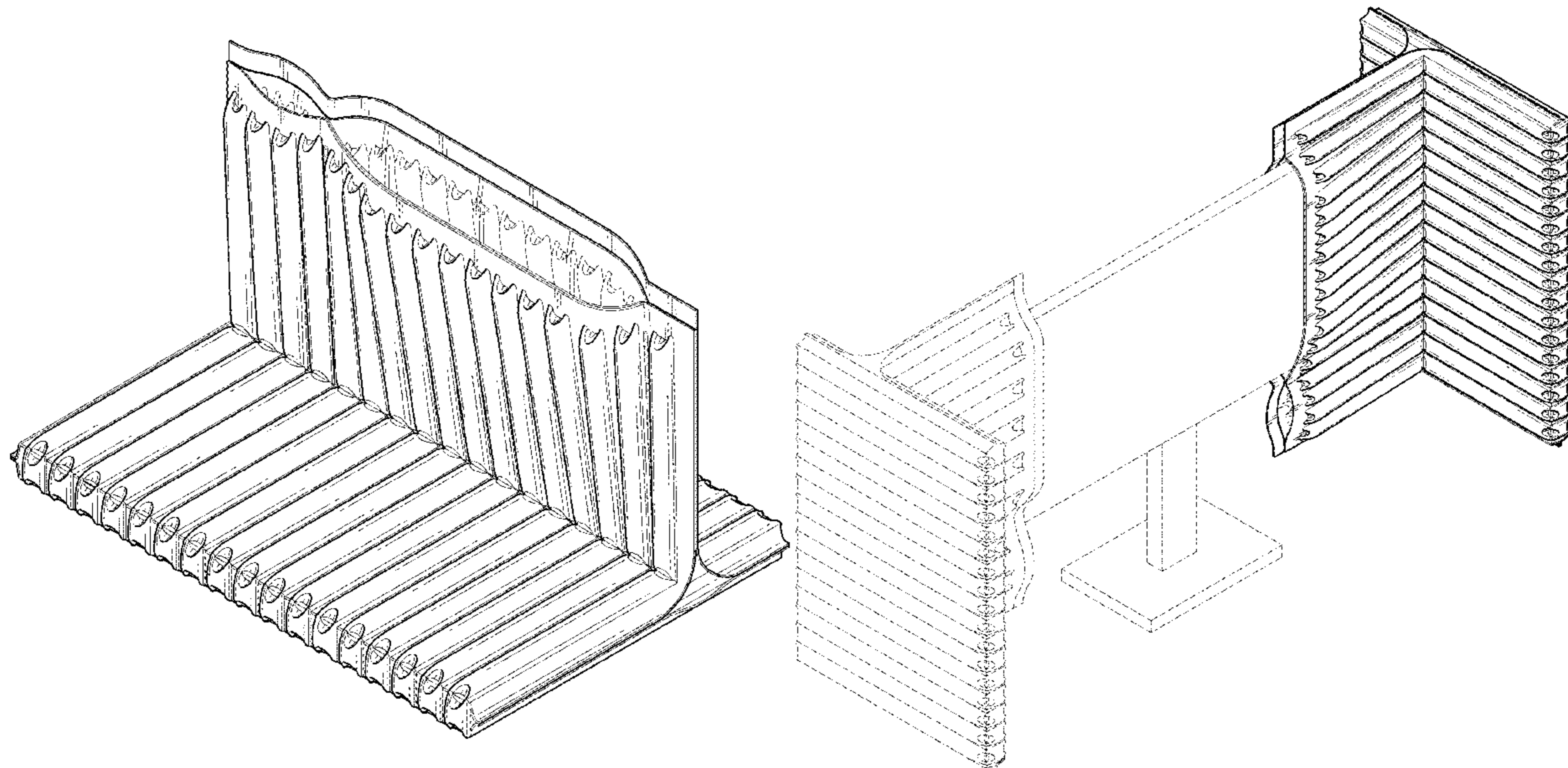
(57) **CLAIM**

The ornamental design for an air column packing bag, as shown and described.

DESCRIPTION

FIG. 1 is a front, right side, bottom perspective view of an air column packing bag showing the claimed design;
 FIG. 2 is a front elevational view thereof;
 FIG. 3 is a rear elevational view thereof;
 FIG. 4 is a left side elevational view thereof;
 FIG. 5 is a right side elevational view thereof;
 FIG. 6 is a top plan view thereof;
 FIG. 7 is a bottom plan view thereof;
 FIG. 8 is a front, right side, bottom partially cross-sectional perspective view thereof showing an inner suspended bag;
 and,
 FIG. 9 is a packing reference perspective view thereof, showing a monitor being packed between two air column packing bags.
 The dashed broken lines in FIG. 9 depict environment that forms no part of the claimed design.

1 Claim, 9 Drawing Sheets



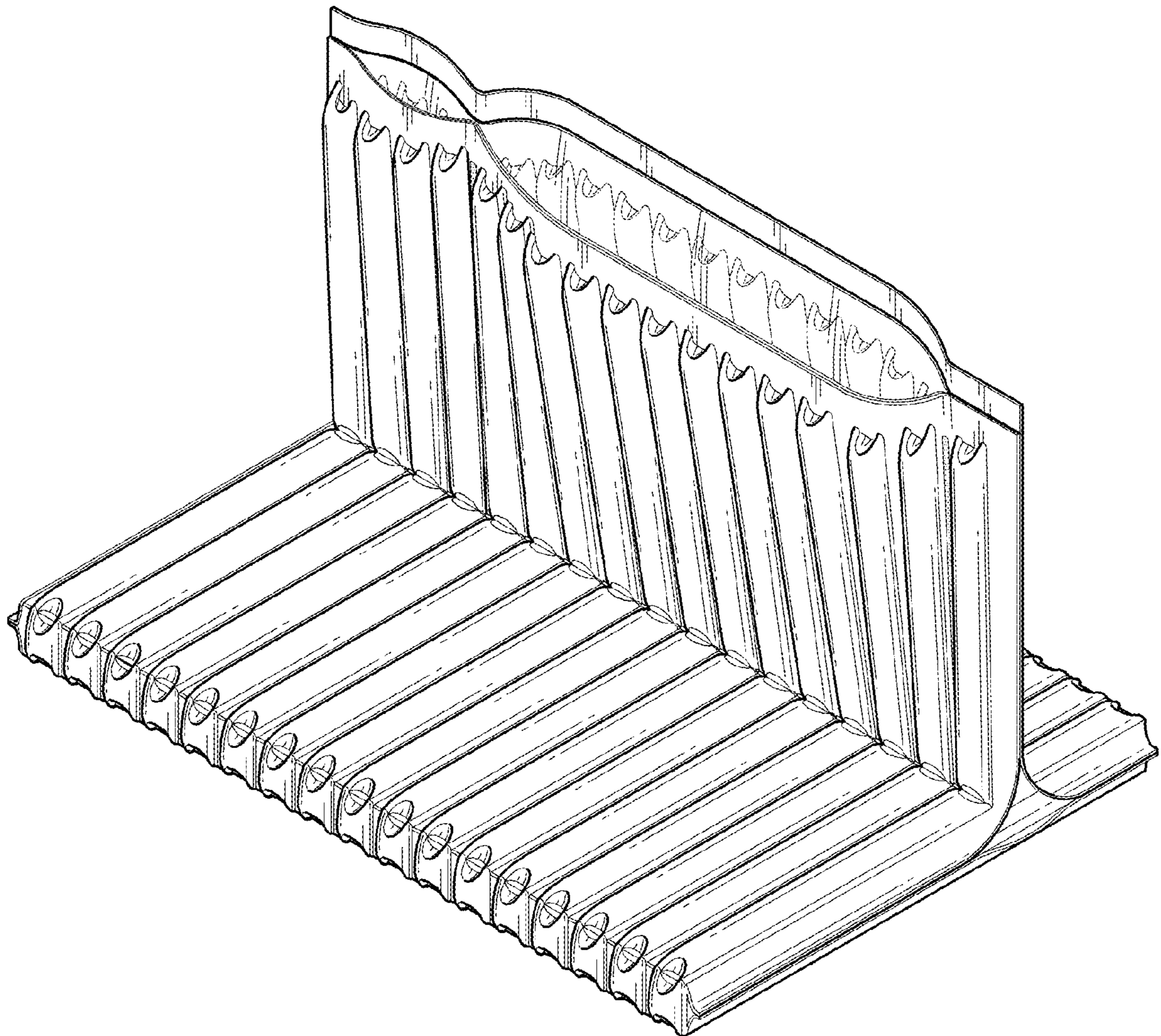


FIG. 1

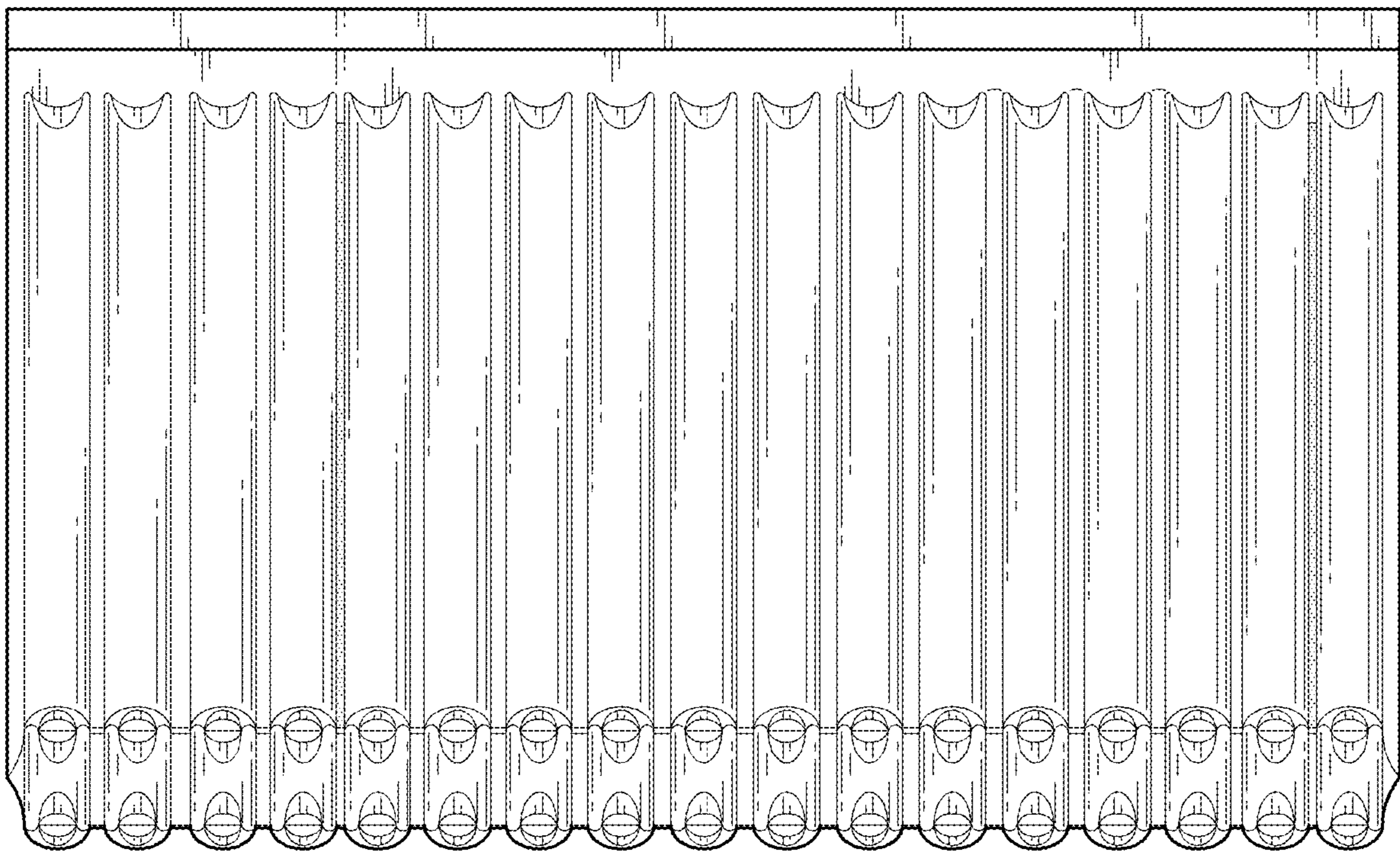


FIG. 2

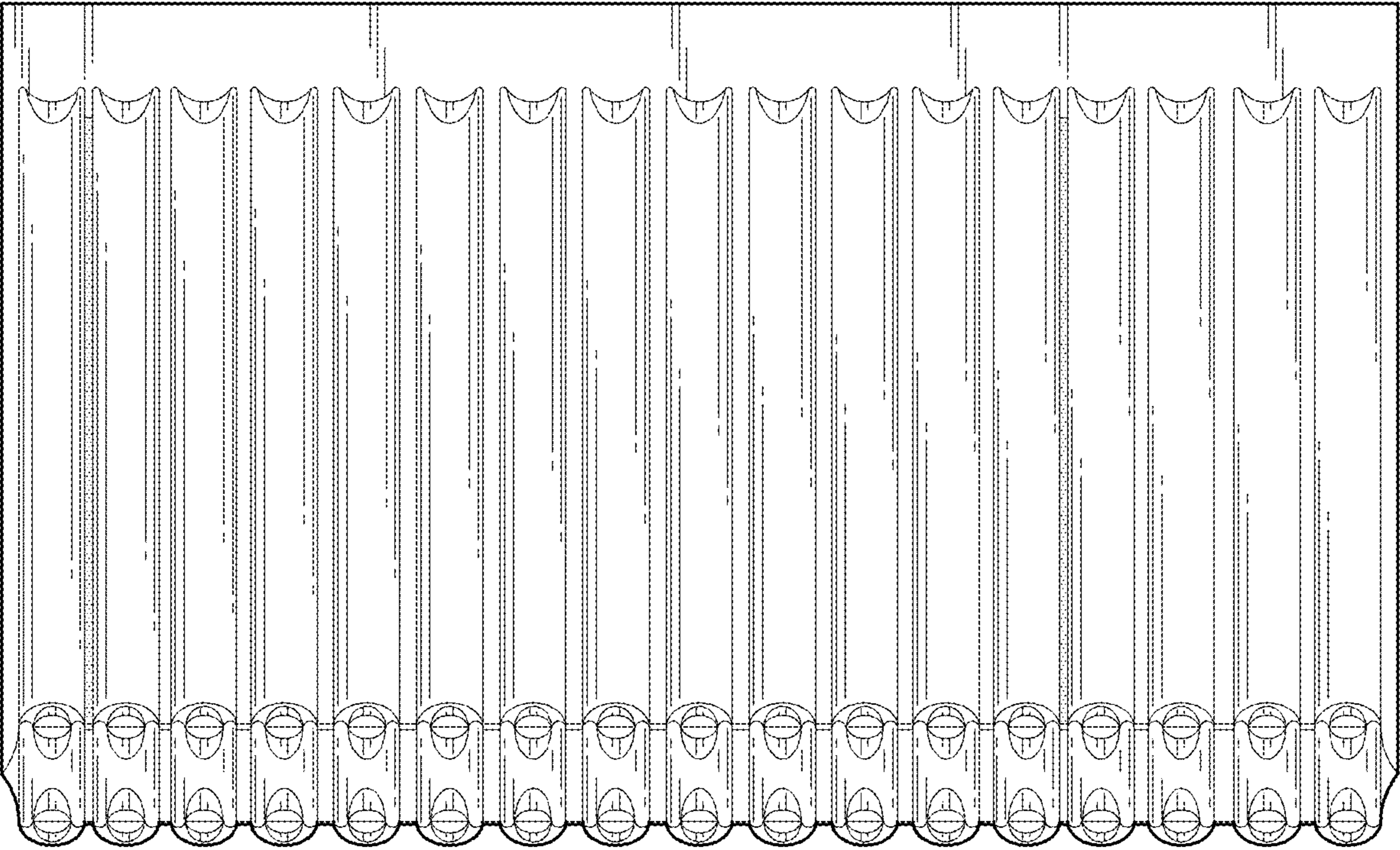


FIG. 3

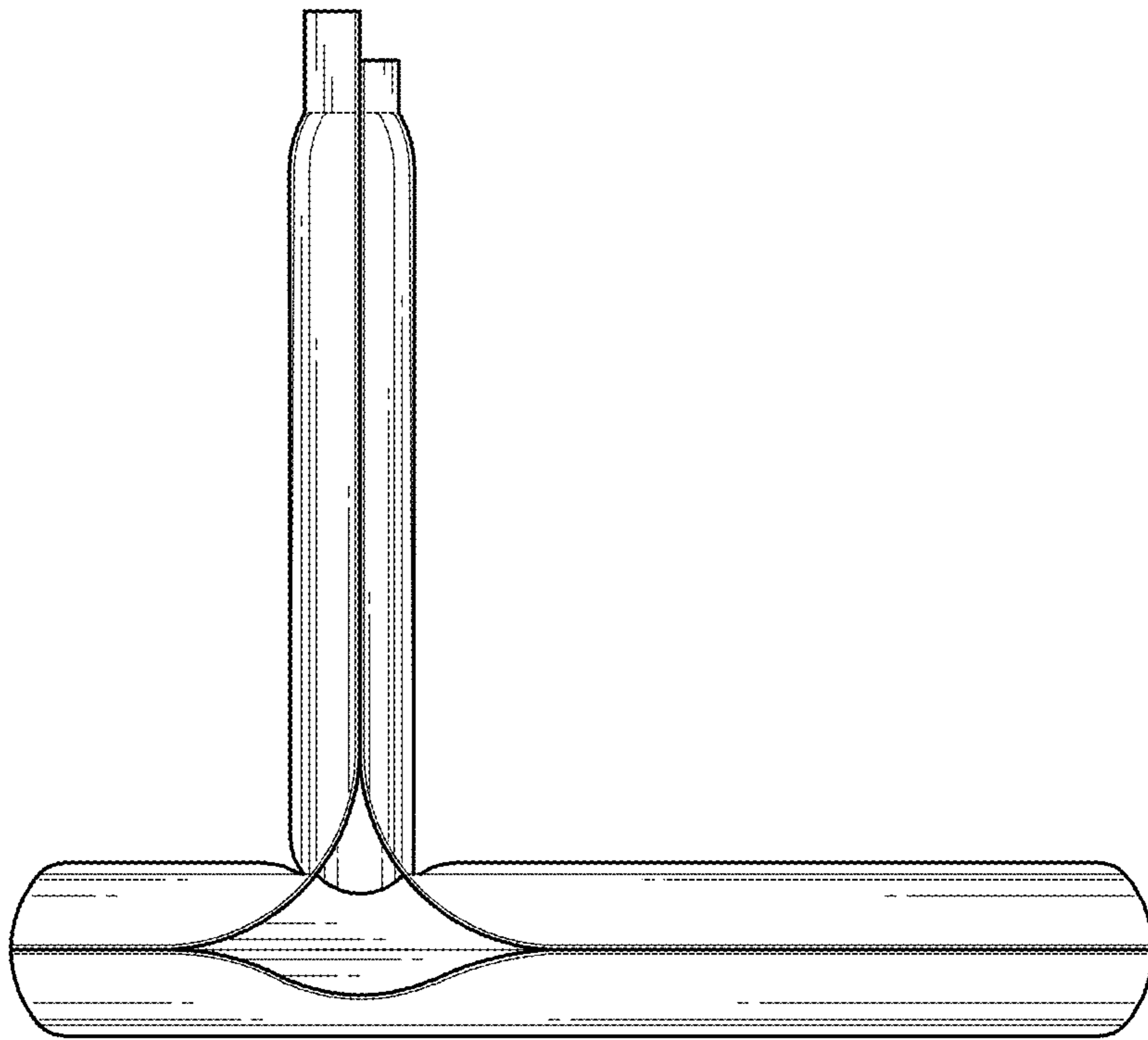


FIG. 4

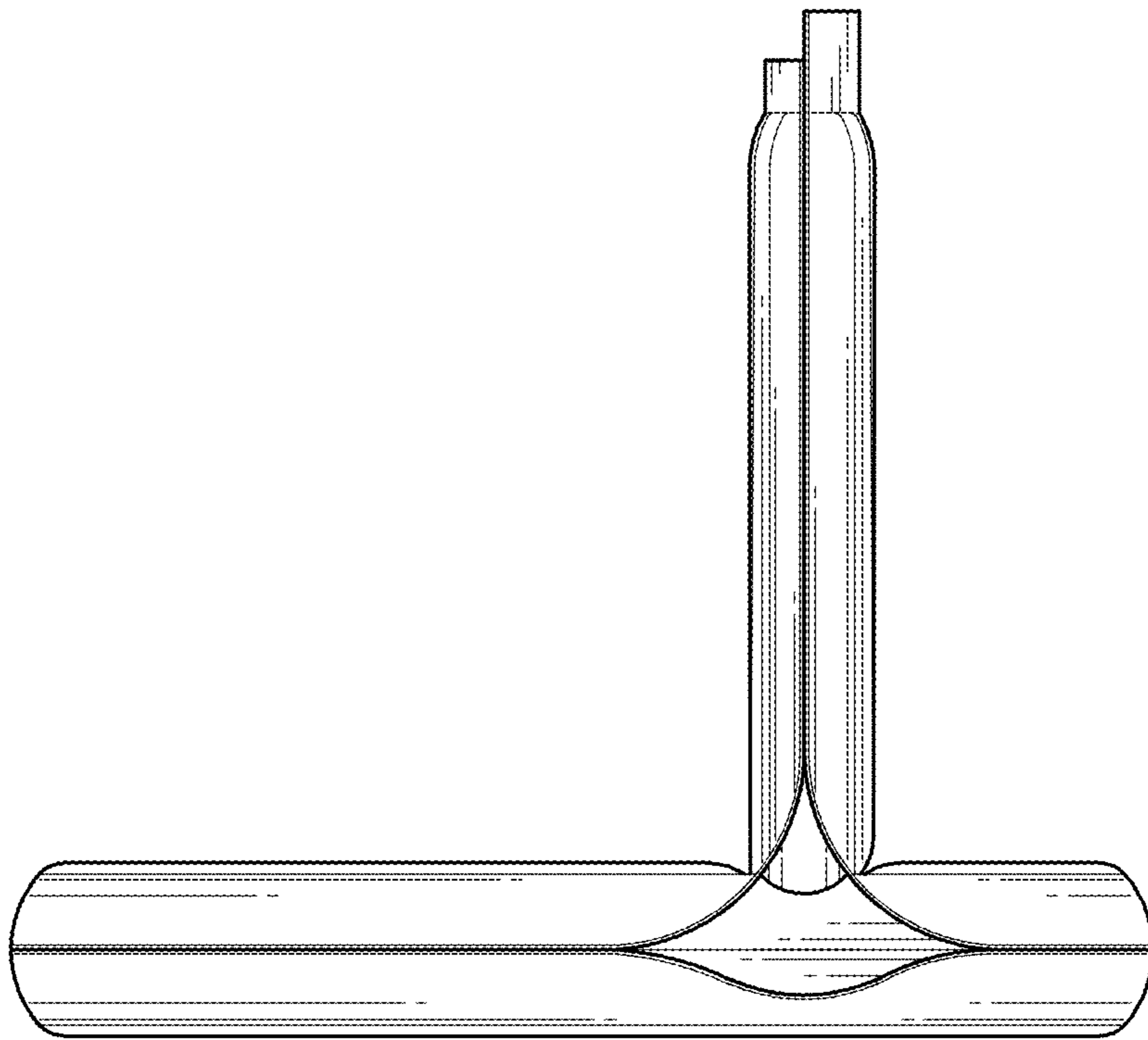


FIG. 5

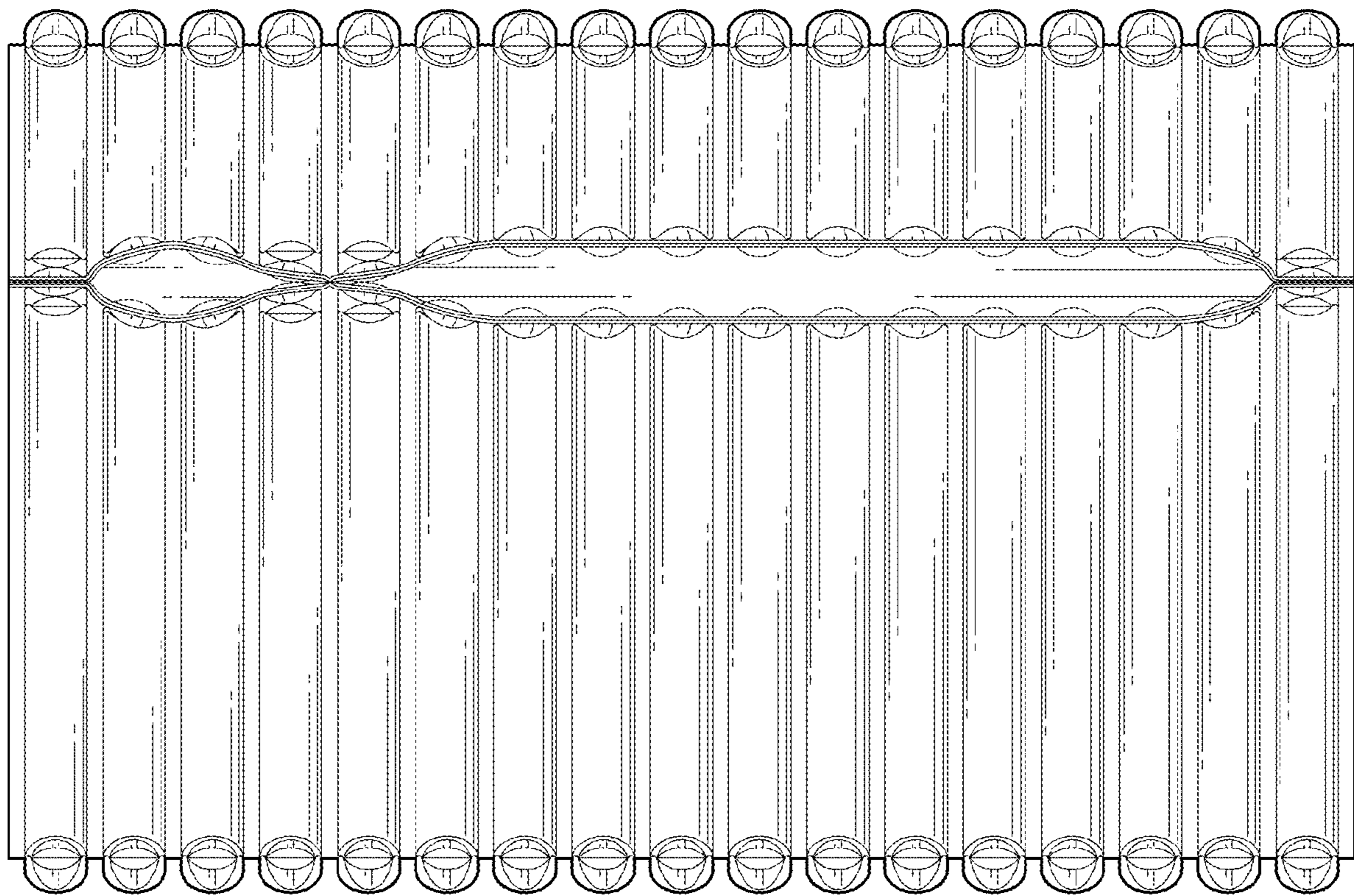


FIG. 6

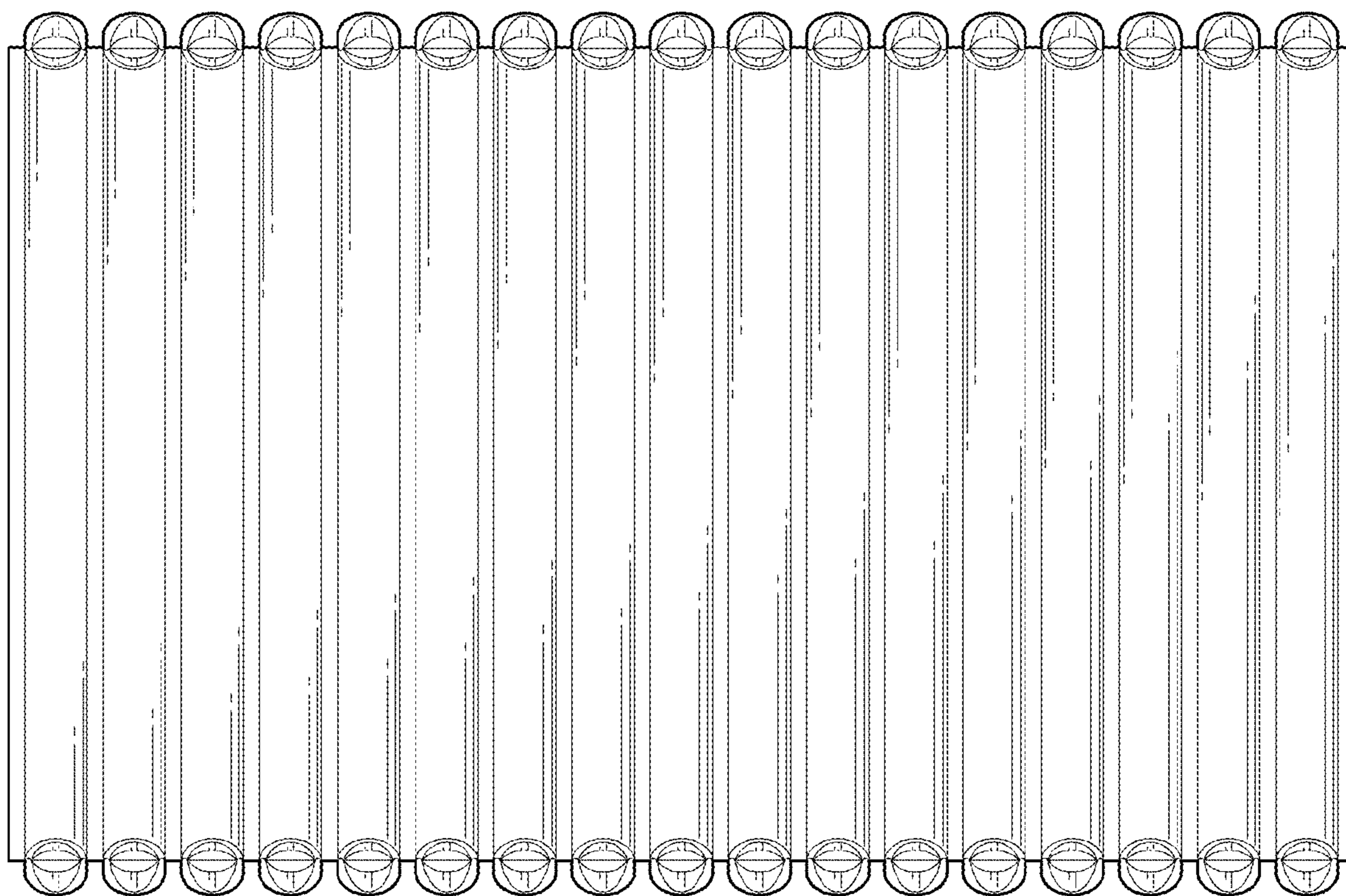


FIG. 7

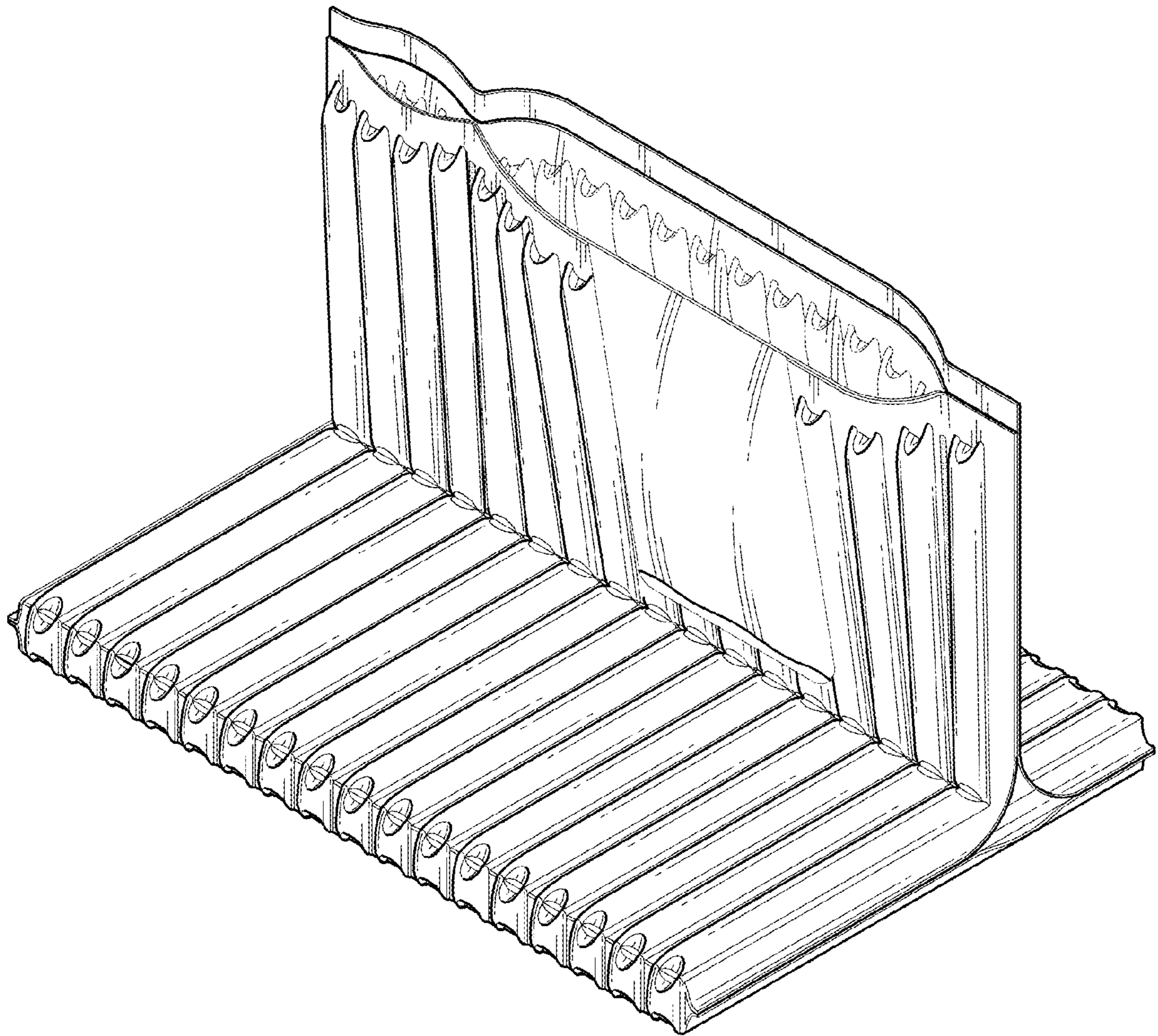


FIG. 8

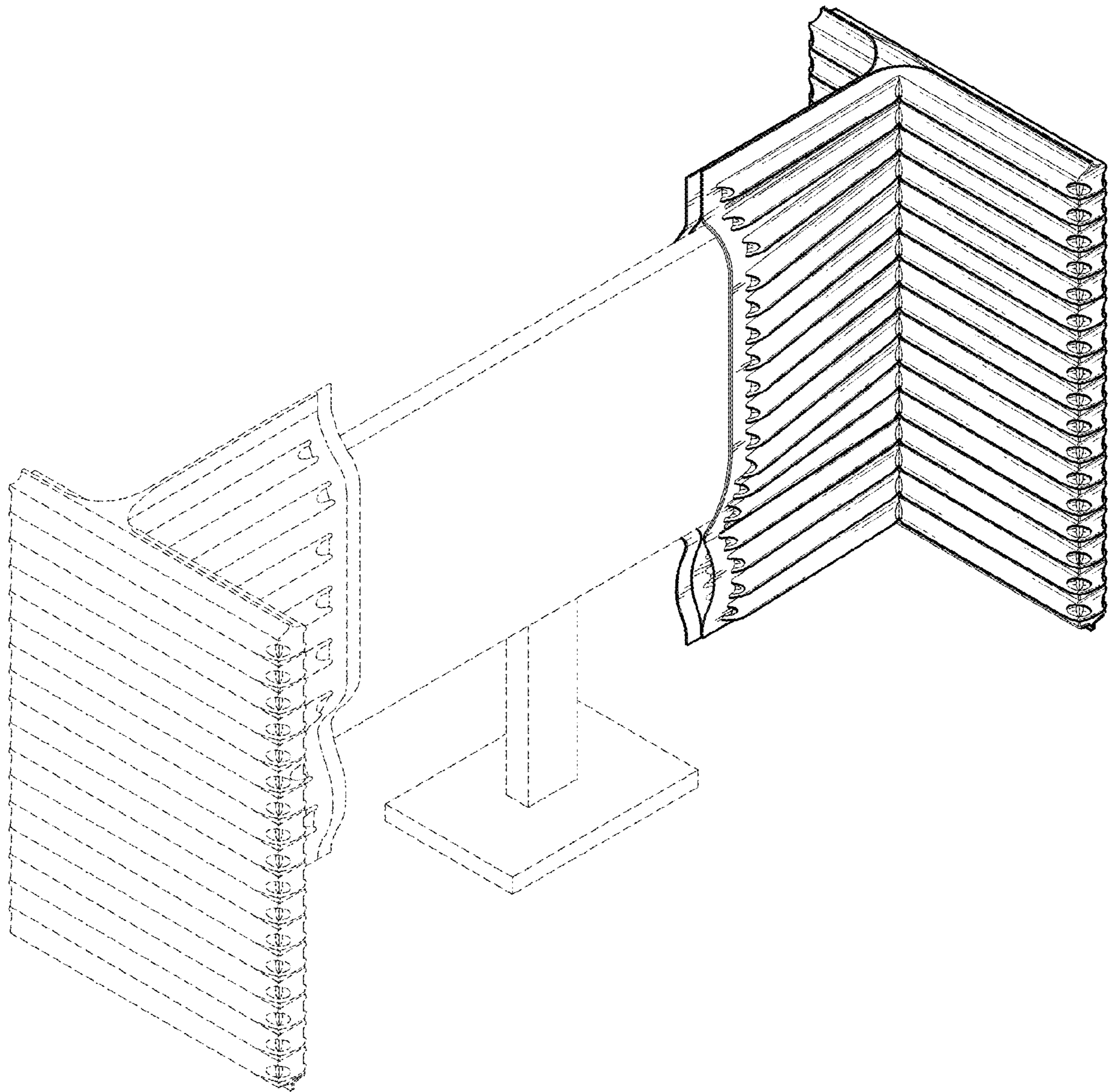


FIG. 9