



US00D986744S

(12) **United States Design Patent** (10) **Patent No.:** **US D986,744 S**
Kurtin et al. (45) **Date of Patent:** **** *May 23, 2023**

- (54) **STORAGE BAG** 8,146,763 B2 * 4/2012 Turvey B65D 11/186
220/666
- (71) Applicants: **Roger Thomas Kurtin**, Houston, TX D661,900 S * 6/2012 Krotts D3/305
(US); **Diana Ya-Wen Wang**, Houston, TX (US) D721,232 S * 1/2015 Krotts D3/305
D739,656 S * 9/2015 Krotts D3/305
D780,263 S * 2/2017 Greenspon D19/90
D915,700 S * 4/2021 Chang Chien D32/37
D950,391 S * 5/2022 Kurtin D9/703
D953,171 S * 5/2022 Kurtin D9/703
- (72) Inventors: **Roger Thomas Kurtin**, Houston, TX 2002/0126920 A1 * 9/2002 Mogil A45C 7/0077
383/110
- (*) Notice: This patent is subject to a terminal disclaimer. 2007/0071370 A1 * 3/2007 Schneider B65D 33/08
383/17
2017/0210512 A1 * 7/2017 Fulton A45C 13/1023

(**) Term: **15 Years**

(21) Appl. No.: **29/748,857**

(22) Filed: **Sep. 1, 2020**

(51) **LOC (14) Cl.** **09-05**

(52) **U.S. Cl.**
USPC **D9/703**

(58) **Field of Classification Search**
USPC D3/304, 305, 307, 309-314, 319, 323;
D7/560-562; D9/702-714, 719,
D9/738-740, 517-518, 522, 416, 435,
D9/444, 460, 455, 414, 499, 431-432
CPC A45C 7/0077; A45C 3/04; A45C 3/10;
B65D 43/0218; B65D 33/02; B65D
33/00; B65D 33/06; B65D 33/065; B65D
33/14; B65D 33/1683; B65D 33/12;
B65D 33/24; B65D 31/00; B65D 31/04;
B65D 31/10; D06F 95/002
See application file for complete search history.

(56) **References Cited**

U.S. PATENT DOCUMENTS

- D487,347 S * 3/2004 Felsenthal D3/305
- D612,117 S * 3/2010 Krotts D32/36
- D625,891 S * 10/2010 Krotts D32/36

FOREIGN PATENT DOCUMENTS

- CN 112239007 A * 1/2021 B65D 31/08
- CN 112707027 A * 4/2021 B01L 1/50

* cited by examiner

Primary Examiner — Mary Shannon Malley
Assistant Examiner — Christopher John Suarez La Rosa
(74) *Attorney, Agent, or Firm* — Whittaker Law Firm;
Malcolm E. Whittaker

(57) **CLAIM**

The ornamental design for a storage bag, as shown and described.

DESCRIPTION

FIG. 1 is a perspective view of a storage bag.
FIG. 2 is a top view of the storage bag.
FIG. 3 is a left side view of the storage bag.
FIG. 4 is a front view of the storage bag.
FIG. 5 is a bottom view of the storage bag.
FIG. 6 is a right side view of the storage bag; and,
FIG. 7 is a rear view of the storage bag.
The broken lines depict surface ornamentation that form part of the claimed design.

1 Claim, 3 Drawing Sheets

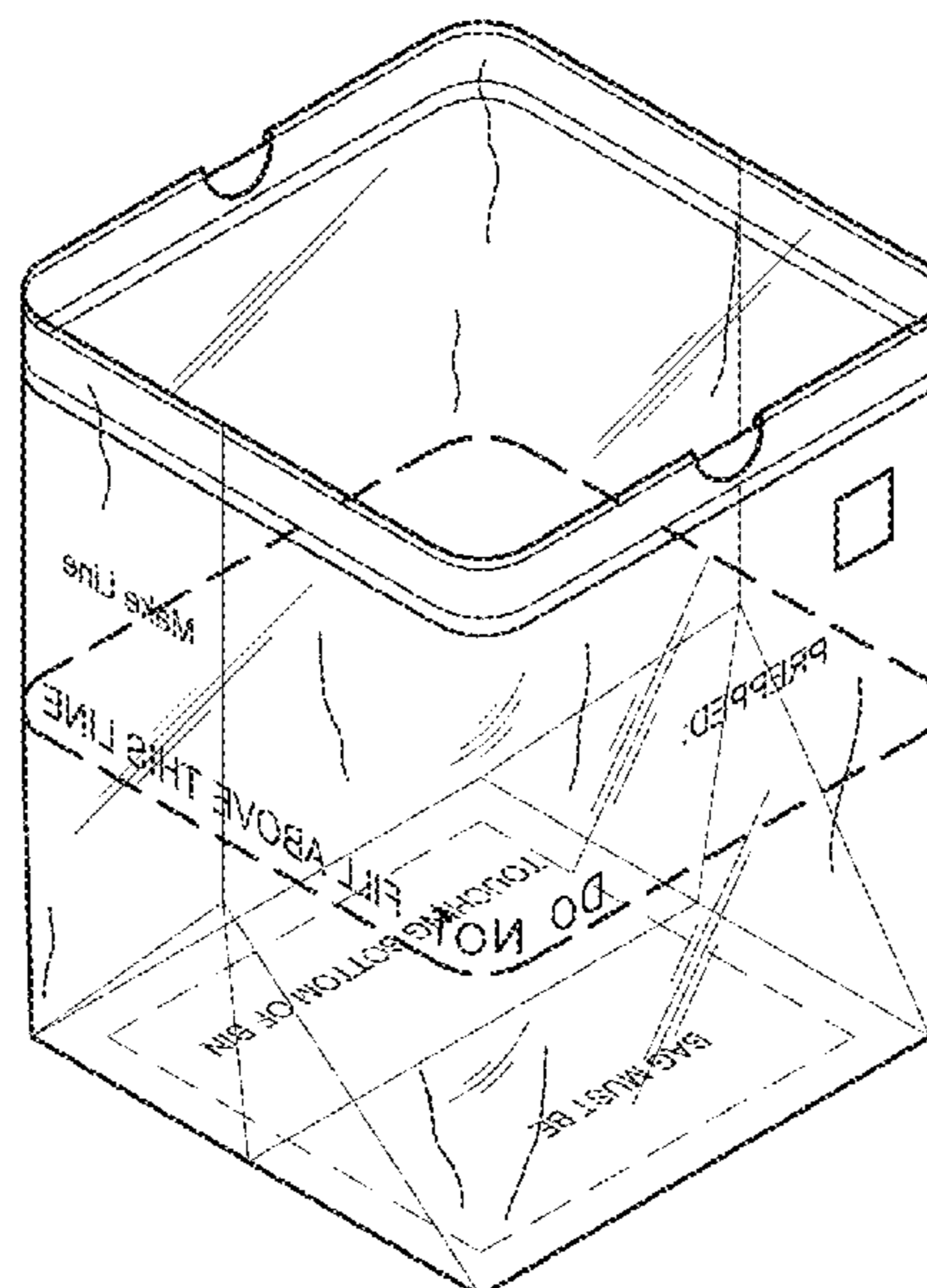


FIG. 1

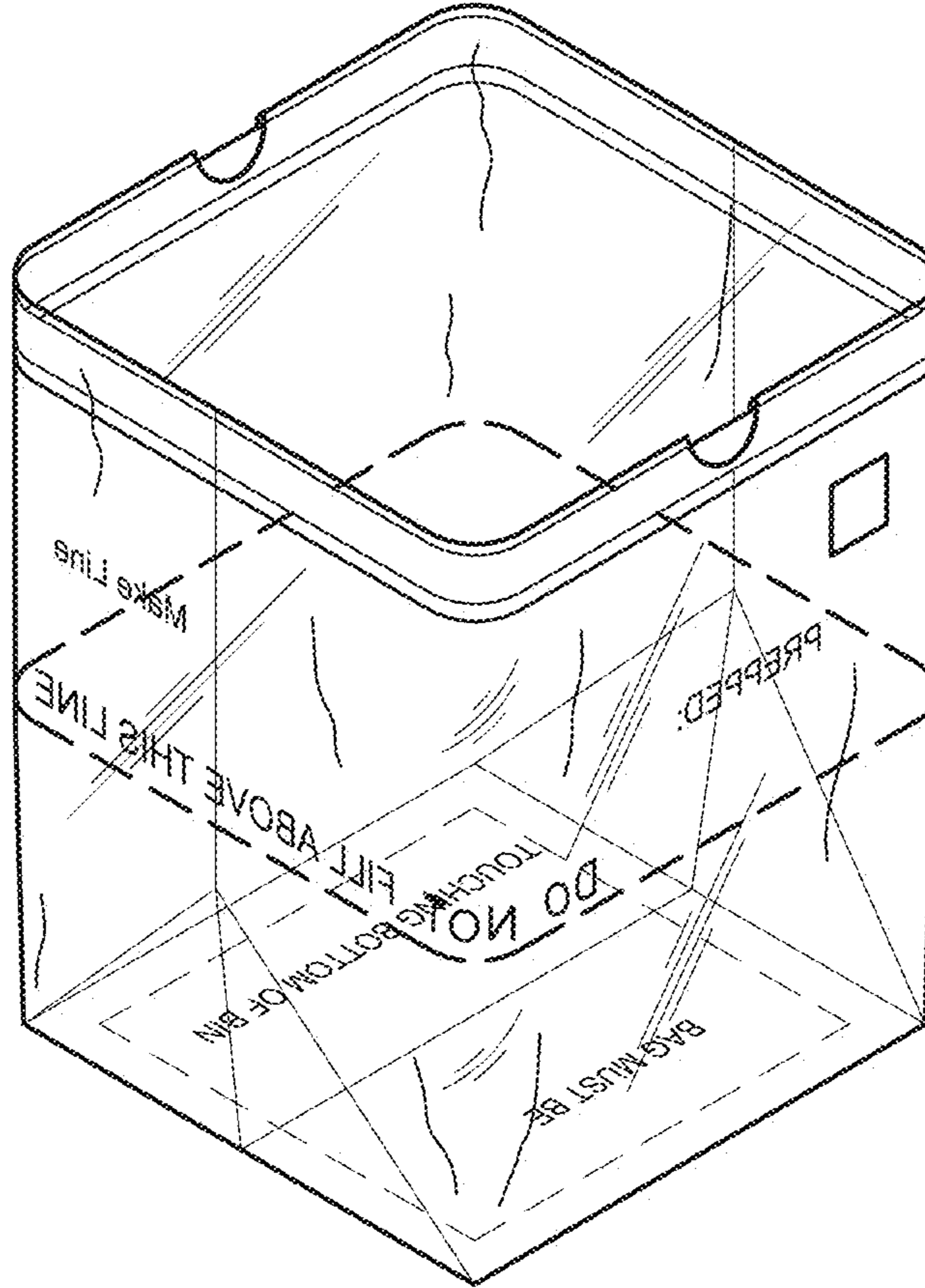


FIG. 2

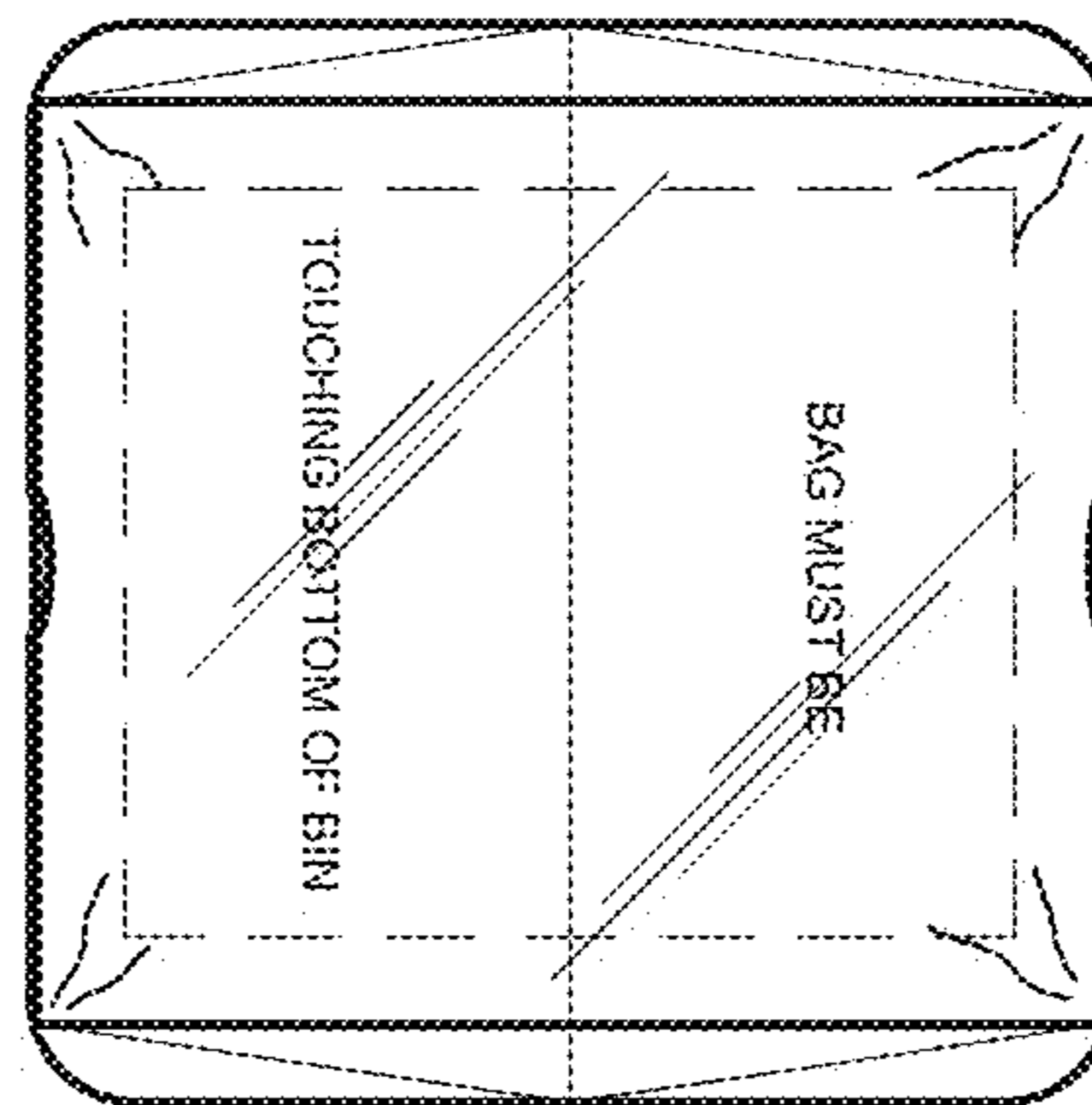


FIG. 3

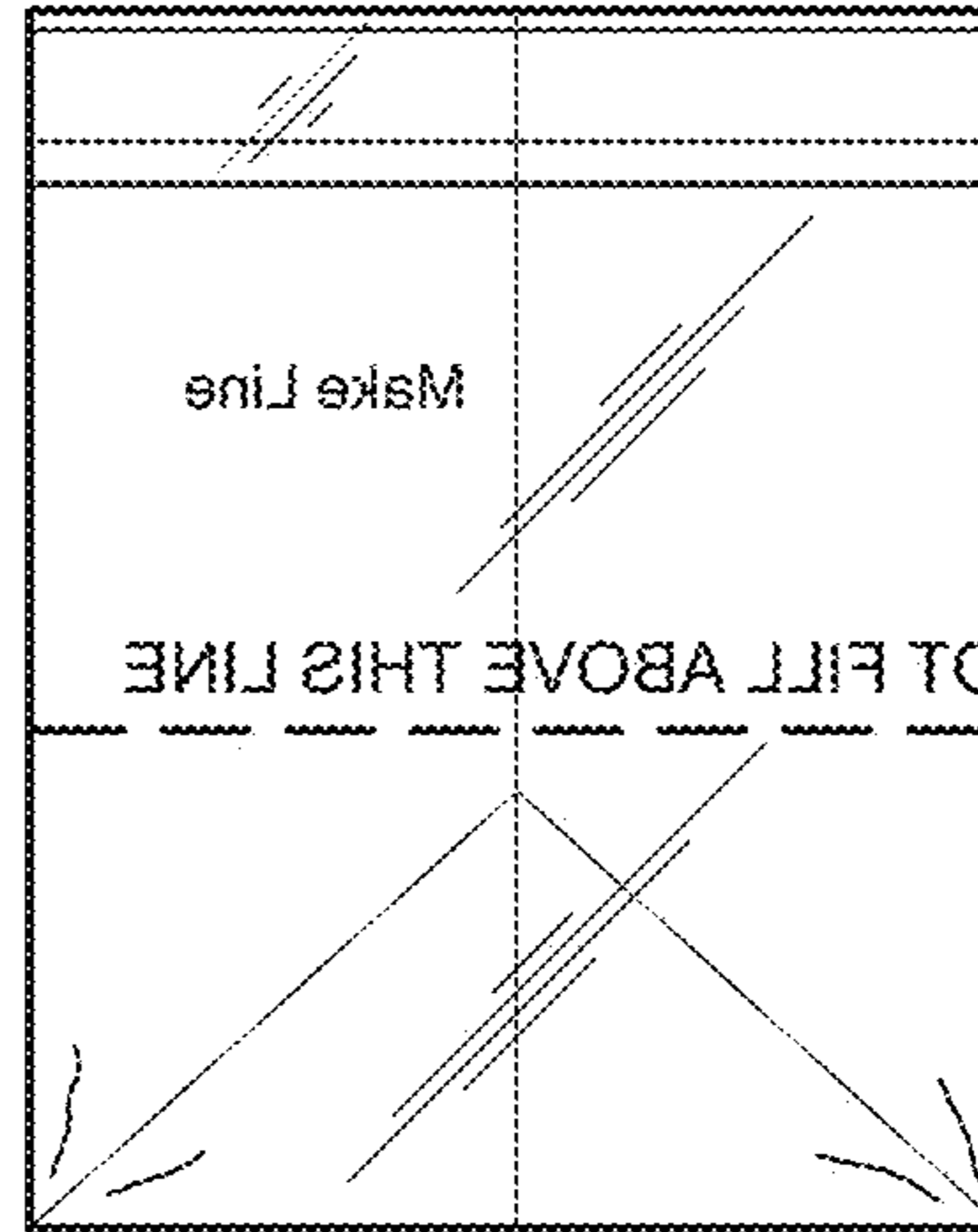


FIG. 4

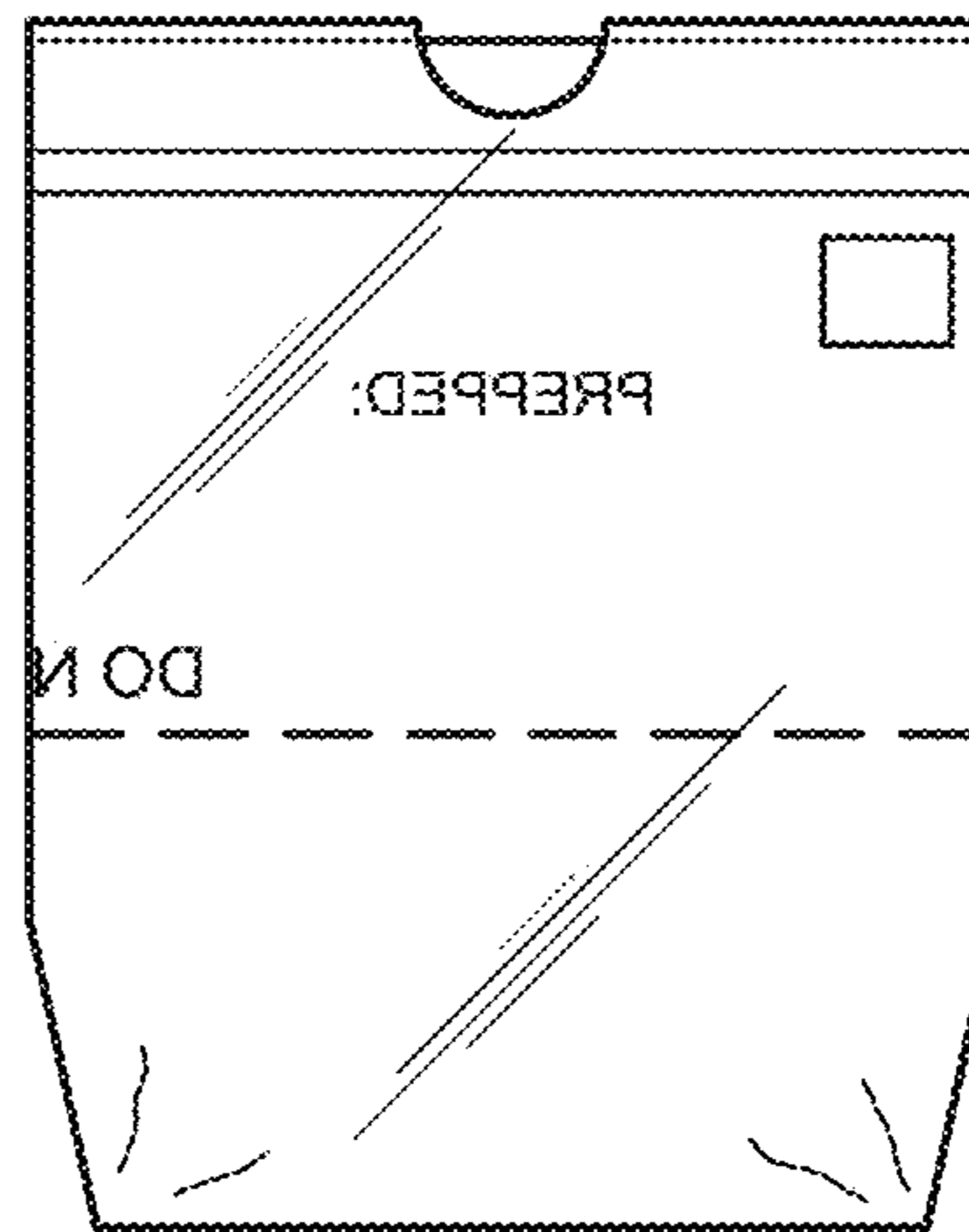


FIG. 5

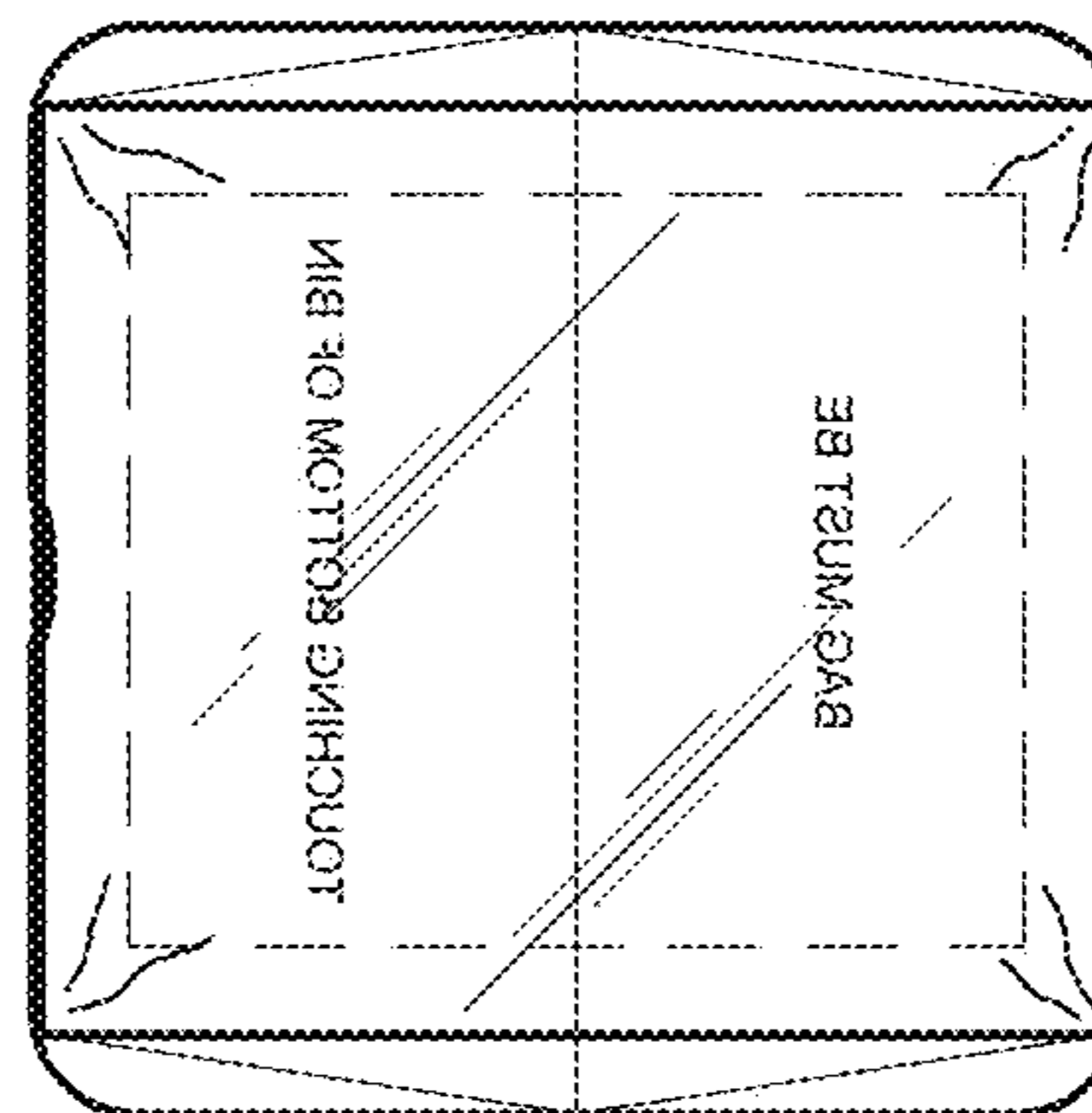


FIG. 6

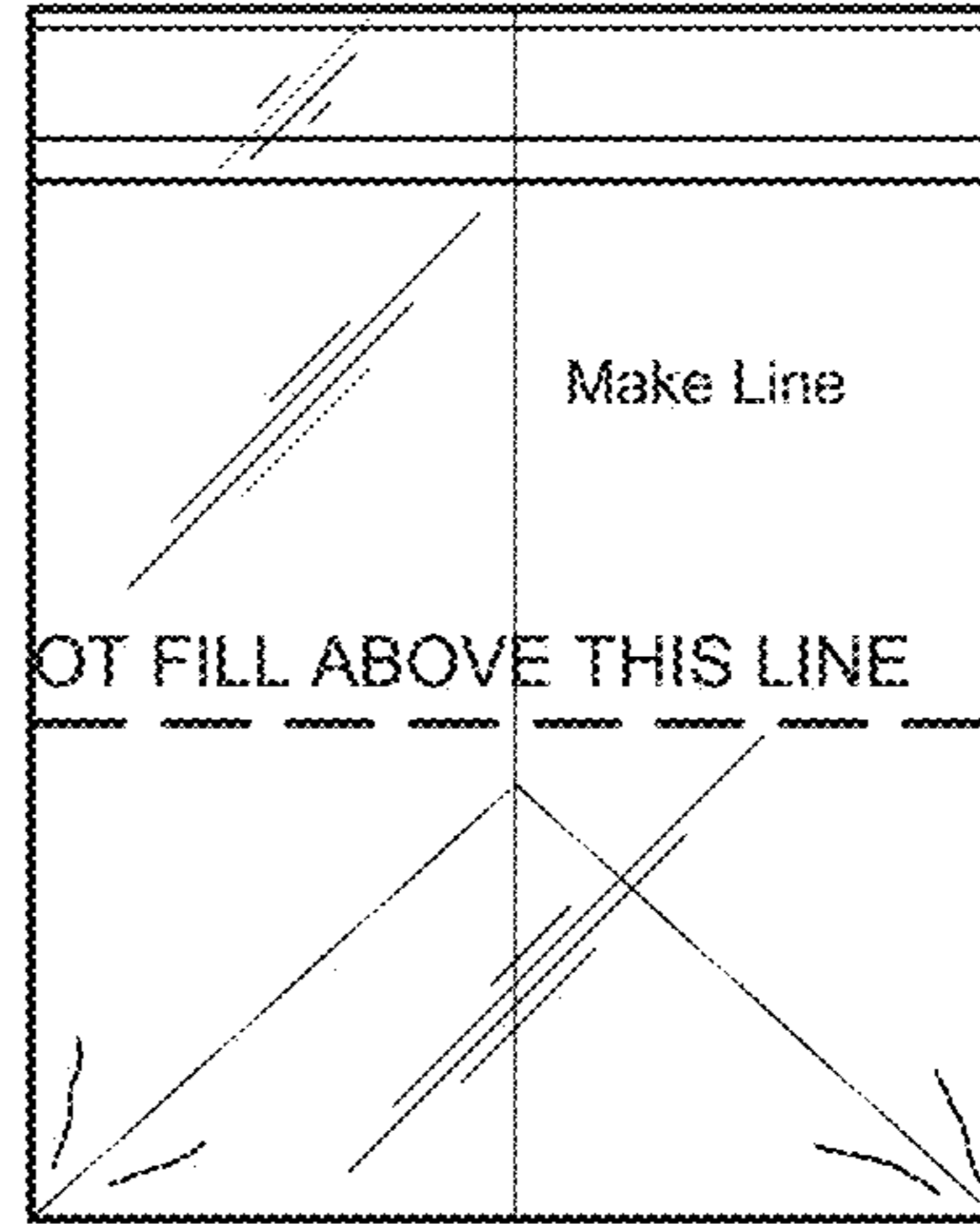


FIG. 7

