



US00D986742S

(12) **United States Design Patent** (10) **Patent No.:** **US D986,742 S**
Chen (45) **Date of Patent:** **** May 23, 2023**

(54) **COSMETIC BOTTLE**

(71) Applicant: **Jing Chen**, Guangdong (CN)

(72) Inventor: **Jing Chen**, Guangdong (CN)

(**) Term: **15 Years**

(21) Appl. No.: **29/869,526**

(22) Filed: **Jan. 3, 2023**

(51) **LOC (14) Cl.** **09-01**

(52) **U.S. Cl.**

USPC **D9/549**; D28/7

(58) **Field of Classification Search**

USPC D9/686, 503, 504, 505, 521, 529, 549;
D28/76, 77, 85, 86, 87, 88, 89, 90, 82, 4,
D28/7

CPC A46B 17/04; A46B 11/0041; A46B
2200/1046; A45D 40/06; A45D 40/00;
A45D 34/06; A45D 34/045; A45D 34/042

See application file for complete search history.

(56) **References Cited**

U.S. PATENT DOCUMENTS

D268,097 S *	3/1983	Thompson	D9/558
D337,272 S *	7/1993	Joo	D9/504
D373,536 S *	9/1996	Kokenge	D9/529
D400,784 S *	11/1998	Cummings	D9/686
D414,423 S *	9/1999	Lerolle	D9/529
D532,936 S *	11/2006	Bakic	D9/504
D533,966 S *	12/2006	Bakic	D28/76
7,419,323 B1 *	9/2008	Zhang	A46B 17/04 401/269
D617,051 S *	6/2010	Pires	D28/76
D830,197 S *	10/2018	Villarreal	D9/724
D845,132 S	4/2019	Otani		
D857,517 S *	8/2019	Lee	D9/686

FOREIGN PATENT DOCUMENTS

CN 306775266 * 5/2021

OTHER PUBLICATIONS

White round oval clear lipstick tube private label custom lip gloss empty lip balm tube container fashion chapstick, by Alibaba.com, Published N/A, Retrieved on Feb. 3, 2023 from URL:https://www.alibaba.com/product-detail/Hot-sale-white-round-oval-clear_1600174977332.html (Year: 2023).*
Sisley Stylo Lumiere N° 3 Soft Beige,by tradeinn.com, Published N/A,Retrieved on Feb. 7, 2023 from URL:https://www.tradeinn.com/dressinn/en/sisley-stylo-lumiere-n-3-soft-beige/137865156/p (Year: 2023).*

* cited by examiner

Primary Examiner — Jae Liang

Assistant Examiner — Royner Mendoza

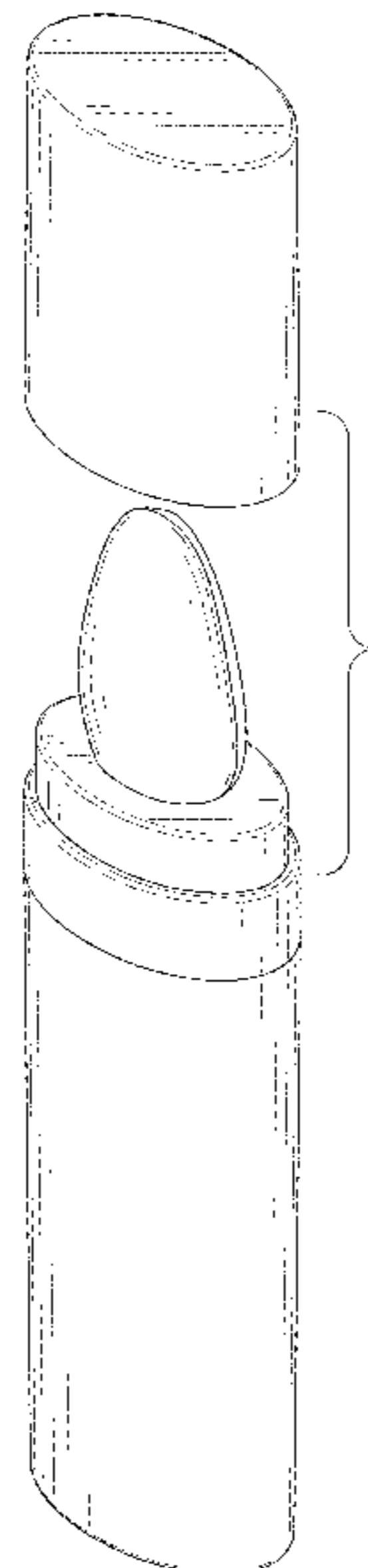
(57) **CLAIM**

The ornamental design for a cosmetic bottle, as shown and described.

DESCRIPTION

FIG. 1 is a front and top perspective view of a cosmetic bottle, showing my new design;
FIG. 2 is a rear and bottom perspective view thereof;
FIG. 3 is a front elevation view thereof;
FIG. 4 is a rear elevation view thereof;
FIG. 5 is a left side elevation view thereof;
FIG. 6 is a right side elevation view thereof;
FIG. 7 is a top plan view thereof;
FIG. 8 is a bottom plan view thereof; and,
FIG. 9 is another perspective view thereof, shown in an alternative position.
The dashed lines in the figures illustrate portions of the cosmetic bottle that form no part of the claimed design.

1 Claim, 9 Drawing Sheets



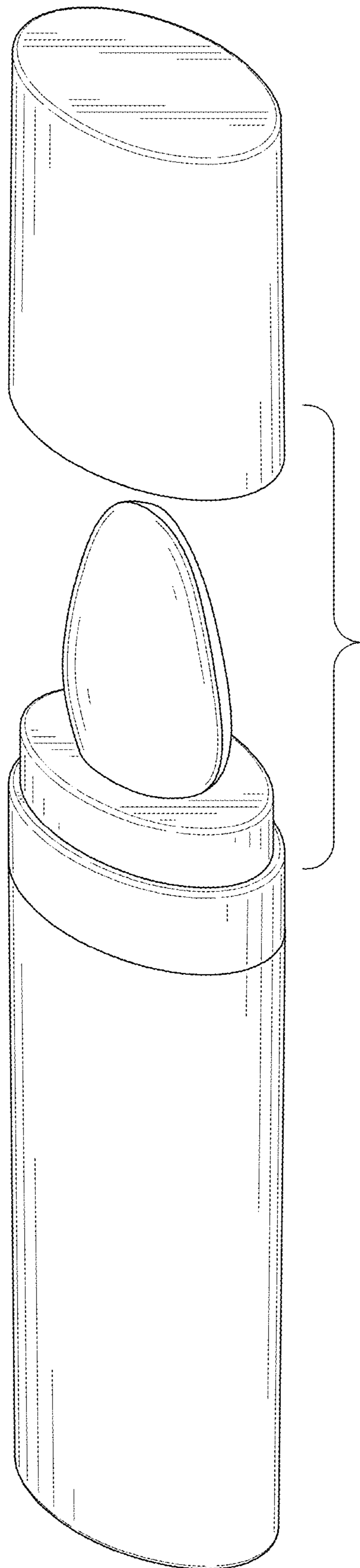


FIG. 1

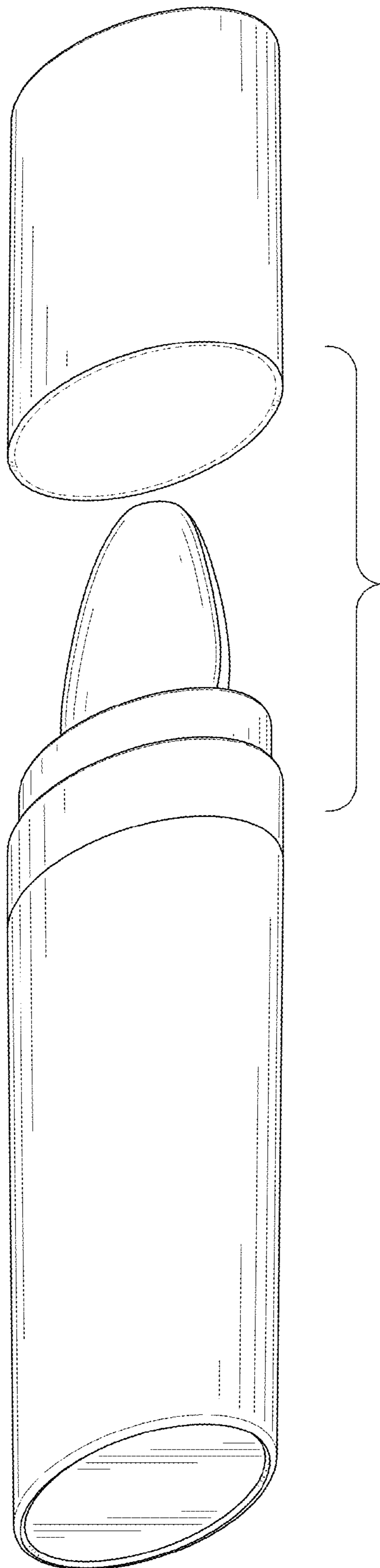


FIG. 2

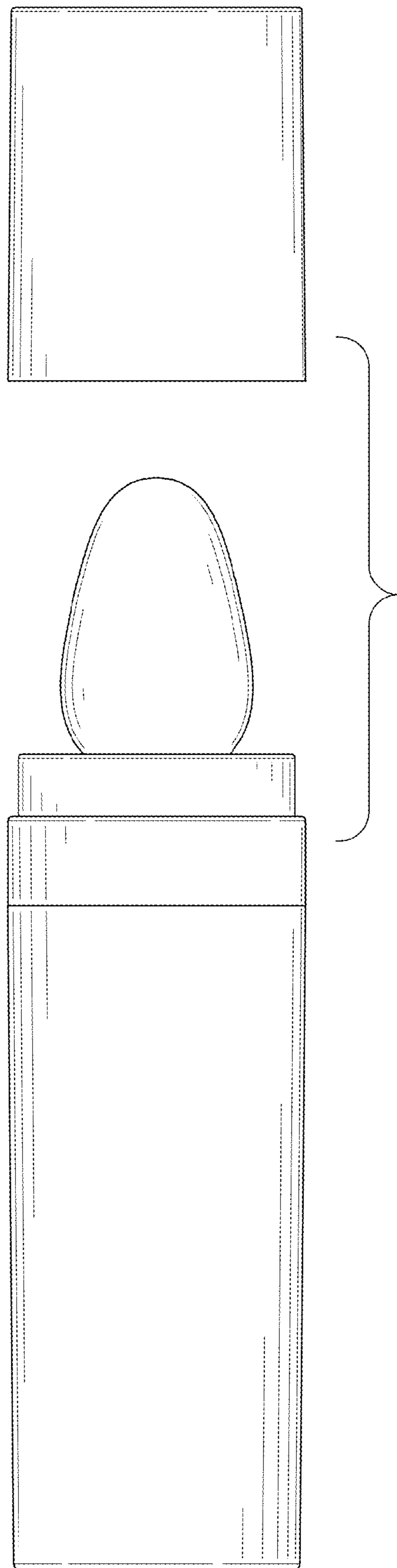


FIG. 3

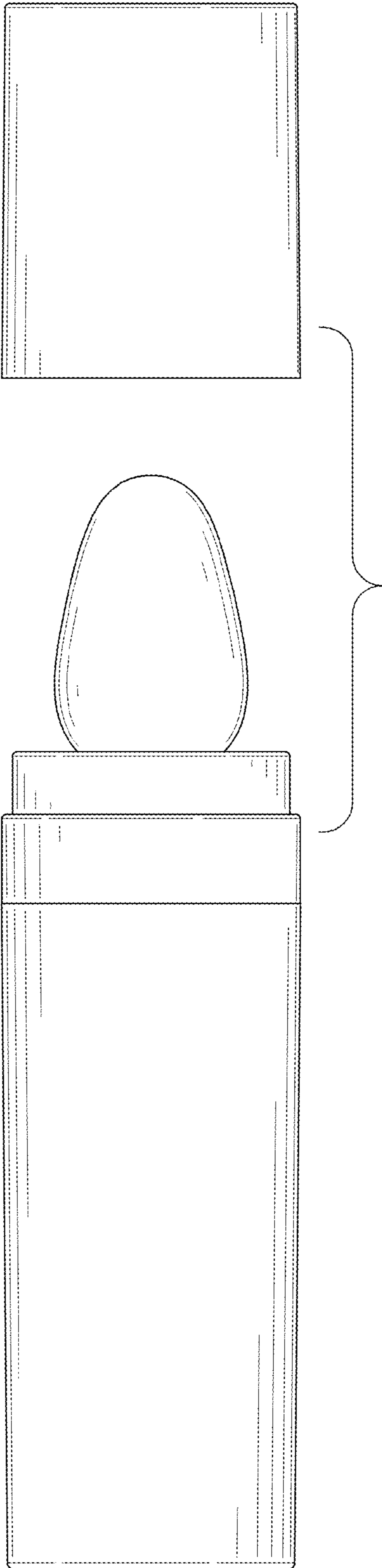


FIG. 4

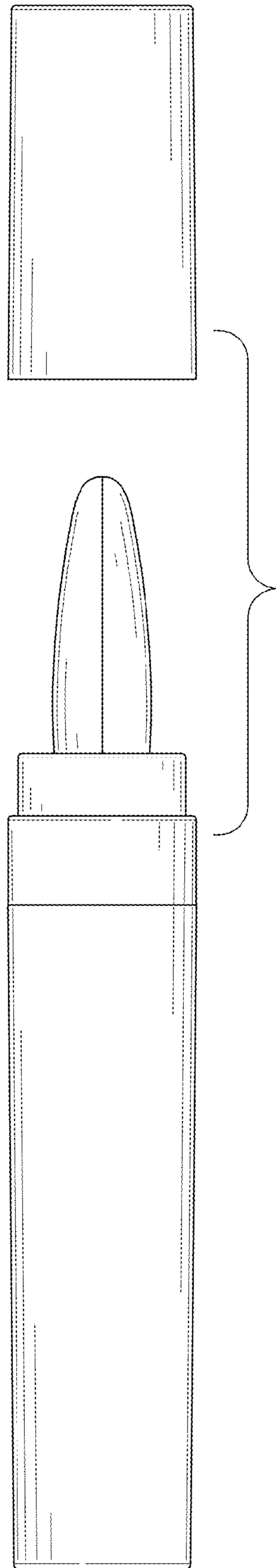


FIG. 5

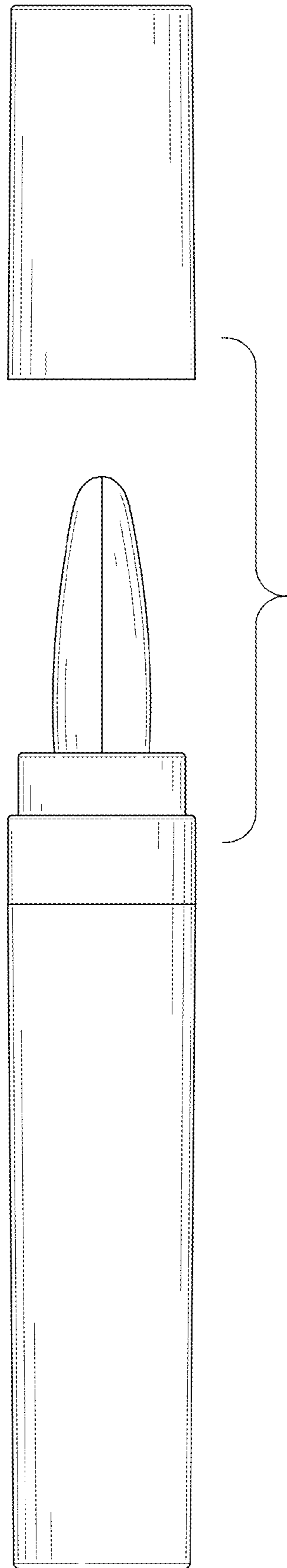


FIG. 6

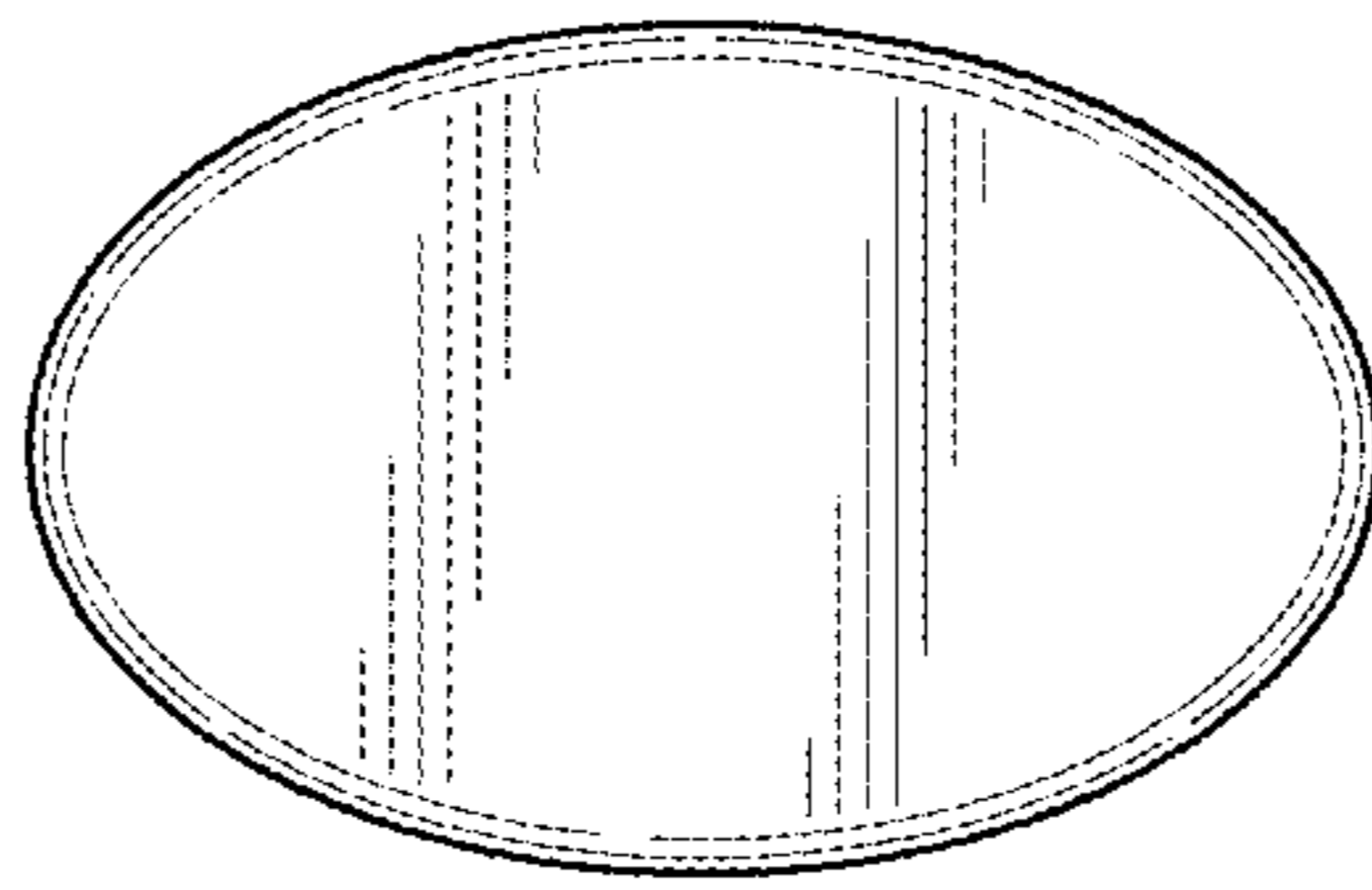


FIG. 7

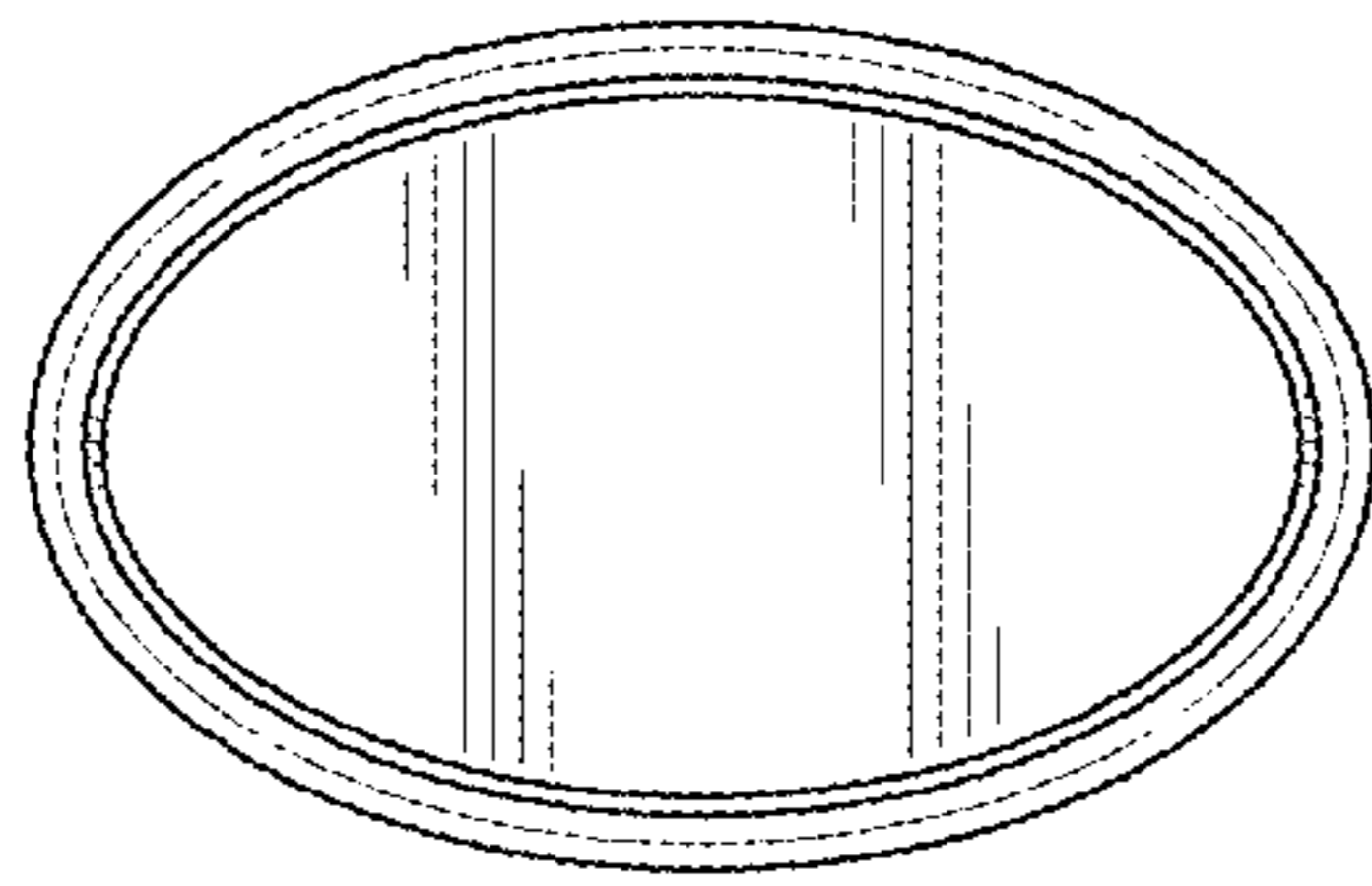


FIG. 8

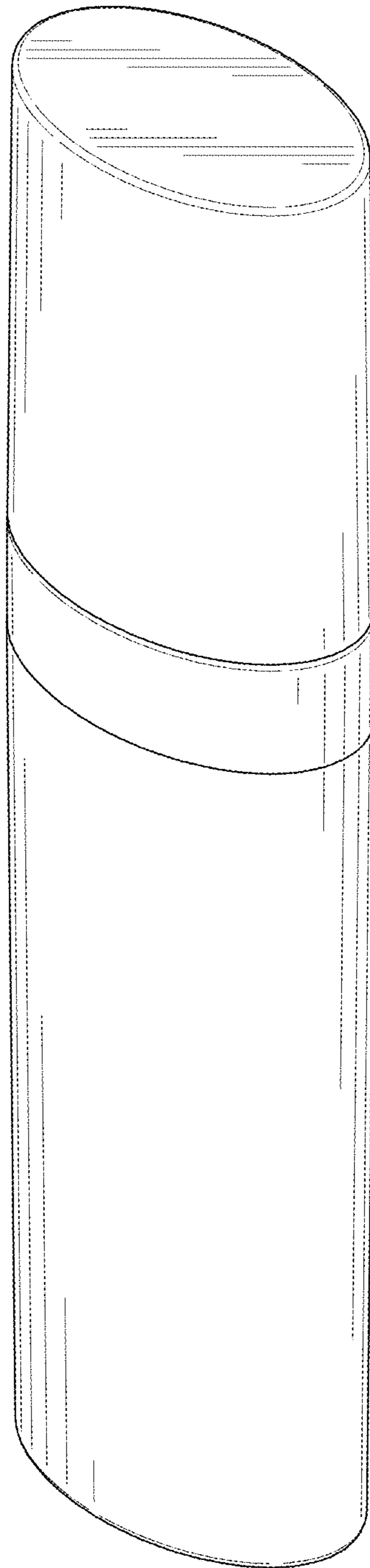


FIG. 9