



US00D986740S

(12) **United States Design Patent** (10) **Patent No.:** **US D986,740 S**
Watts (45) **Date of Patent:** **** May 23, 2023**

(54) **PACKAGING**

(71) Applicant: **VICTORIALAND BEAUTY, LLC**,
Naples, FL (US)

(72) Inventor: **Victoria Watts**, Naples, FL (US)

(73) Assignee: **VICTORIALAND BEAUTY, LLC**,
Naples, FL (US)

(**) Term: **15 Years**

(21) Appl. No.: **29/804,865**

(22) Filed: **Aug. 23, 2021**

(51) **LOC (14) Cl.** **09-01**

(52) **U.S. Cl.**
USPC **D9/667**; D9/434

(58) **Field of Classification Search**
USPC D7/392.1, 396.2; D9/434-436, 499, 454,
D9/441, 451, 551-555, 564-568, 600,
D9/651, 667

(Continued)

(56) **References Cited**

U.S. PATENT DOCUMENTS

D101,166 S * 9/1936 Forsberg D9/454
3,429,369 A * 2/1969 Segal A47G 19/26
165/47

(Continued)

FOREIGN PATENT DOCUMENTS

WO 00/78624 A1 12/2000
WO 00/78626 A1 12/2000

OTHER PUBLICATIONS

Packaging Strategies. Victorialand Beauty Debuts Packaging with
Raised Universal Symbols for the Visually Impaired. Jul. 30, 2020.
<https://bit.ly/3UQAtst> (Year: 2020).*

(Continued)

Primary Examiner — Darcey E Gottschalk

(74) *Attorney, Agent, or Firm* — Mauriel Kapouytian
Woods LLP; Benjamin Charkow; Rory J. Radding

(57) **CLAIM**

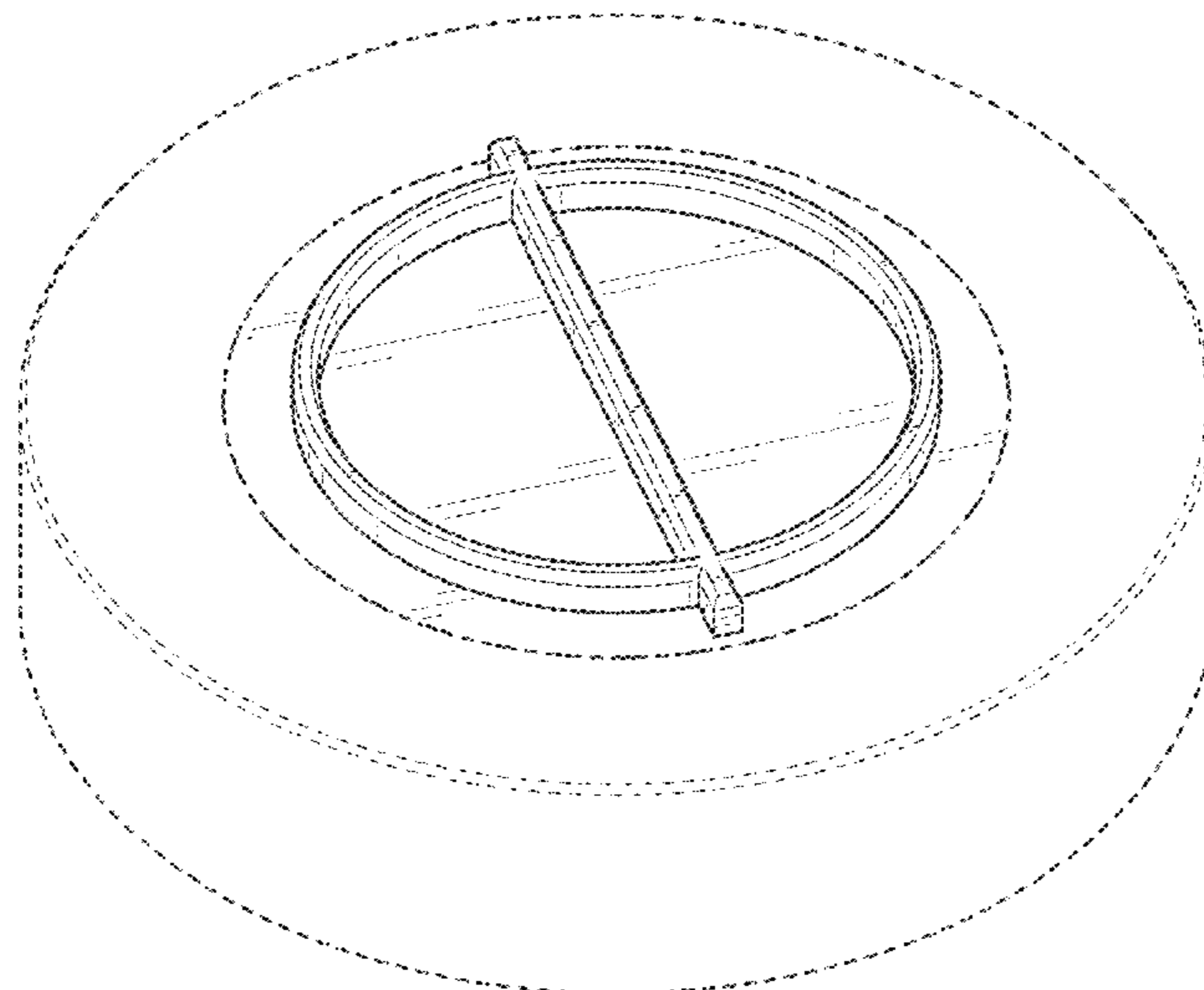
The ornamental design for a packaging, as shown and
described.

DESCRIPTION

FIG. 1 is a top perspective view of a first embodiment of
packaging, showing my new design;
FIG. 2 is a top plan view of the packaging shown in FIG. 1;
FIG. 3 is a front view of the packaging shown in FIG. 2;
FIG. 4 is a rear view of the packaging shown in FIG. 2;
FIG. 5 is a right side view of the packaging shown in FIG.
2;
FIG. 6 is a left side view of the packaging shown in FIG. 2;
FIG. 7 is a top perspective view of a second embodiment of
packaging, showing my new design;
FIG. 8 is a top perspective view of a third embodiment of
packaging, showing my new design;
FIG. 9 is a top perspective view of a fourth embodiment of
packaging, showing my new design;
FIG. 10 is a top perspective view of a fifth embodiment of
packaging, showing my new design;
FIG. 11 is a front view of the packaging shown in FIG. 10;
FIG. 12 is a right side view of the packaging shown in FIG.
11;
FIG. 13 is a left side view of the packaging shown in FIG.
11;
FIG. 14 is a top plan view of the packaging shown in FIG.
11;
FIG. 15 is a bottom view of the packaging shown in FIG. 11;
and,
FIG. 16 is a top perspective view of a sixth embodiment of
packaging, showing my new design.

The evenly broken lines represent both parts of the article as
well as environmental subject matter of exemplary packag-
ing. The dot-dash line represents the boundaries of the claim.
None of the broken lines form part of the claimed design.

1 Claim, 13 Drawing Sheets



(58) **Field of Classification Search**
 CPC B65D 39/00; B65D 41/00
 See application file for complete search history.

(56) **References Cited**

U.S. PATENT DOCUMENTS

D254,241 S * 2/1980 Morin D9/504
 D419,884 S 2/2000 Zimmer et al.
 6,150,647 A 11/2000 Anderson et al.
 D456,268 S 4/2002 Hague et al.
 6,394,651 B2 5/2002 Jackson
 6,394,652 B2 5/2002 Meyer et al.
 D460,692 S * 7/2002 Cumberbatch D9/504
 D463,284 S 9/2002 Poisson et al.
 D464,269 S 10/2002 Pannozzo et al.
 D464,879 S 10/2002 Meeker et al.
 D465,153 S 11/2002 Meeker et al.
 D467,809 S 12/2002 Pouillot et al.
 D468,642 S 1/2003 Poisson et al.
 D469,357 S 1/2003 Verherbrugghen et al.
 D484,804 S 1/2004 Pouillot et al.
 D491,071 S 6/2004 Degeyter et al.
 D498,679 S 11/2004 Meeker et al.
 D533,070 S 12/2006 Schuller et al.
 D533,456 S 12/2006 Schuller et al.
 D554,998 S 11/2007 Perry et al.
 D558,051 S 12/2007 Born et al.
 D558,053 S 12/2007 Lake et al.
 D564,893 S 3/2008 Adamson et al.
 D565,954 S 4/2008 Adamson et al.
 D581,211 S * 11/2008 Lapsker D7/396.2
 D583,228 S 12/2008 Ames et al.
 D585,299 S 1/2009 Miller
 D587,122 S 2/2009 Herstol et al.
 D600,128 S 9/2009 Miller
 D609,101 S 2/2010 Herstol et al.
 D612,240 S * 3/2010 Cresswell D9/504

D621,715 S 8/2010 Schwartz et al.
 7,942,577 B2 5/2011 Fraser et al.
 D643,730 S 8/2011 Booth et al.
 D643,731 S 8/2011 Booth et al.
 D670,168 S 11/2012 Borger et al.
 D713,728 S 9/2014 Brewer et al.
 D714,153 S 9/2014 Brewer et al.
 D715,149 S 10/2014 Brewer et al.
 D715,655 S 10/2014 Brewer et al.
 D716,662 S 11/2014 Brewer et al.
 D716,663 S 11/2014 Brewer et al.
 D717,175 S 11/2014 Brewer et al.
 D717,178 S 11/2014 Brewer et al.
 D718,144 S 11/2014 Brewer et al.
 D721,972 S 2/2015 Brewer et al.
 D723,930 S 3/2015 Brewer et al.
 D883,737 S * 5/2020 Bullock D7/396.2
 D897,151 S * 9/2020 Bullock D9/449
 D941,146 S * 1/2022 Barber D9/443
 2013/0130963 A1 5/2013 Vinuesa et al.
 2017/0259961 A1 9/2017 O'Donnell et al.
 2017/0259971 A1 9/2017 O'Donnell et al.
 2019/0039777 A1 2/2019 Theiss, III et al.

OTHER PUBLICATIONS

A Design Award & Competition. Beauty Packaging Skincare Brand Packaging by Base Beauty Creative Agency. Feb. 24, 2021. <https://competition.adesignaward.com/design.php?ID=120212> (Year: 2021).
 CyR.U.S. The Symbols.—Face Wash. No date specified. <https://cyrussystem.com/symbols> (Year: 0).
 U.S. Appl. No. 29/709,850, filed Oct. 17, 2019.
 U.S. Appl. No. 29/709,868, filed Oct. 17, 2019.
 U.S. Appl. No. 29/709,864, filed Oct. 17, 2019.
 U.S. Appl. No. 29/709,866, filed Oct. 17, 2019.
 U.S. Appl. No. 29/804,867, filed Aug. 23, 2021.
 U.S. Appl. No. 29/804,868, filed Aug. 23, 2021.

* cited by examiner

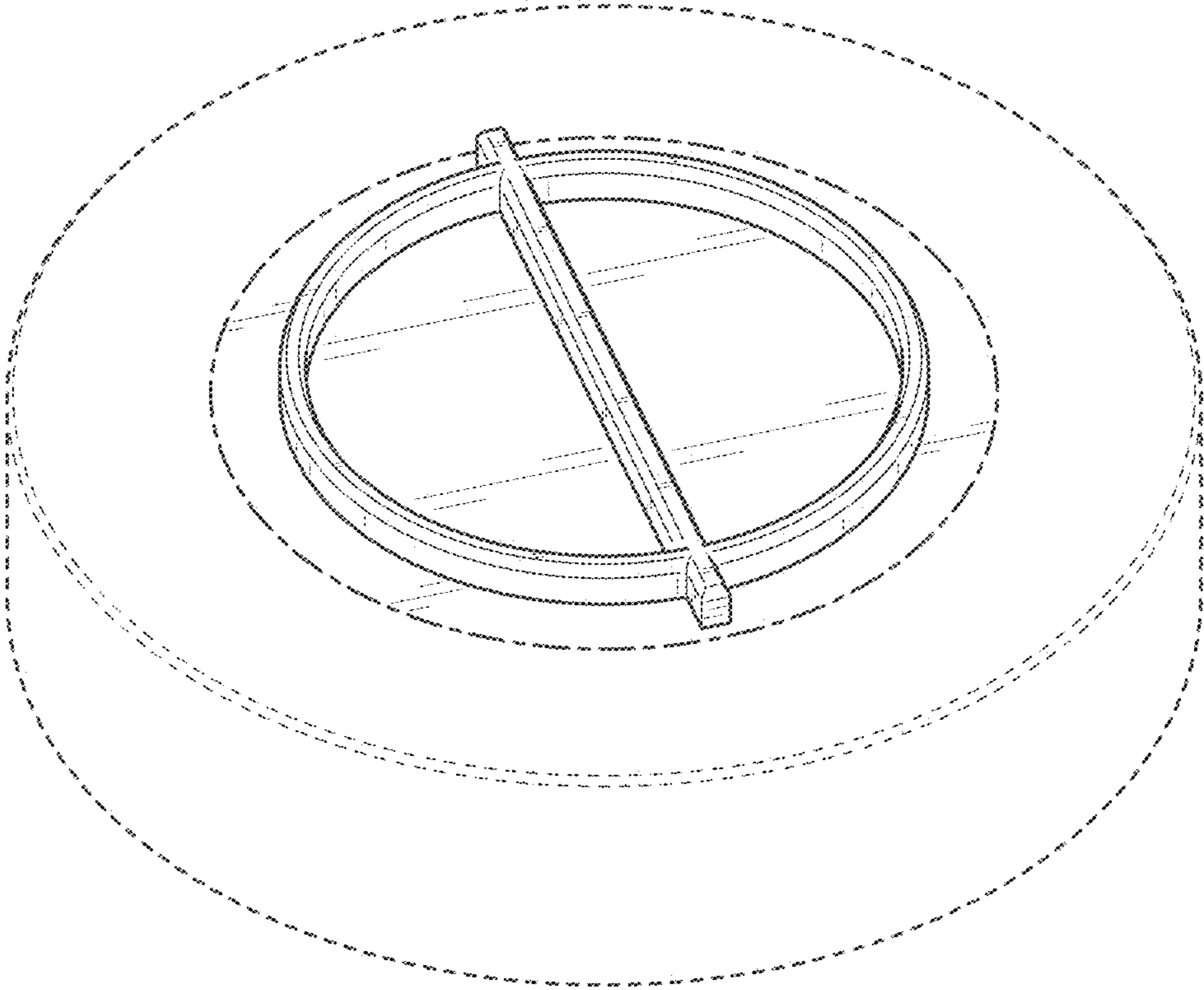


FIG. 1

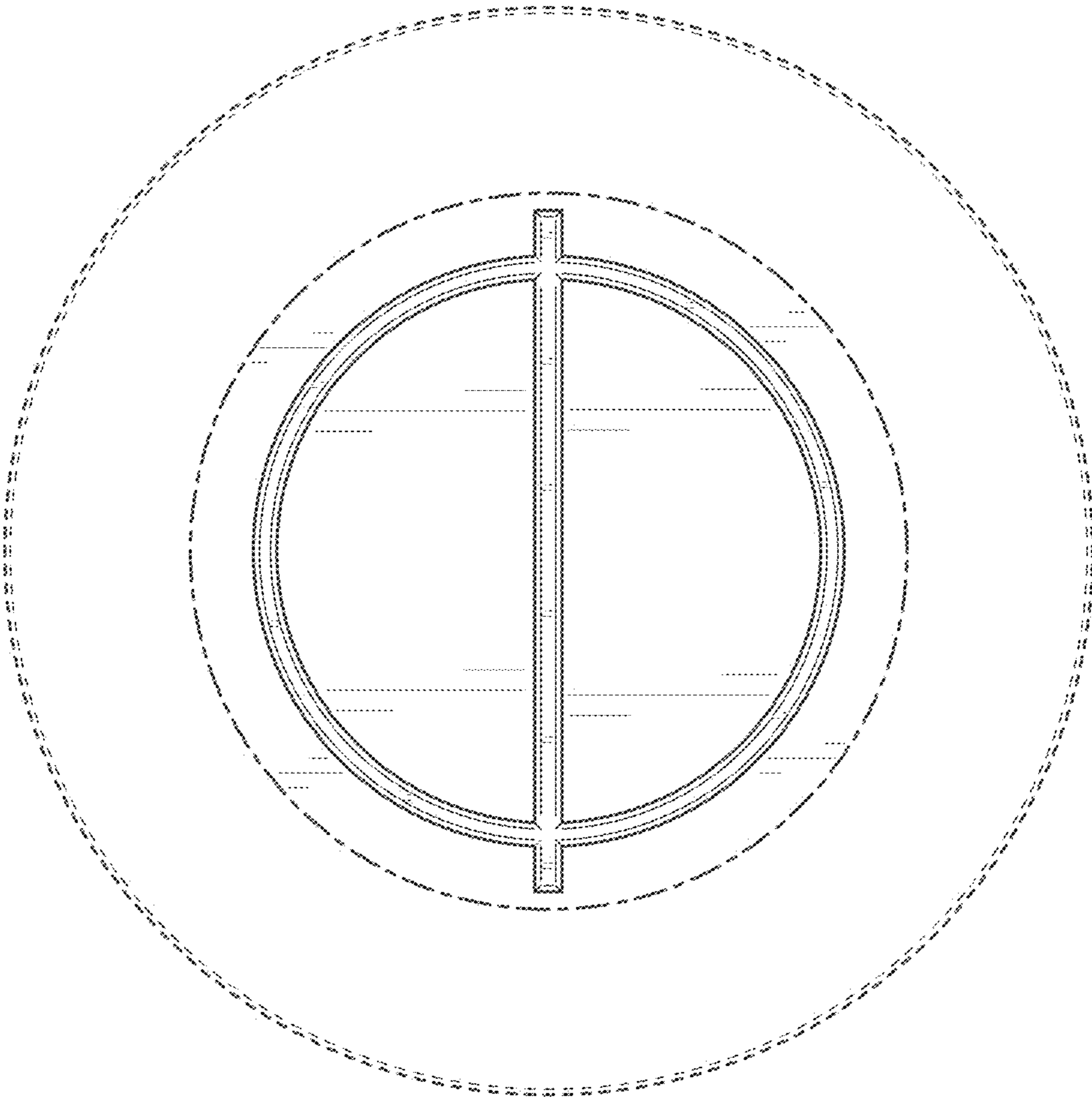


FIG. 2

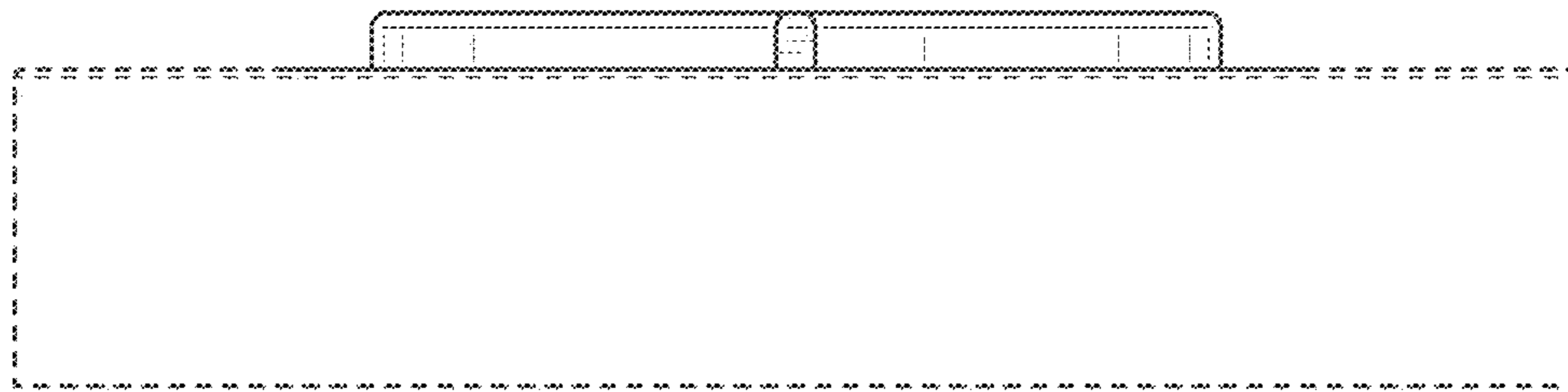


FIG. 3

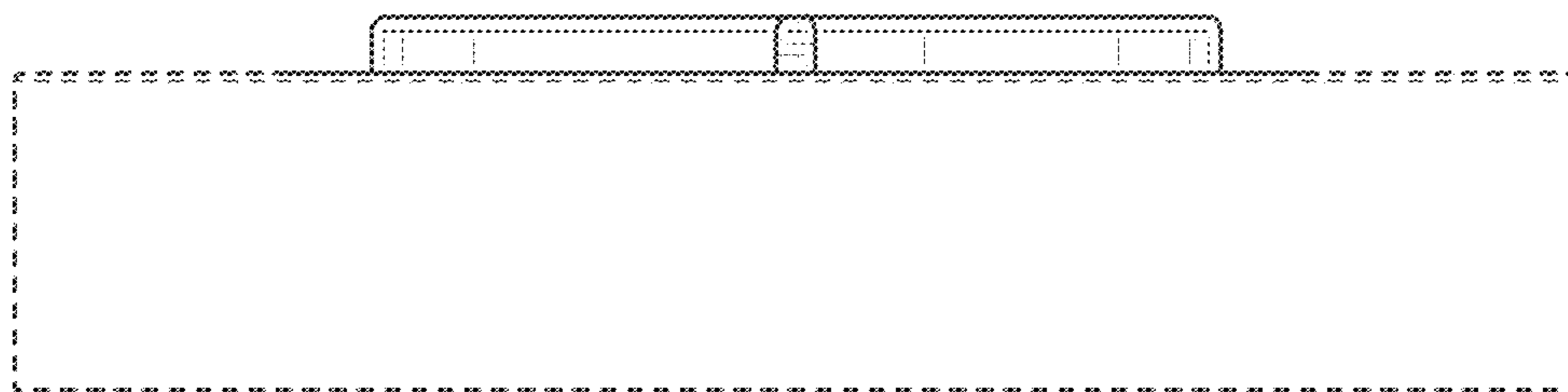


FIG. 4

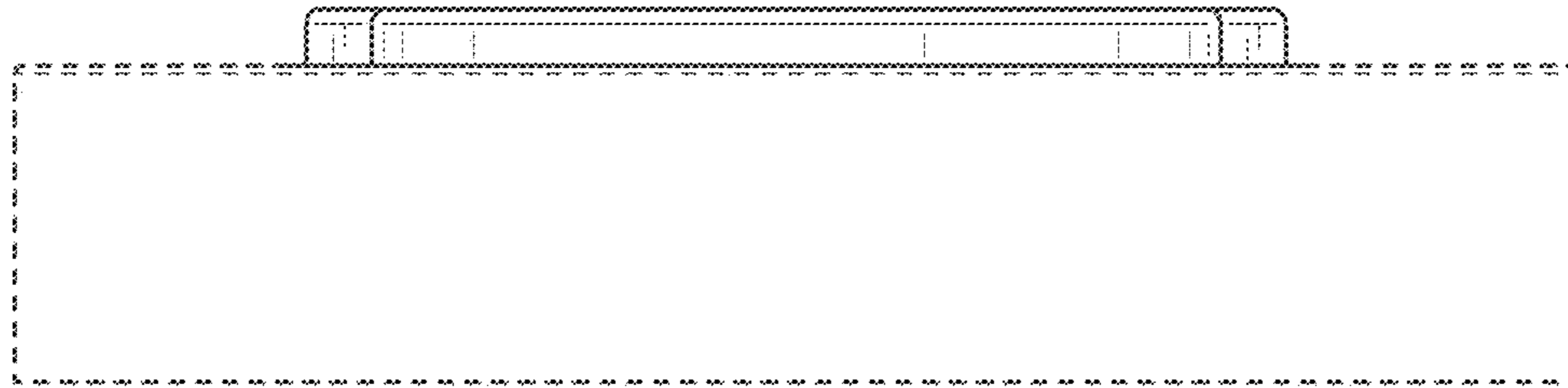


FIG. 5

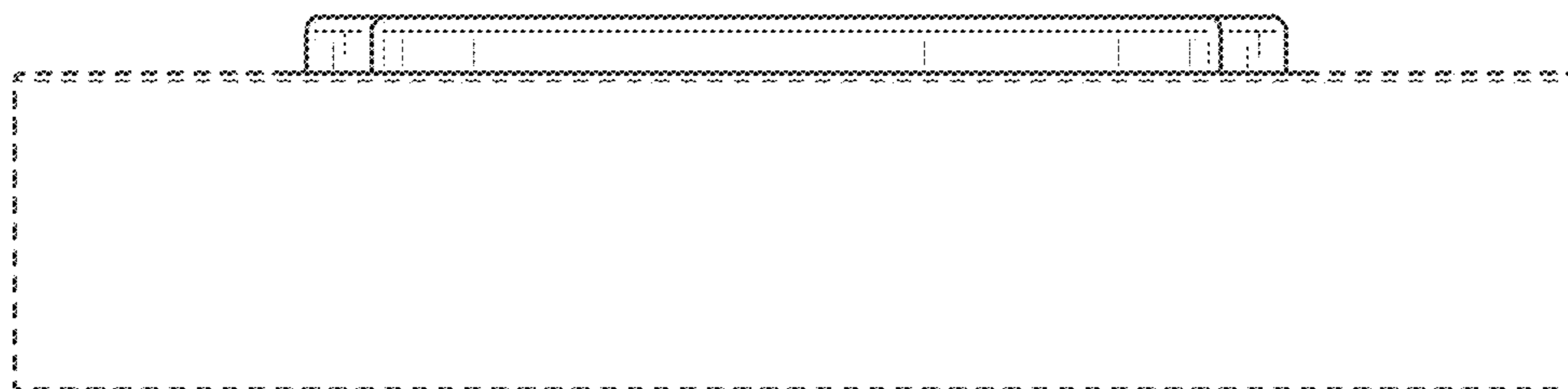


FIG. 6

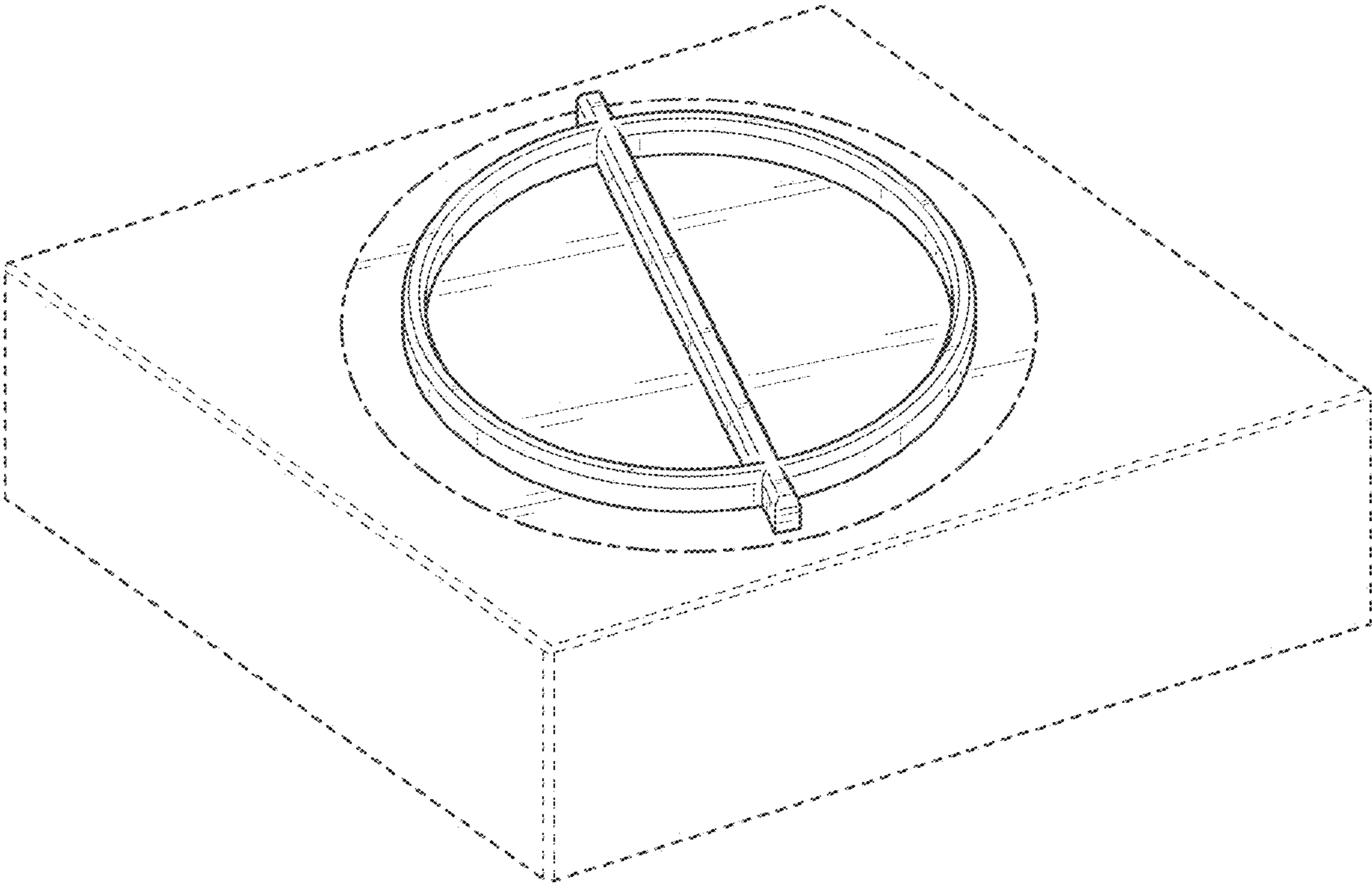


FIG. 7

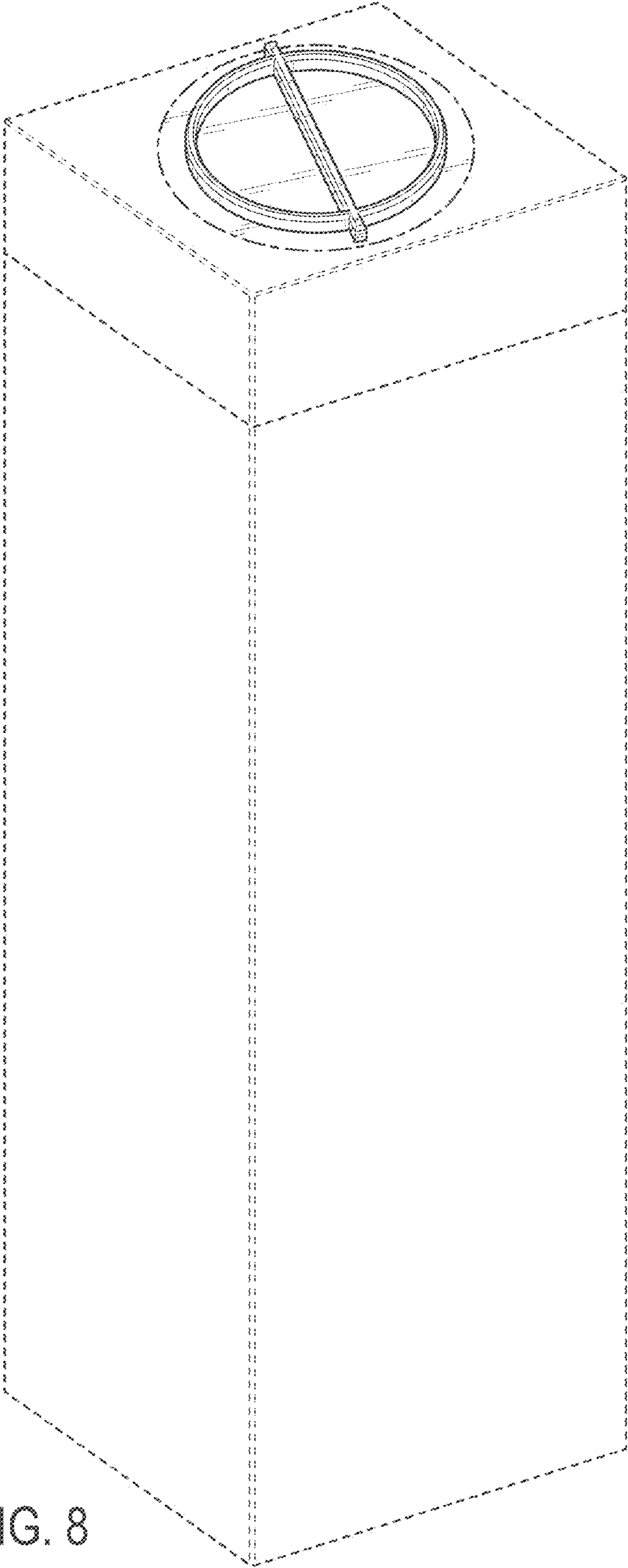


FIG. 8

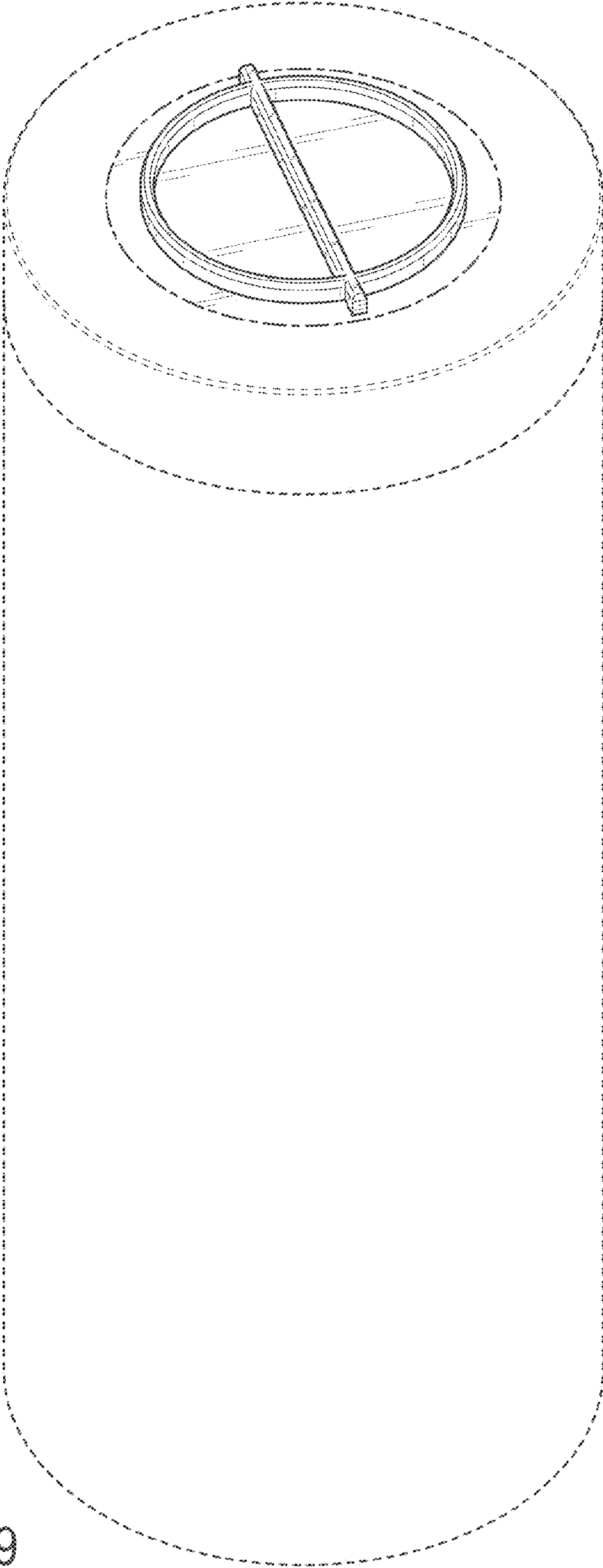


FIG. 9

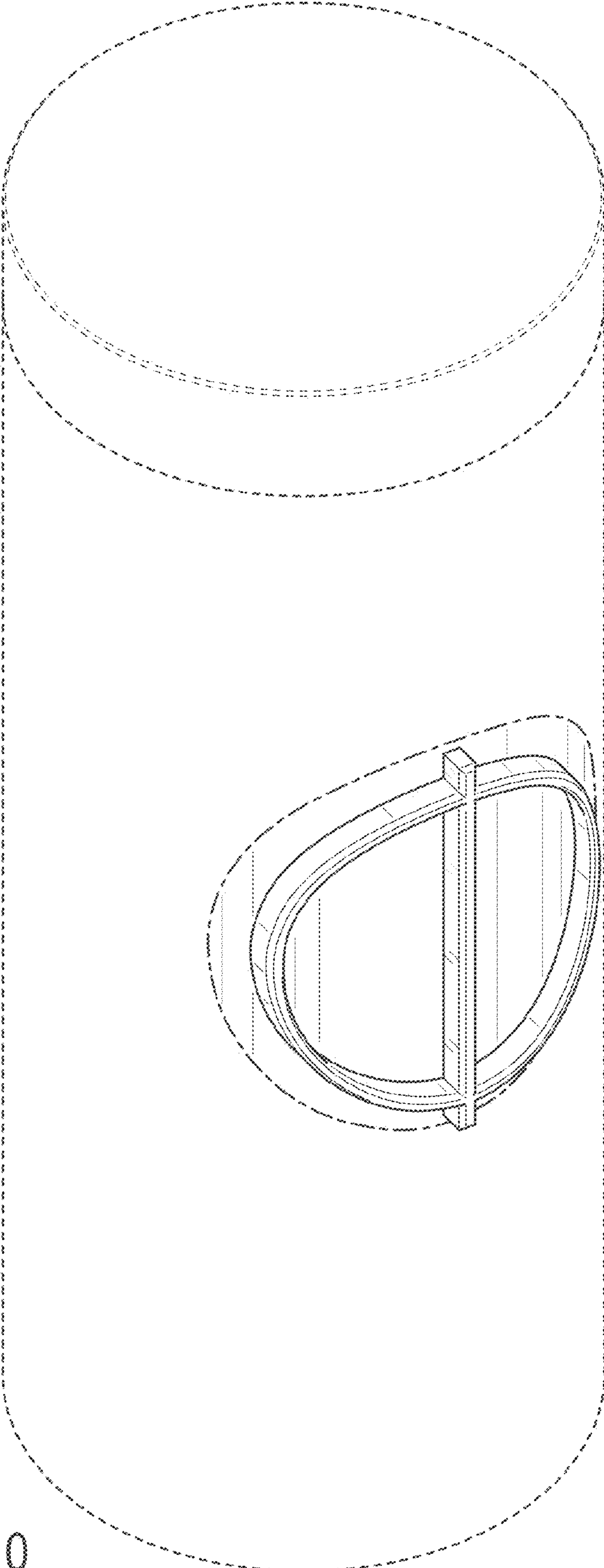


FIG. 10

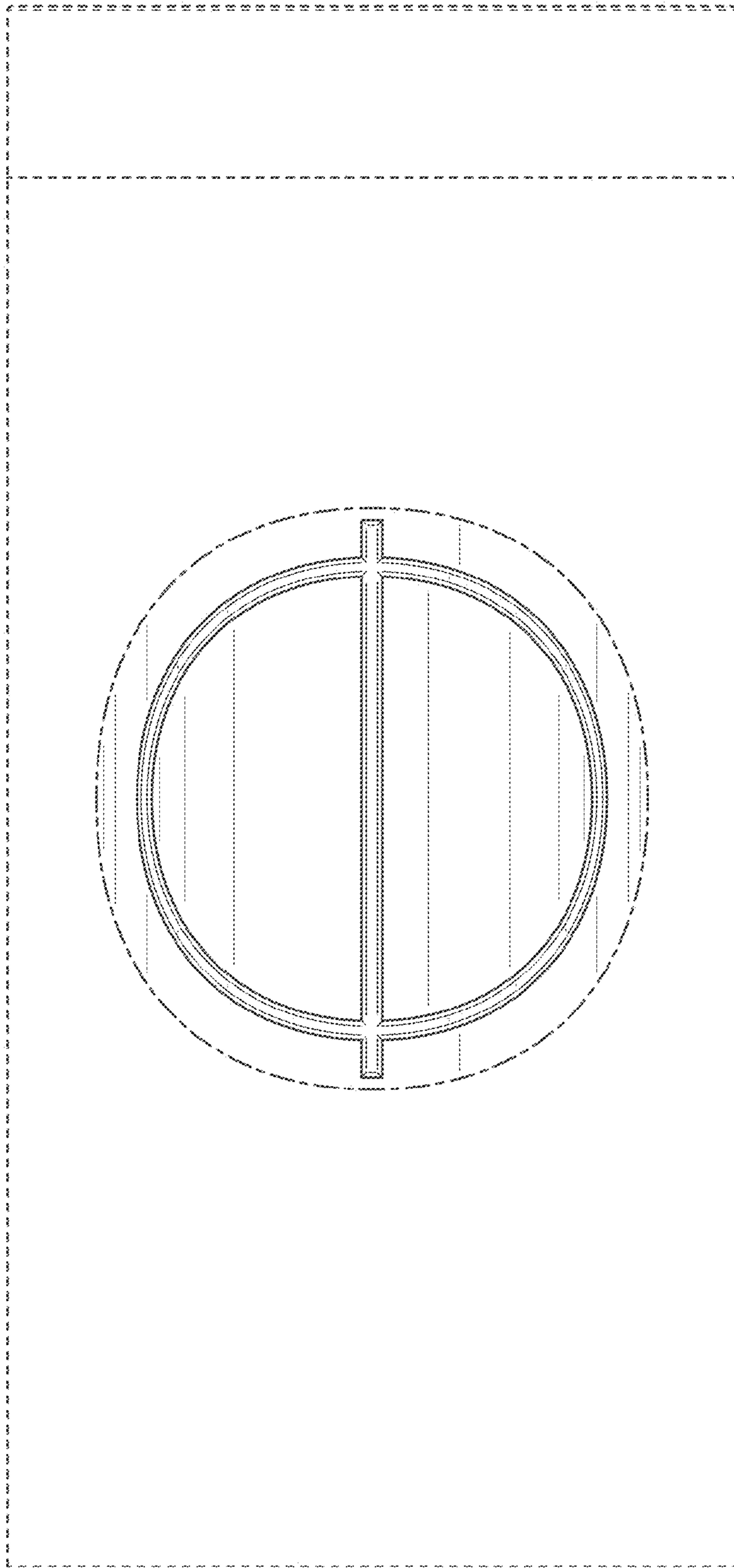


FIG. 11

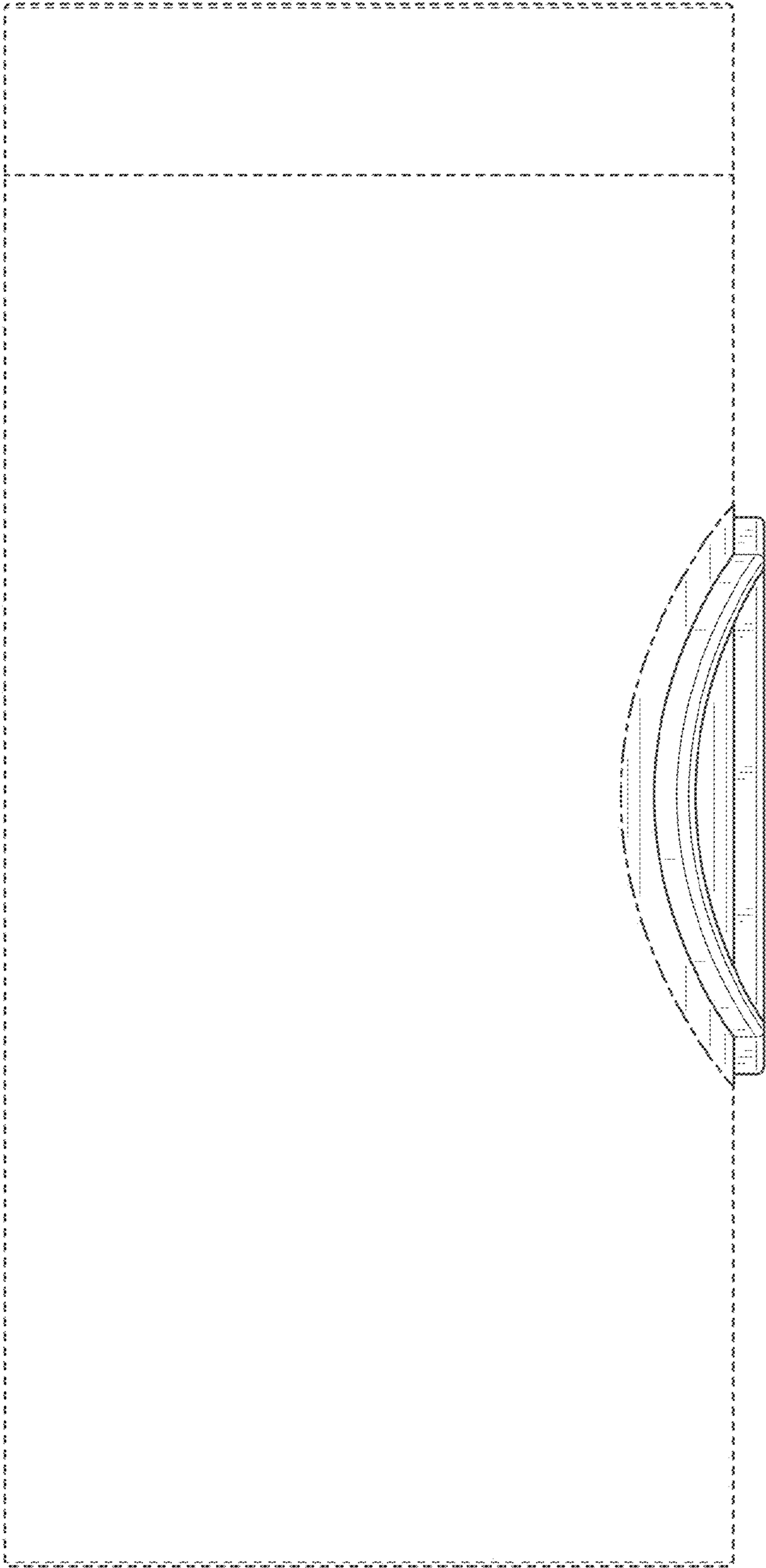


FIG. 12

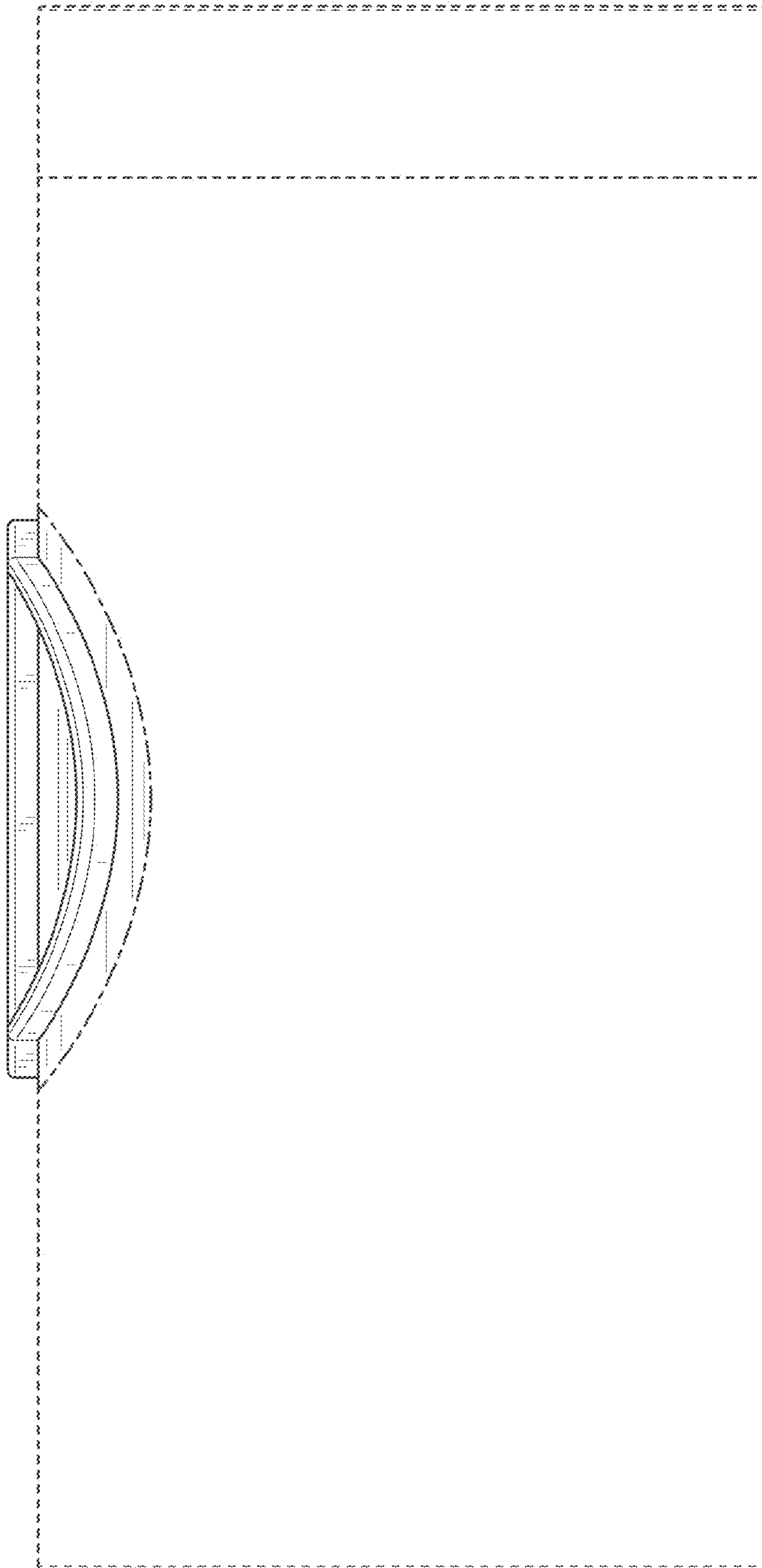


FIG. 13

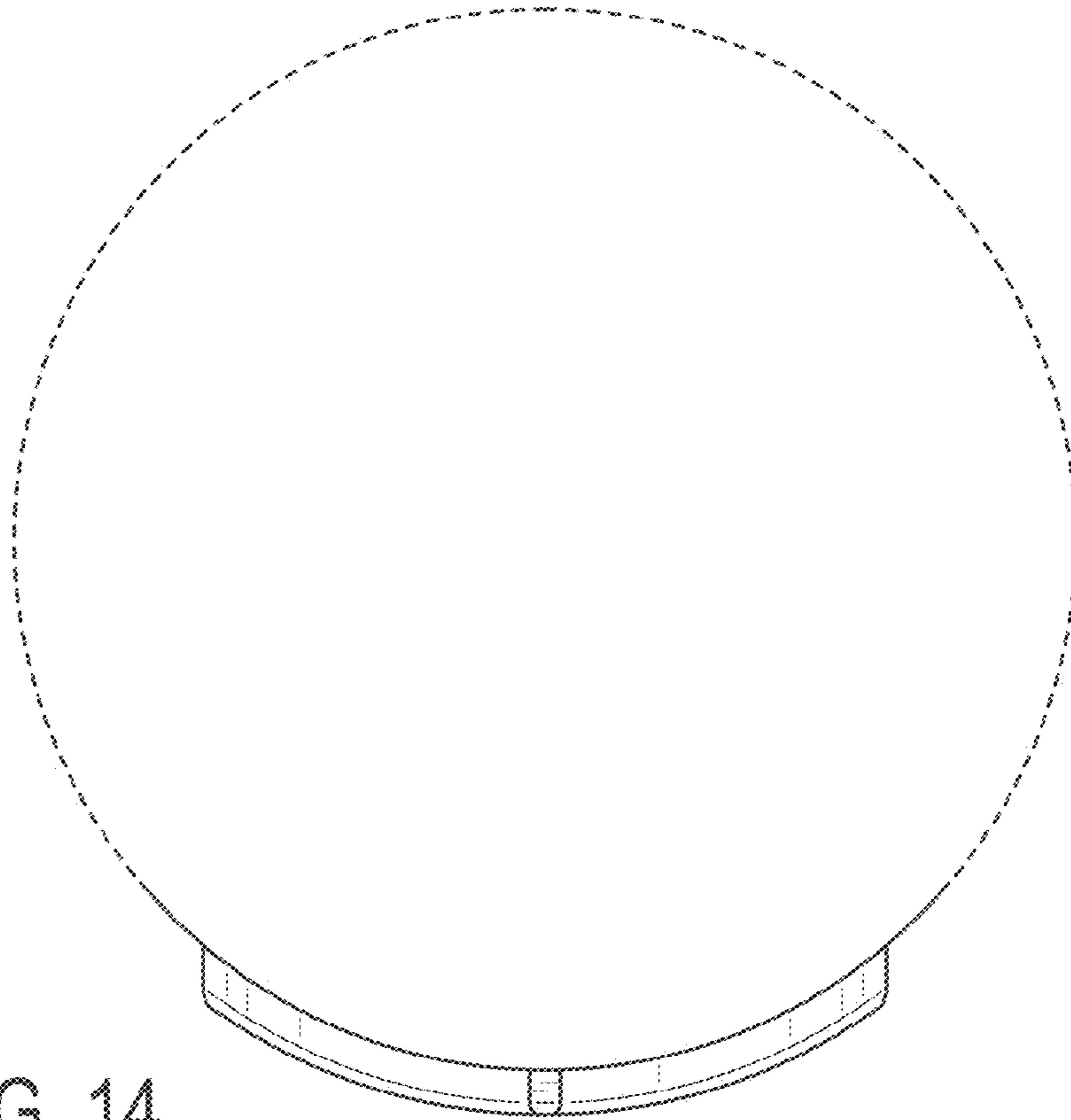


FIG. 14

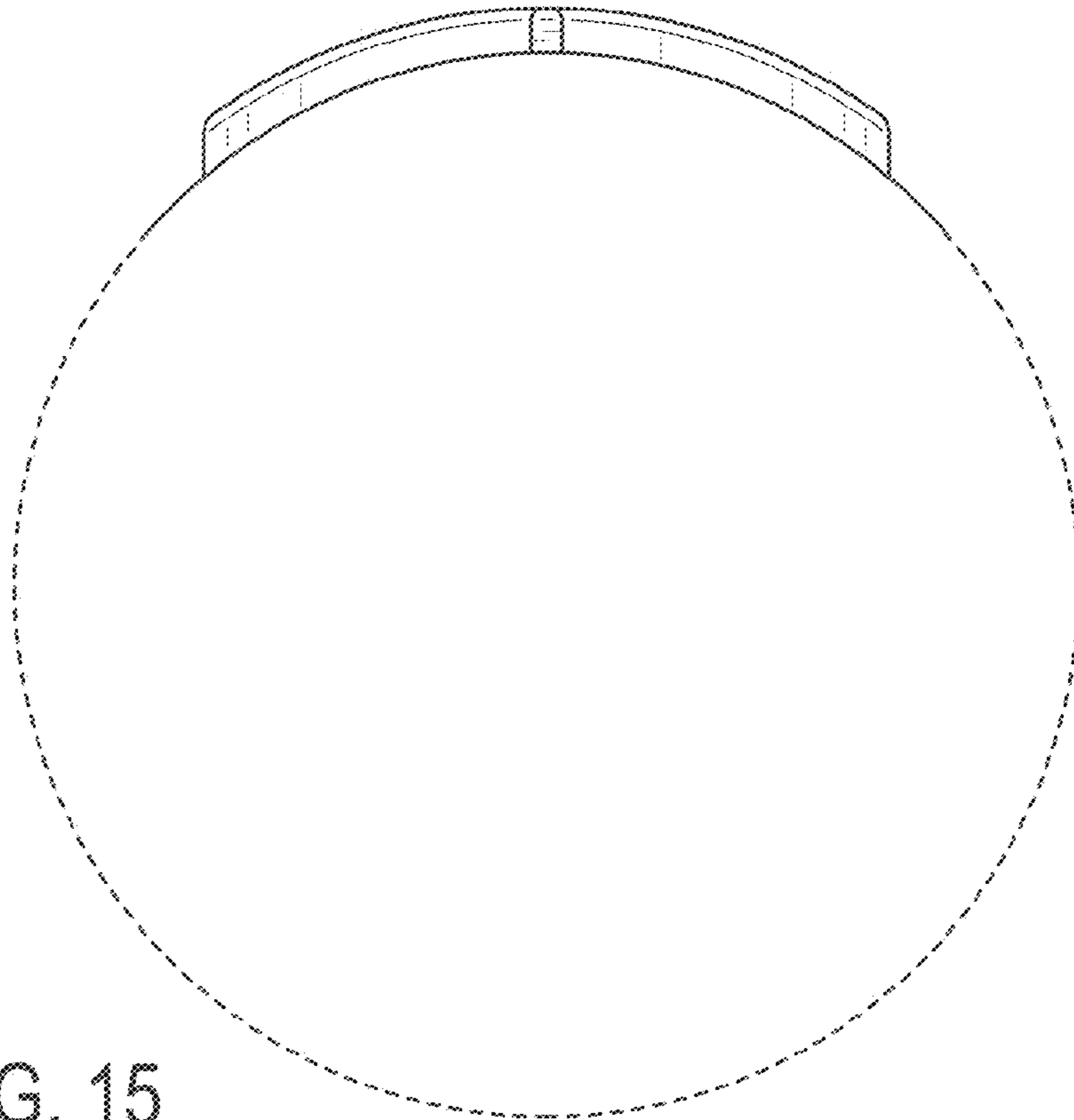


FIG. 15

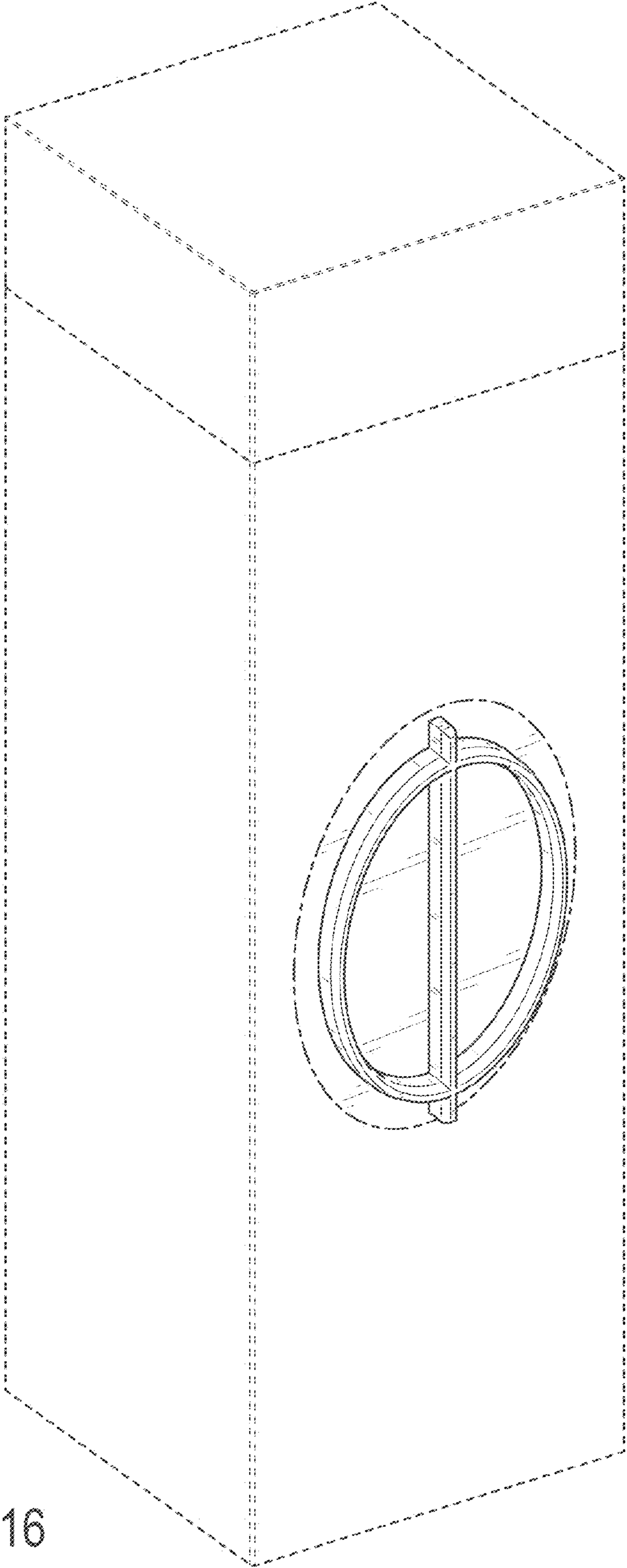


FIG. 16