



US00D986739S

(12) **United States Design Patent**  
**Zhang**

(10) **Patent No.:** **US D986,739 S**  
(45) **Date of Patent:** **\*\* May 23, 2023**

- (54) **NAIL POLISH BOTTLE**
- (71) Applicant: **Guangzhou Yanxi Cosmetics Co., Ltd.**, Guangzhou (CN)
- (72) Inventor: **Chu Zhang**, Guangzhou (CN)
- (73) Assignee: **Guangzhou Yanxi Cosmetics Co., Ltd.**, Guangzhou (CN)
- (\*\*) Term: **15 Years**
- (21) Appl. No.: **29/871,231**
- (22) Filed: **Feb. 15, 2023**
- (51) **LOC (14) Cl.** ..... **09-01**
- (52) **U.S. Cl.**  
USPC ..... **D9/564**
- (58) **Field of Classification Search**  
USPC ..... D3/202; D7/505, 538, 540, 541, 542, D7/555, 558, 559, 560, 563, 564, 565, D7/589, 590, 591, 592, 593, 596, 597, D7/701, 368, 668, 669, 674, 675, 677, D7/678, 679, 372, 373, 509, 510, 511, D7/533, 536, 562, 584, 312, 313, 602, D7/601; D9/414, 419, 516, 523, 528, D9/548, 557, 564, 574, 575, 711; D28/4, D28/7, 73, 76, 9; D4/116  
CPC .... B65D 83/205; B65D 83/206; B65D 83/40; B65D 2543/00046; B65D 1/00; B65D 1/02; B65D 1/10; B65D 1/265; A47G 19/2272; A47J 42/04; A47J 42/38  
See application file for complete search history.

D215,083 S *	9/1969	Carter	.....	D4/116
D387,909 S *	12/1997	Mattson	.....	D9/548
D459,233 S *	6/2002	Young	.....	D9/535
D522,373 S	6/2006	Bakic	.....	
D533,459 S *	12/2006	Wagner	.....	D9/535
D546,692 S *	7/2007	Verburg	.....	D9/551
D579,259 S *	10/2008	Venier	.....	D7/509
D659,003 S *	5/2012	Knox	.....	D9/566
D708,070 S *	7/2014	Lesinigo	.....	D9/548
10,479,542 B2 *	11/2019	Evans	.....	B65D 1/0223
D923,477 S *	6/2021	Watanuki	.....	D9/521
D933,487 S *	10/2021	Luo	.....	D9/454

- (56) **References Cited**  
U.S. PATENT DOCUMENTS  
D16,200 S \* 8/1885 Wadsworth ..... D9/544  
D61,415 S \* 8/1922 Klein ..... D9/544  
D135,236 S \* 3/1943 Younghusband ..... D4/116

**OTHER PUBLICATIONS**

Fait Round Nail Polish Bottle: Site Visited (Mar. 8, 2023). Available from URL: <https://www.diffuserglassbottle.com/sale-13315584-12ml-flat-round-nail-polish-bottle-with-brush.html>.\*

Flat Round Matter Nail Polish Bottle: Site Visited (Mar. 8, 2023). Available from URL: [https://www.alibaba.com/product-detail/Hot-selling-15ml-flat-round-matte\\_1600066214655.html](https://www.alibaba.com/product-detail/Hot-selling-15ml-flat-round-matte_1600066214655.html).\*

(Continued)

*Primary Examiner* — Catherine S Posthauer  
(74) *Attorney, Agent, or Firm* — Nitin Kaushik

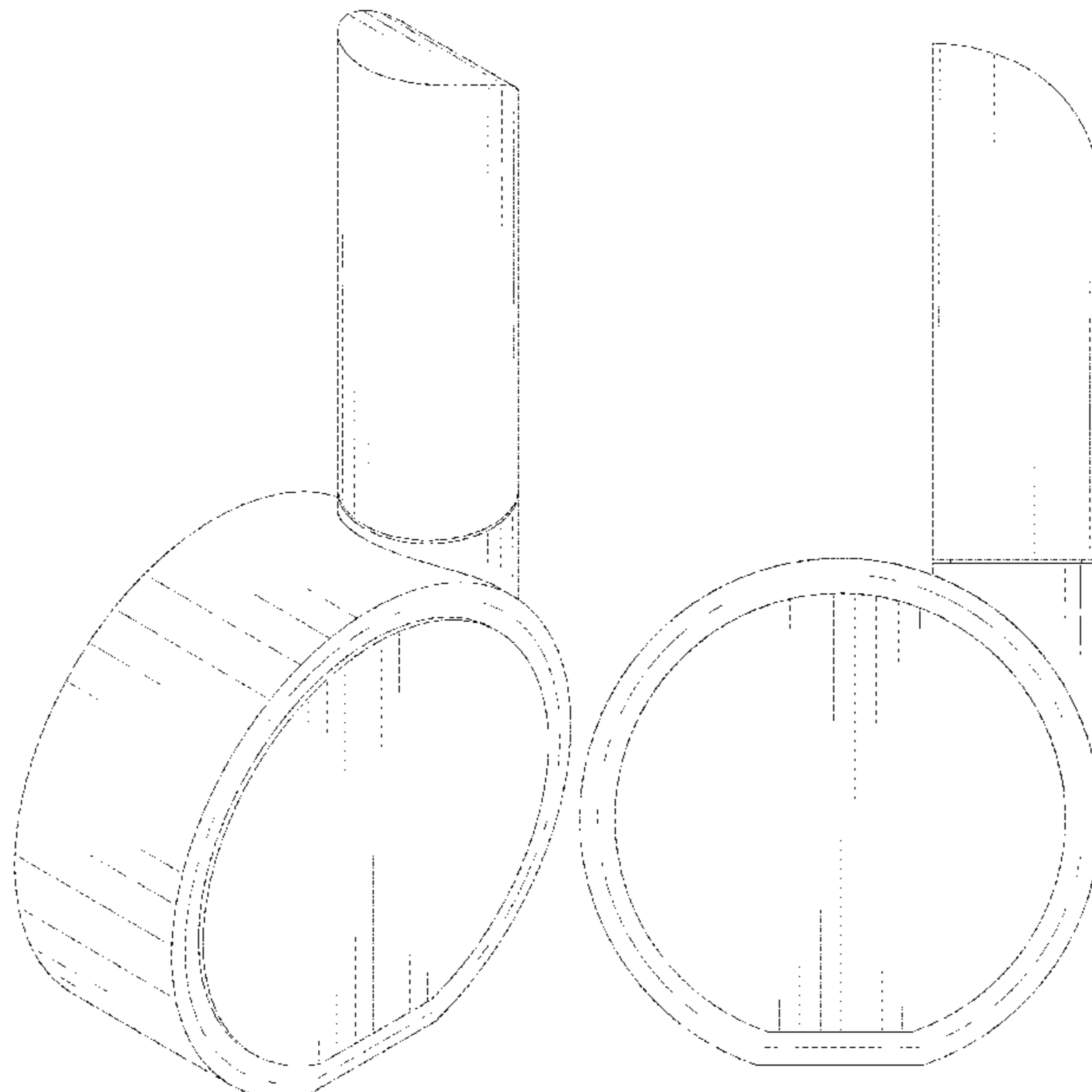
(57) **CLAIM**

The ornamental design for a nail polish bottle, as shown and described.

**DESCRIPTION**

FIG. 1 is a top perspective view of a nail polish bottle, showing my new design;  
FIG. 2 is a front view thereof;  
FIG. 3 is a rear view thereof;  
FIG. 4 is a left side view thereof;  
FIG. 5 is a right side view thereof;  
FIG. 6 is a top view thereof; and,  
FIG. 7 is a bottom view thereof.

**1 Claim, 7 Drawing Sheets**



(56)

**References Cited**

OTHER PUBLICATIONS

Hearth Shaped Nail Polish Bottle: Site Visited (Mar. 8, 2023). Available from URL: [https://www.alibaba.com/product-detail/6ml-Glass-bottle-Wholesale-Custom-Logo\\_1600614313585.html?spm=a2700.pccps\\_detail.0.0.ebbe13a0I9b%E2%80%A6](https://www.alibaba.com/product-detail/6ml-Glass-bottle-Wholesale-Custom-Logo_1600614313585.html?spm=a2700.pccps_detail.0.0.ebbe13a0I9b%E2%80%A6).\*

Flat Round Nail Polish Bottle: Announced (Nov. 22, 2022; online). Site Visited (Mar. 8, 2023). Available from URL: <https://www.micamoma.co.uk/bottles/flat-round-nail-polish-bottle-white-cap/>.\*

Round Nail Polish Bottle: Announced (Apr. 25, 2022; online). Site Visited (Mar. 8, 2023). Available from URL: <https://www.amazon.com/Capacity-Bottles-Spherical-Refillable-Containers/dp/B09YRNQ9SS>.\*

Louis XIII Cognac Bottles: Announced (Nov. 4, 2022; online). Site Visited (Mar. 8, 2023). Available from URL: <https://hypebeast.com/2022/11/louis-xiii-the-drop-cognac-box-set-bottles-collection>.\*

Cocktail Shaker: Site Visited (Mar. 2, 2023). Available from URL: <https://collections.artsmia.org/art/131297/cocktail-shaker-sylvia-stave>.\*

\* cited by examiner

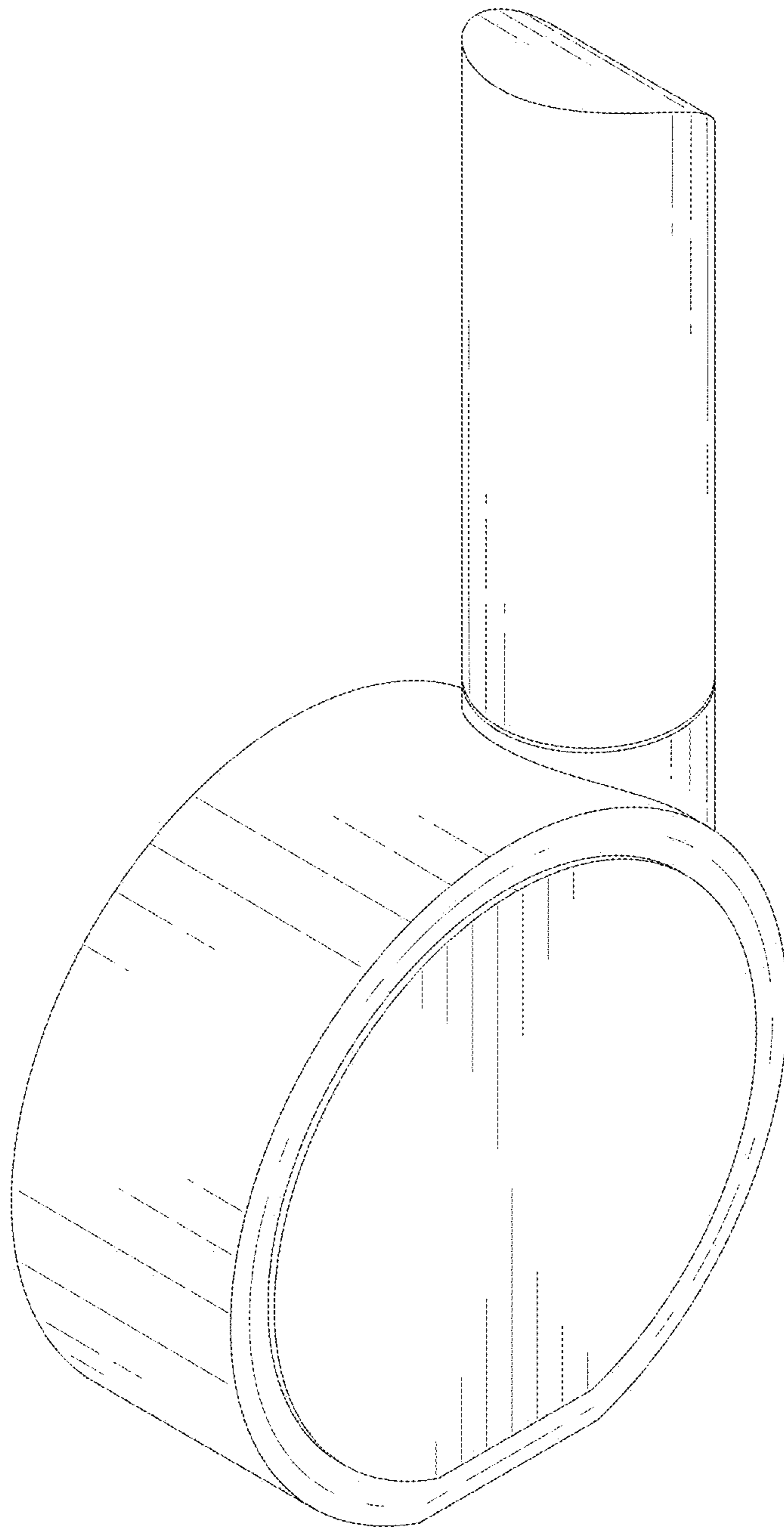


FIG. 1

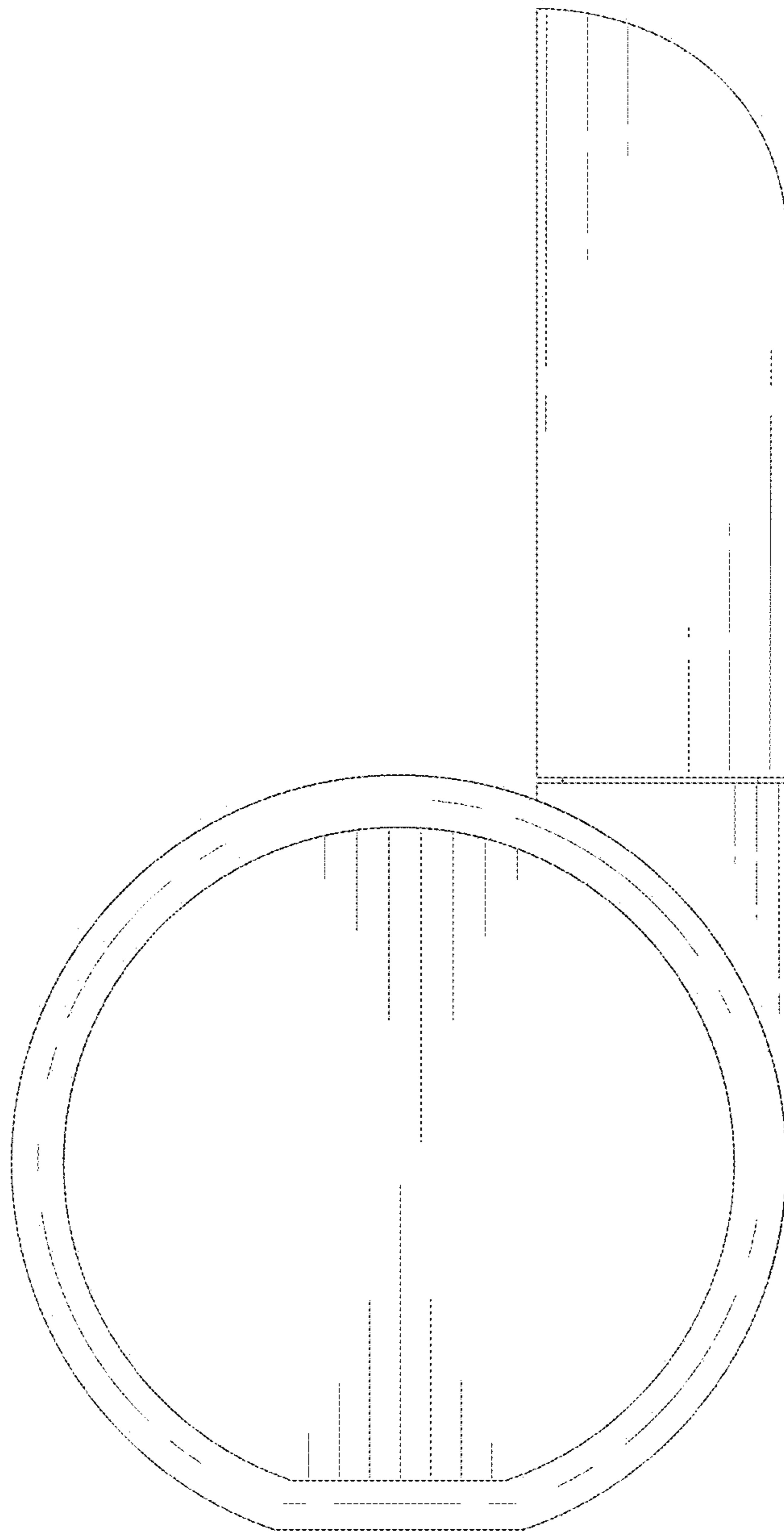


FIG. 2

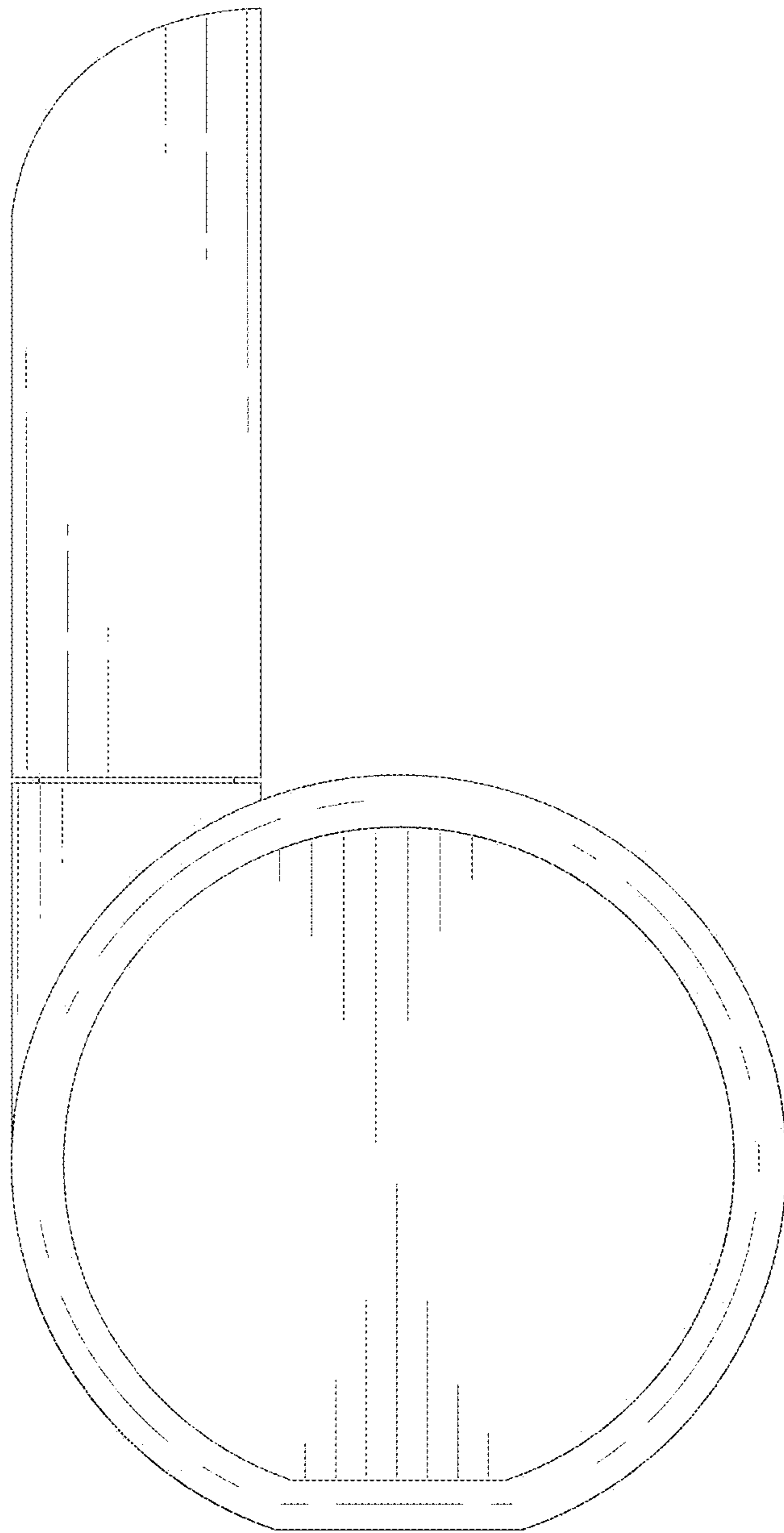


FIG. 3

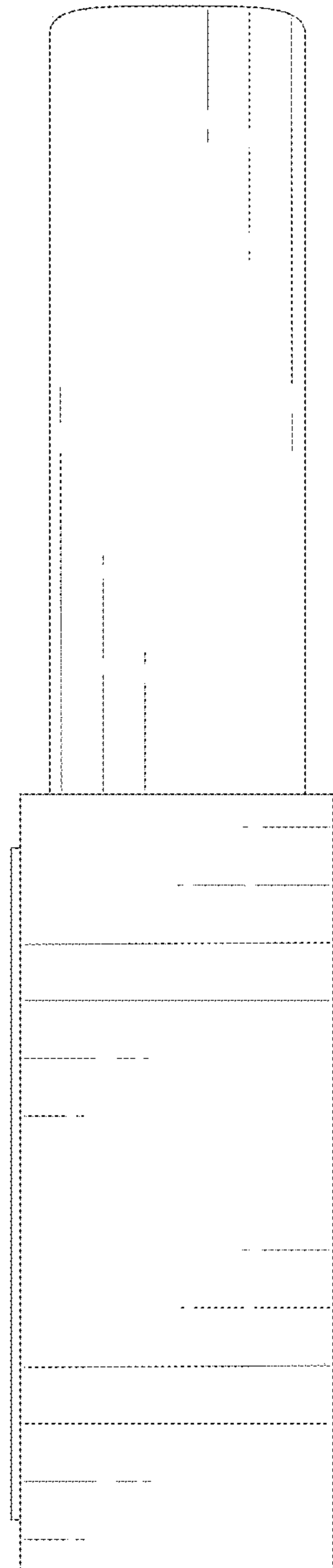


FIG. 4

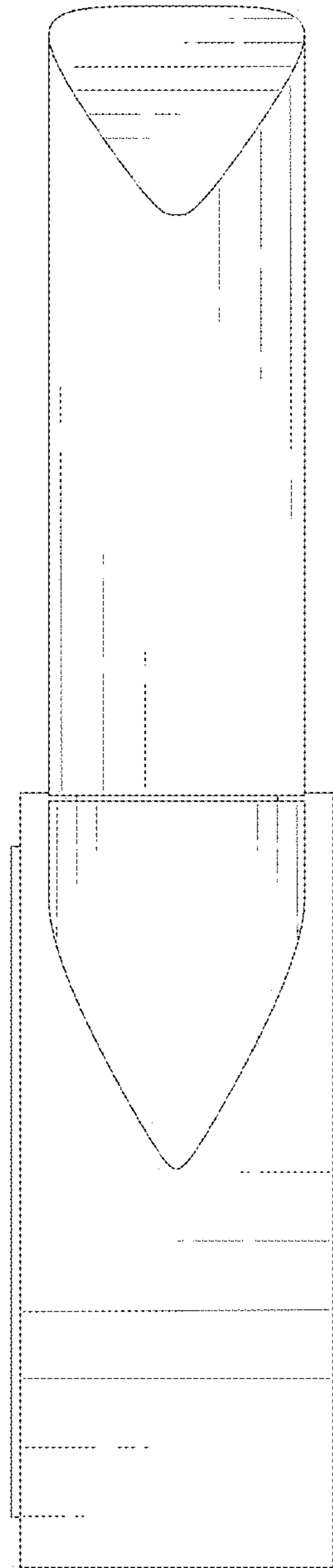


FIG. 5

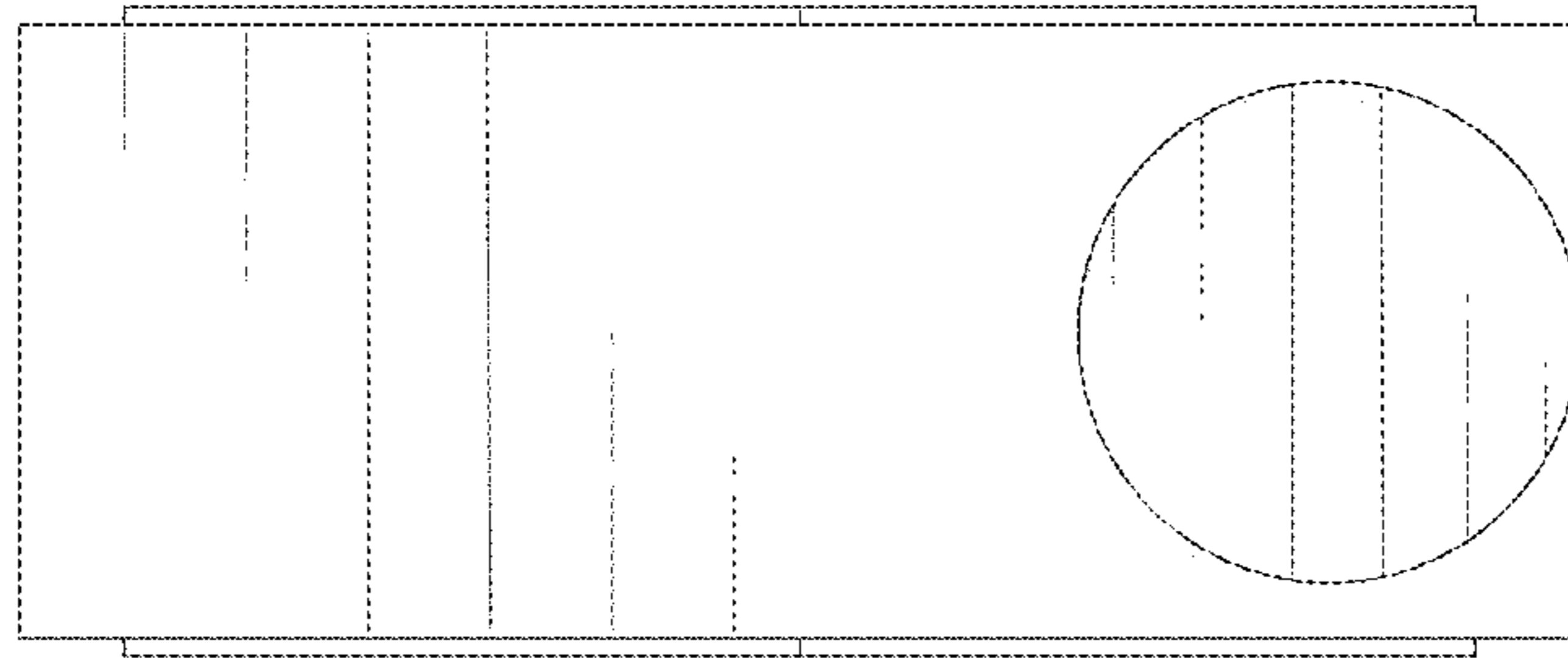


FIG. 6



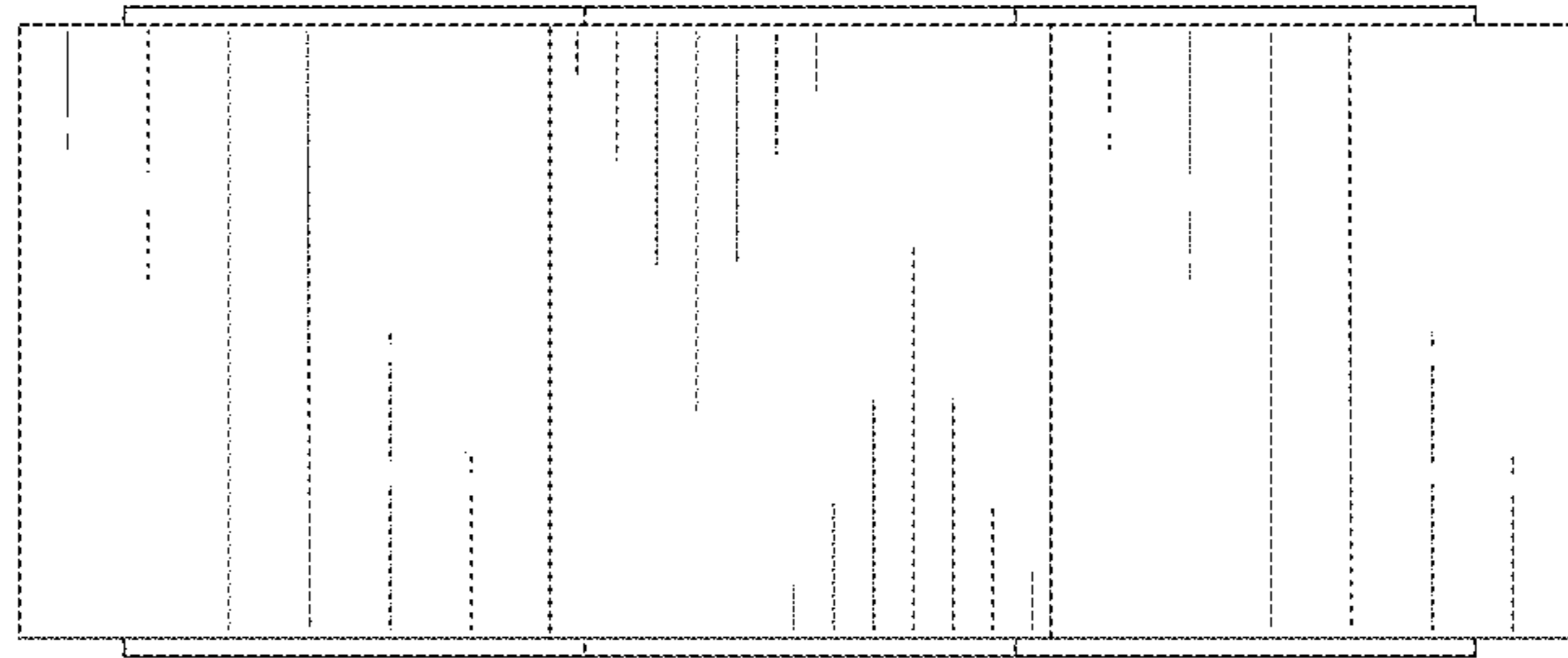


FIG. 7