



US00D986737S

(12) **United States Design Patent** (10) **Patent No.:** **US D986,737 S**
Beck et al. (45) **Date of Patent:** **** May 23, 2023**

(54) **WINE STOPPER**

(71) Applicant: **Helen of Troy Limited**, St. Michael (BB)

(72) Inventors: **Benjamin J. Beck**, Boston, MA (US); **Michael T. McDuffee**, Malden, MA (US); **Ryan Donovan**, Newton, MA (US); **Jonathan Mark Liston**, Somerville, MA (US); **Phillip Seagram**, Somerville, MA (US)

(73) Assignee: **Helen of Troy Limited**, St. Michael (BB)

(**) Term: **15 Years**

(21) Appl. No.: **29/777,742**

(22) Filed: **Apr. 8, 2021**

(51) **LOC (14) Cl.** **07-06**

(52) **U.S. Cl.**
USPC **D9/439**

(58) **Field of Classification Search**
USPC D7/392.1, 396.2; D9/434-436, 440, 443, D9/447, 449, 452-454, 499, 439
CPC B65D 41/34; B65D 39/00
See application file for complete search history.

(56) **References Cited**

U.S. PATENT DOCUMENTS

D27,780 S *	10/1897	Estes	D9/439
D33,101 S *	8/1900	Corcoran	D9/440
D120,464 S *	5/1940	Martin	D9/434
3,028,985 A *	4/1962	Pope	B65D 39/12
				215/354
D199,440 S *	10/1964	Jones	D9/439
3,343,700 A *	9/1967	Heubl	B65D 41/185
				215/320
3,424,355 A *	1/1969	Blumen	G01F 11/22
				222/562
D241,018 S *	8/1976	Amicis	D9/439

D248,873 S *	8/1978	Raitto	D9/454
D287,208 S *	12/1986	Daenen	D7/392.1
D292,673 S *	11/1987	Woodruff	D9/439
D307,713 S *	5/1990	Groves	D9/503
D328,033 S *	7/1992	DiGuisseppi	D9/439
D359,683 S *	6/1995	Beach	D9/434
D420,589 S *	2/2000	Baxter	D9/439
D437,556 S *	2/2001	Holliday	D9/454
D677,119 S *	3/2013	Ying	D7/392.1
D682,690 S *	5/2013	Bowes	D9/454

(Continued)

OTHER PUBLICATIONS

Amazon. Bettfor Champagne Stoppers with Stainless Steel Champagne Saver with Food Grade Silicone Leak proof Keep Fresh Suitable for Champagne, Cava, Prosecco and Sparkling (Silver, 2 Pack). Sep. 16, 2021. <https://amzn.to/3xH85QL> (Year: 2021).*

(Continued)

Primary Examiner — Darcey E Gottschalk

(74) *Attorney, Agent, or Firm* — Rankin, Hill & Clark LLP

(57) **CLAIM**

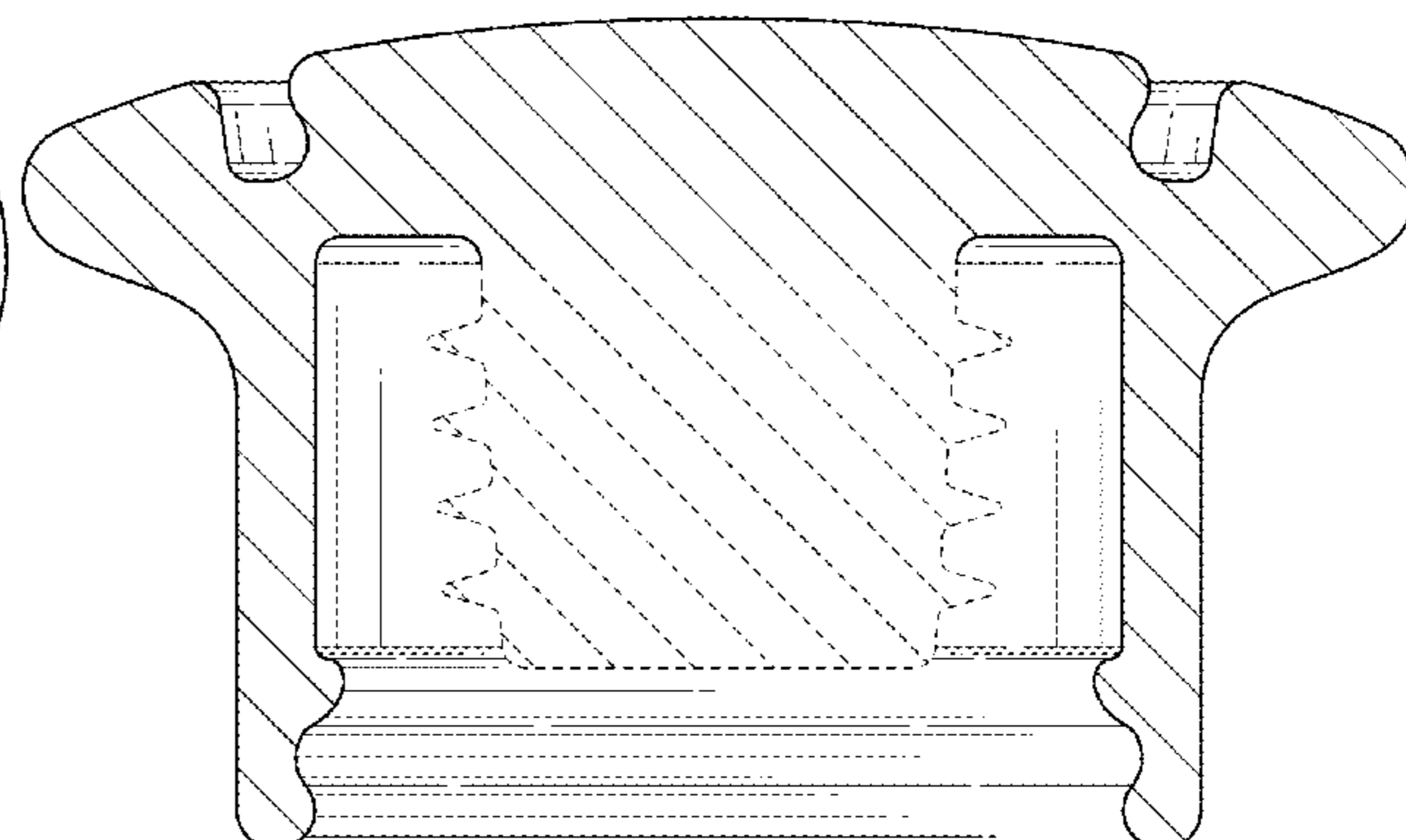
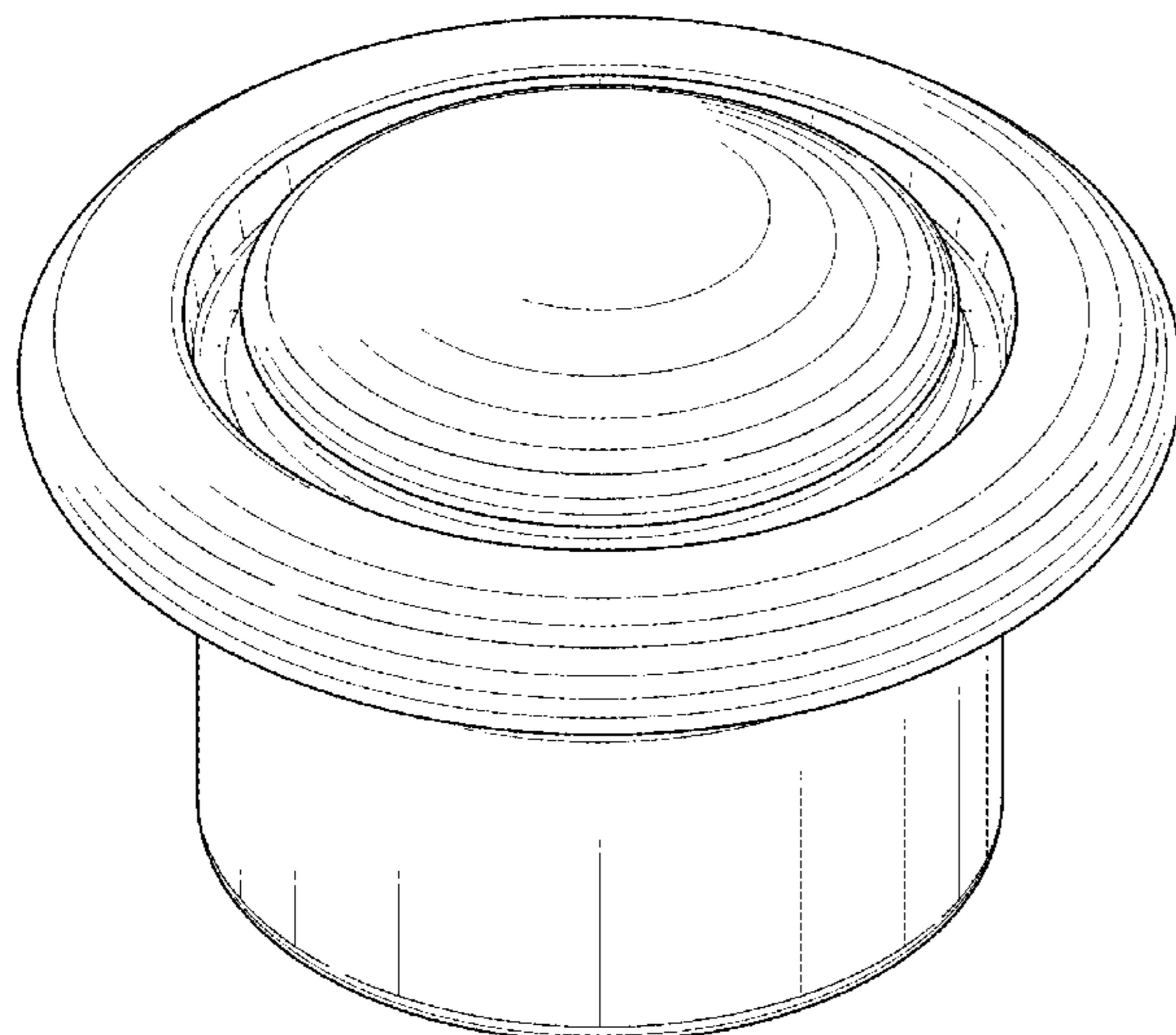
The ornamental design for a wine stopper, as shown and described.

DESCRIPTION

FIG. 1 is a perspective view of a wine stopper according to our new design;
FIG. 2 is a front elevation view thereof;
FIG. 3 is a rear elevation view thereof;
FIG. 4 is a right side elevation view thereof;
FIG. 5 is a left side elevation view thereof;
FIG. 6 is a top plan view thereof;
FIG. 7 is a bottom plan view thereof; and,
FIG. 8 is a cross-sectional view taken along line 8-8 of FIG. 6.

The broken lines in the drawings depict portions of the wine stopper that form no part of the claimed design.

1 Claim, 6 Drawing Sheets



(56)

References Cited

U.S. PATENT DOCUMENTS

D715,146 S * 10/2014 Holmes D9/447
D754,542 S * 4/2016 Shaw D9/454
D852,041 S * 6/2019 Avilés D24/220
D853,183 S * 7/2019 Adams, Jr. D7/392.1
D930,475 S * 9/2021 Srketic D9/453
D941,145 S * 1/2022 Wang D9/454
D947,025 S * 3/2022 Diaz D9/439
D955,809 S * 6/2022 Yao D7/392.1
D959,266 S * 8/2022 Hume D9/439
D959,268 S * 8/2022 Hume D9/439

OTHER PUBLICATIONS

Amazon. Cilio Stainless Steel Champagne Sealer, Bottle Stopper for Sealing Champagne Bottles Large. May 8, 2008. <https://amzn.to/3f7upwF> (Year: 2008).*

* cited by examiner

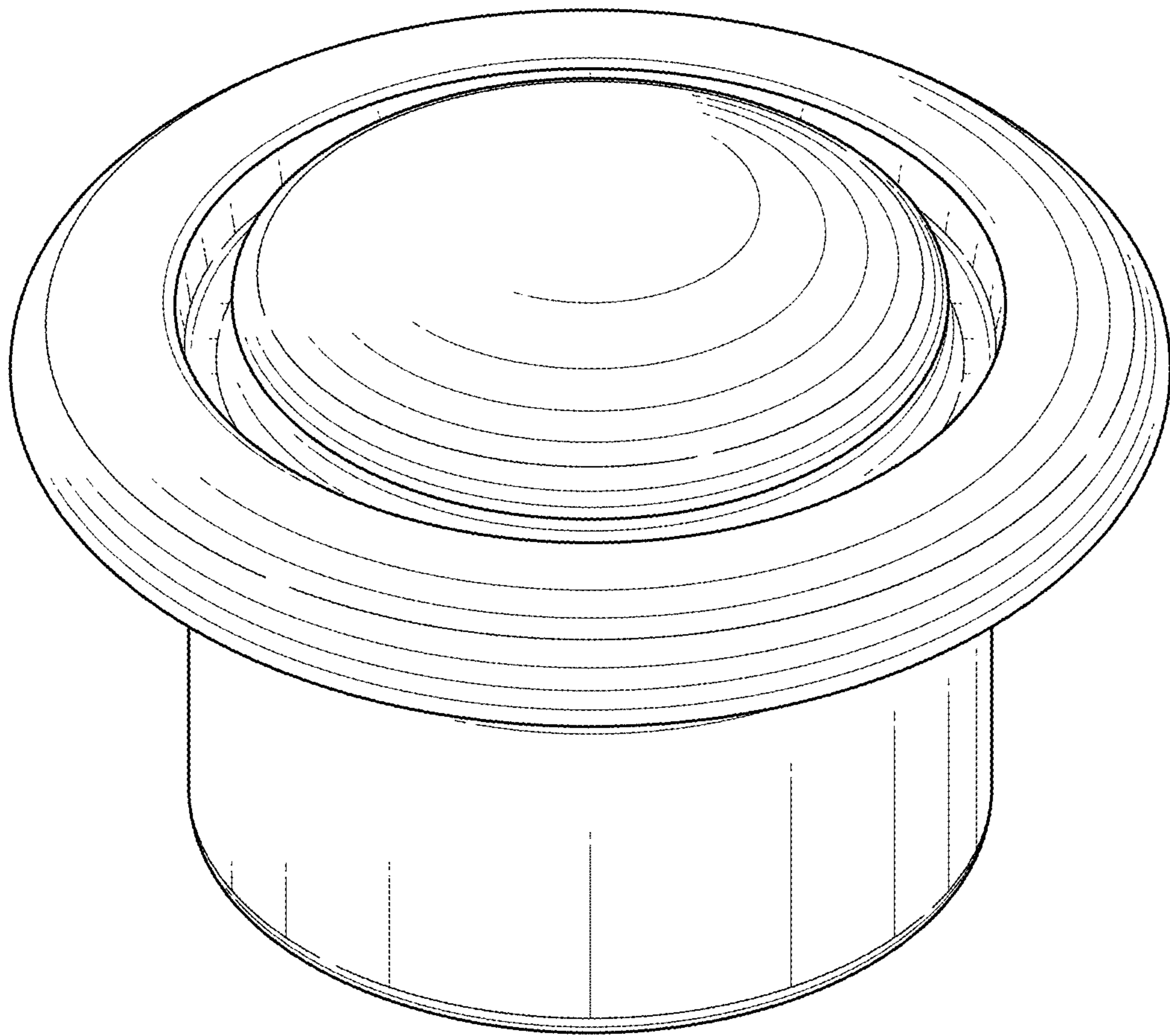


FIG. 1

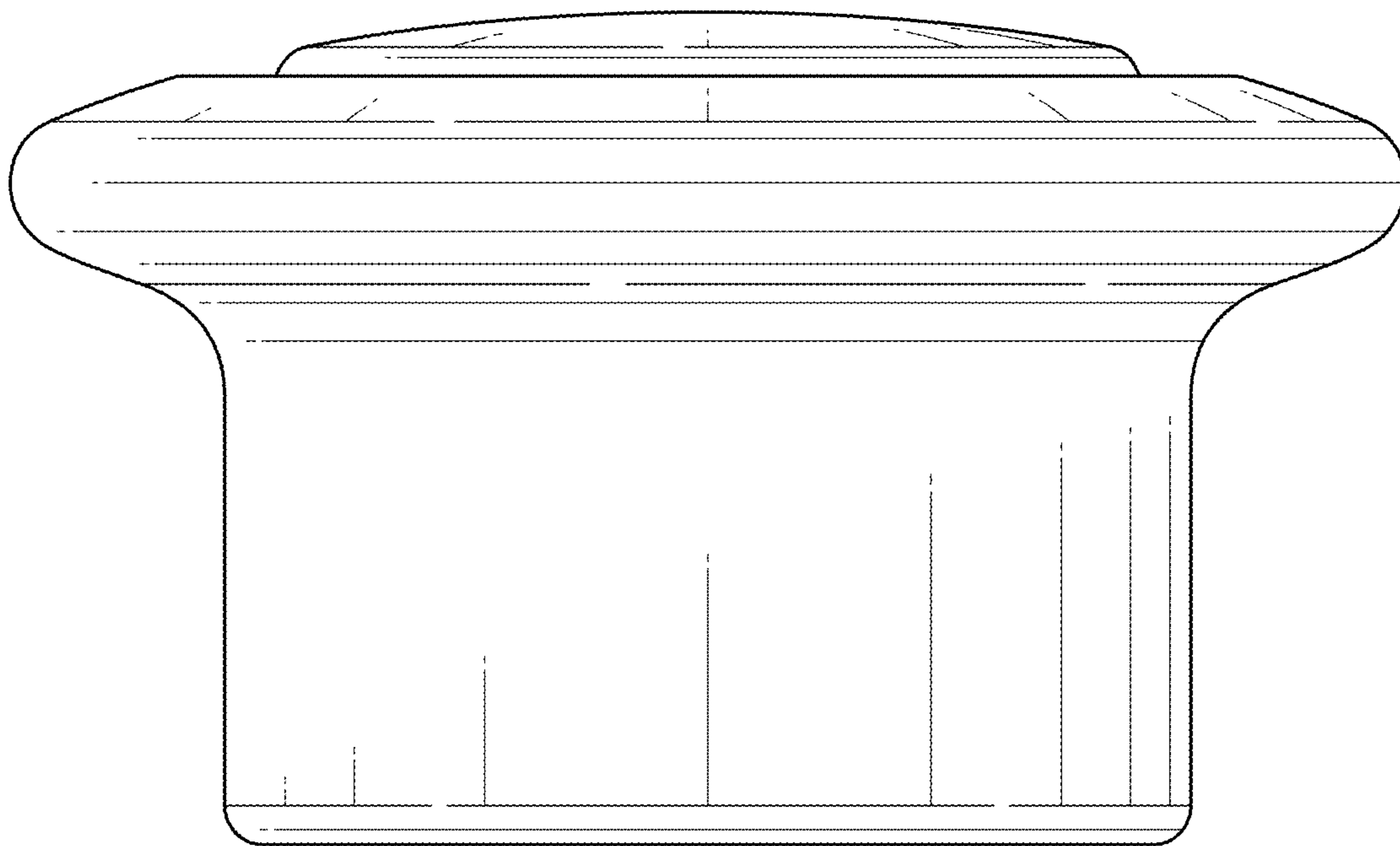


FIG. 2

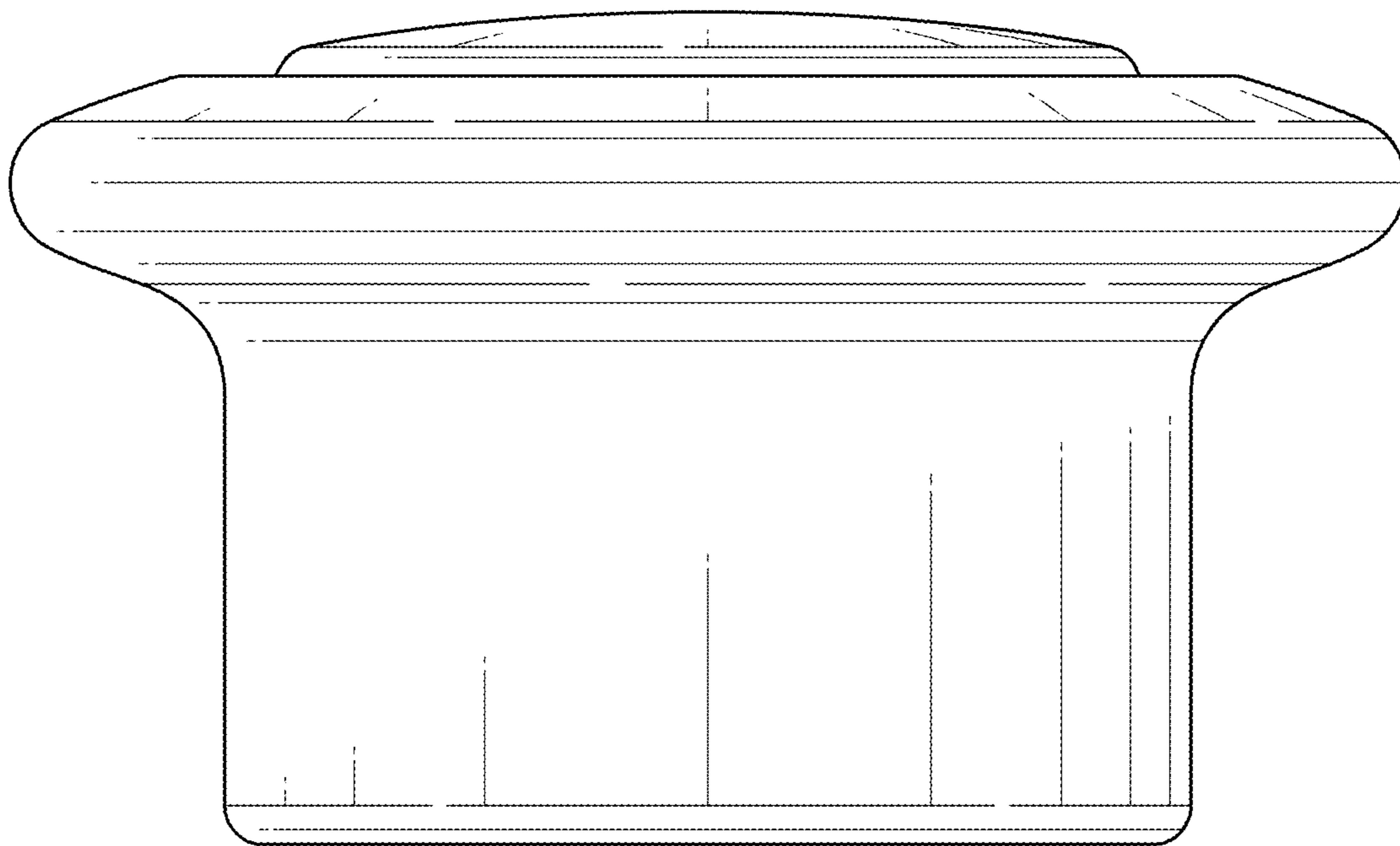


FIG. 3

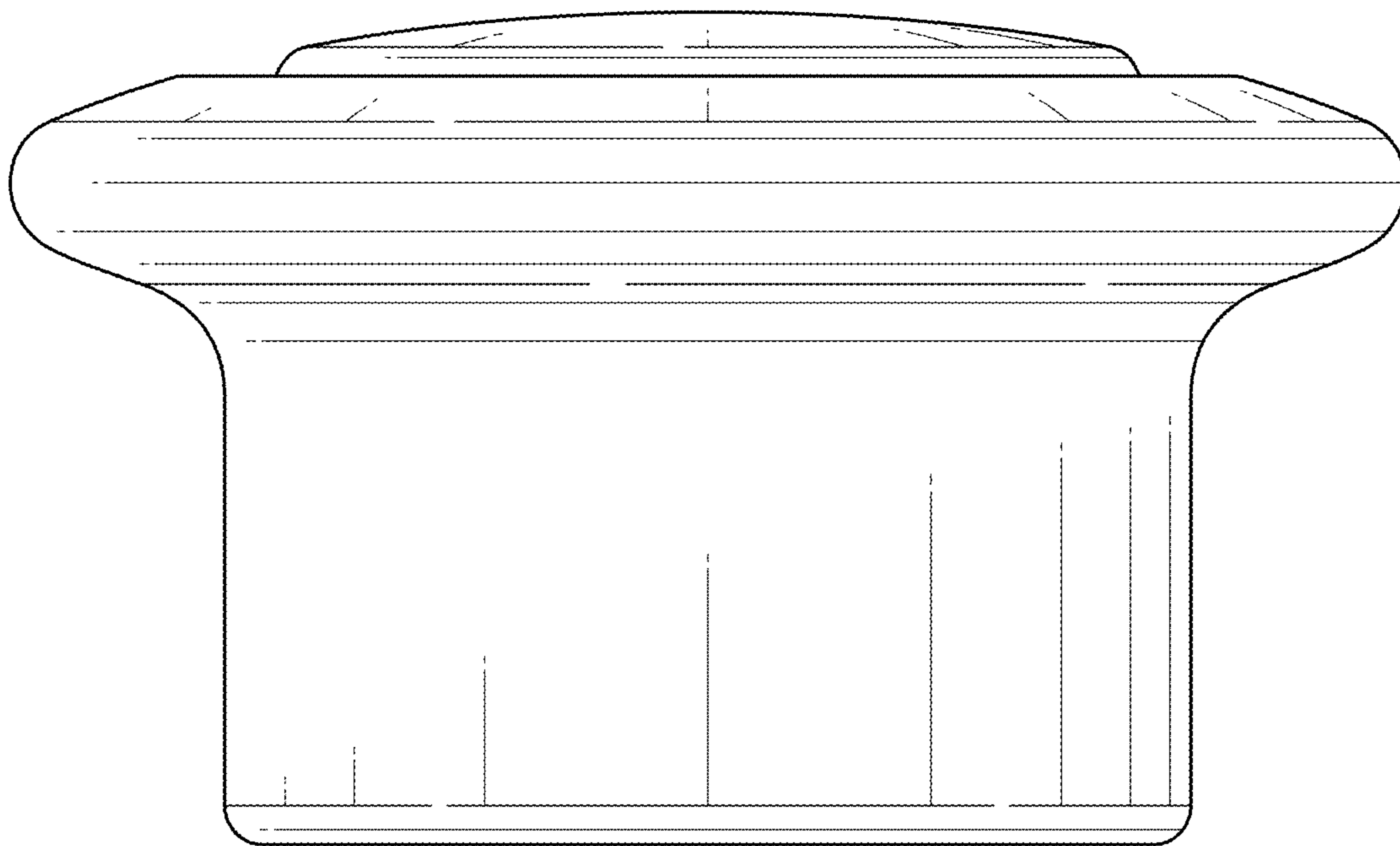


FIG. 4

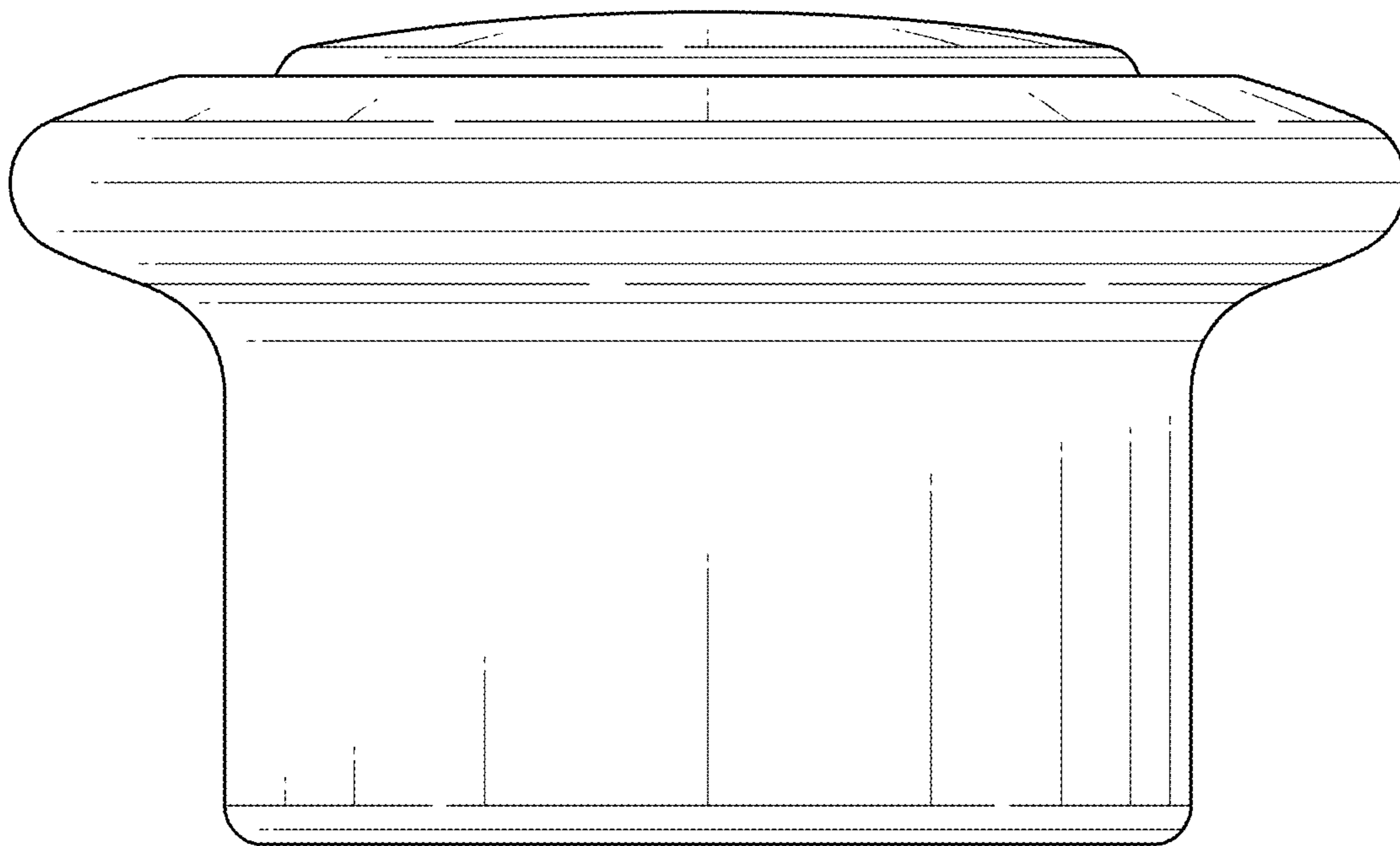


FIG. 5

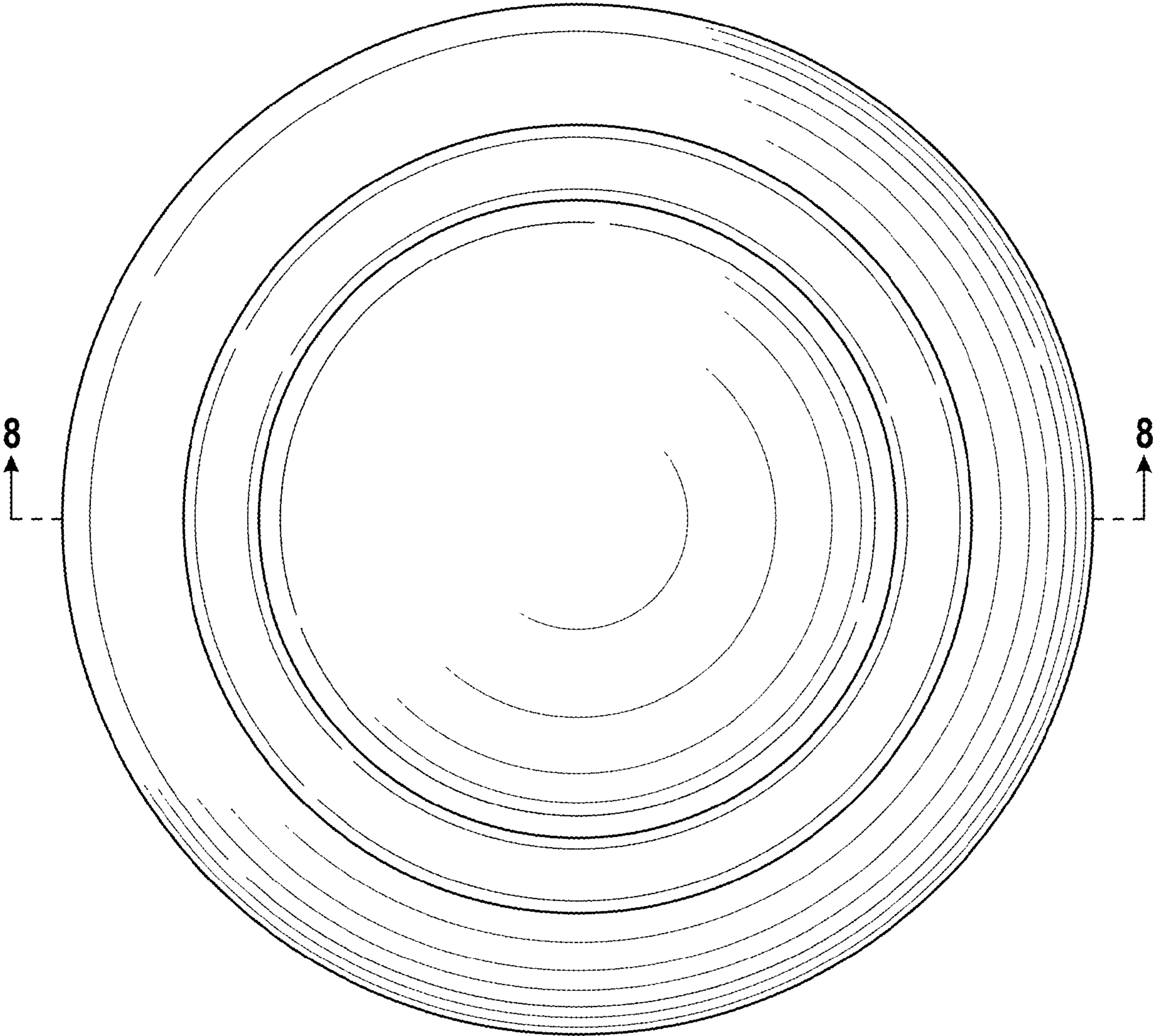


FIG. 6

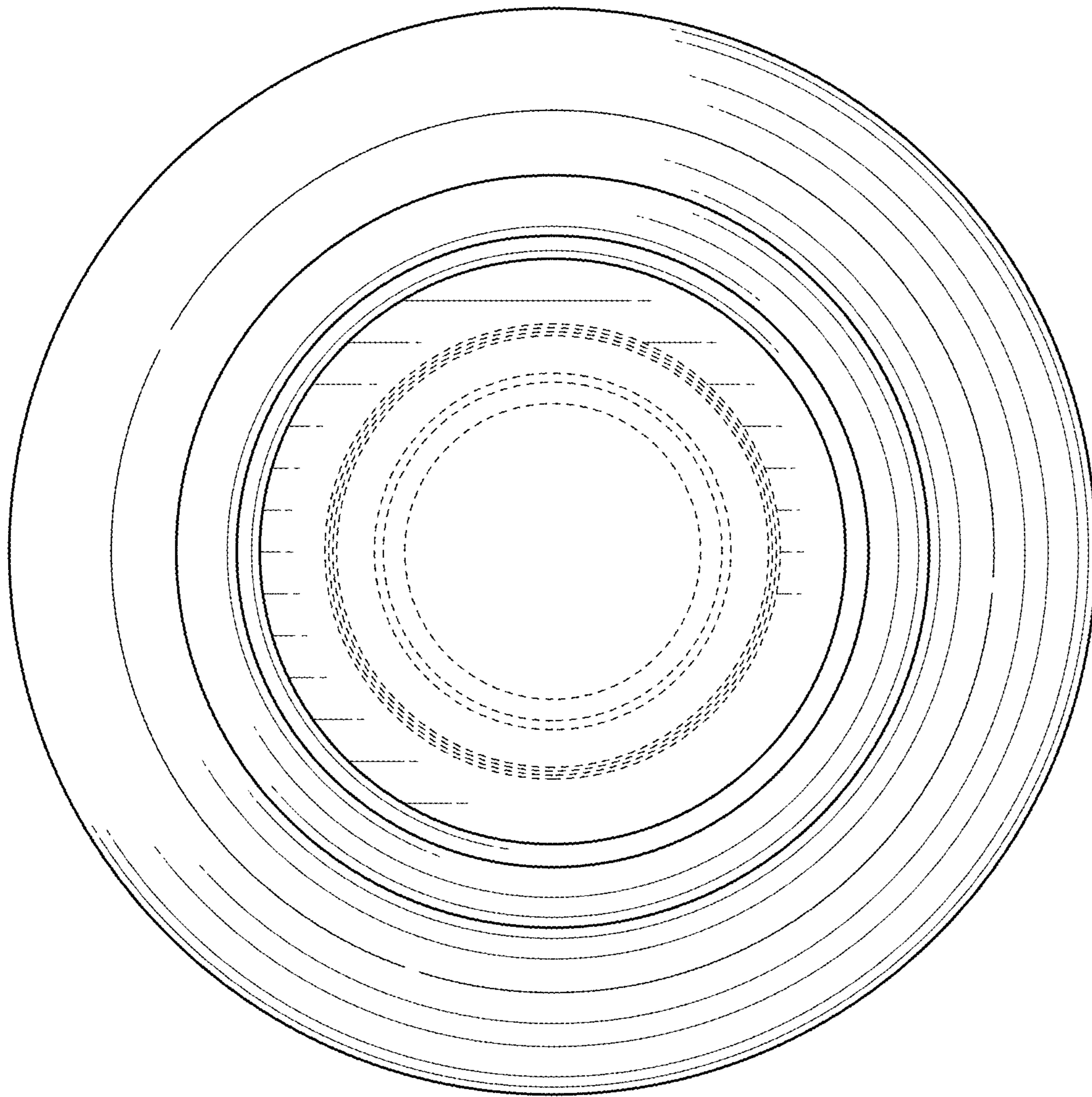


FIG. 7

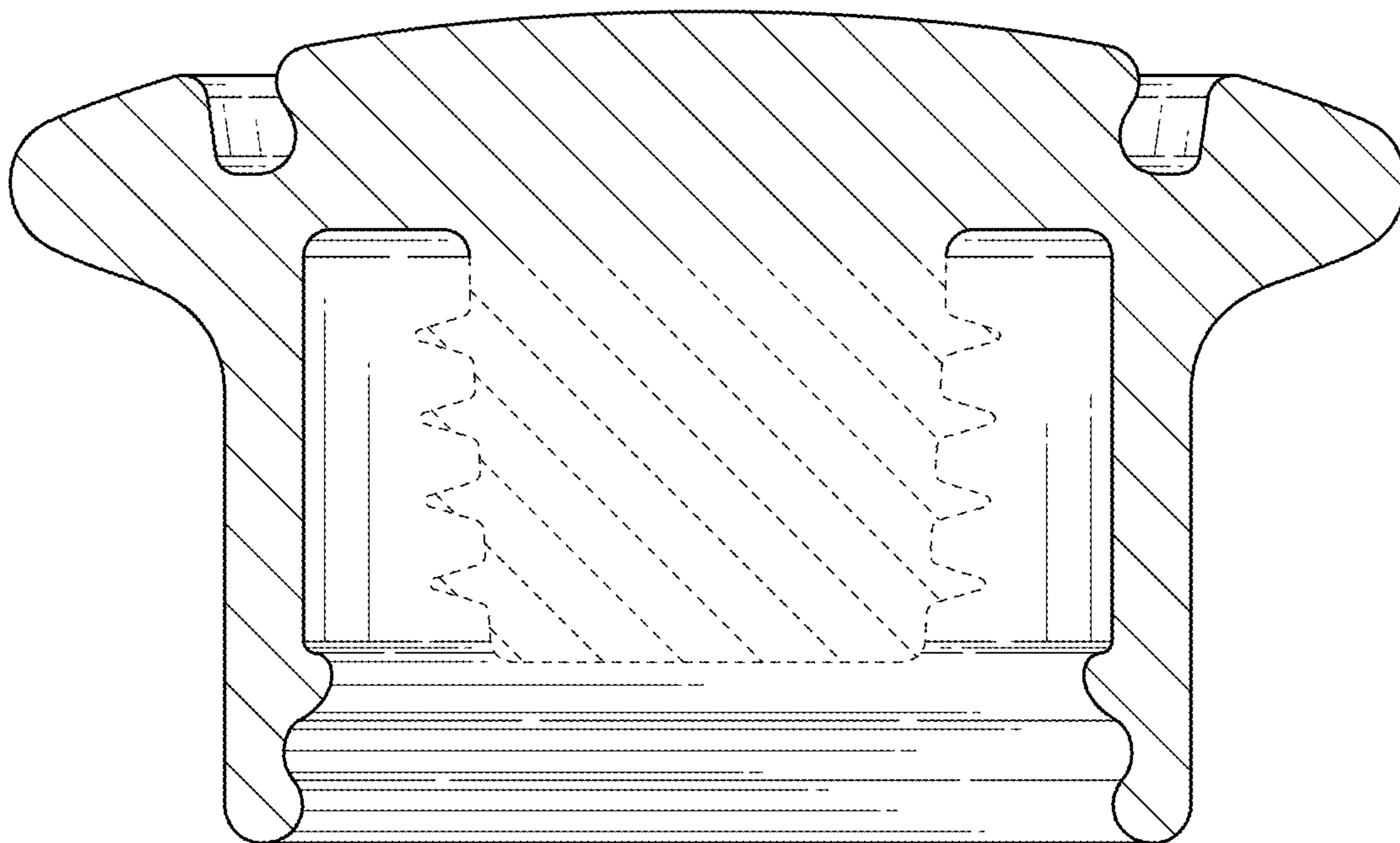


FIG. 8