



US00D986735S

(12) **United States Design Patent**
Glupker

(10) **Patent No.:** **US D986,735 S**
(45) **Date of Patent:** **** May 23, 2023**

(54) **COMBINED LID AND CONTAINER**

(71) Applicant: **BRADSHAW HOME**, Rancho Cucamonga, CA (US)

(72) Inventor: **Christopher Warren Glupker**, North Hills, CA (US)

(73) Assignee: **BRADSHAW HOME**, Rancho Cucamonga, CA (US)

(**) Term: **15 Years**

(21) Appl. No.: **29/798,766**

(22) Filed: **Jul. 9, 2021**

(51) **LOC (14) Cl.** **09-03**

(52) **U.S. Cl.**
USPC **D9/425**

(58) **Field of Classification Search**

USPC D9/414, 424, 425, 426, 430, 432, 503, D9/504, 737, 756, 759, 761; D7/538, D7/541, 542, 553.1, 553.7, 555, 557, 602, D7/629, 701, 703, 708; D3/203.3, 273, D3/283, 294, 295, 310, 313; D24/226, D24/227, 229

CPC B65B 7/26; B65B 7/28; B65D 1/24; B65D 1/34; B65D 1/36; B65D 21/0222; B65D 21/0233; B65D 2251/00; B65D 25/04; B65D 2543/00194; B65D 2543/00296; B65D 2543/00537; B65D 2543/00555; B65D 2543/00657; B65D 2581/3425; B65D 43/0208; B65D 43/0218; B65D 43/162; B65D 43/169; B65D 45/00; B65D 77/046; B65D 81/3294; B65D 81/3813; A47G 19/02; A47G 23/0608; Y10S 229/904

See application file for complete search history.

(56) **References Cited**

U.S. PATENT DOCUMENTS

3,401,863 A * 9/1968 Earl B65D 1/36 229/5.83
D305,409 S * 1/1990 Michaud D9/759
D352,203 S * 11/1994 Campbell D7/546
5,419,451 A * 5/1995 Bitel, Jr. B65D 43/0212 206/508

(Continued)

FOREIGN PATENT DOCUMENTS

KR 301055296.0000 * 4/2020
KR 301102496.0000 * 3/2021

OTHER PUBLICATIONS

Reusable 3-Compartment Container, posted at Amazon.com on Dec. 14, 2016, [site visited Jul. 25, 2022]. Available from internet, URL: <<https://www.amazon.com/dp/B01MXYD84Y/>> (Year: 2016).*

(Continued)

Primary Examiner — Andrew Kerr

Assistant Examiner — Chariton Alexakis

(74) *Attorney, Agent, or Firm* — Birch, Stewart, Kolasch & Birch, LLP

(57) **CLAIM**

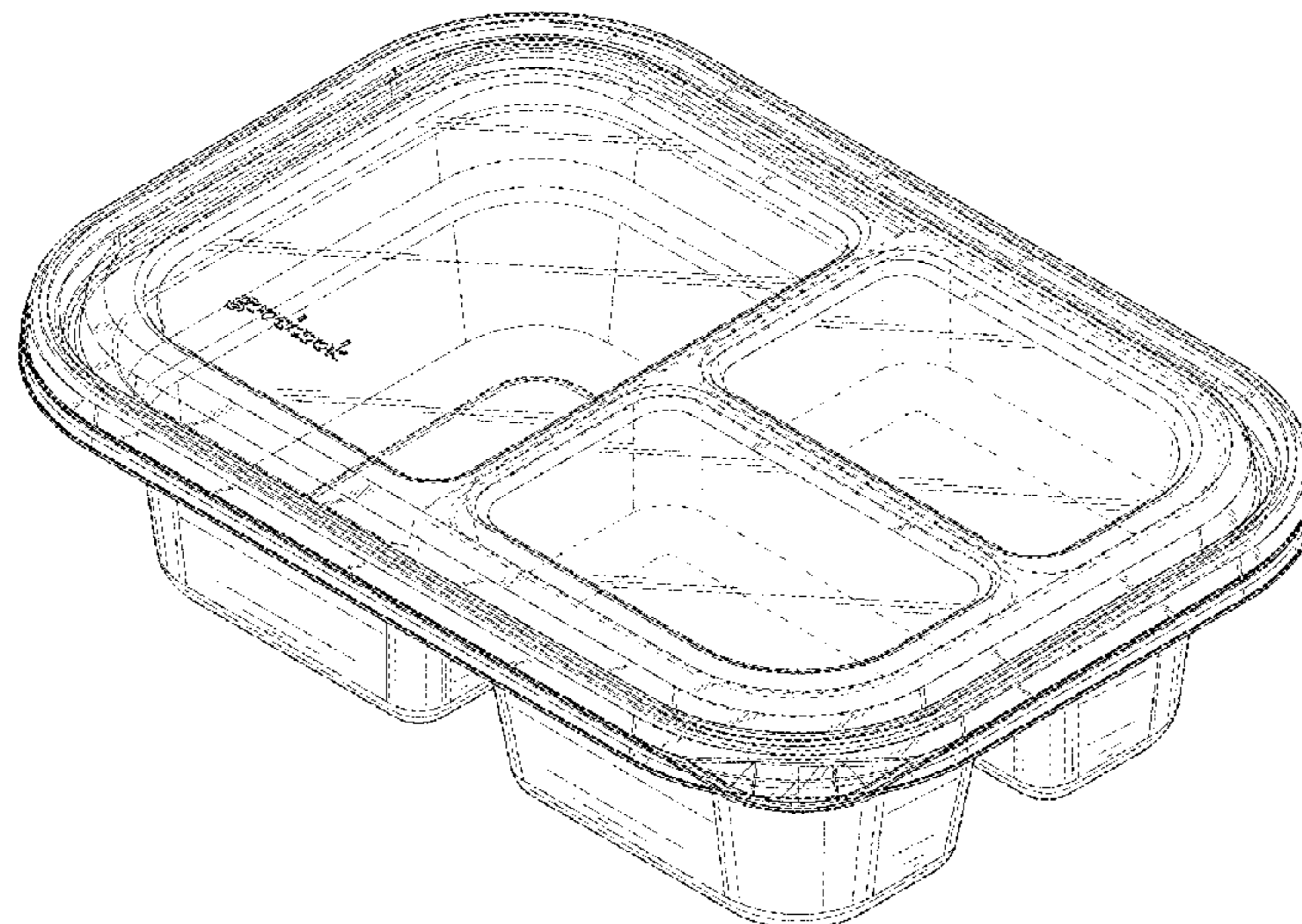
The ornamental design for a combined lid and container, as shown and described.

DESCRIPTION

FIG. 1 is a front, top, right perspective view of a combined lid and container showing my new design;
FIG. 2 is an exploded view thereof;
FIG. 3 is a front elevational view thereof;
FIG. 4 is a rear elevational view thereof;
FIG. 5 is a left side elevational view thereof;
FIG. 6 is a right side elevational view thereof;
FIG. 7 is a top plan view thereof; and,
FIG. 8 is a bottom plan view thereof.

The broken lines in the Figures are for the purpose of illustrating portions of the combined lid and container and form no part of the claimed design.

1 Claim, 8 Drawing Sheets



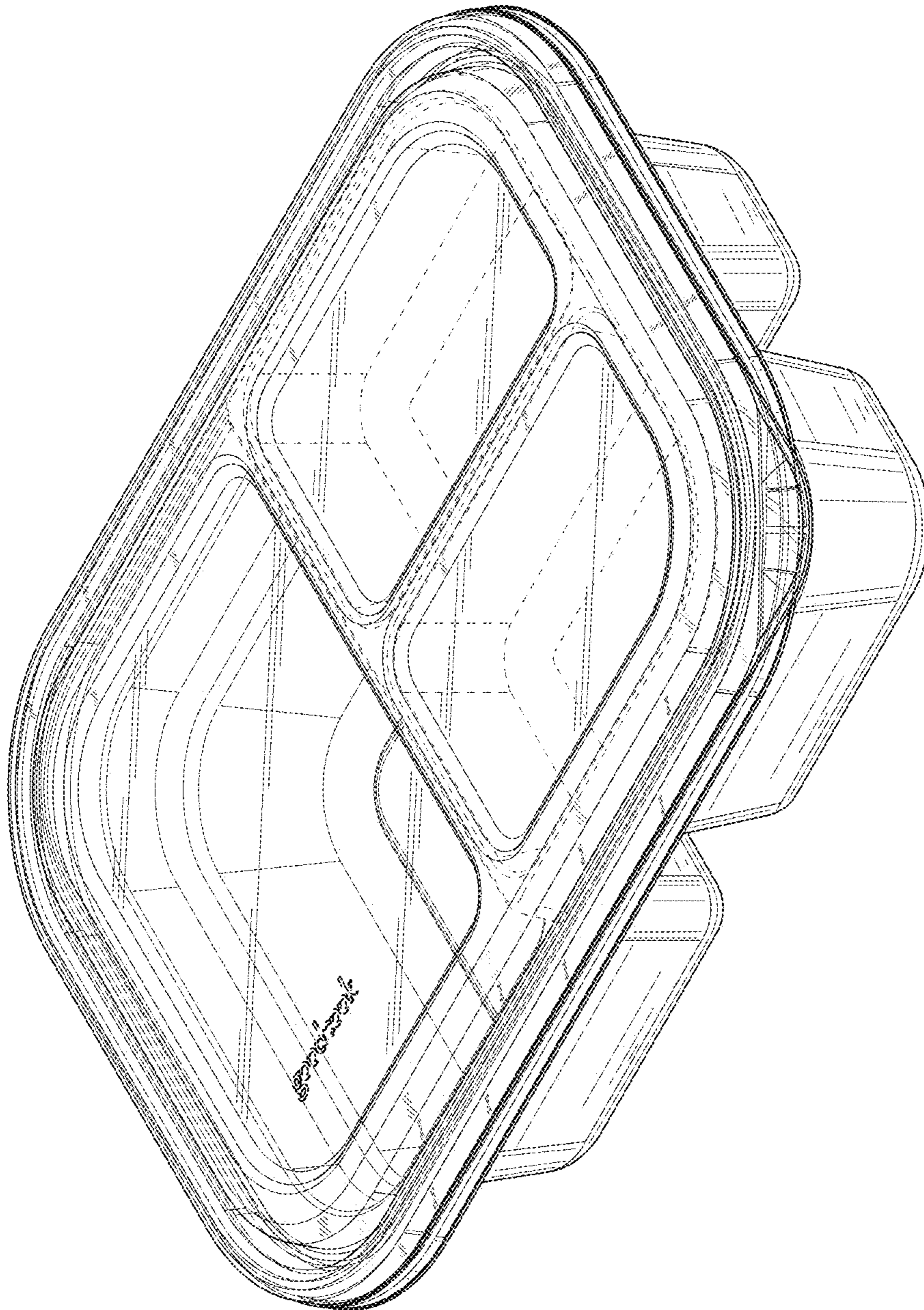


FIG. 1



FIG. 2

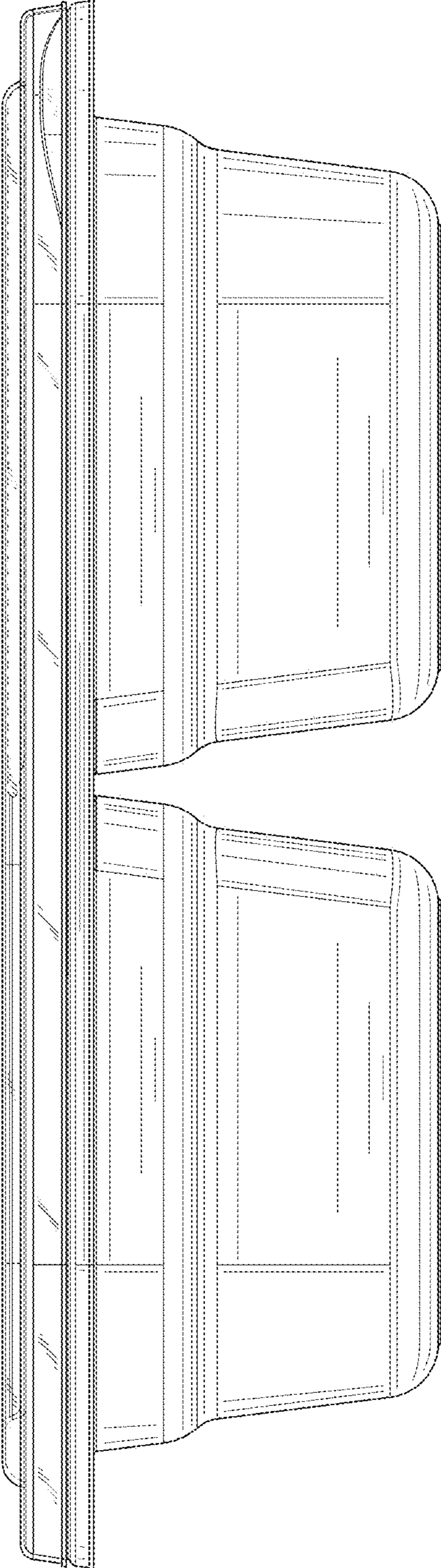


FIG. 3

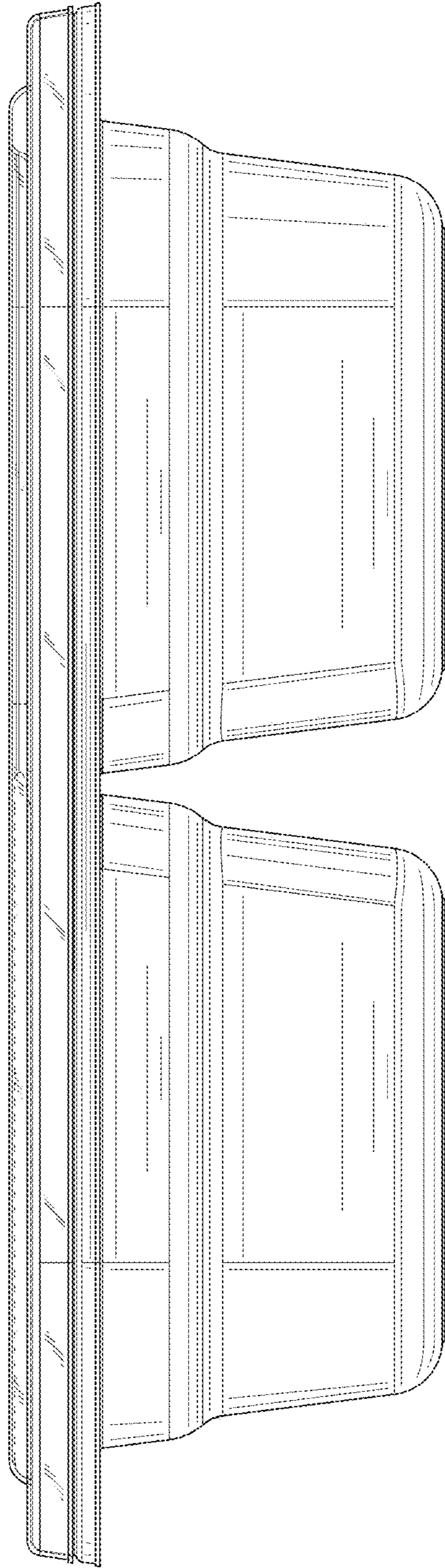


FIG. 4

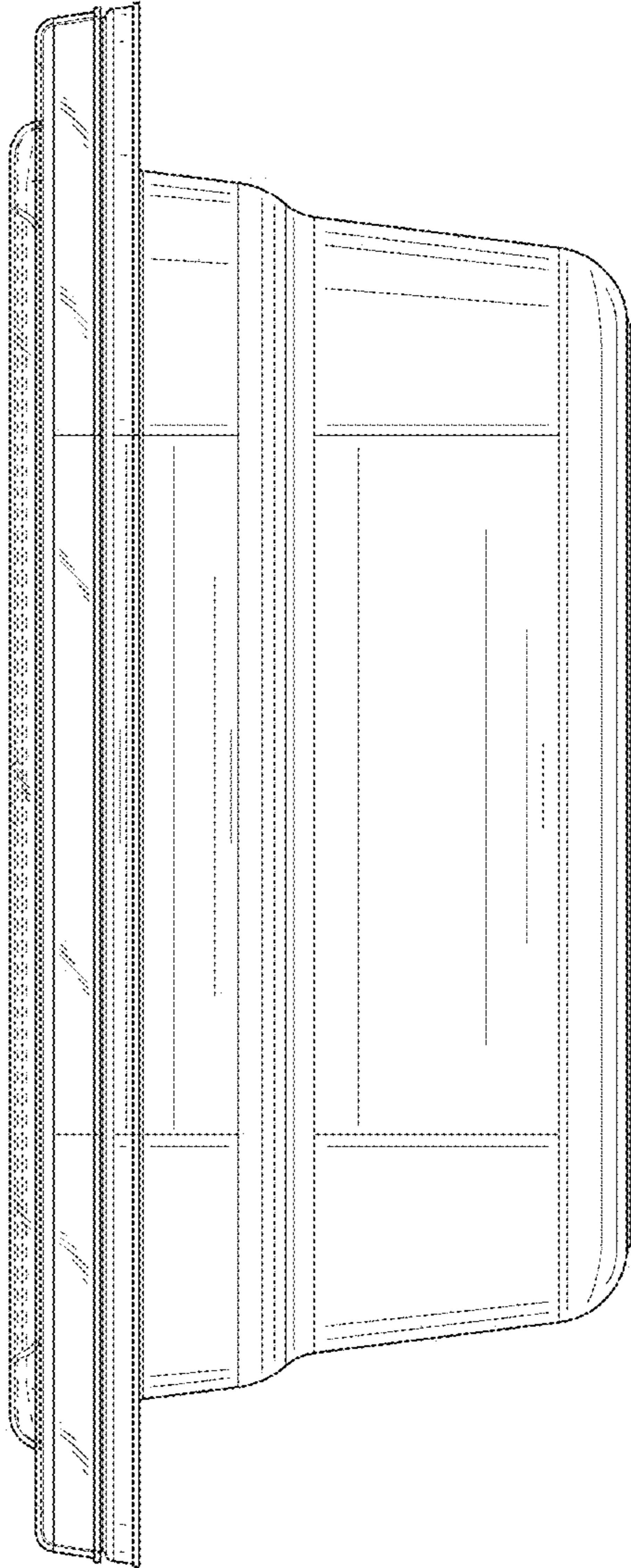


FIG. 5

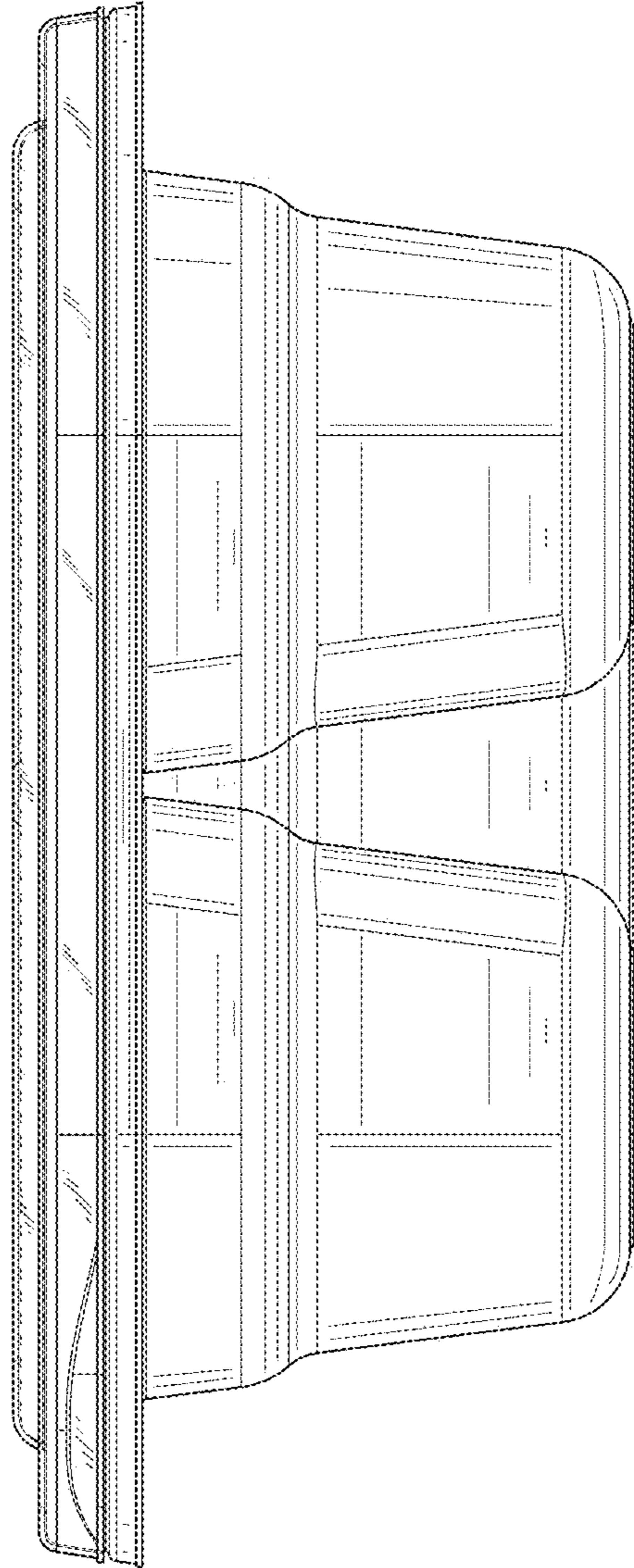


FIG. 6

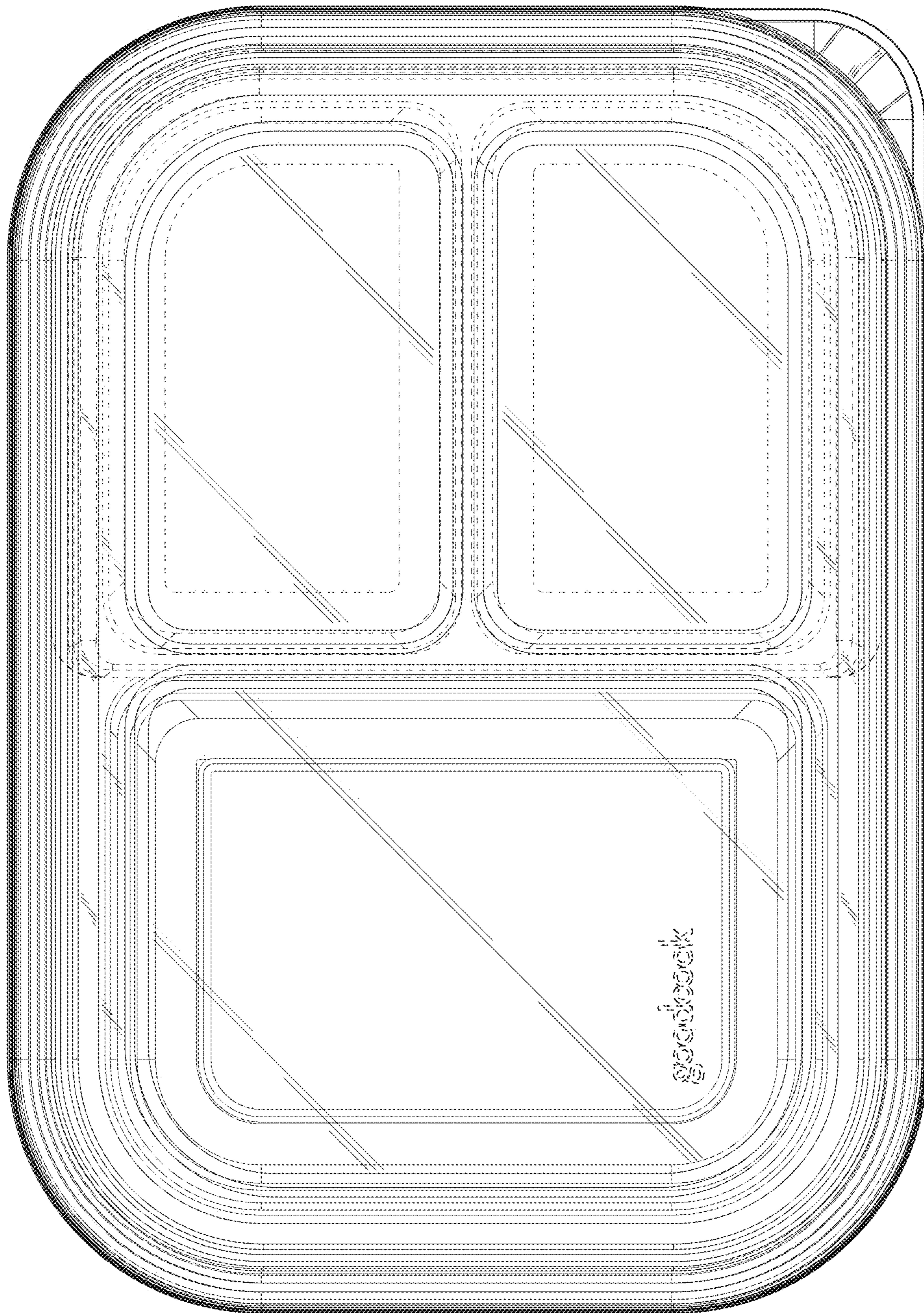


FIG. 7

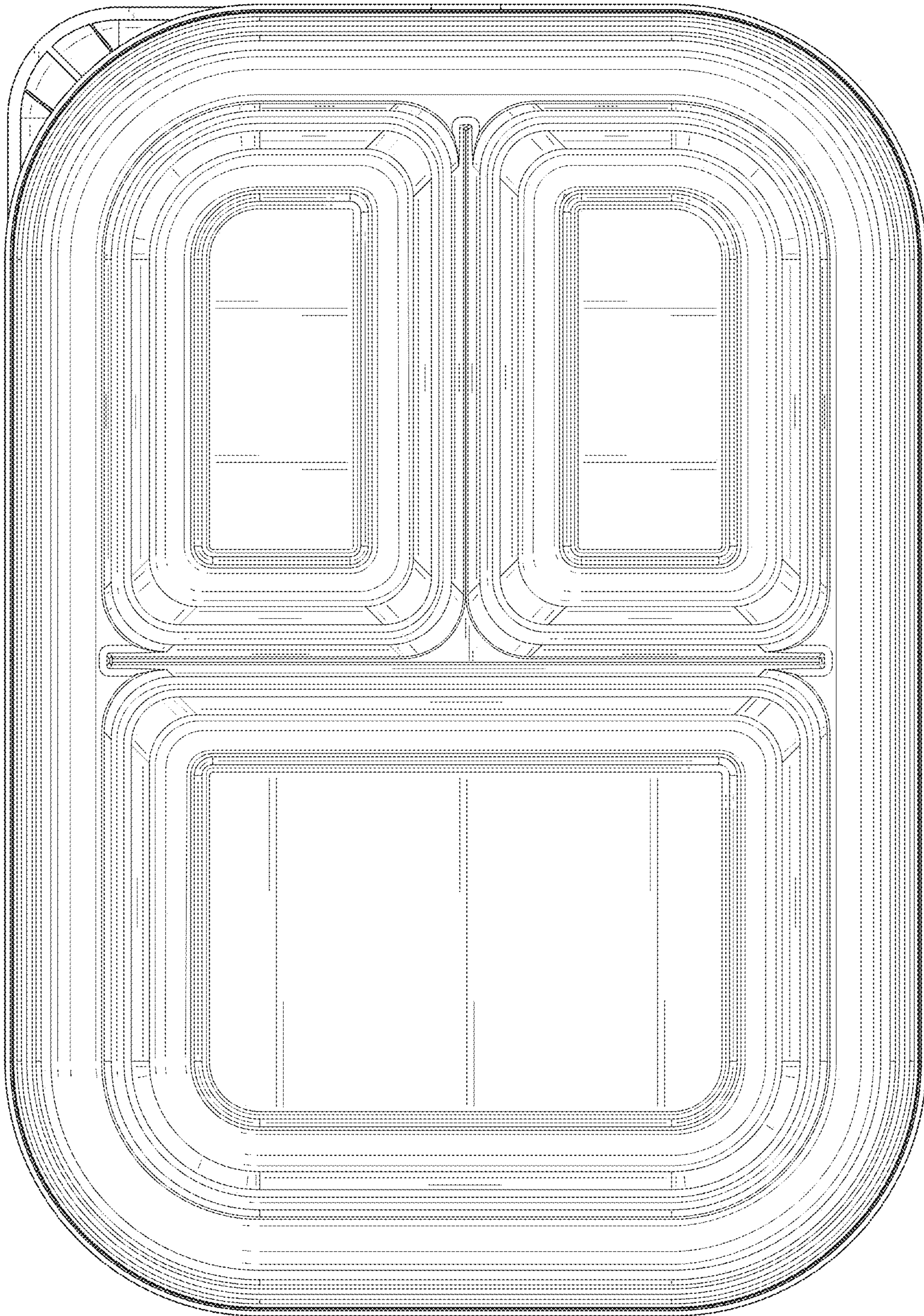


FIG. 8