



US00D986734S

(12) **United States Design Patent**  
**Glupker**

(10) **Patent No.:** **US D986,734 S**  
(45) **Date of Patent:** **\*\* May 23, 2023**

(54) **COMBINED LID AND CONTAINER**

(71) Applicant: **BRADSHAW HOME**, Rancho Cucamonga, CA (US)

(72) Inventor: **Christopher Warren Glupker**, North Hills, CA (US)

(73) Assignee: **BRADSHAW HOME**, Rancho Cucamonga, CA (US)

(\*\*) Term: **15 Years**

(21) Appl. No.: **29/798,760**

(22) Filed: **Jul. 9, 2021**

(51) **LOC (14) Cl.** ..... **09-03**

(52) **U.S. Cl.**  
USPC ..... **D9/425**

(58) **Field of Classification Search**

USPC ..... D9/414, 424, 425, 426, 430, 432, 503, D9/504, 737, 756, 759, 761; D7/538, D7/541, 542, 553.1, 553.7, 555, 557, 602, D7/629, 701, 703, 708; D3/203.3, 273, D3/283, 294, 295, 310, 313; D24/226, D24/227, 229

CPC .... B65B 7/26; B65B 7/28; B65D 1/24; B65D 1/34; B65D 1/36; B65D 21/0222; B65D 21/0233; B65D 2251/00; B65D 25/04; B65D 2543/00194; B65D 2543/00296; B65D 2543/00537; B65D 2543/00555; B65D 2543/00657; B65D 2581/3425; B65D 43/0208; B65D 43/0218; B65D 43/162; B65D 43/169; B65D 45/00; B65D 77/046; B65D 81/3294; B65D 81/3813; A47G 19/02; A47G 23/0608; Y10S 229/904

See application file for complete search history.

(56) **References Cited**

**U.S. PATENT DOCUMENTS**

4,574,174 A \* 3/1986 McGonigle ..... B65D 81/3453 426/243  
D284,727 S \* 7/1986 Gerber ..... D7/546  
D305,409 S \* 1/1990 Michaud ..... D9/759  
D372,170 S \* 7/1996 Ahern, Jr. .... D7/553.3

(Continued)

**FOREIGN PATENT DOCUMENTS**

JP D1680654 \* 2/2021

**OTHER PUBLICATIONS**

Bentgo 2-Compartment Container, posted at Amazon.com on Jul. 23, 2020, [site visited Jul. 25, 2022]. Available from internet, URL: <<https://www.amazon.com/Bentgo-2-Compartment-Meal-Prep-Containers-Custom-Fit/dp/B08DJZP18K/>> (Year: 2020).\*

(Continued)

*Primary Examiner* — Andrew Kerr

*Assistant Examiner* — Chariton Alexakis

(74) *Attorney, Agent, or Firm* — Birch, Stewart, Kolasch & Birch, LLP

(57) **CLAIM**

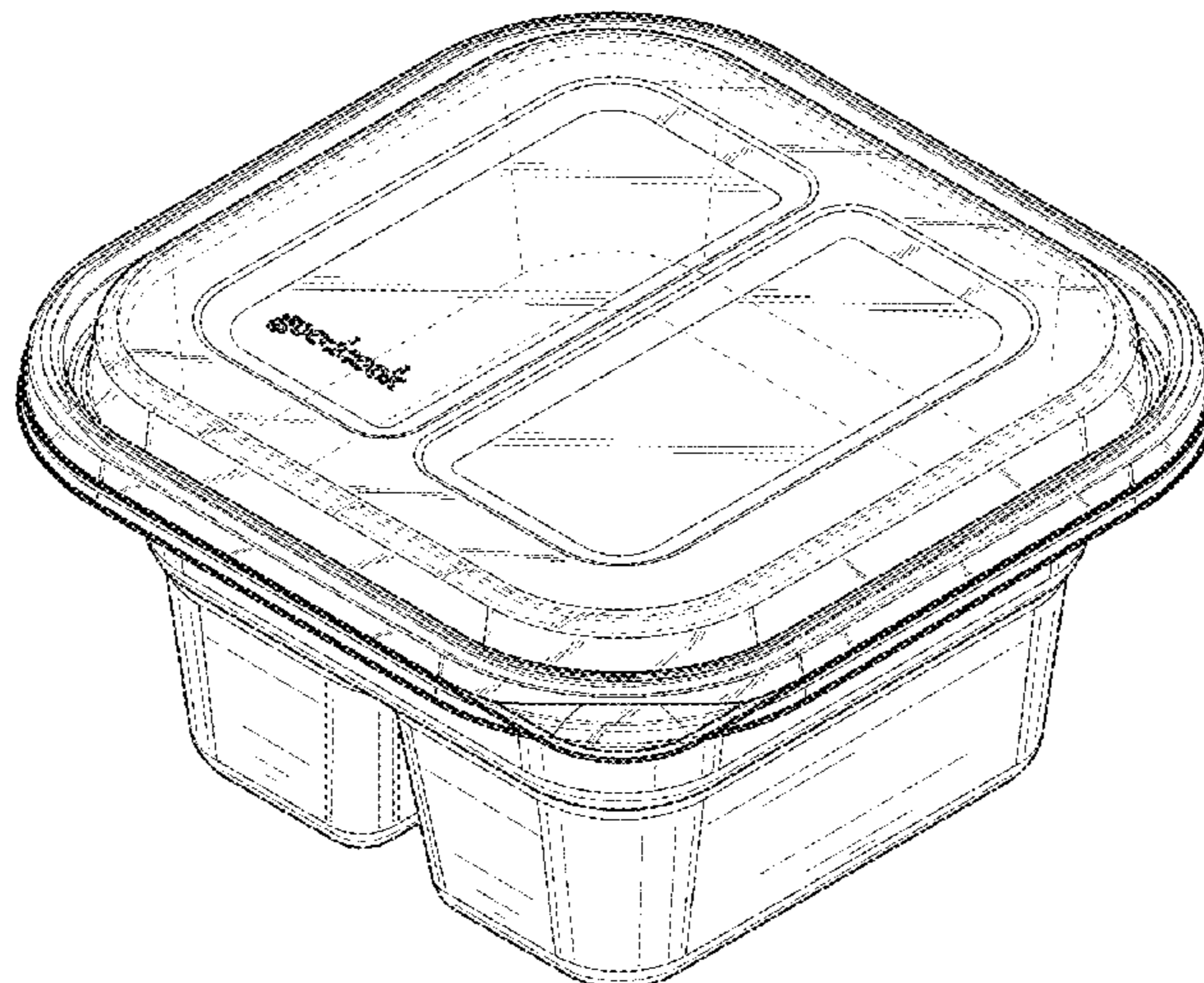
The ornamental design for a combined lid and container, as shown and described.

**DESCRIPTION**

FIG. 1 is a front, top, right perspective view of a combined lid and container showing my new design; FIG. 2 is an exploded view thereof; FIG. 3 is a front elevation view thereof; FIG. 4 is a rear elevation view thereof; FIG. 5 is a left side elevation view thereof; FIG. 6 is a right side elevation view thereof; FIG. 7 is a top plan view thereof; and, FIG. 8 is a bottom plan view thereof.

The broken lines in the Figures are for the purpose of illustrating portions of the combined lid and container and form no part of the claimed design.

**1 Claim, 8 Drawing Sheets**



(56)

## References Cited

## U.S. PATENT DOCUMENTS

D448,130 S \* 9/2001 Wagner ..... D32/53.1  
6,609,627 B1 \* 8/2003 Clarke ..... B65D 43/162  
220/592.2  
D504,325 S \* 4/2005 Vovan ..... D9/425  
D515,880 S \* 2/2006 Lerner ..... D7/629  
D553,010 S \* 10/2007 Cutts ..... D9/761  
D557,047 S \* 12/2007 Dretzka ..... D3/304  
D606,812 S \* 12/2009 Wu ..... D7/629  
D643,311 S \* 8/2011 Meyers ..... D9/761  
D645,708 S \* 9/2011 Stamper ..... D7/602  
D691,901 S \* 10/2013 Epstein ..... D9/425  
D696,910 S \* 1/2014 Franczyk ..... D7/629  
D778,115 S \* 2/2017 Strachan ..... D7/553.1  
D823,106 S \* 7/2018 Lam ..... D9/426  
D876,903 S \* 3/2020 Moore ..... D7/602  
D905,572 S \* 12/2020 Flanagan ..... B65D 43/162  
D9/425  
D913,045 S \* 3/2021 Samartgis ..... B65D 81/3453  
D7/602

## OTHER PUBLICATIONS

Mainstays 2-Compartment Meal Prep Food Storage Container, posted at Walmart.com(date not available), [site visited Jul. 26, 2022]. Available from internet, URL: <<https://www.walmart.com/ip/Mainstays-15PK-2-Compartment-Meal-Prep-Food-Storage-Container-Clear-Lid-Black-Container-900ML/830712836>> (Year: NA).\*

Smelha Lunch Container, posted at Amazon.com on (date not available), [site visited Jul. 26, 2022]. Available from internet, URL: <<https://www.amazon.com/SMELHA-Containers-Compartments-Microwave-Dishwasher/dp/B07WS8YXP9/>> (Year: NA).\*

\* cited by examiner

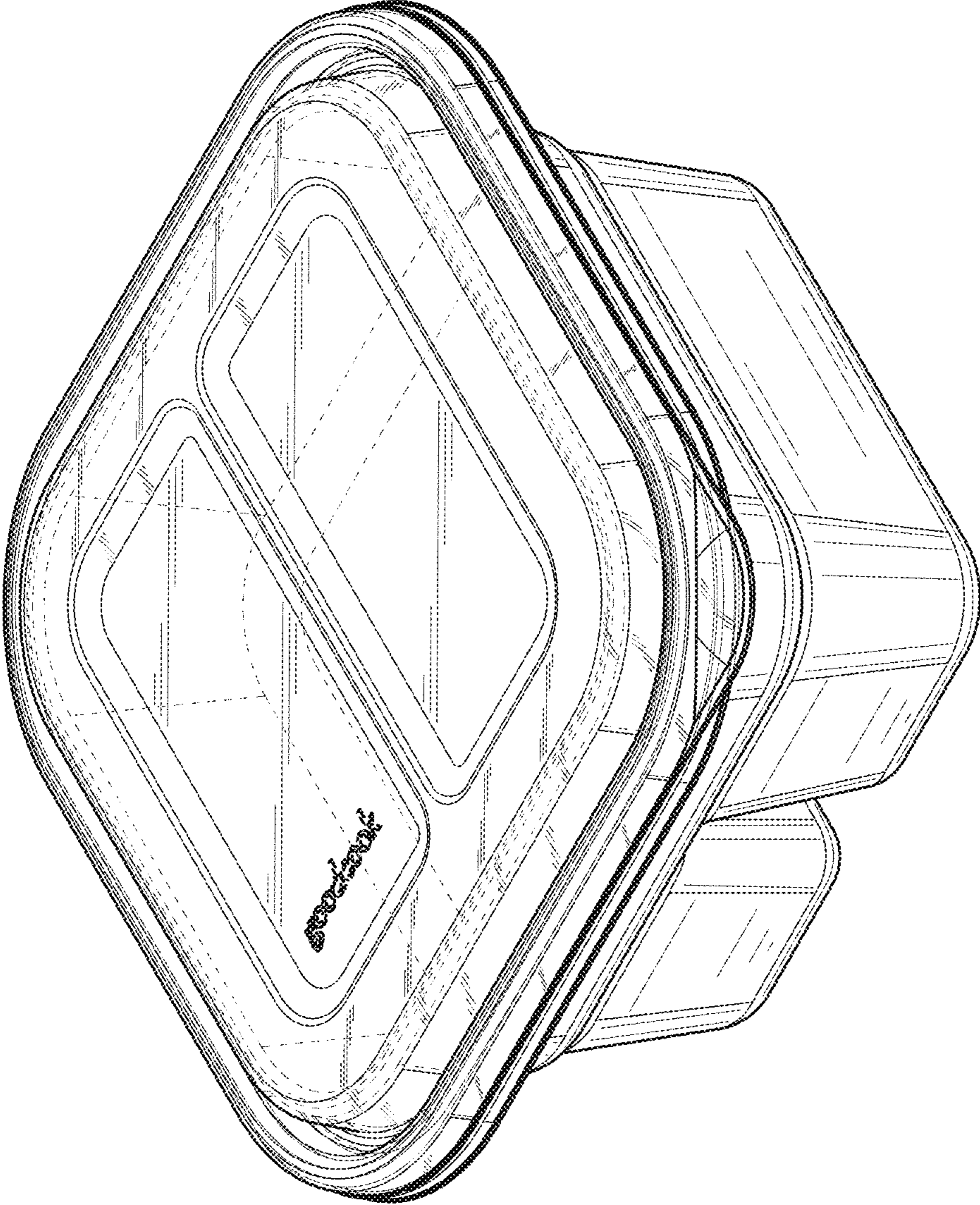


FIG. 1

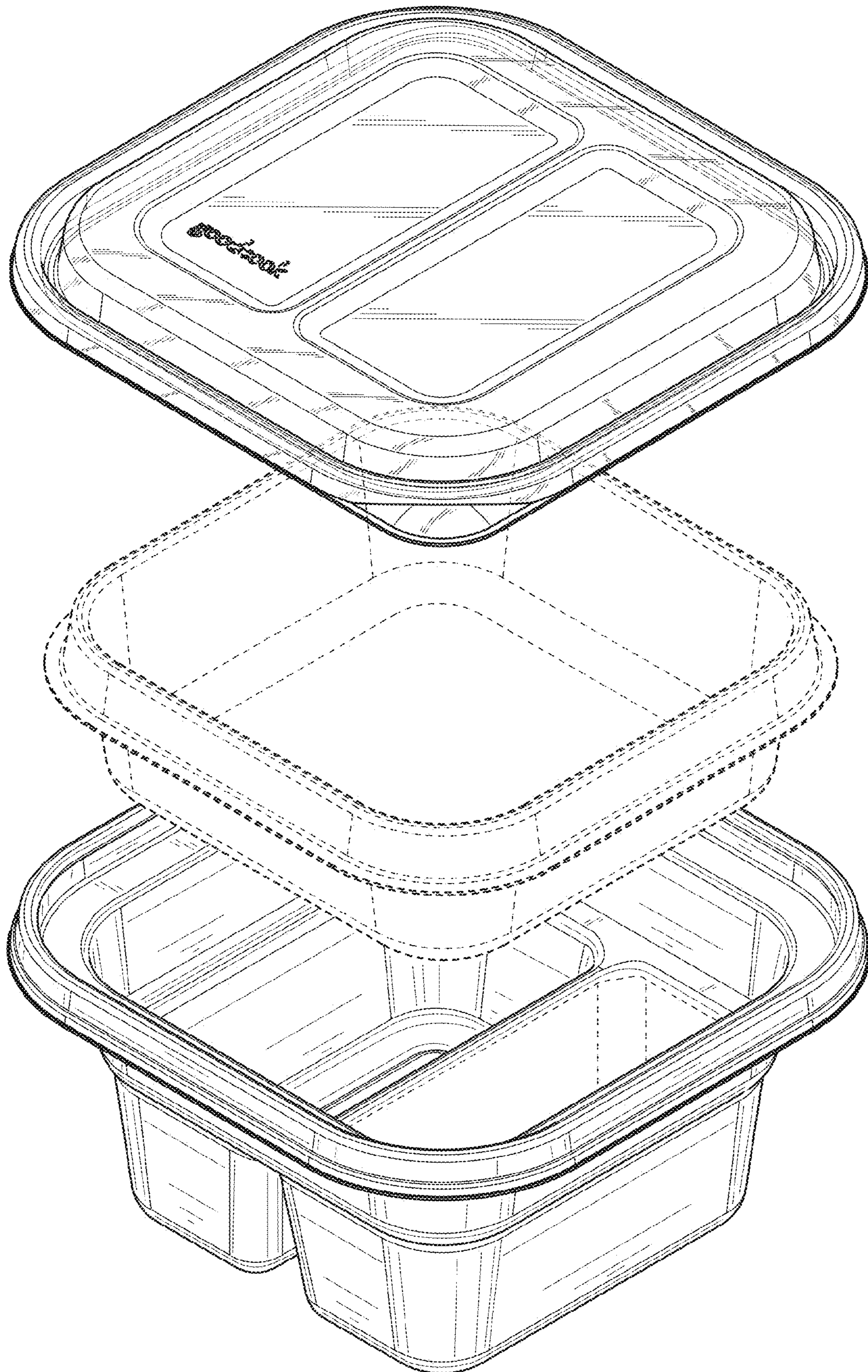


FIG. 2

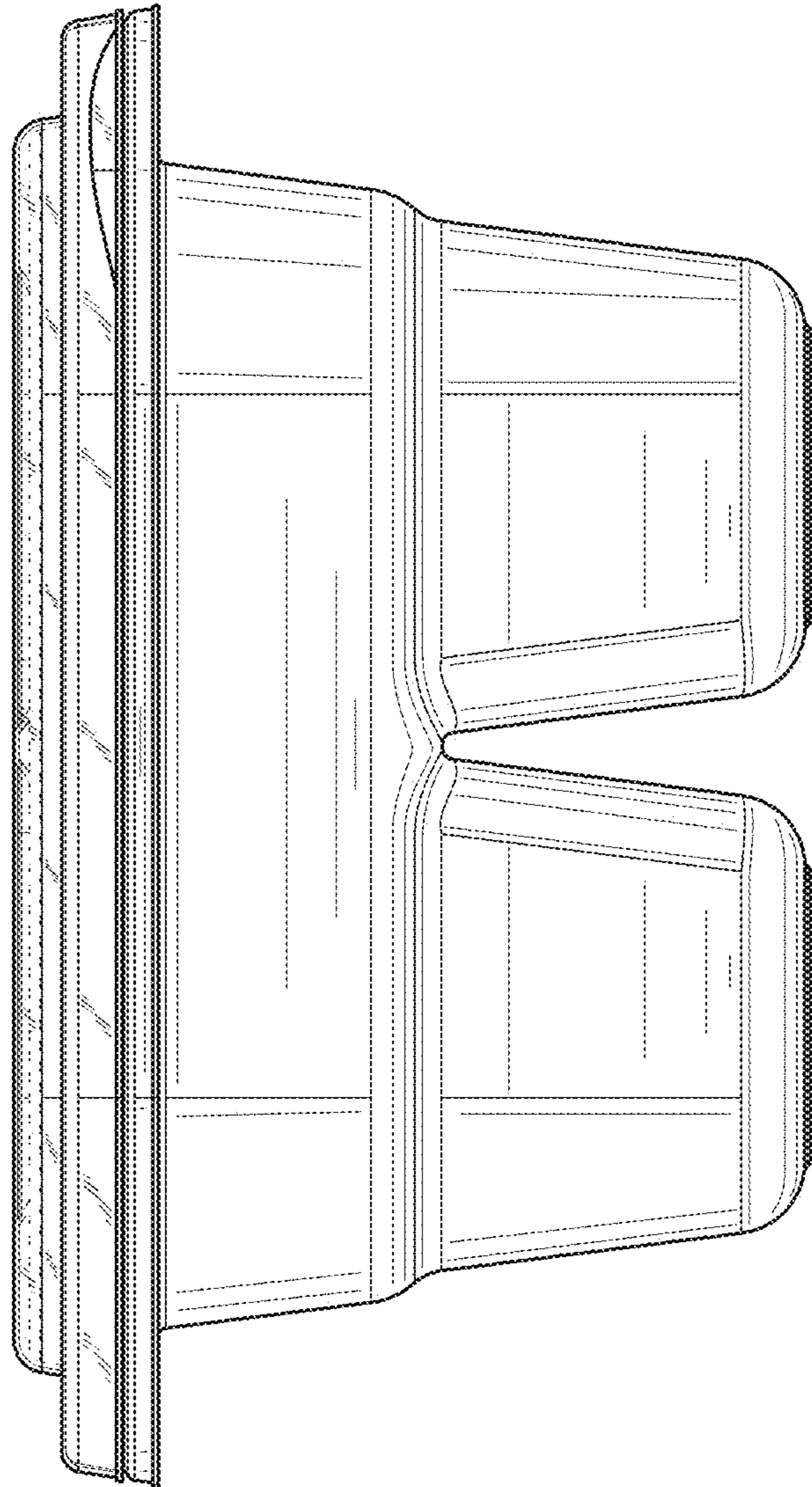


FIG. 3

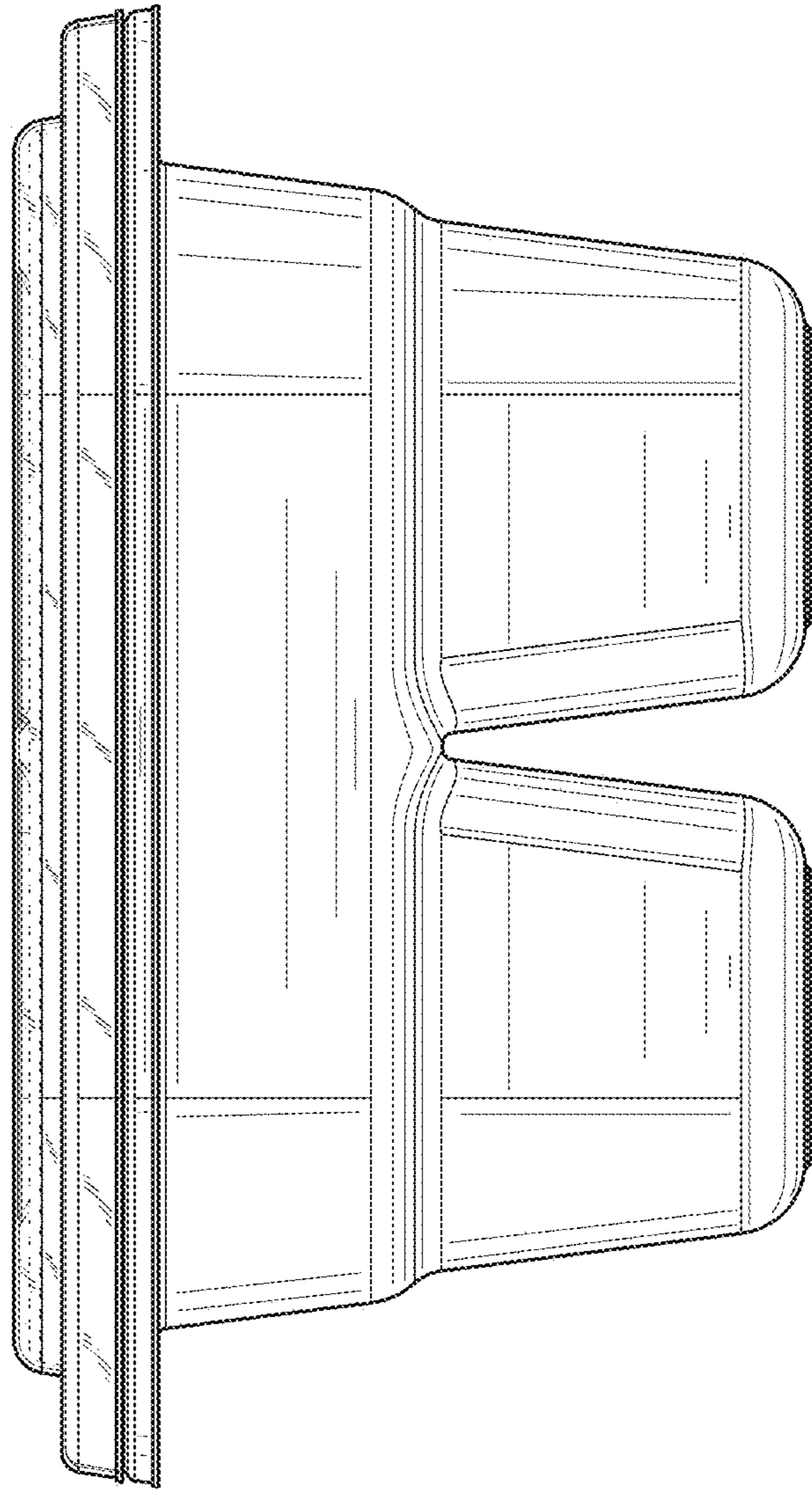


FIG. 4

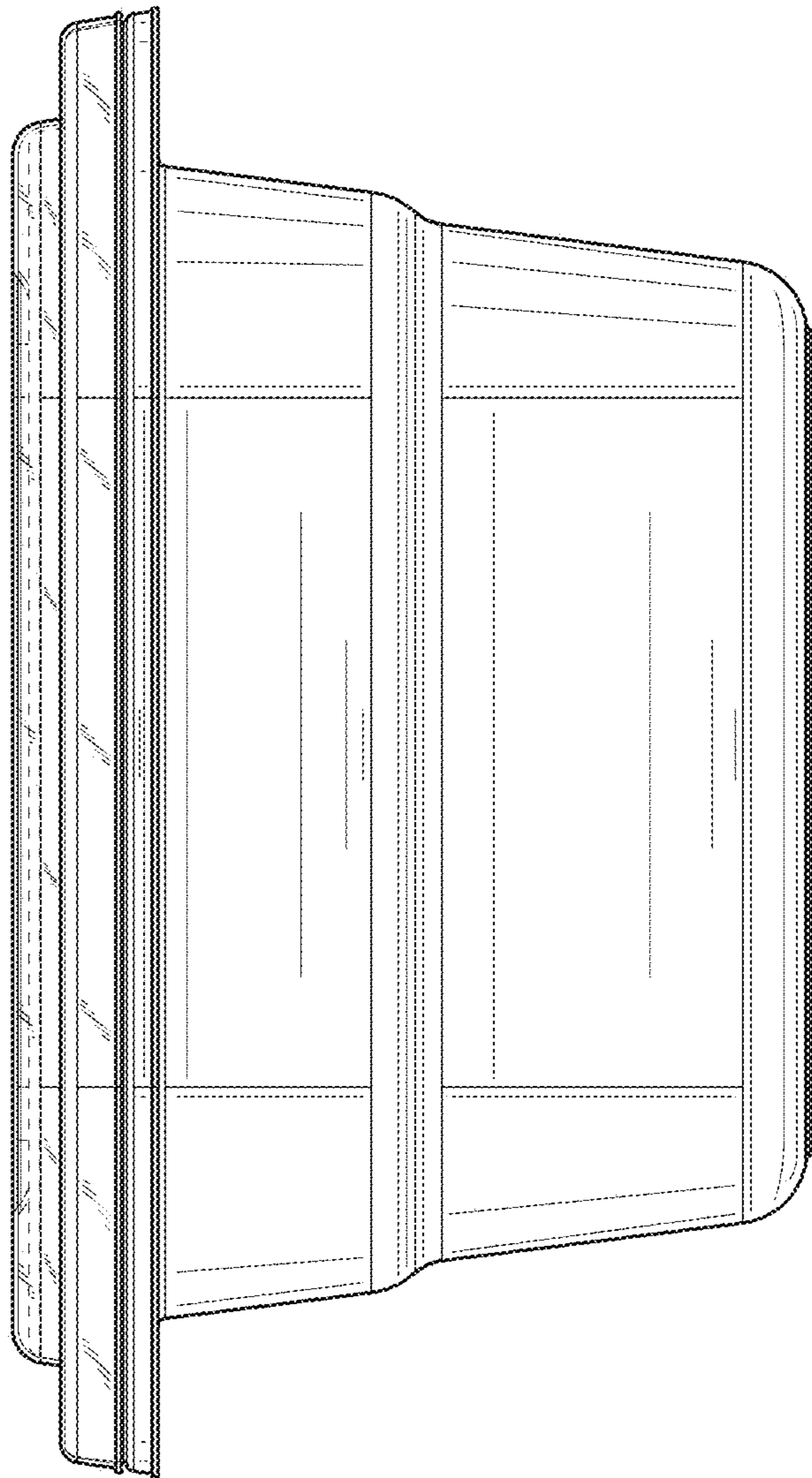


FIG. 5

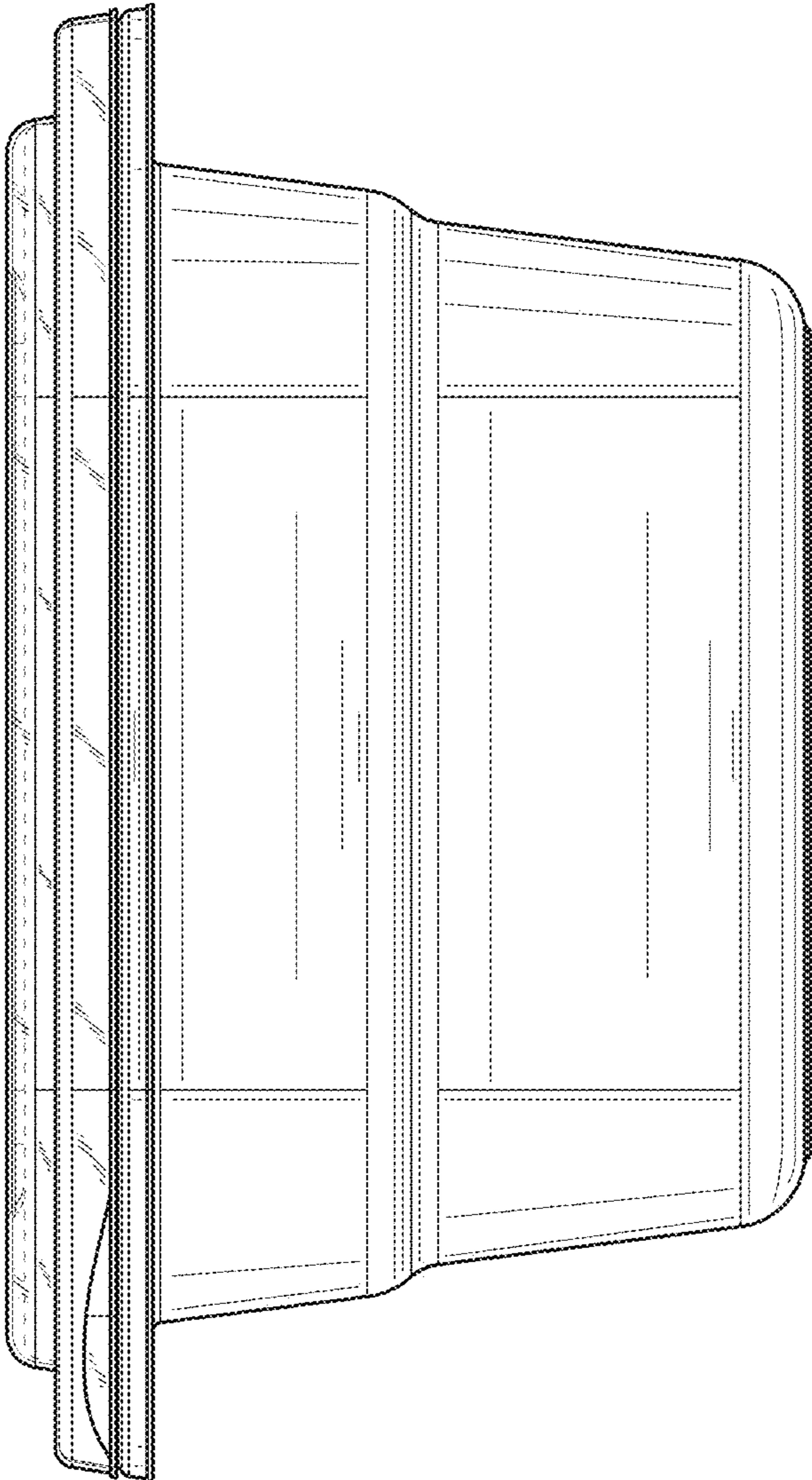


FIG. 6



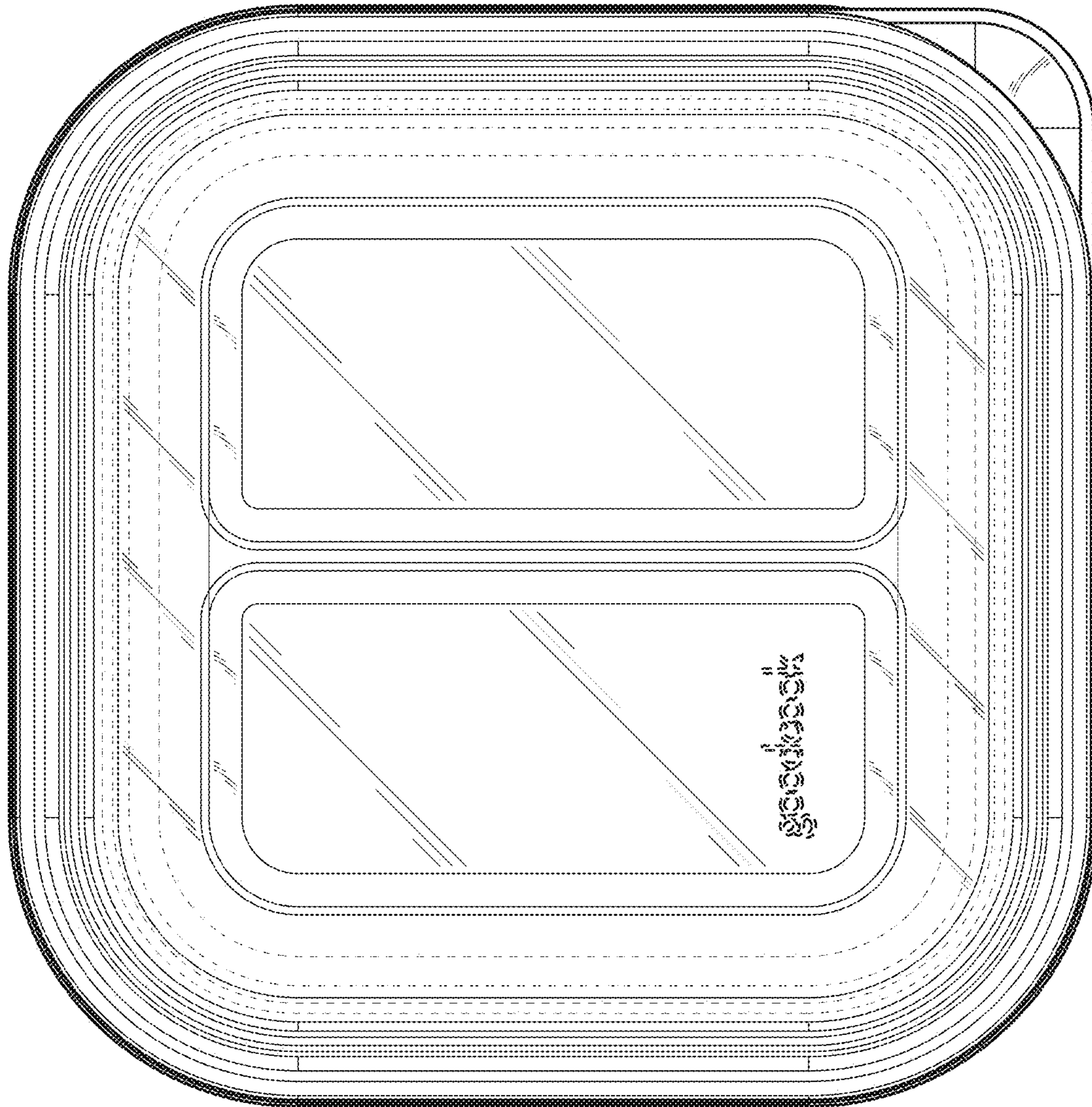


FIG. 7

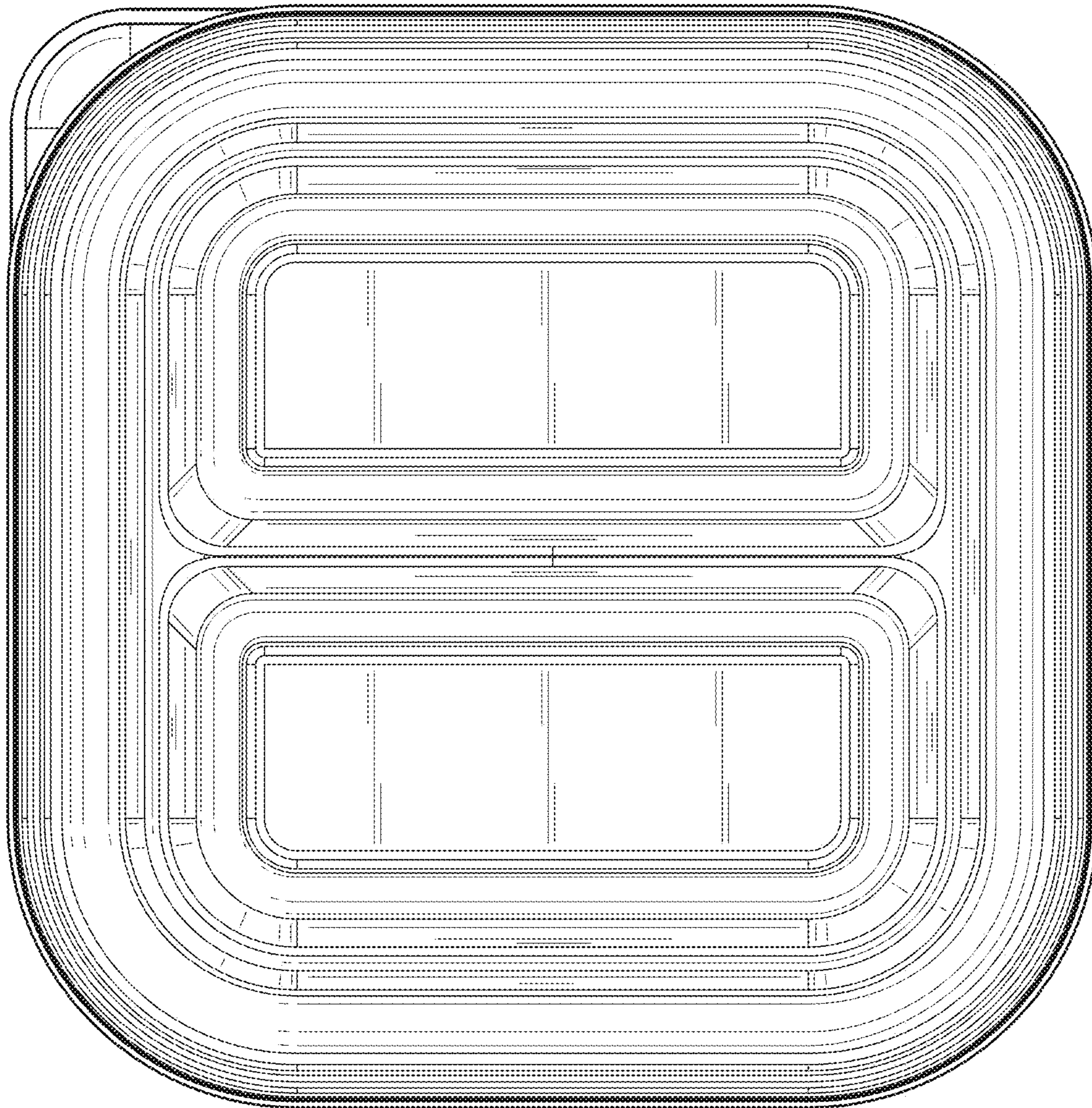


FIG. 8