



US00D986732S

(12) **United States Design Patent** (10) **Patent No.:** **US D986,732 S**
Beeravu (45) **Date of Patent:** **** May 23, 2023**

(54) **TWO COMPARTMENT HEAVY DUTY RECTANGULAR CONTAINER**

FOREIGN PATENT DOCUMENTS

(71) Applicant: **Hotpack Packaging Industries LLC**,
Dubai (AE)

CA 78968 * 8/1996
CA 145605 * 1/2014
JP D1563194 * 10/2016

(72) Inventor: **Anvar Puthiyaveettil Beeravu**, Dubai
(AE)

OTHER PUBLICATIONS

(73) Assignee: **HOTPACK PACKAGING INDUSTRIES LLC**, Dubai (AE)

Igluu 2 Compartment Container, posted at Amazon.com on Apr. 21, 2017, [site visited Jul. 14, 2022]. Available from internet, URL: <<https://www.amazon.co.uk/Compartment-Meal-Prep-Containers-Microwavable/dp/B06XDJP3M2/>> (Year: 2017).*

(Continued)

(**) Term: **15 Years**

Primary Examiner — Andrew Kerr

(21) Appl. No.: **29/769,118**

Assistant Examiner — Chariton Alexakis

(22) Filed: **Feb. 3, 2021**

(74) *Attorney, Agent, or Firm* — Avek IP, LLC

(51) **LOC (14) Cl.** **09-03**

(57) **CLAIM**

(52) **U.S. Cl.**

The ornamental design for a two compartment heavy duty rectangular container, as shown and described.

USPC **D9/425**

DESCRIPTION

(58) **Field of Classification Search**

USPC D9/414, 424, 425, 426, 428, 432, 456, D9/503, 504, 703, 716, 719, 737, 738, D9/739, 740, 744, 745, 756, 759, 760, D9/761; D7/538, 540, 541, 542, 550.1, D7/553.1, 553.2, 553.3, 554.1, 554.3, D7/555, 556, 557, 560, 561, 562, 602, D7/629, 701, 703, 708; D3/203.3, 273, D3/283, 294, 295, 310, 313; D24/226, D24/227, 229; D30/130

(Continued)

FIG. 1 is a perspective view of a two compartment heavy duty rectangular container showing the new design.

FIG. 2 is another perspective view of the two compartment heavy duty rectangular container of FIG. 1.

FIG. 3 is a front view of the two compartment heavy duty rectangular container of FIG. 1.

FIG. 4 is a rear view of the two compartment heavy duty rectangular container of FIG. 1.

FIG. 5 is a side view of the two compartment heavy duty rectangular container of FIG. 1.

FIG. 6 is an opposite side view the two compartment heavy duty rectangular container of FIG. 1.

FIG. 7 is a top view the two compartment heavy duty rectangular container of FIG. 1; and,

FIG. 8 is a bottom view the two compartment heavy duty rectangular container of FIG. 1.

Broken lines show environmental structure that forms no part of the claimed design.

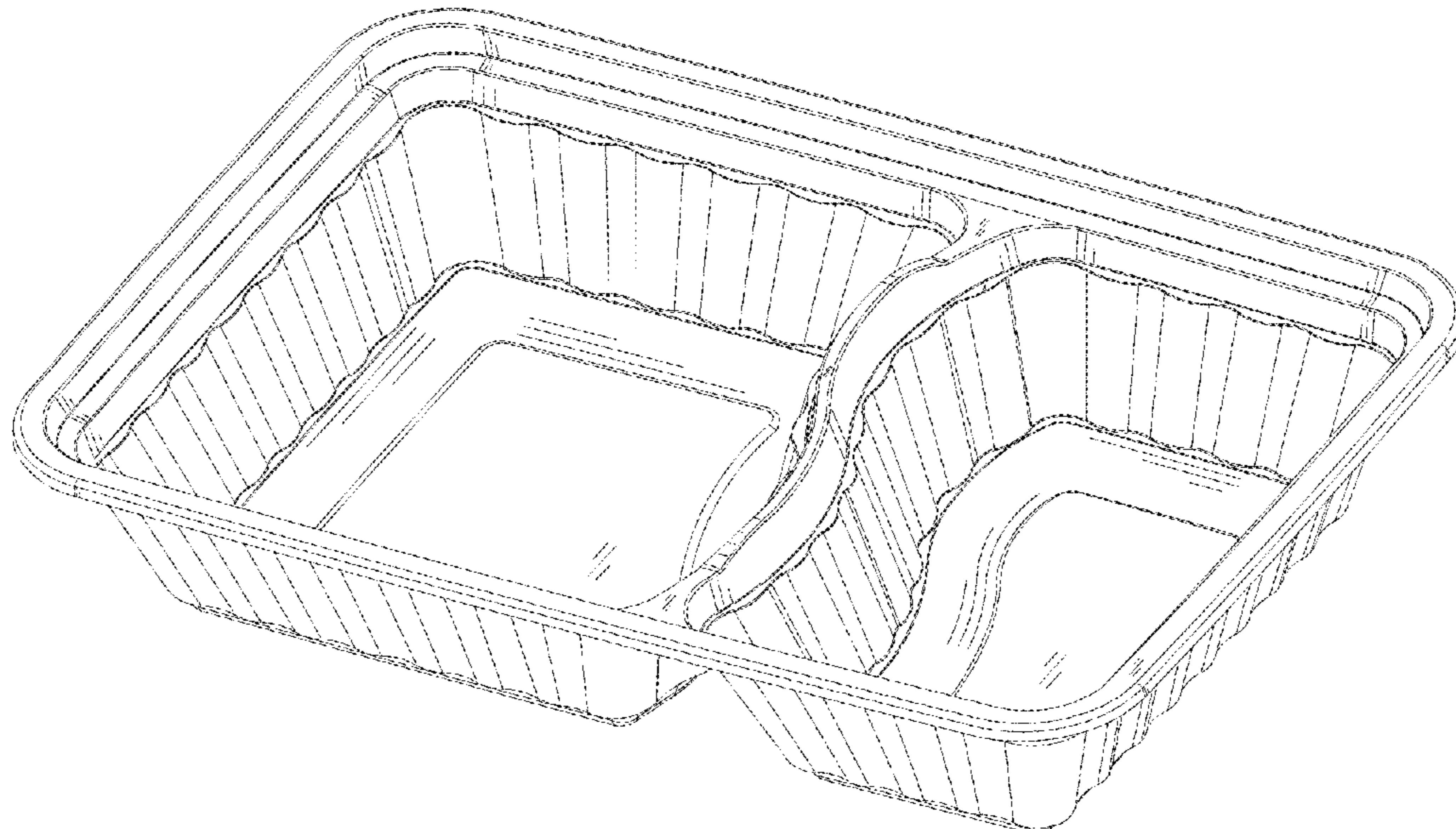
(56) **References Cited**

U.S. PATENT DOCUMENTS

D284,727 S * 7/1986 Gerber D7/546
D372,170 S * 7/1996 Ahern, Jr. D7/553.3

(Continued)

1 Claim, 8 Drawing Sheets



(58) **Field of Classification Search**

CPC ... B65D 1/24; B65D 1/30; B65D 1/34; B65D
1/36; B65D 1/46; B65D 5/46; B65D
5/48; B65D 5/4803; B65D 21/00; B65D
21/02; B65D 21/0233; B65D 25/04;
B65D 2543/00027; B65D 2543/00296;
B65D 77/046; B65D 81/3294; B65D
81/3813; B65D 81/3816; B65D 81/3827;
B65D 85/321; B65D 85/322; B65D
85/324; B65D 85/325; B65D 85/327;
B65D 43/162; B65D 71/00; Y10S
229/904; A47G 19/03

See application file for complete search history.

(56)

References Cited

U.S. PATENT DOCUMENTS

D442,484 S * 5/2001 Maxwell D9/761
D528,014 S * 9/2006 Cutts D9/761
D530,625 S * 10/2006 Darin D9/761

D584,108 S * 1/2009 Olsson D9/425
D665,676 S * 8/2012 Wu D9/761
D666,058 S * 8/2012 Liang D7/541
D691,901 S * 10/2013 Epstein D9/425
D752,430 S * 3/2016 Stevenson D9/425
D778,155 S * 2/2017 Strachan D9/432
D823,106 S * 7/2018 Lam D9/426
D871,925 S * 1/2020 Zhang D9/756
D876,903 S * 3/2020 Moore D7/602
D881,720 S * 4/2020 Quada D9/434
D900,640 S * 11/2020 Huang D9/425
D913,045 S * 3/2021 Samartgis B65D 77/20
D7/602
2018/0072459 A1* 3/2018 Davey B65D 77/20

OTHER PUBLICATIONS

SafeWare 2 Compartment With Lid, posted at Amazon.com on Feb.
16, 2018, [site visited Jul. 14, 2022]. Available from internet, URL:
<<https://www.amazon.com/dp/B079VY9BSV/>> (Year: 2018).*

* cited by examiner

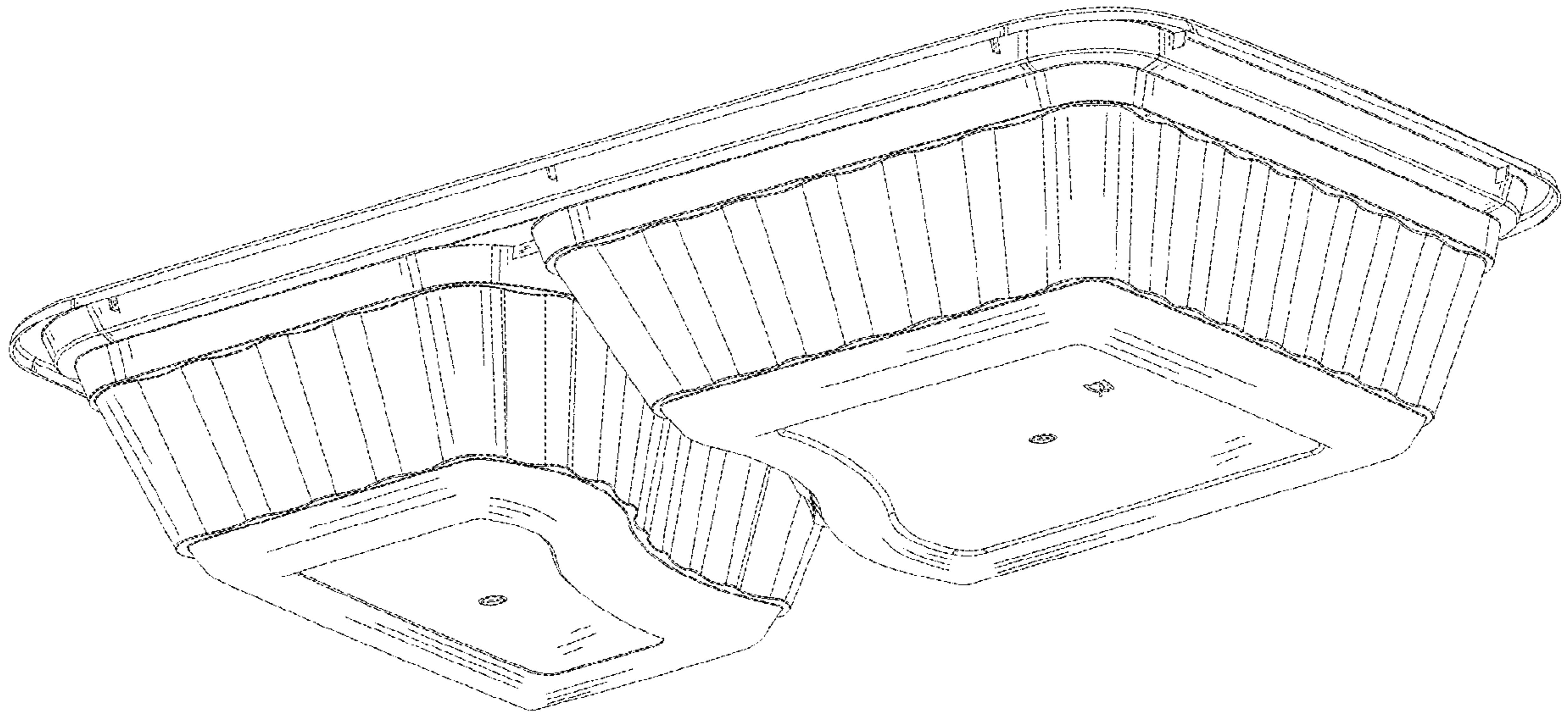


FIG. 1

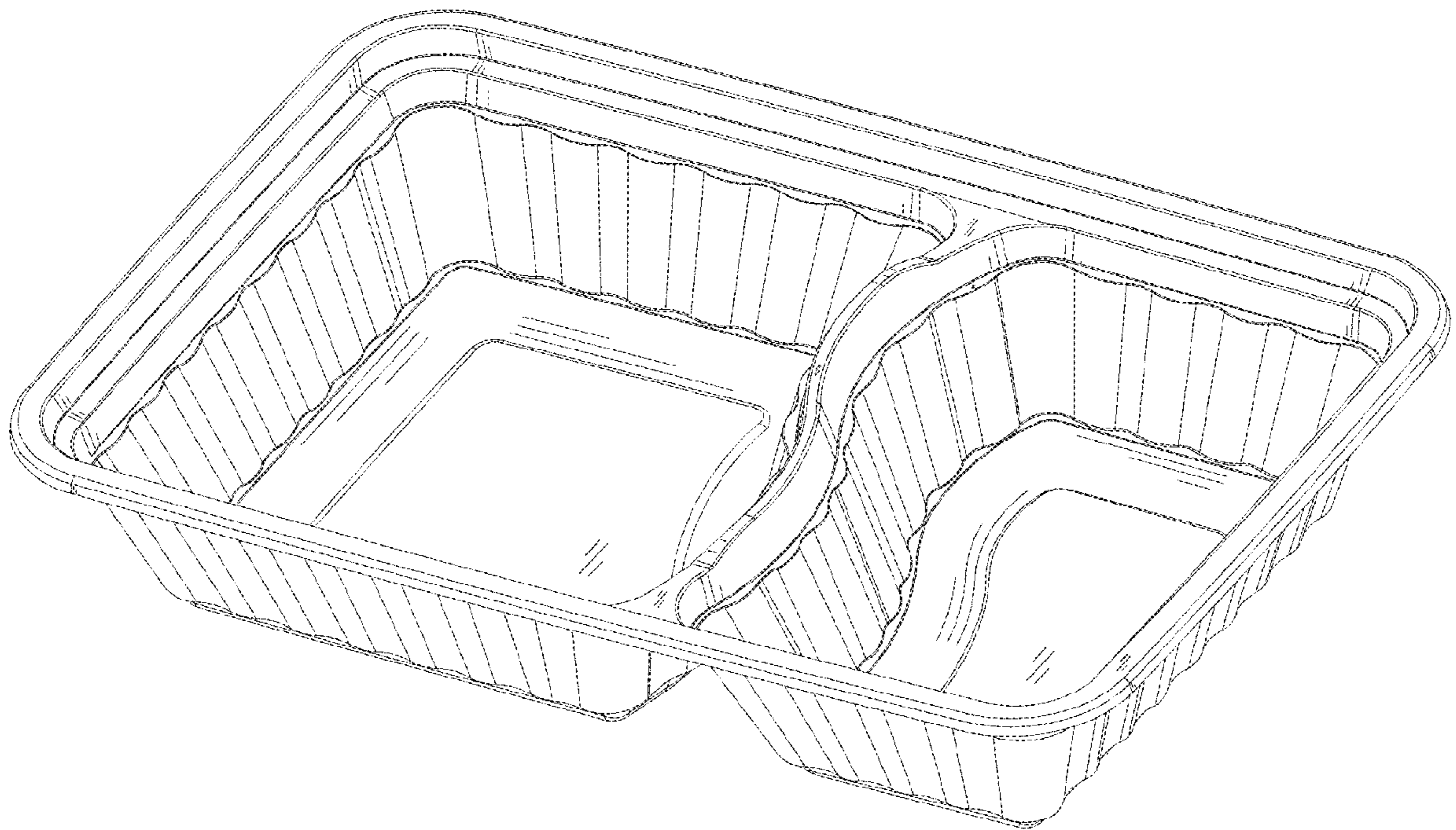


FIG. 2

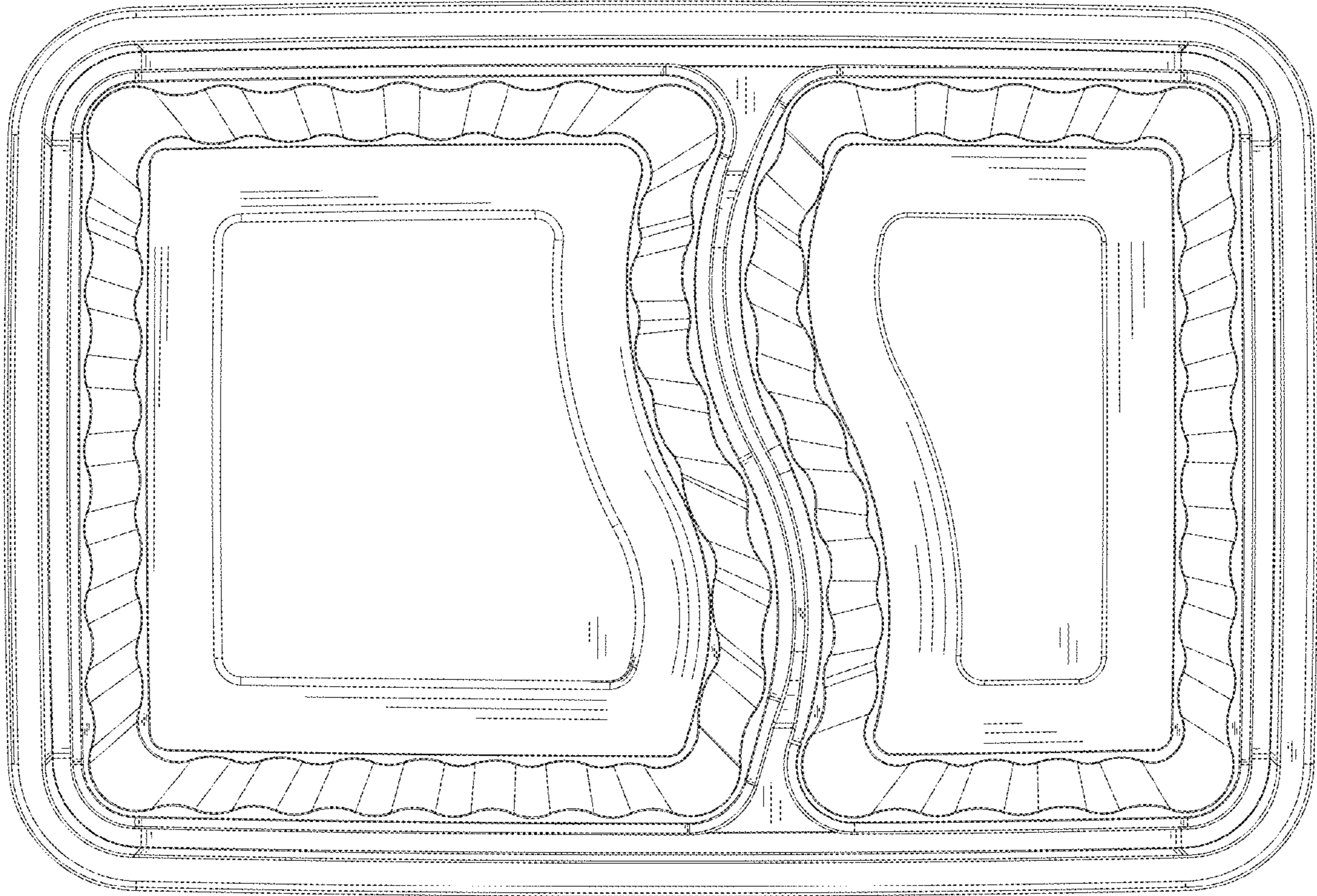


FIG. 3

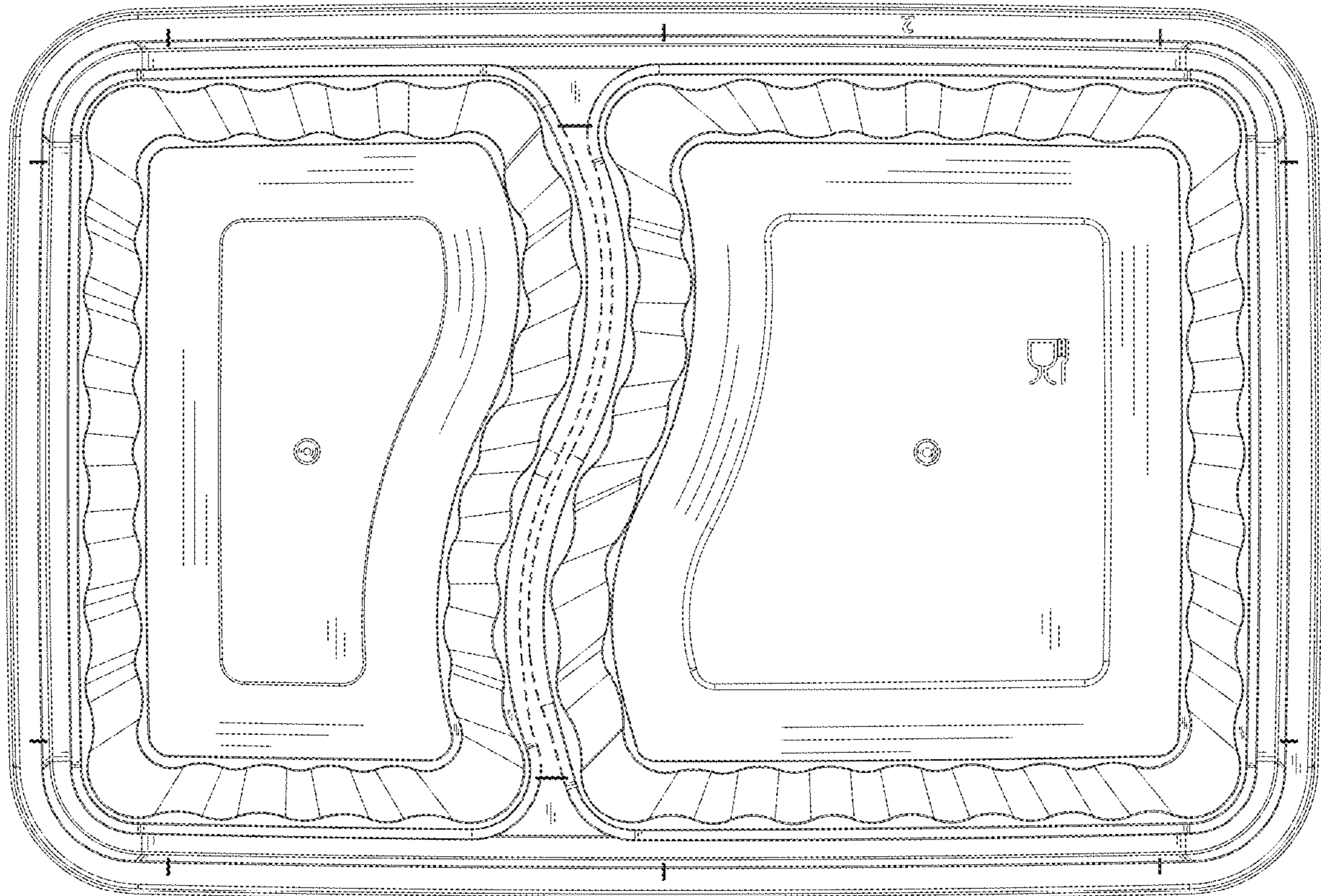


FIG. 4

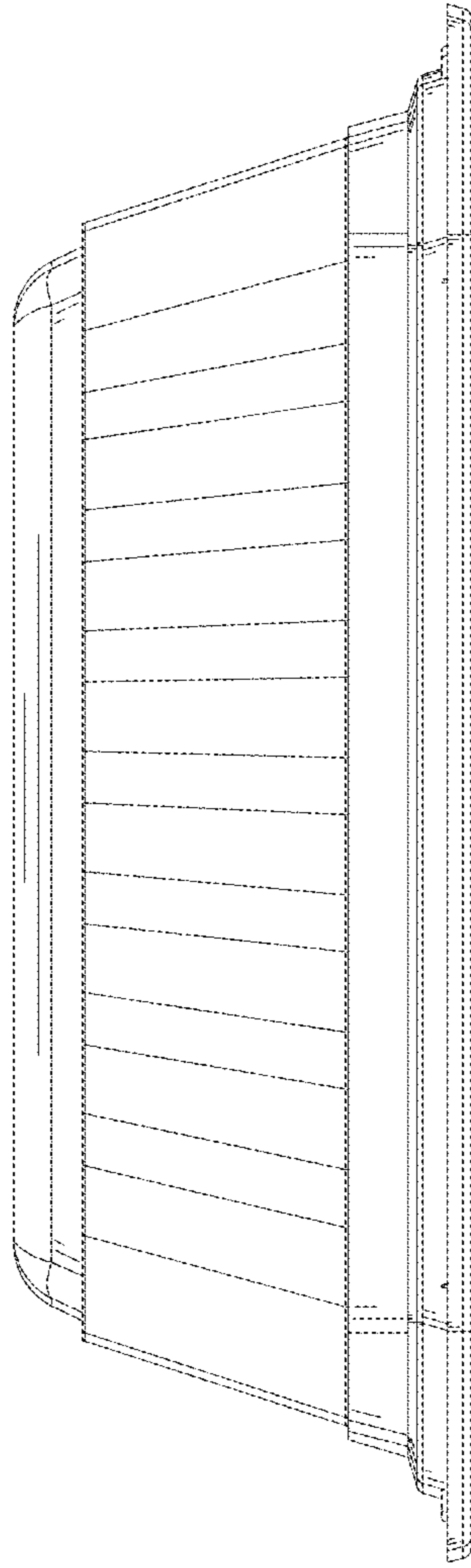


FIG. 5

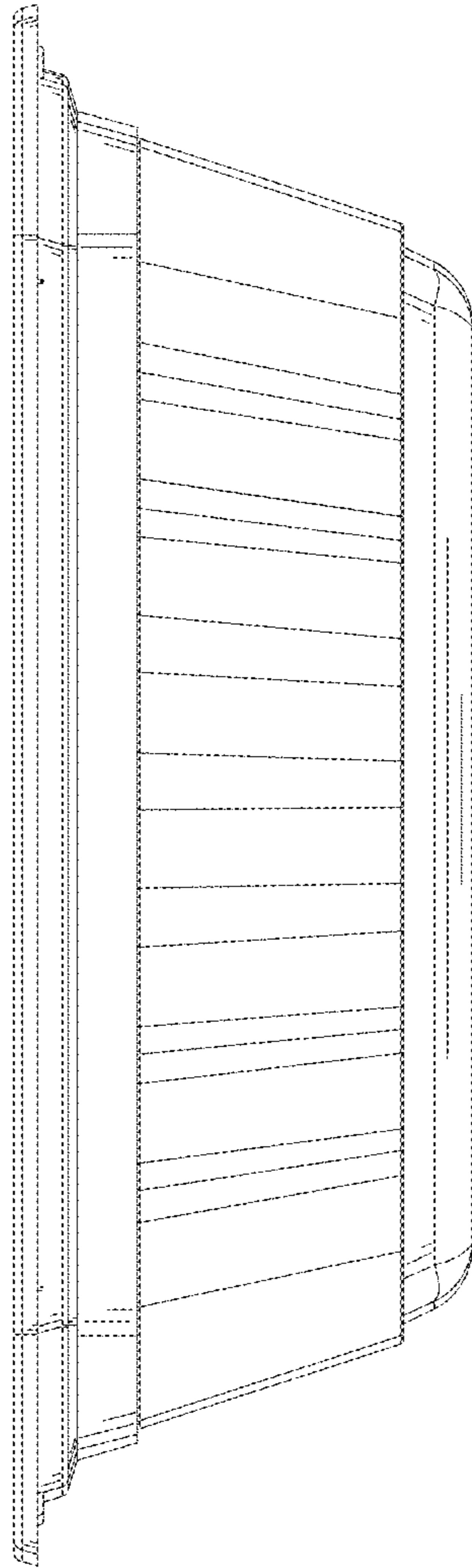


FIG. 6

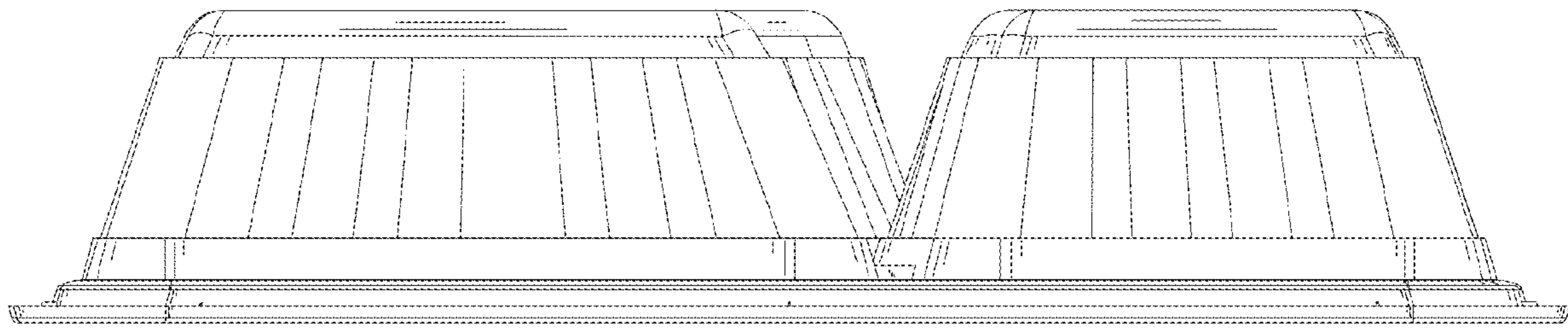


FIG. 7

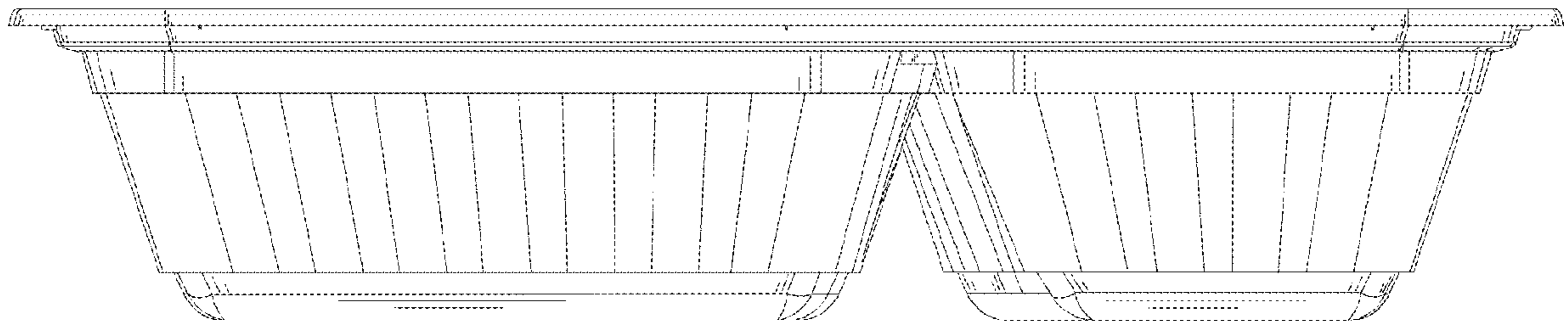


FIG. 8