



US00D986731S

(12) **United States Design Patent** (10) **Patent No.:** **US D986,731 S**
Beeravu (45) **Date of Patent:** **** May 23, 2023**

(54) **THREE COMPARTMENT HEAVY DUTY RECTANGULAR CONTAINER**

FOREIGN PATENT DOCUMENTS

(71) Applicant: **Hotpack Packaging Industries LLC**,
Dubai (AE)

CA 39522 * 8/1975
CN 300968710 * 7/2009

(72) Inventor: **Anvar Puthiyaveettil Beeravu**, Dubai
(AE)

OTHER PUBLICATIONS

(73) Assignee: **HOTPACK PACKAGING INDUSTRIES LLC**, Dubai (AE)

Disposable Food Container, posted at Amazon.com on May 12, 2014, [site visited Jul. 14, 2022]. Available from internet, URL: <<https://www.amazon.com/dp/B00KG4H0WG/>> (Year: 2014).*

(Continued)

(**) Term: **15 Years**

Primary Examiner — Andrew Kerr

(21) Appl. No.: **29/769,117**

Assistant Examiner — Chariton Alexakis

(22) Filed: **Feb. 3, 2021**

(74) *Attorney, Agent, or Firm* — Avek IP, LLC

(51) **LOC (14) Cl.** **09-03**

(57) **CLAIM**

(52) **U.S. Cl.**
USPC **D9/425**

The ornamental design for a three compartment heavy duty rectangular container, as shown and described.

(58) **Field of Classification Search**
USPC D9/414, 424, 425, 426, 428, 432, 456,
D9/503, 504, 703, 716, 719, 737, 738,
D9/739, 740, 744, 745, 756, 759, 760,
D9/761; D7/538, 540, 541, 542, 550.1,
D7/553.1, 553.2, 553.3, 554.1, 554.3,
D7/555, 556, 557, 560, 561, 562, 602,
D7/629, 701, 703, 708; D3/203.3, 273,
D3/283, 294, 295, 310, 313; D24/226,
D24/227, 229; D30/130
CPC ... B65D 1/24; B65D 1/30; B65D 1/34; B65D
1/36; B65D 1/46; B65D 5/46; B65D
5/48; B65D 5/4803; B65D 21/00; B65D
21/02; B65D 21/0233; B65D 25/04;
B65D

DESCRIPTION

FIG. 1 is a perspective view of a three compartment heavy duty rectangular container showing the new design.
FIG. 2 is another perspective view of the three compartment heavy duty rectangular container of FIG. 1.
FIG. 3 is a front view of the three compartment heavy duty rectangular container of FIG. 1.
FIG. 4 is a rear view of the three compartment heavy duty rectangular container of FIG. 1.
FIG. 5 is a side view of the three compartment heavy duty rectangular container of FIG. 1.
FIG. 6 is an opposite side view the three compartment heavy duty rectangular container of FIG. 1.
FIG. 7 is a top view the three compartment heavy duty rectangular container of FIG. 1; and,
FIG. 8 is a bottom view the three compartment heavy duty rectangular container of FIG. 1.
Broken lines show environmental structure that forms no part of the claimed design.

(Continued)

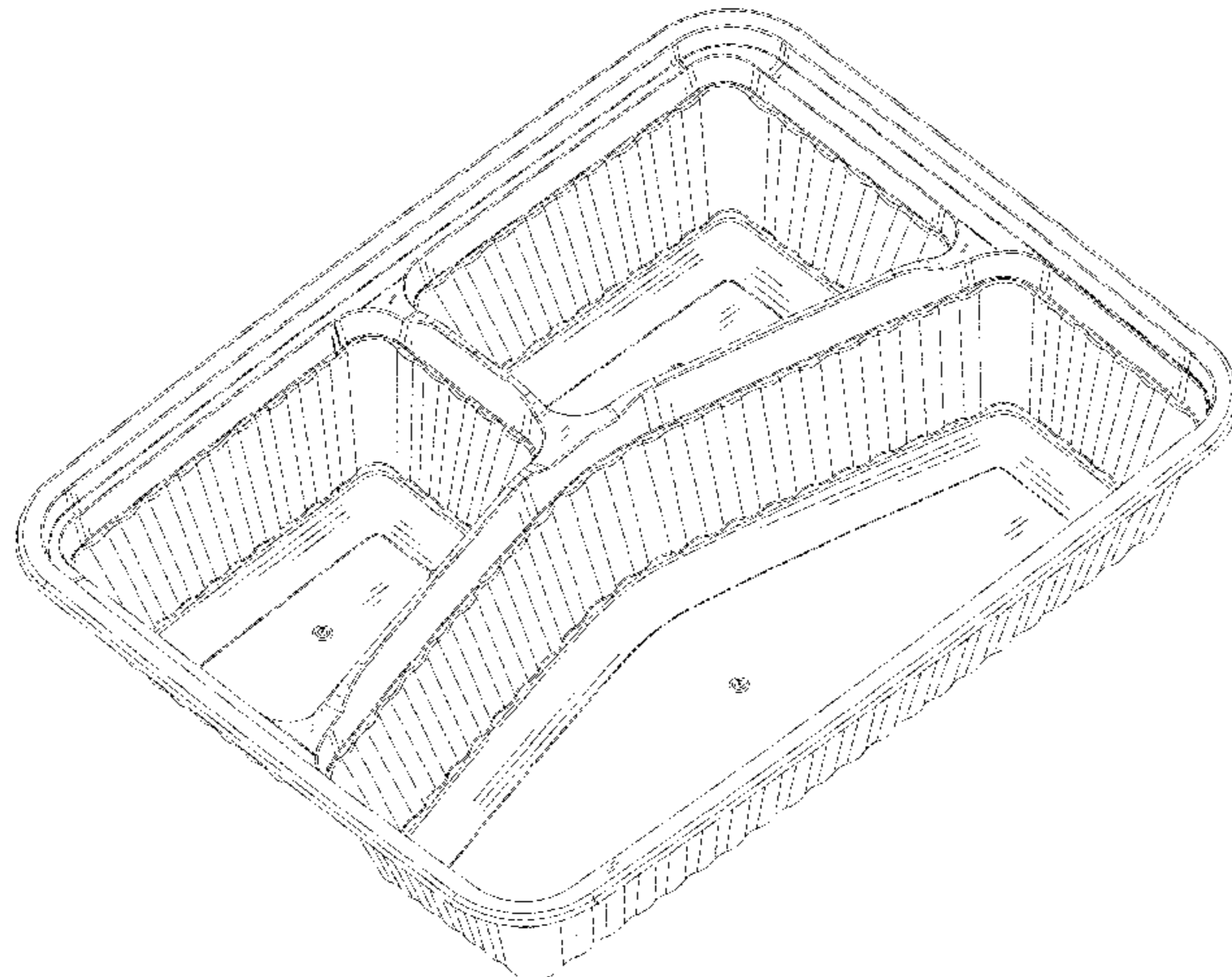
(56) **References Cited**

U.S. PATENT DOCUMENTS

2,738,915 A * 3/1956 Truman A47G 19/03
220/575
D224,207 S * 7/1972 Cyr et al. D9/761

(Continued)

1 Claim, 8 Drawing Sheets



(58) **Field of Classification Search**

CPC 2543/00027; B65D 2543/00296; B65D
 77/046; B65D 81/3294; B65D 81/3813;
 B65D 81/3816; B65D 81/3827; B65D
 85/321; B65D 85/322; B65D 85/324;
 B65D 85/325; B65D 85/327; B65D
 43/162; B65D 71/00; Y10S 229/904;
 A47G 19/03

See application file for complete search history.

D672,644 S * 12/2012 Allers D9/423
 D792,161 S * 7/2017 Ng D7/541
 D848,258 S * 5/2019 Mei D9/429
 D874,296 S * 2/2020 Wouters D9/761
 D891,918 S * 8/2020 Chen D9/425
 D900,639 S * 11/2020 Huang B65D 43/162
 D904,205 S * 12/2020 Ng B65D 71/00
 D953,163 S * 5/2022 Sill A47G 19/03
 D9/425

(56) **References Cited**

U.S. PATENT DOCUMENTS

D224,288 S * 7/1972 Bloch D7/553.3
 D235,499 S * 6/1975 Day D7/553.3
 D376,953 S * 12/1996 Dunn D7/553.3
 5,690,245 A * 11/1997 Jenkins B65D 71/00
 220/23.86
 D408,734 S * 4/1999 McCann D9/423
 5,950,854 A * 9/1999 Rider, Jr. B65D 43/162
 220/4.23
 D539,666 S * 4/2007 Chou D9/425
 D551,546 S * 9/2007 Ramirez D9/761
 D573,409 S * 7/2008 Lovett D7/553.3
 D665,677 S * 8/2012 Wu D9/761

OTHER PUBLICATIONS

Karat 3 Compartmented Container, posted at Amazon.com on Aug. 27, 2019, [site visited Jul. 14, 2022]. Available from internet, URL: <<https://www.amazon.com/Mineral-Filled-Hinged-Container-Compartment/dp/B07X1V6LXM/>> (Year: 2019).*

Stackables Plastic Rectangular Container, posted at Amazon.co.uk on Jul. 12, 2020, [site visited Jul. 14, 2022]. Available from internet, URL: <<https://www.amazon.co.uk/STACKABLES-Rectangular-Containers-Microwave-Compartments/dp/B098MNTR38/>> (Year: 2020).*

* cited by examiner

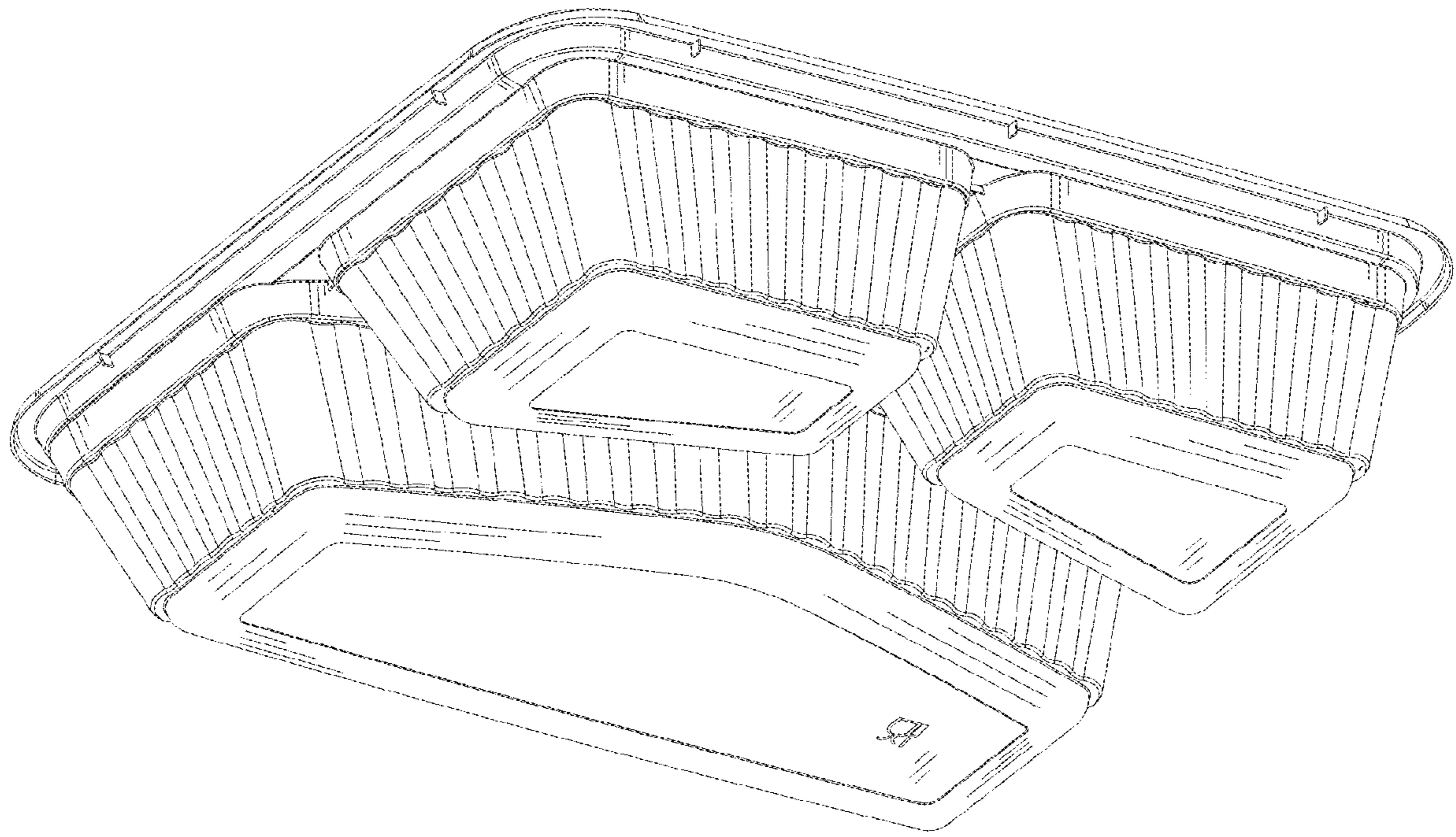


FIG. 1

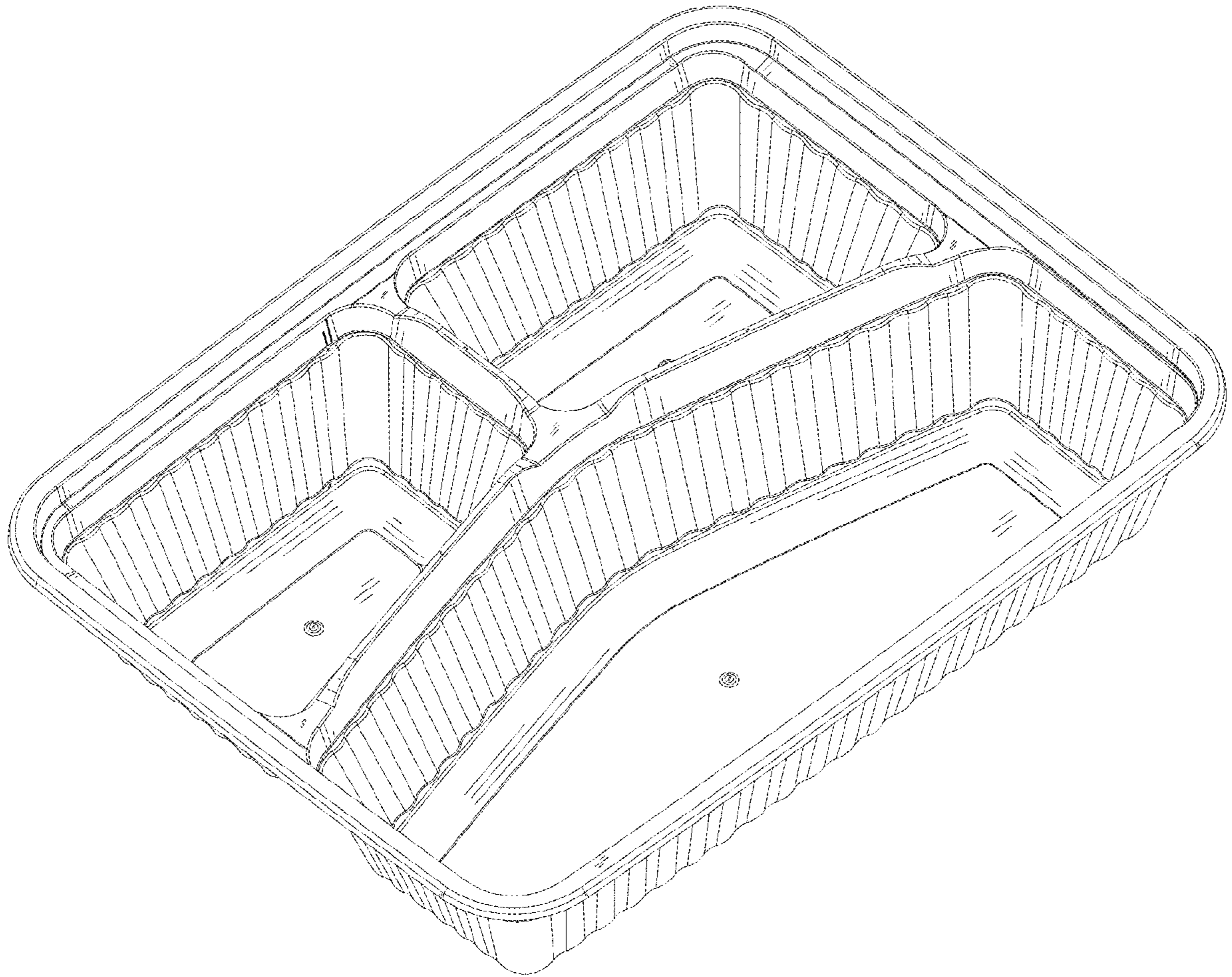


FIG. 2

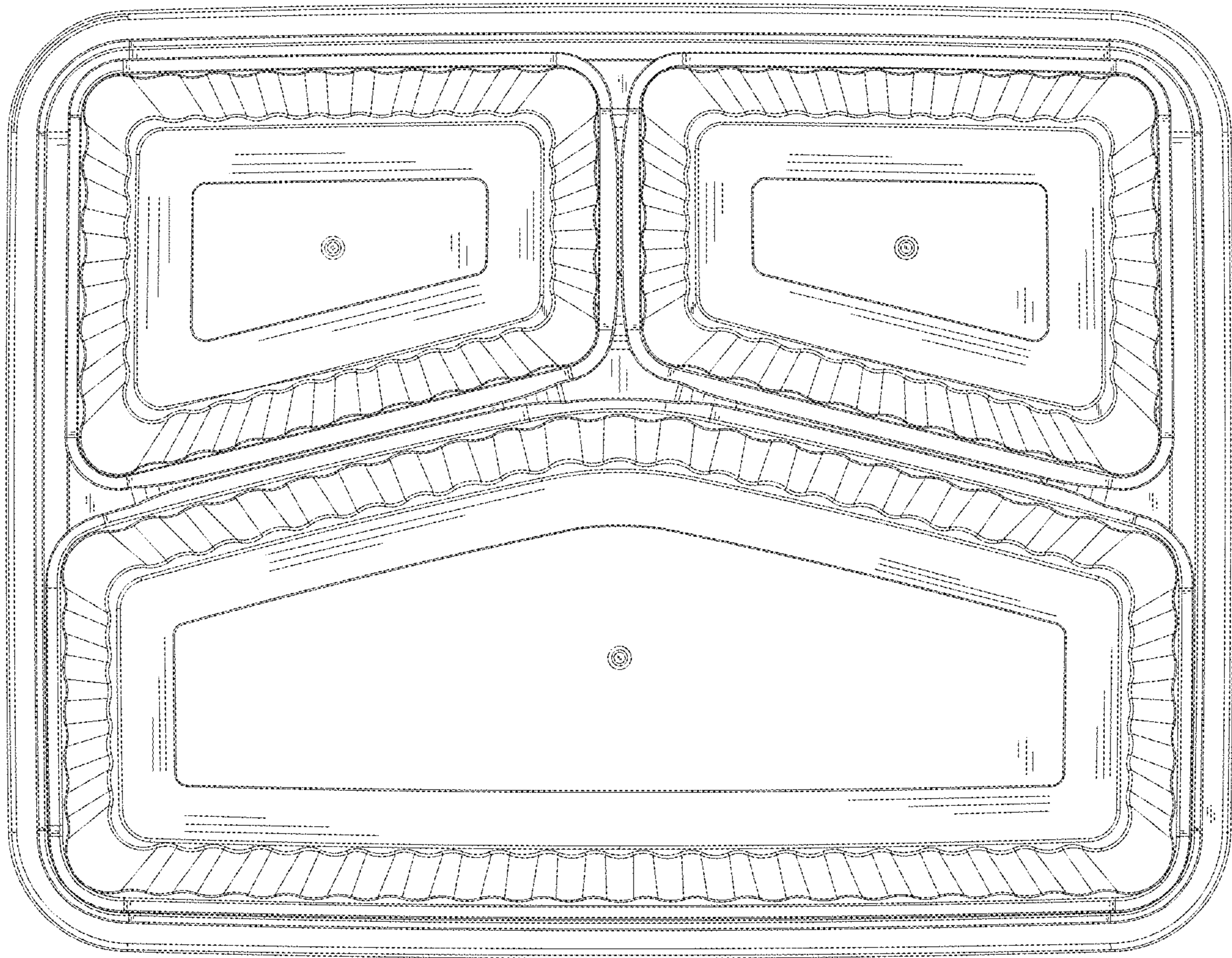


FIG. 3

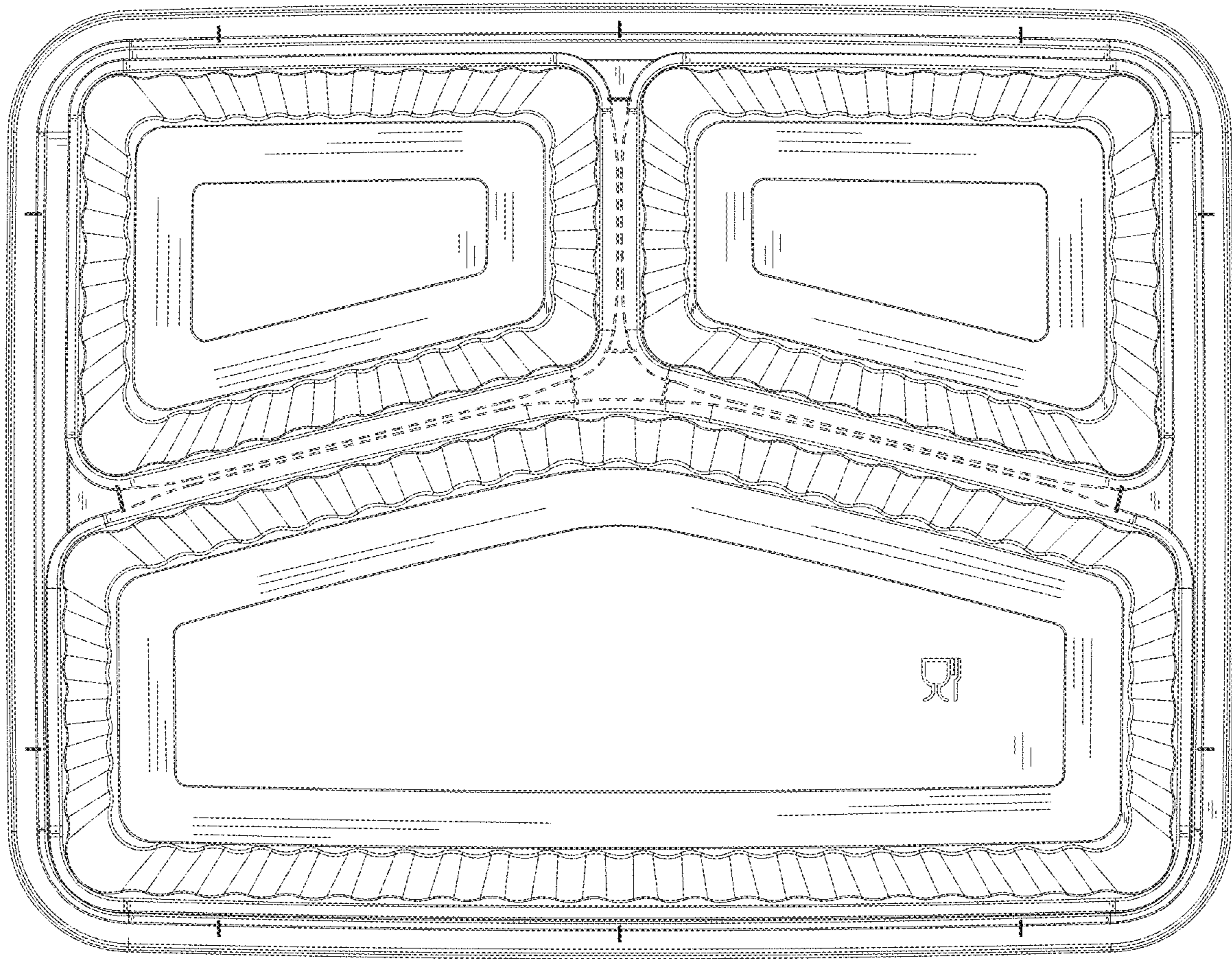


FIG. 4

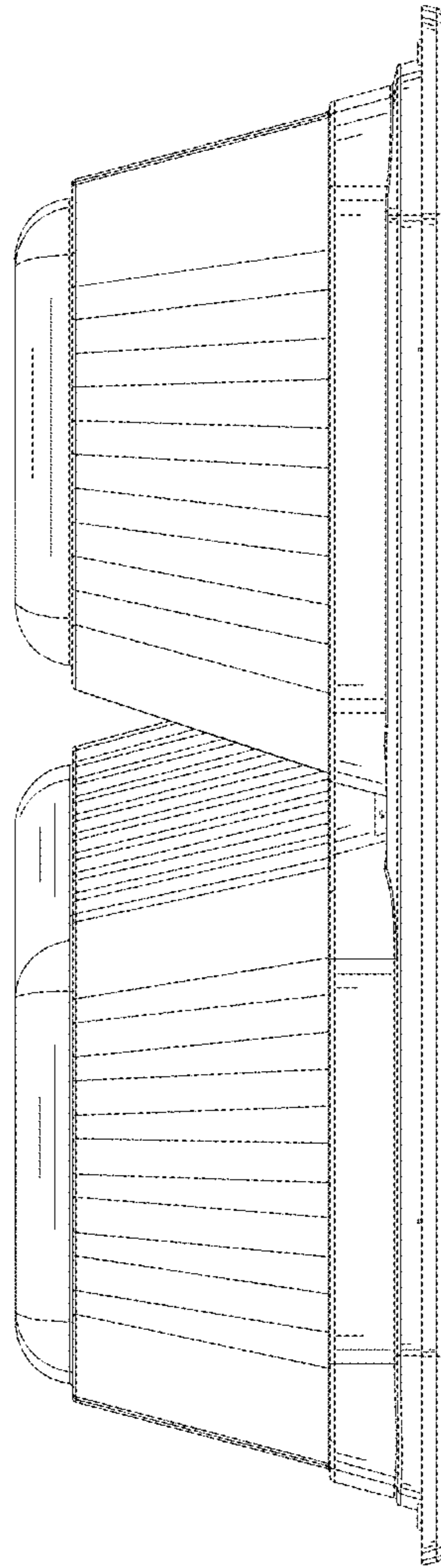


FIG. 5

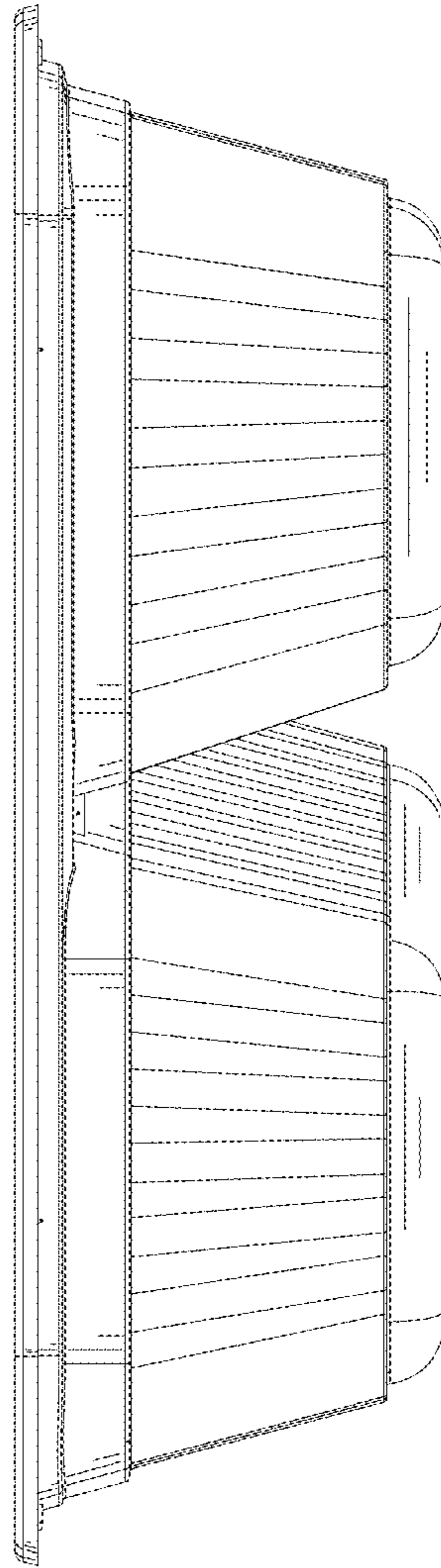


FIG. 6

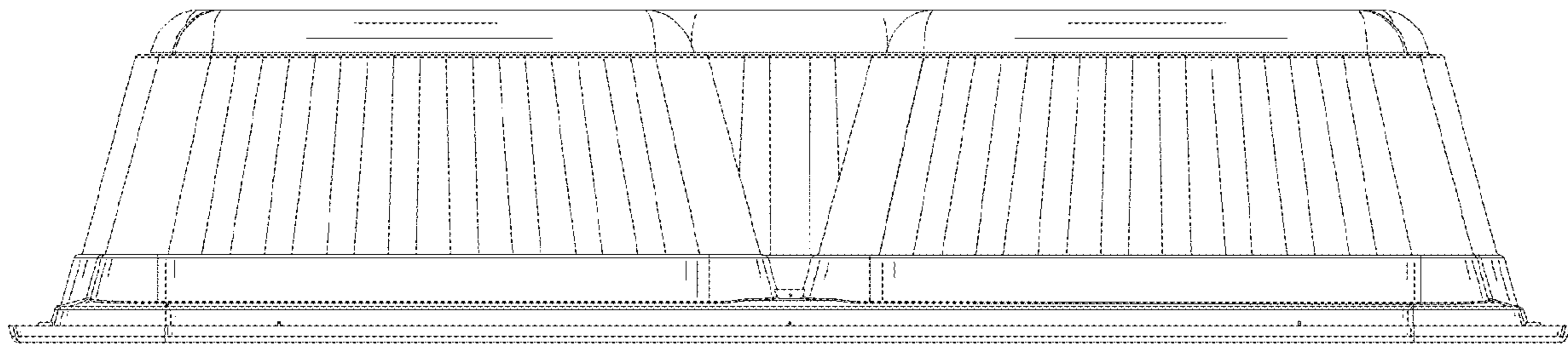


FIG. 7

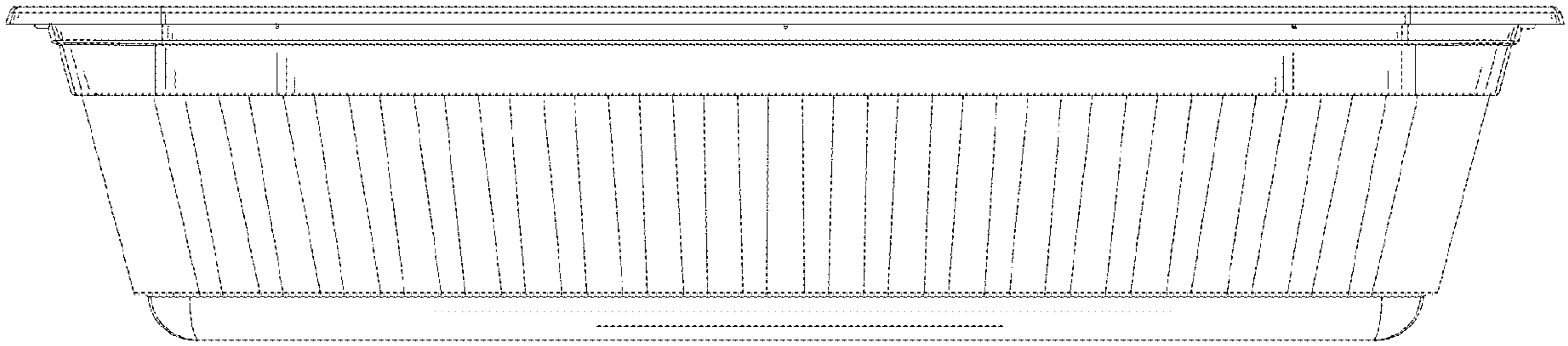


FIG. 8