



US00D986728S

(12) **United States Design Patent**  
**Jou et al.**

(10) **Patent No.:** **US D986,728 S**  
(45) **Date of Patent:** **\*\* May 23, 2023**

(54) **FASTENER** 3,004,715 A \* 10/1961 Gadd ..... F16B 13/141  
238/349

(71) Applicant: **PrimeSource Building Products, Inc.**, 3,120,148 A 2/1964 Prutton  
Irving, TX (US) 3,137,858 A 6/1964 Powers  
3,717,067 A 2/1973 Vick et al.  
4,437,804 A \* 3/1984 Fischer ..... F16B 33/02  
411/417

(72) Inventors: **Tse-Kuang Jou**, Kaohsiung (TW);  
**Chih-Hong Lu**, Kaohsiung (TW) 4,718,802 A 1/1988 Rockenfeller et al.  
(Continued)

(73) Assignee: **PrimeSource Building Products, Inc.**,  
Irving, TX (US)

(\*\*) Term: **15 Years**

(21) Appl. No.: **29/805,976**

(22) Filed: **Aug. 31, 2021**

(51) **LOC (14) Cl.** ..... **08-08**

(52) **U.S. Cl.**  
USPC ..... **D8/387**

(58) **Field of Classification Search**  
USPC ..... D8/387  
CPC .... F16B 23/003; F16B 33/02; F16B 25/0057;  
F16B 35/06; F16B 25/106; F16B 35/065;  
F16B 25/0047; F16B 25/0015; F16B  
25/0052; F16B 25/0084; F16B 25/0036;  
F16B 25/0042; F16B 25/0063; F16B  
25/0068; F16B 25/0073; F16B 2033/025;  
F16B 33/04; F16B 15/06; F16B 19/14;  
Y10S 411/922

See application file for complete search history.

(56) **References Cited**

**U.S. PATENT DOCUMENTS**

877,131 A \* 1/1908 Searelle ..... F16B 25/0052  
411/399

1,294,268 A \* 2/1919 Holmes ..... F16B 25/0052  
411/421

2,025,961 A 12/1935 Stone

2,232,336 A 2/1941 Frieda

2,242,758 A \* 5/1941 Ruggieri ..... F16B 25/0047  
411/414

**FOREIGN PATENT DOCUMENTS**

CN 302306033 \* 1/2013  
CN 101896727 B 3/2013  
(Continued)

**OTHER PUBLICATIONS**

Yagid, Rob, Fine Homebuilding, <https://www.finehomebuilding.com/2009/09/17/whats-the-difference-nail-shanks>.  
(Continued)

*Primary Examiner* — Sandra Snapp  
*Assistant Examiner* — Ieisha N Price  
(74) *Attorney, Agent, or Firm* — Husch Blackwell LLP

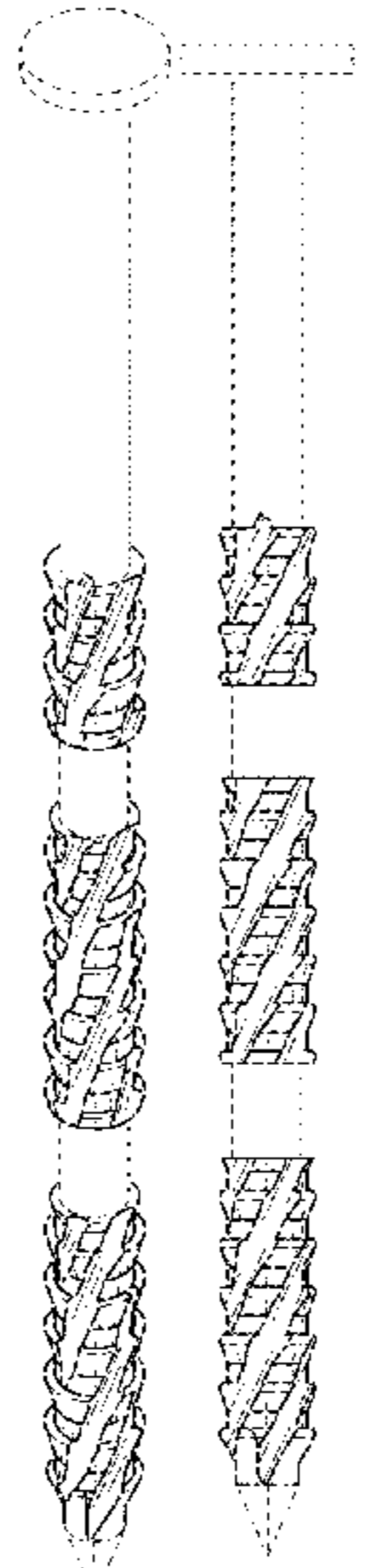
(57) **CLAIM**

The ornamental design for a fastener, as shown and described.

**DESCRIPTION**

FIG. 1 is a perspective view of a fastener according to the design;  
FIG. 2 is a front view thereof;  
FIG. 3 is a rear view thereof;  
FIG. 4 is a right side view thereof;  
FIG. 5 is a left side view thereof;  
FIG. 6 is a top view thereof; and,  
FIG. 7 is a bottom view thereof.  
The broken lines in the drawings illustrate portions of the fastener and form no part of the claimed design.

**1 Claim, 3 Drawing Sheets**



(56)

References Cited

U.S. PATENT DOCUMENTS

4,836,372 A 6/1989 Shelton  
D313,344 S \* 1/1991 Trittle ..... D8/387  
5,076,747 A 12/1991 Cosenza  
5,260,100 A \* 11/1993 Day ..... F16B 25/0031  
427/388.1  
5,391,029 A 2/1995 Fardell  
5,489,179 A 2/1996 Gabriel et al.  
5,810,534 A 9/1998 Carlisle et al.  
6,077,012 A 6/2000 Granese et al.  
6,176,662 B1 1/2001 Champney et al.  
6,428,258 B1 \* 8/2002 Osterle ..... F16B 25/0084  
411/386  
6,758,018 B2 7/2004 Sutt, Jr.  
6,805,525 B2 10/2004 Oswald  
6,928,778 B2 8/2005 Schmid  
7,282,662 B2 10/2007 Champney et al.  
D558,042 S \* 12/2007 Gaudron ..... D8/387  
7,374,384 B2 5/2008 Sutt, Jr.  
7,374,494 B2 \* 5/2008 Brewer ..... F16L 15/006  
470/8  
7,665,942 B2 2/2010 Tadros et al.  
7,695,228 B2 4/2010 Craven  
7,819,614 B2 10/2010 Versino et al.  
7,845,889 B2 12/2010 Shelton et al.  
D669,772 S \* 10/2012 Fox ..... D8/387  
8,511,962 B2 8/2013 Schuech et al.  
9,322,422 B2 4/2016 Park  
D816,469 S \* 5/2018 Toomey ..... D8/387  
9,970,470 B2 5/2018 Shih  
10,012,256 B2 7/2018 Sutt, Jr.  
10,197,082 B2 2/2019 Gabriel et al.  
10,215,211 B2 2/2019 Hasegawa  
10,371,189 B2 8/2019 Ryan et al.  
D874,251 S \* 2/2020 Neuhofer, Jr. .... D8/387  
D899,238 S \* 10/2020 Scott ..... D8/387  
10,808,742 B2 10/2020 Ryan et al.  
10,954,982 B2 3/2021 Wright  
D943,406 S \* 2/2022 Corbit ..... D8/387  
2004/0047713 A1 3/2004 Jung

2006/0269381 A1 11/2006 Bobrowski et al.  
2009/0035091 A1 \* 2/2009 Geist ..... F16B 33/02  
470/11  
2009/0155020 A1 6/2009 Versino et al.  
2011/0318139 A1 12/2011 Tarleton  
2013/0011214 A1 \* 1/2013 Lin ..... F16B 25/0057  
411/387.4  
2013/0108396 A1 5/2013 Hung  
2014/0199134 A1 7/2014 Morales  
2017/0030394 A1 2/2017 Zimmerman et al.  
2018/0017092 A1 \* 1/2018 Hasegawa ..... F16B 35/065  
2019/0032694 A1 \* 1/2019 Zimmerman ..... F16B 25/0063  
2019/0170176 A1 6/2019 Gabriel  
2020/0003245 A1 1/2020 Zimmerman et al.  
2021/0088070 A1 \* 3/2021 Beck ..... F16B 25/106  
2022/0220993 A1 \* 7/2022 Lutz ..... F16B 19/02

FOREIGN PATENT DOCUMENTS

CN 202768578 U 3/2013  
CN 102066774 B 6/2013  
CN 101589238 B 5/2014  
CN 103256285 B 10/2015  
CN 306379814 \* 3/2021  
CN 307046586 \* 1/2022  
JP 2016070299 A2 5/2016  
JP D1691368 \* 8/2021  
JP D1691415 \* 8/2021  
JP D1691416 \* 8/2021  
KR 300859775.0000 \* 6/2016  
KR 300986675.0000 \* 12/2018  
TW 201009201 A 3/2010  
WO 2020083458 4/2020

OTHER PUBLICATIONS

International Search Report and Written Opinion issued for International Application No. PCT/US21/48471 dated Feb. 7, 2022.  
Nail—Britannica Online Encyclopedia, dated Mar. 22, 2023 (1 page), <https://www.britannica.com/print/article/401862>.

\* cited by examiner

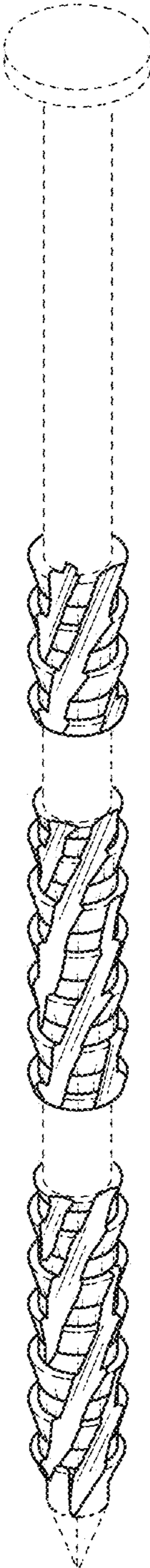


FIG. 1

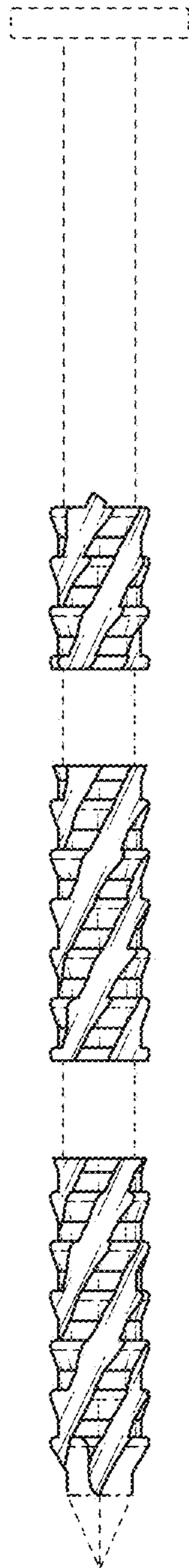


FIG. 2

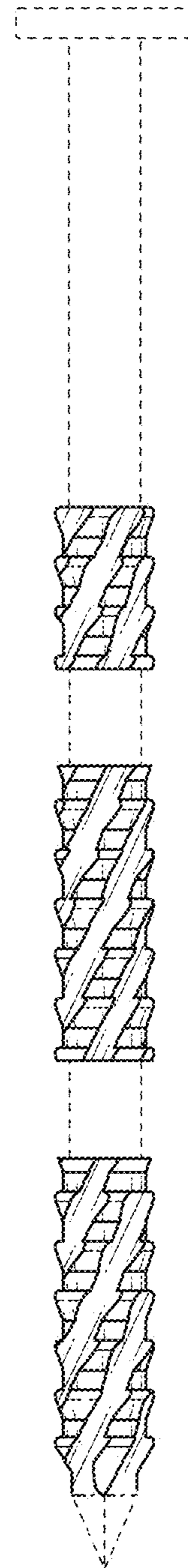


FIG. 3

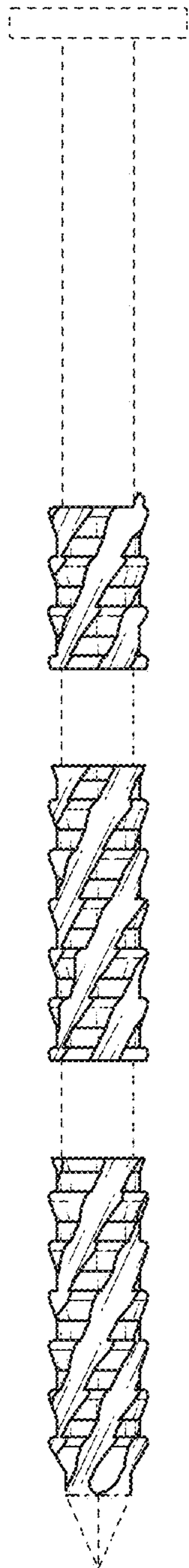


FIG. 4

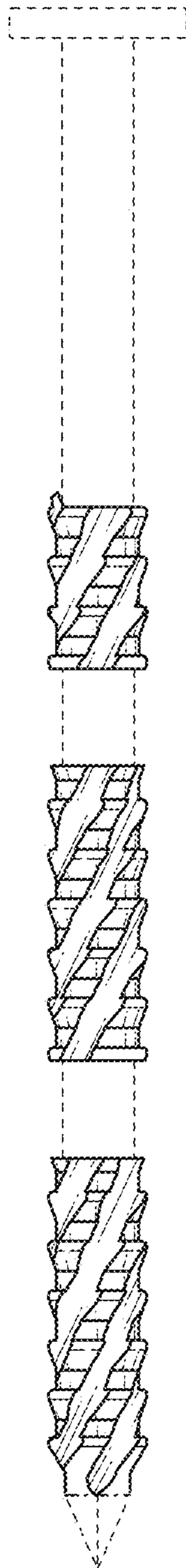


FIG. 5

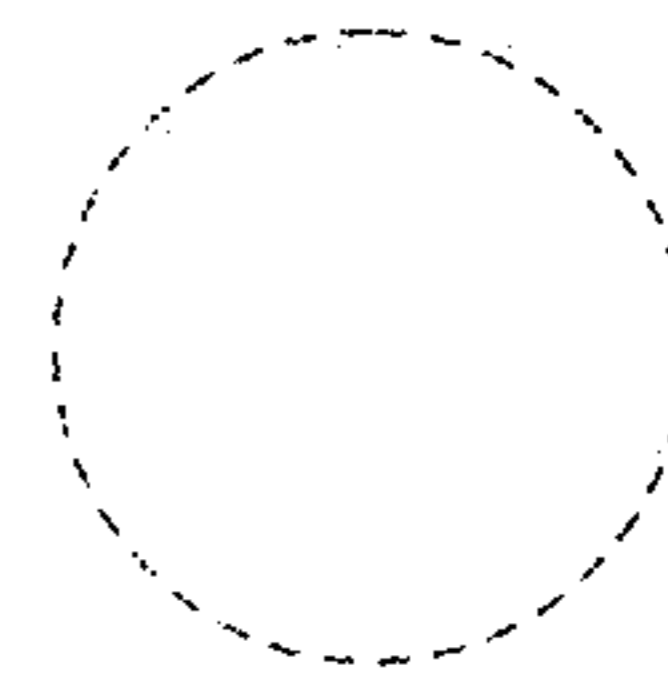


FIG. 6

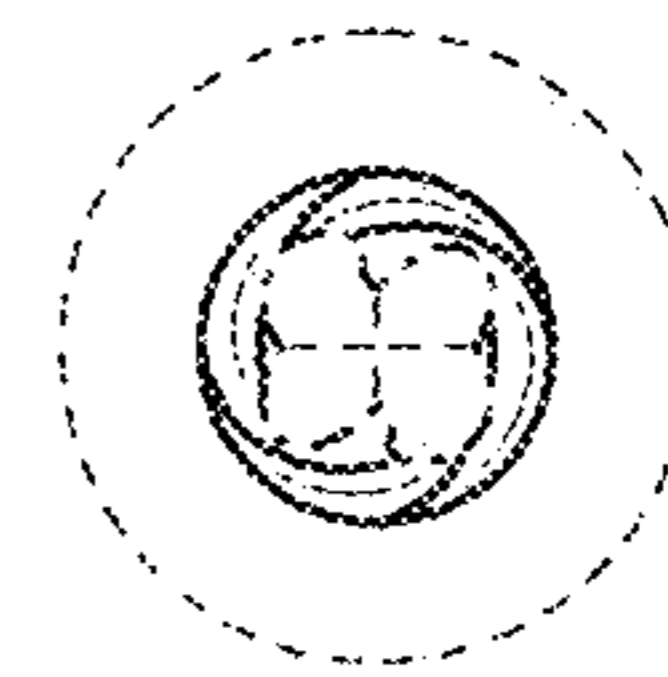


FIG. 7