



US00D986727S

(12) **United States Design Patent**
Herrick et al.

(10) **Patent No.:** **US D986,727 S**
(45) **Date of Patent:** **** May 23, 2023**

- (54) **DRAWER GUIDE**
- (71) Applicant: **Ashley Furniture Industries, LLC**,
Arcadia, WI (US)
- (72) Inventors: **Jeremy Thomas Herrick**, Whitehall,
WI (US); **Karl Joseph Fegi**, Holmen,
WI (US)
- (73) Assignee: **ASHLEY FURNITURE**
INDUSTRIES, LLC, Arcadia, WI (US)
- (**) Term: **15 Years**

- 5,746,490 A * 5/1998 Domenig A47B 88/43
312/334.7
- 6,027,193 A * 2/2000 Domenig A47B 88/433
312/334.14
- 6,481,812 B1 * 11/2002 Domenig A47B 88/467
312/334.6
- 7,344,209 B1 * 3/2008 Miyashiro E05B 65/0014
312/334.47
- 9,352,875 B1 * 5/2016 Roberts B65D 19/0002
- D934,673 S * 11/2021 Marsden D8/402
- D934,674 S * 11/2021 Marsden D8/402
- D962,747 S * 9/2022 Lin D8/354
- D965,405 S * 10/2022 Duxbury D8/71
- 2006/0226748 A1 * 10/2006 Kinsel A47B 88/43
312/334.7

(Continued)

- (21) Appl. No.: **29/806,016**
- (22) Filed: **Aug. 31, 2021**
- (51) **LOC (14) Cl.** **08-05**
- (52) **U.S. Cl.**
USPC **D8/380**
- (58) **Field of Classification Search**
USPC ... D8/354, 356, 382, 380, 367, 331, 51, 376
CPC A47B 88/43; A47B 88/427; A47B 88/483;
A47B 88/49; A47B 88/477; A47B
2210/0059
See application file for complete search history.

Primary Examiner — Keli L Hill
Assistant Examiner — Harold E Blackwell, II
(74) *Attorney, Agent, or Firm* — Christensen, Fonder,
Dardi & Herbert PLLC

(57) **CLAIM**

We claim the ornamental design for a drawer guide, as shown and described.

DESCRIPTION

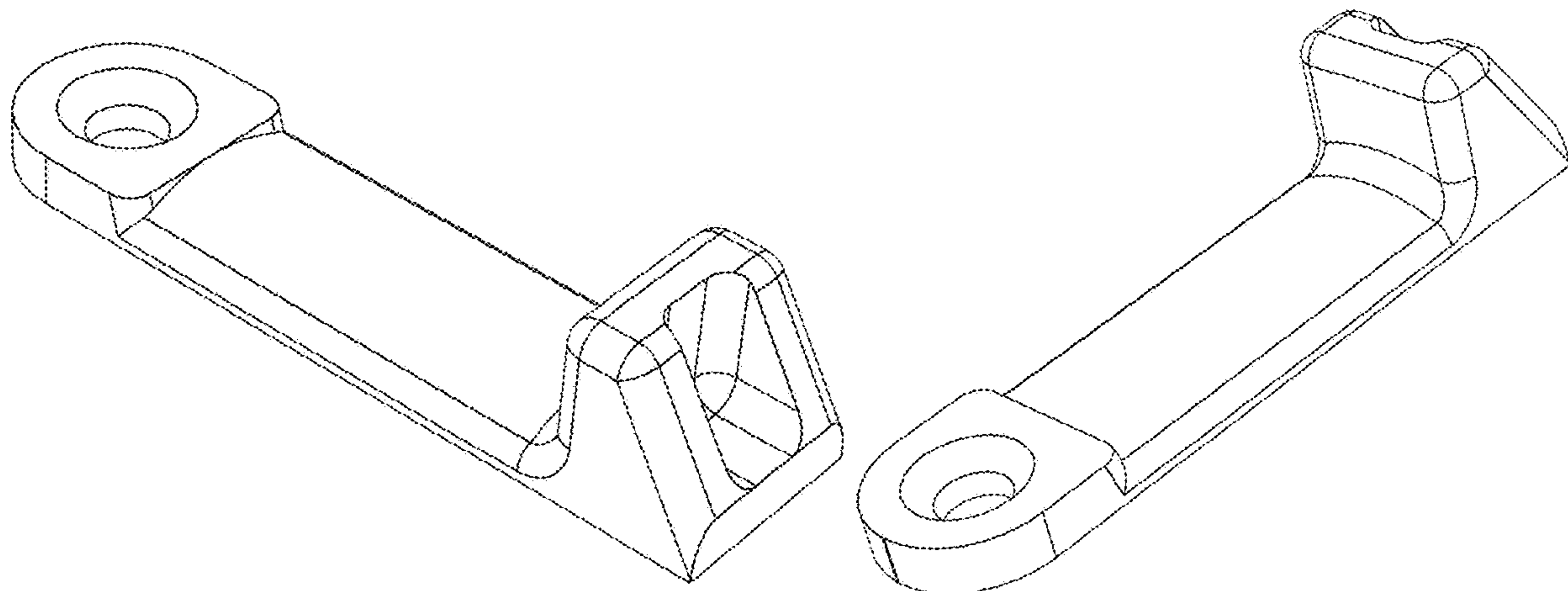
FIG. 1 is a perspective top front view of a drawer guide showing our new design.
FIG. 2 is a bottom front perspective view of the drawer guide of FIG. 1.
FIG. 3 is a top rear perspective view of the drawer guide of FIG. 1.
FIG. 4 is a bottom rear perspective view of the drawer guide of FIG. 1.
FIG. 5 is a right side view of the drawer guide of FIG. 1.
FIG. 6 is a left side view of the drawer guide of FIG. 1.
FIG. 7 is a top view of the drawer guide of FIG. 1.
FIG. 8 is a bottom view of the drawer guide of FIG. 1.
FIG. 9 is a rear view of the drawer guide of FIG. 1; and, FIG. 10 is a front view of the drawer guide of FIG. 1.

(56) **References Cited**

U.S. PATENT DOCUMENTS

- 1,227,001 A 5/1917 Randall
- 2,785,939 A 3/1957 Hillson
- 2,857,233 A 10/1958 Reiss et al.
- D198,813 S * 8/1964 Stone D8/356
- 3,639,028 A * 2/1972 Black A47B 88/57
312/334.46
- 3,909,078 A 9/1975 Riley
- D261,844 S * 11/1981 Blasnik D6/705
- D270,413 S * 9/1983 Gutner D8/374
- D276,682 S * 12/1984 Hardy D8/382
- 5,371,979 A * 12/1994 Kwiatkowski E04D 13/10
52/24

1 Claim, 4 Drawing Sheets



(56)

References Cited

U.S. PATENT DOCUMENTS

2013/0076219 A1* 3/2013 Lam A47B 88/493
312/319.1
2014/0265791 A1* 9/2014 Hunter A47B 88/90
312/334.12

* cited by examiner

Fig. 1

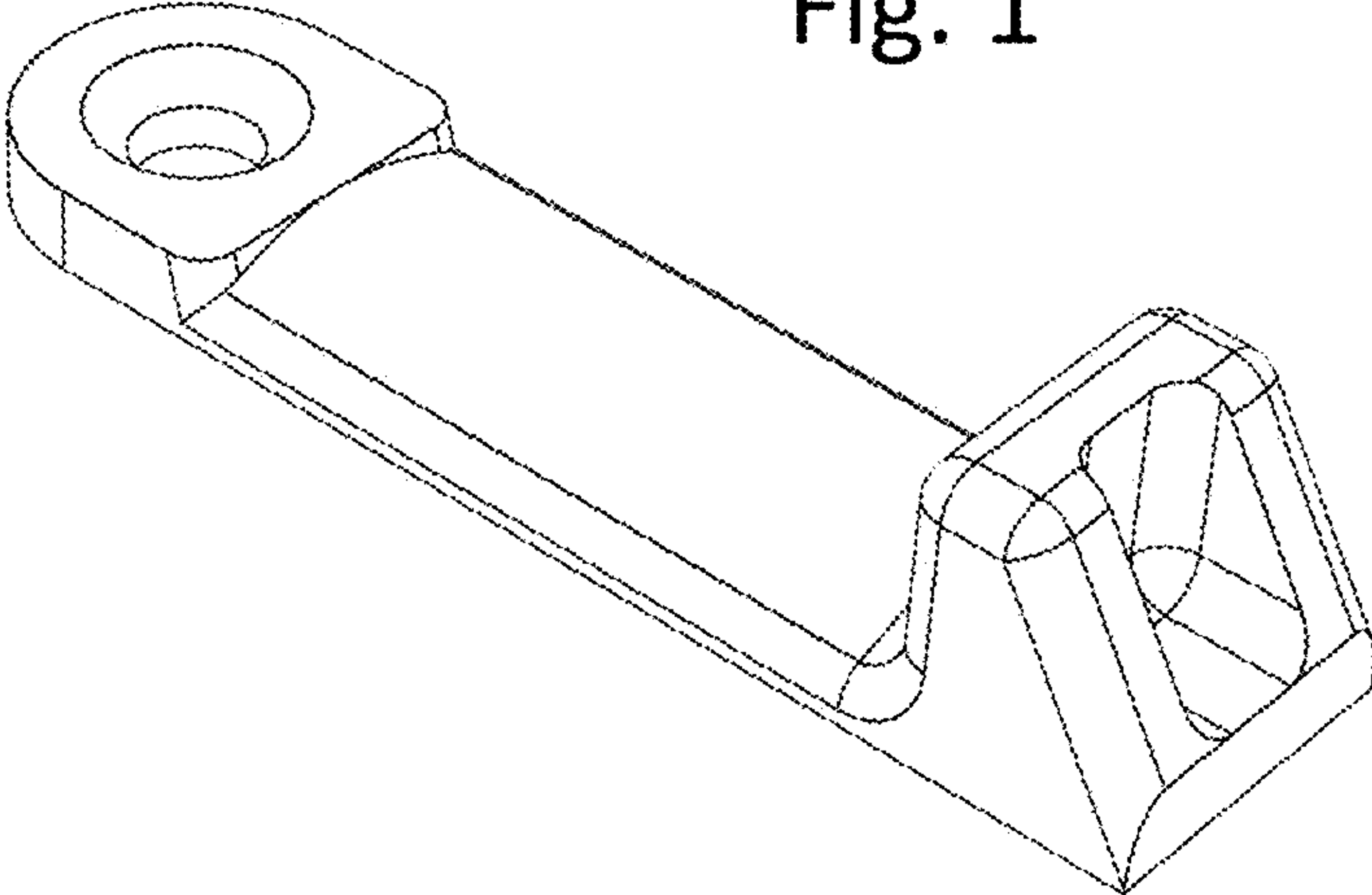


Fig. 2

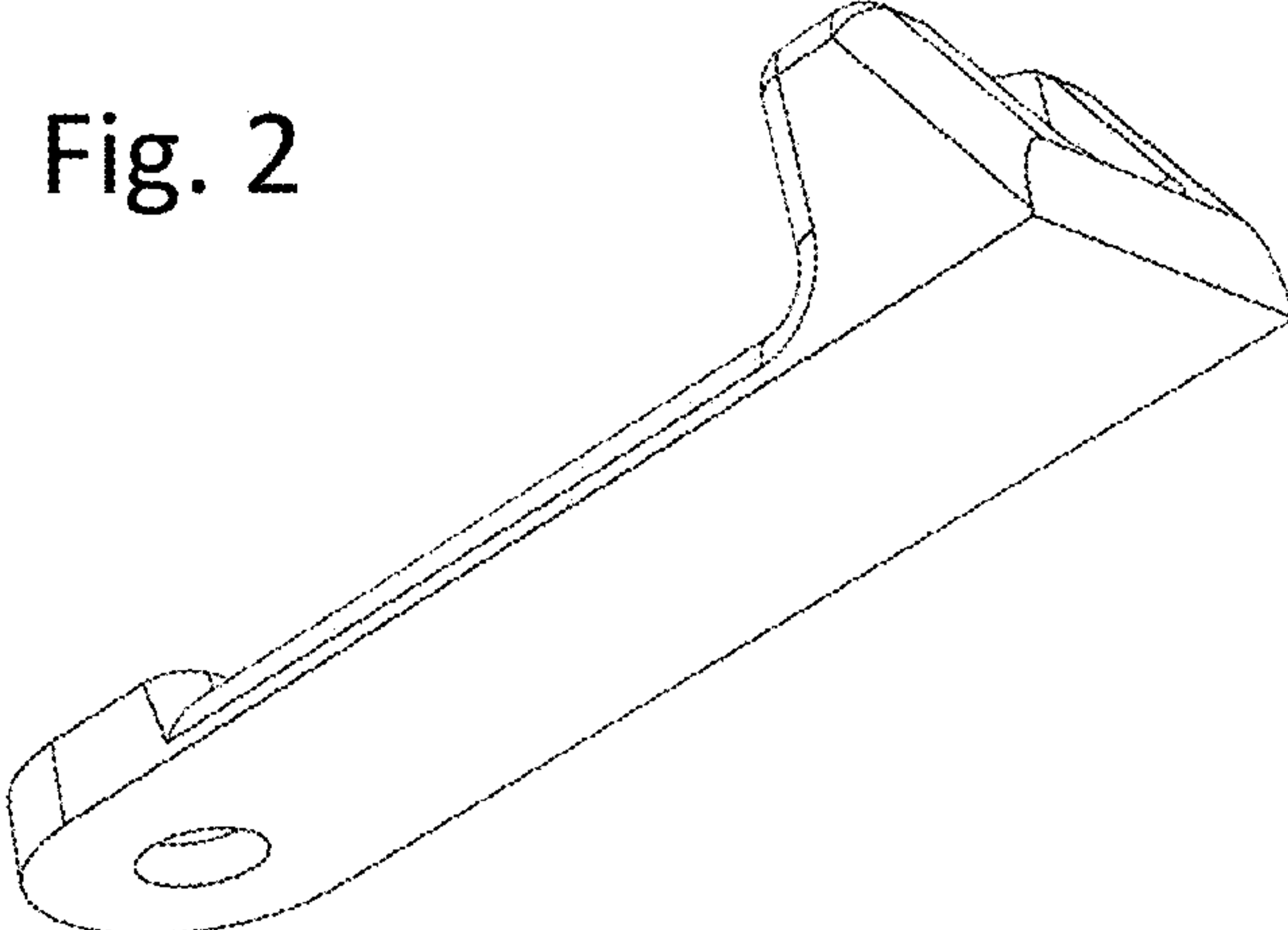


Fig. 3

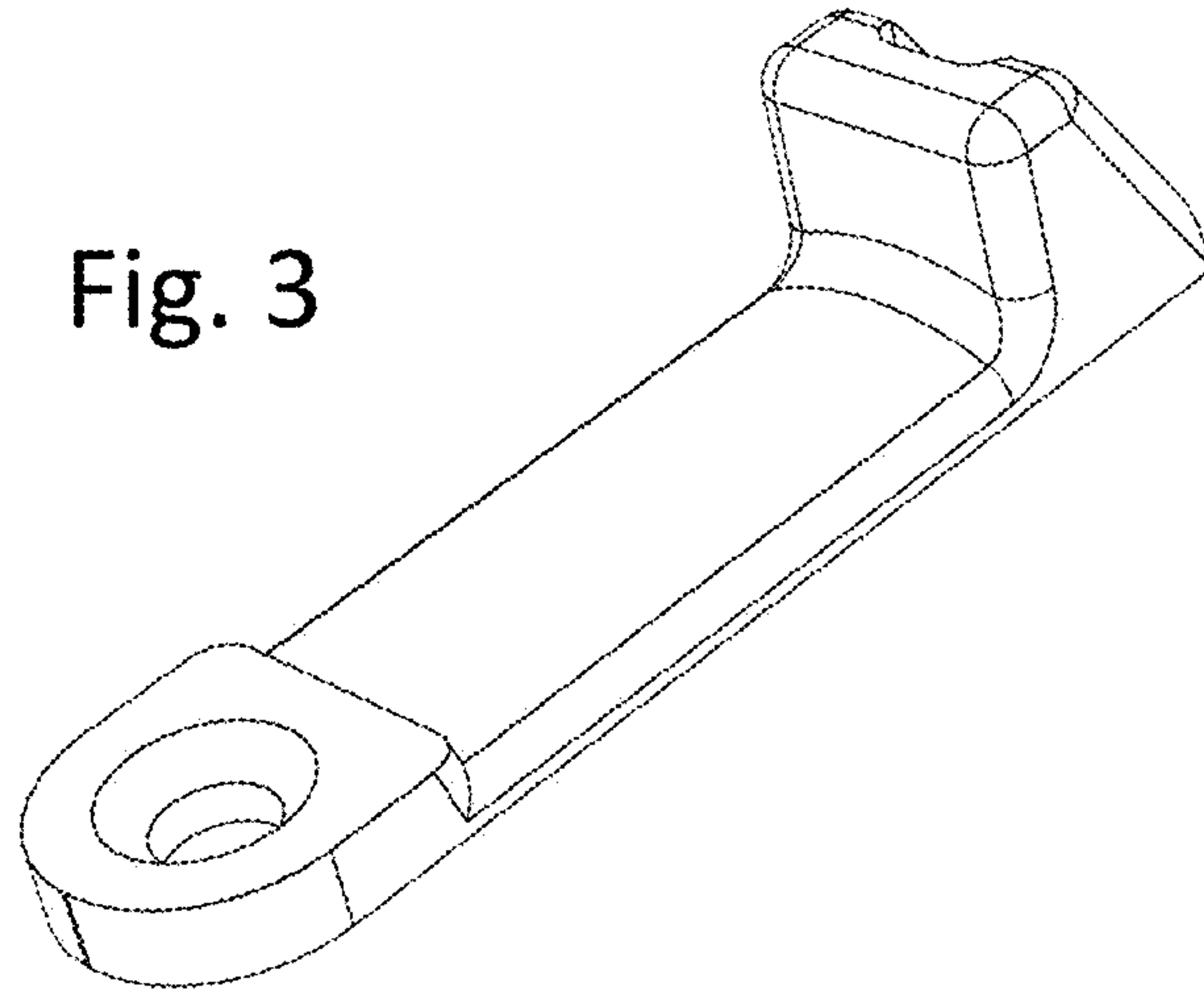


Fig. 4

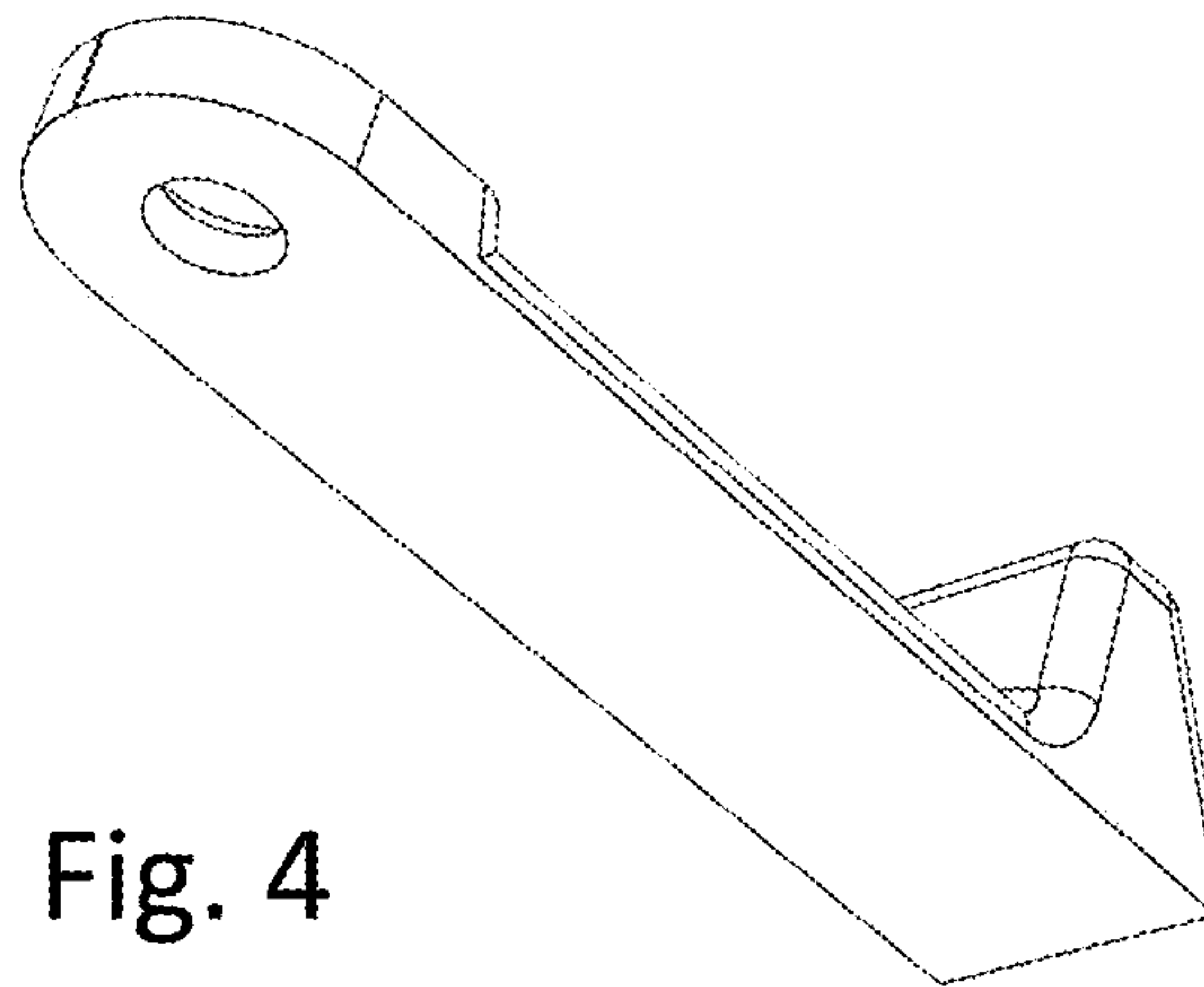


Fig. 5

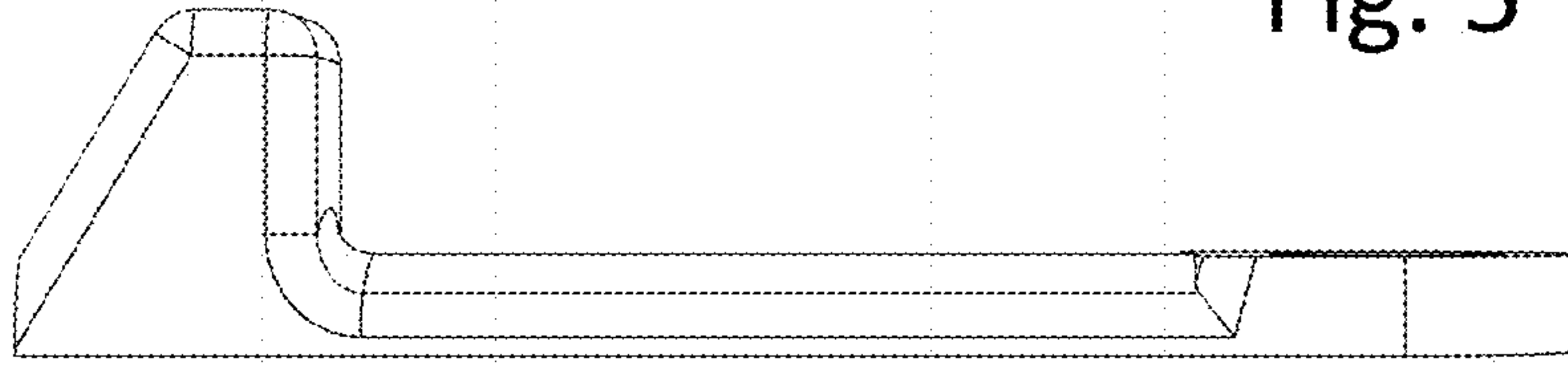


Fig. 6

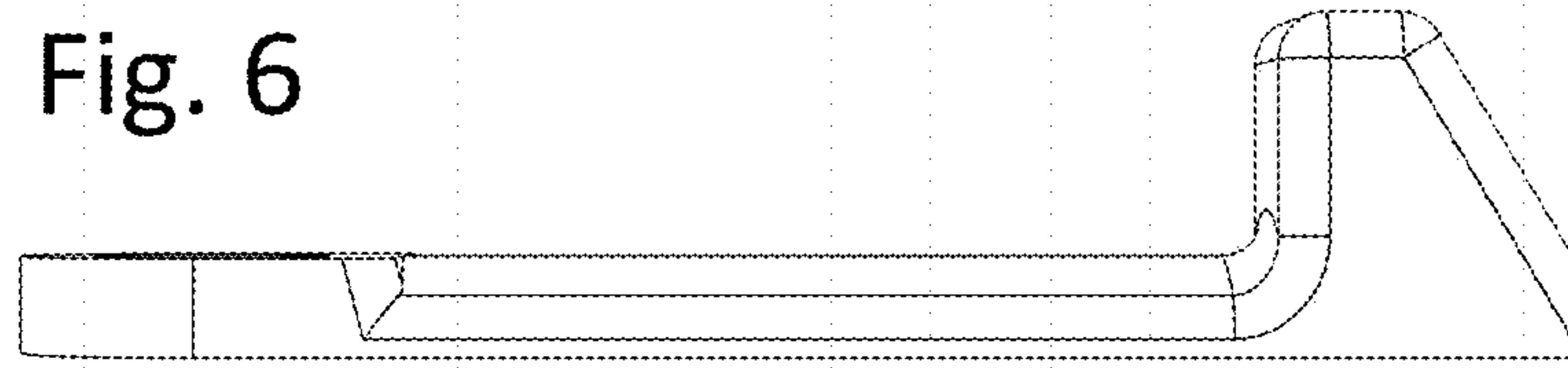


Fig. 7

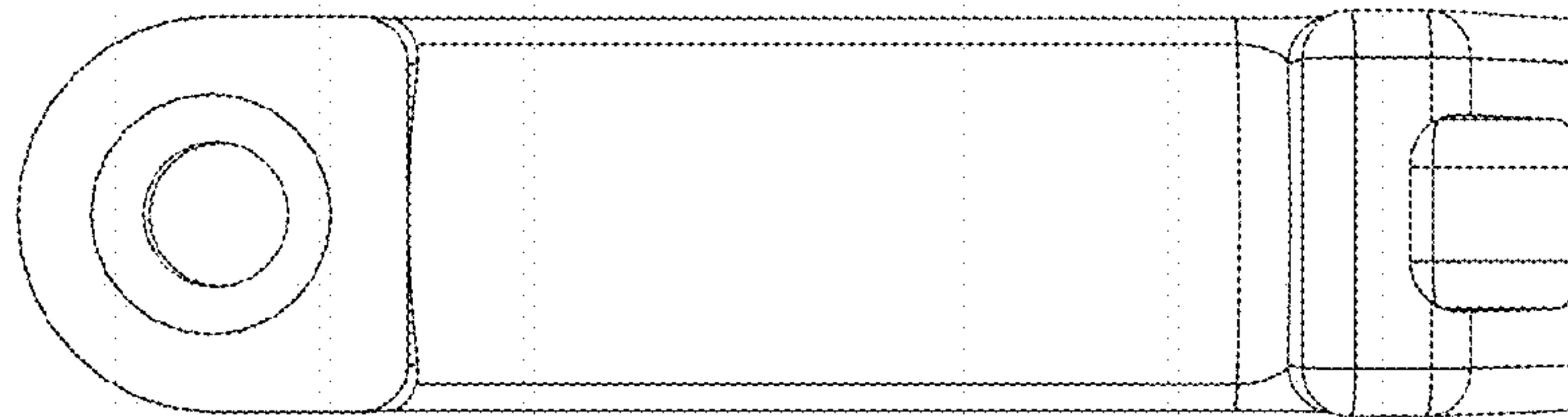
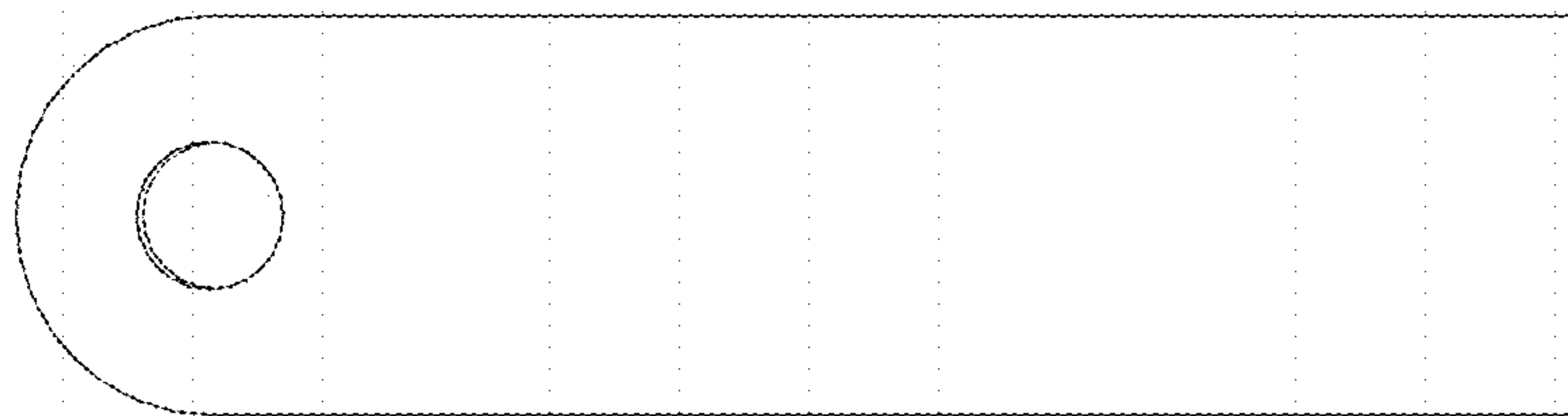


Fig. 8



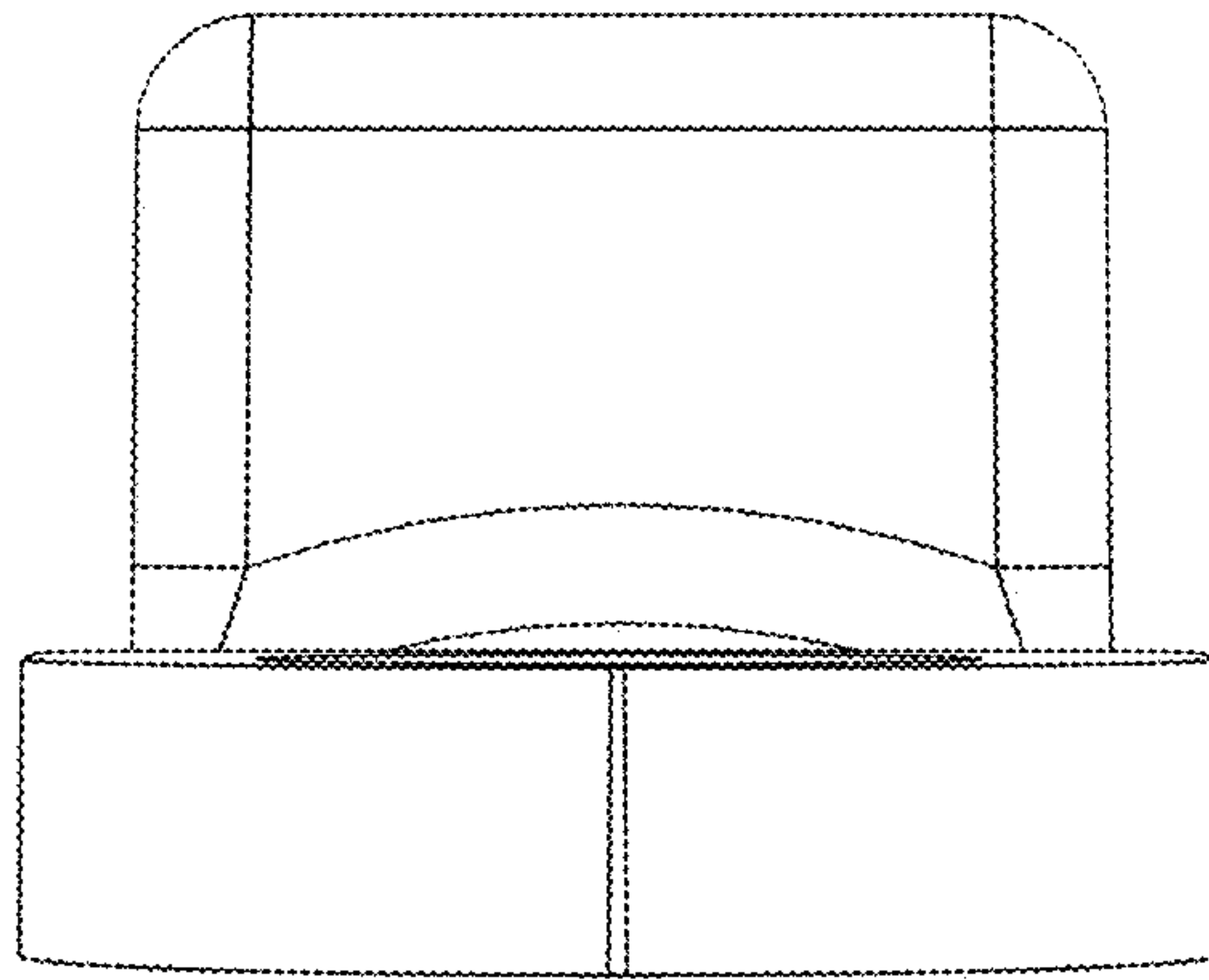


Fig. 9

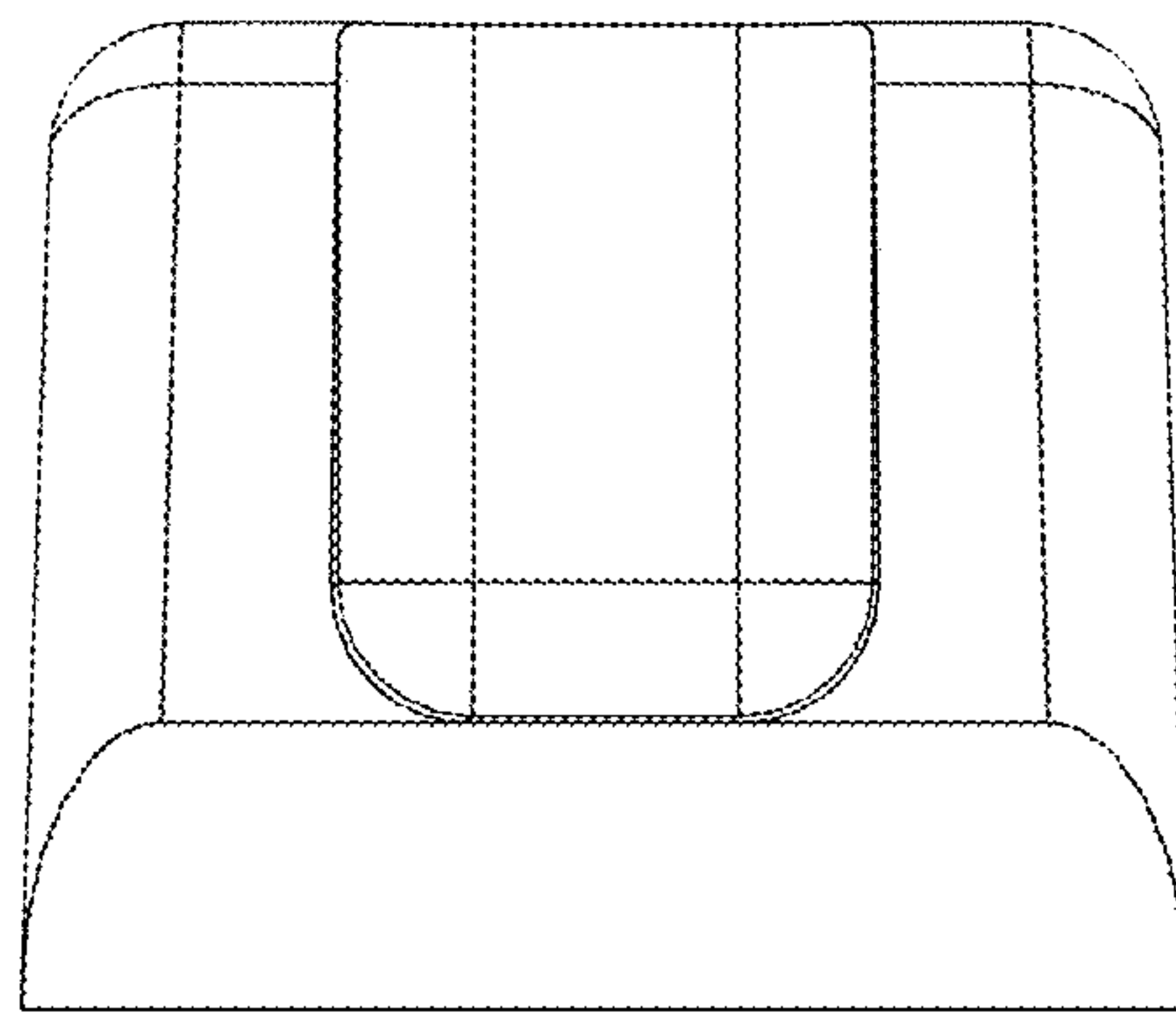


Fig. 10