



US00D986726S

(12) **United States Design Patent** (10) **Patent No.:** **US D986,726 S**
Carter (45) **Date of Patent:** **** May 23, 2023**

(54) **BED LIFTER**
(71) Applicant: **Joshua Carter**, Scottsdale, AZ (US)
(72) Inventor: **Joshua Carter**, Scottsdale, AZ (US)
(**) Term: **15 Years**
(21) Appl. No.: **29/808,728**
(22) Filed: **Sep. 22, 2021**
(51) **LOC (14) Cl.** **08-11**
(52) **U.S. Cl.**
USPC **D8/374; D8/373**
(58) **Field of Classification Search**
USPC D8/316, 358, 359, 363, 366, 370, 371,
D8/372, 373, 382, 374, 375, 376, 377;
D6/675, 685, 687, 690, 691.1, 691.2,
D6/691.3, 641, 671; D7/600, 400
CPC A47C 7/006; A47C 7/008; A47C 7/62;
A47C 7/002; A47C 19/024; A47C
19/045; A47B 91/06; A47B 91/066; A47B
97/00; A47B 7/00; A47B 13/08; A47B
91/00; A47B 19/00; A47B 91/005; A47B
91/04; A47B 91/12; B60T 3/00; A47F
1/065; G10C 3/16; F16M 11/24; E02D
27/01
See application file for complete search history.

D493,095 S * 7/2004 Sittig D8/374
D493,096 S * 7/2004 Sittig D8/374
D550,069 S * 9/2007 Milligan D8/374
D564,867 S * 3/2008 Levin D8/374
D733,540 S * 7/2015 Merey D8/374
D734,135 S * 7/2015 Merey D8/374
D784,120 S * 4/2017 Abdi D8/374
D889,943 S * 7/2020 Phillips D8/356
D915,871 S * 4/2021 Wendling D8/374
D925,342 S * 7/2021 Winthrop D8/374
D928,603 S * 8/2021 Hancock D8/402
D929,212 S * 8/2021 Guindi D8/374
D941,122 S * 1/2022 Phillips D8/356
11,280,430 B2 * 3/2022 Phillips F16L 3/02
11,466,810 B2 * 10/2022 Mitchell F16M 11/22

* cited by examiner

Primary Examiner — Eliza Z Harvey
Assistant Examiner — Kayla Marie Bennett
(74) *Attorney, Agent, or Firm* — Ward Law Office LLC;
Jacob M. Ward

(57) **CLAIM**

The ornamental design for a bed lifter, as shown and described.

DESCRIPTION

FIG. 1 is a front perspective view of a bed lifter;
FIG. 2 is a front elevational view thereof;
FIG. 3 is a right side elevational view thereof;
FIG. 4 is a top plan view thereof;
FIG. 5 is a rear elevational view thereof;
FIG. 6 is a left side elevational view thereof; and,
FIG. 7 is a bottom plan view thereof.

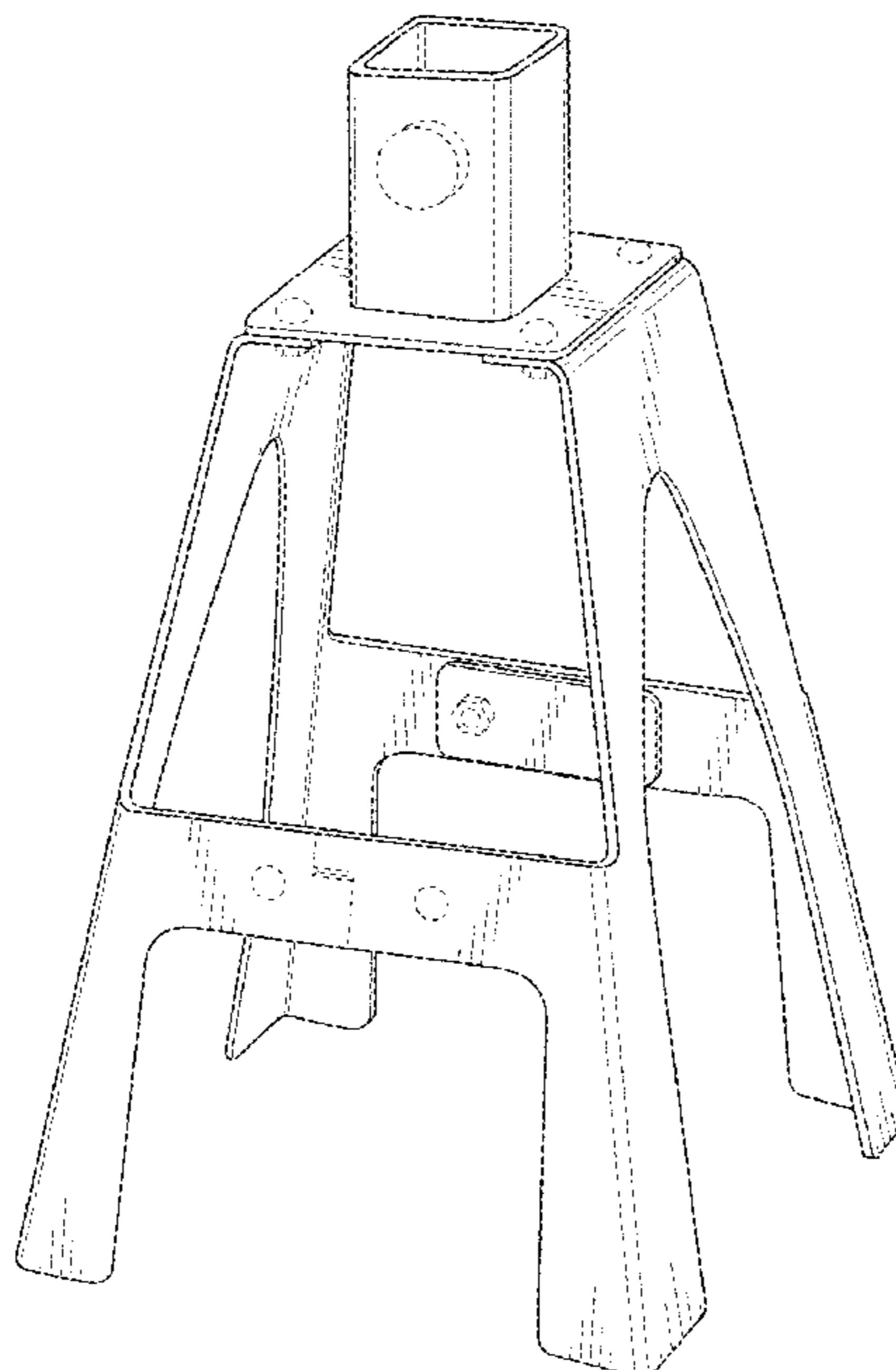
The ornamental design which is claimed is shown in solid lines in the drawings. The broken lines in the drawings are for the purpose of illustrating parts of the bed lifter that form no part of the claimed design.

1 Claim, 3 Drawing Sheets

(56) **References Cited**

U.S. PATENT DOCUMENTS

D336,843 S * 6/1993 Hurst D8/374
D379,061 S * 5/1997 Williams D8/374
D404,992 S * 2/1999 Sittig D8/374
D408,726 S * 4/1999 Vallee D8/380
D423,340 S * 4/2000 Sittig D8/374
D475,498 S * 6/2003 Christensen D34/33
D487,695 S * 3/2004 Sittig D8/374



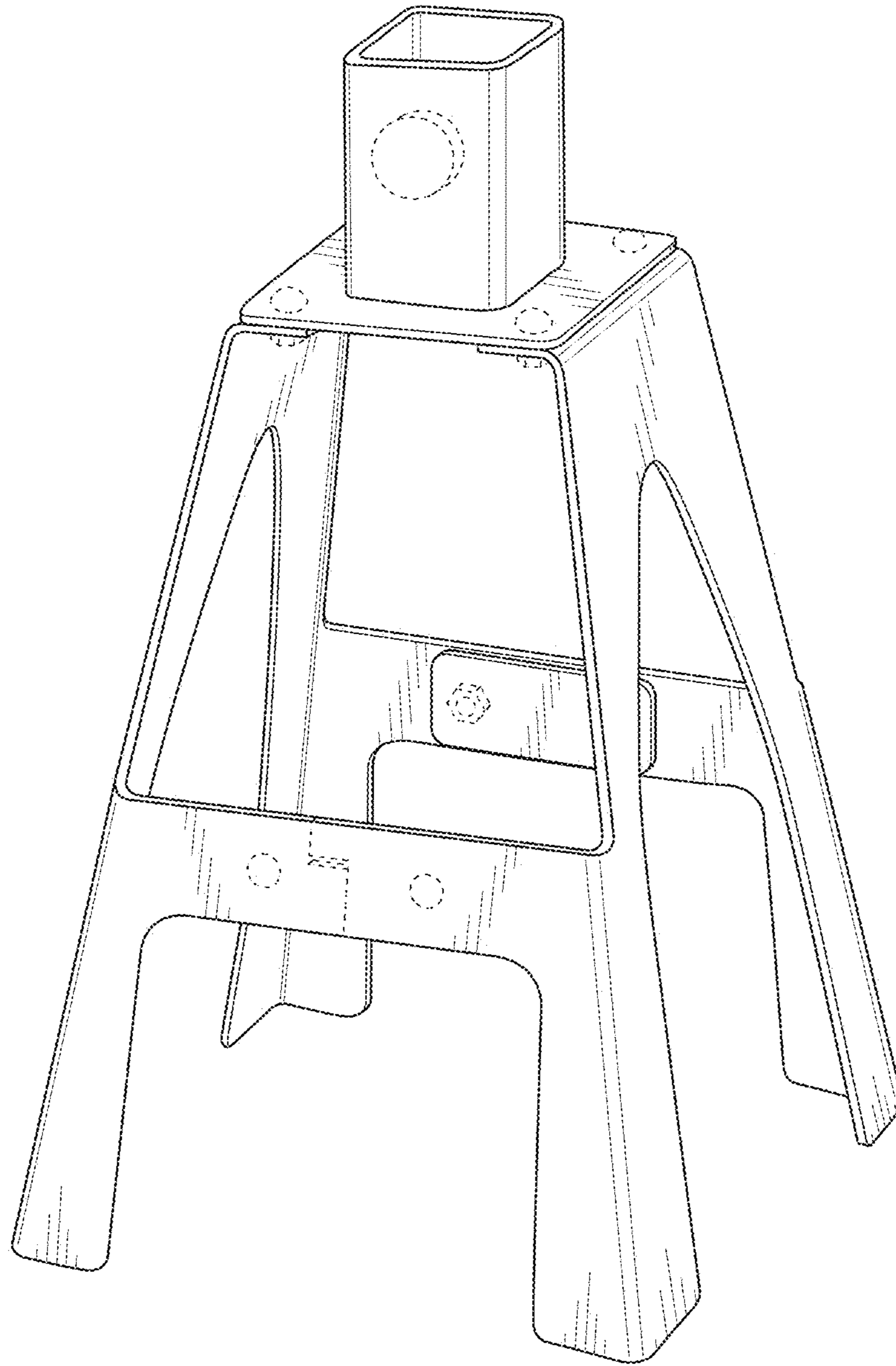


FIG. 1

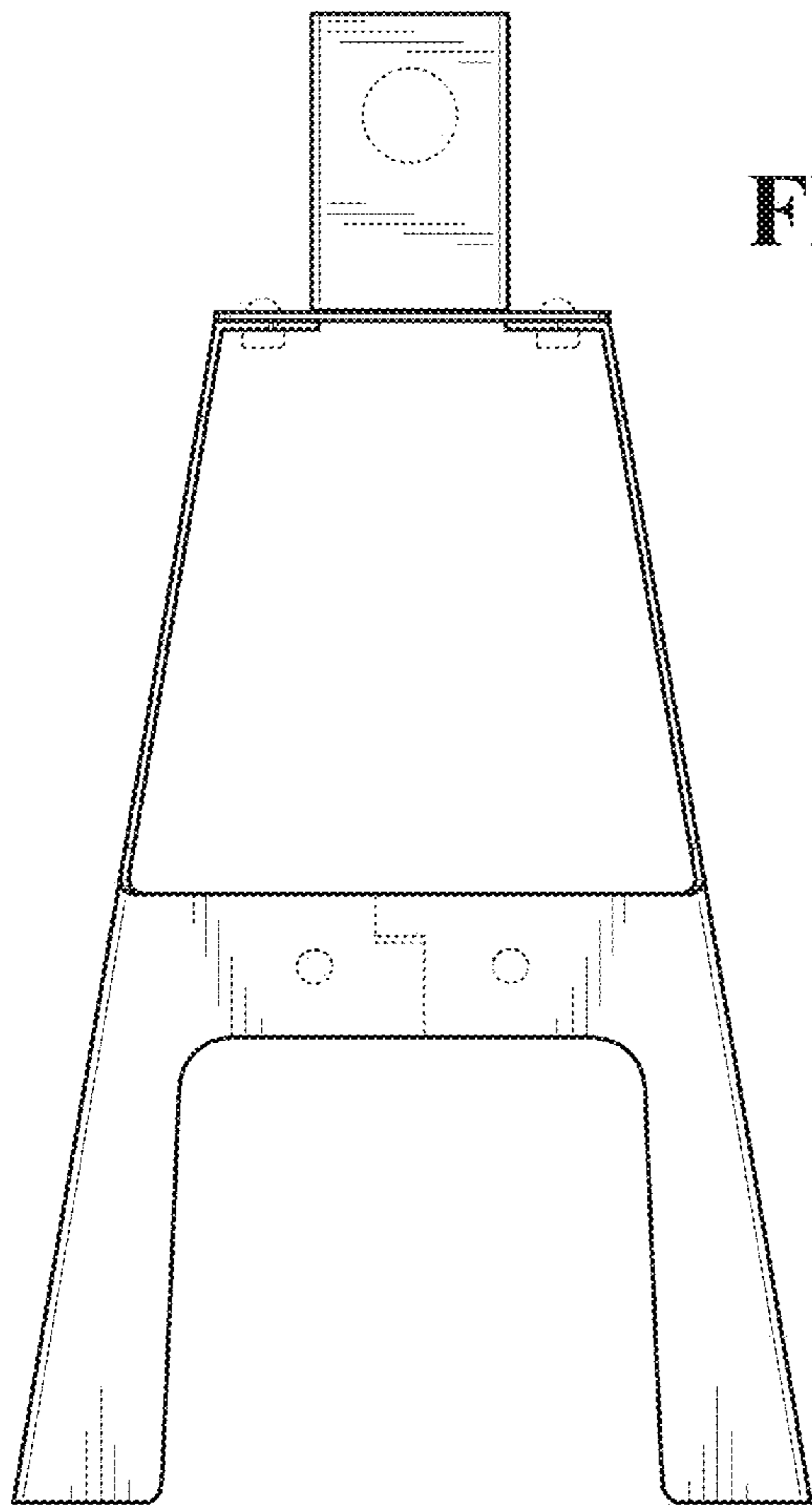


FIG. 2

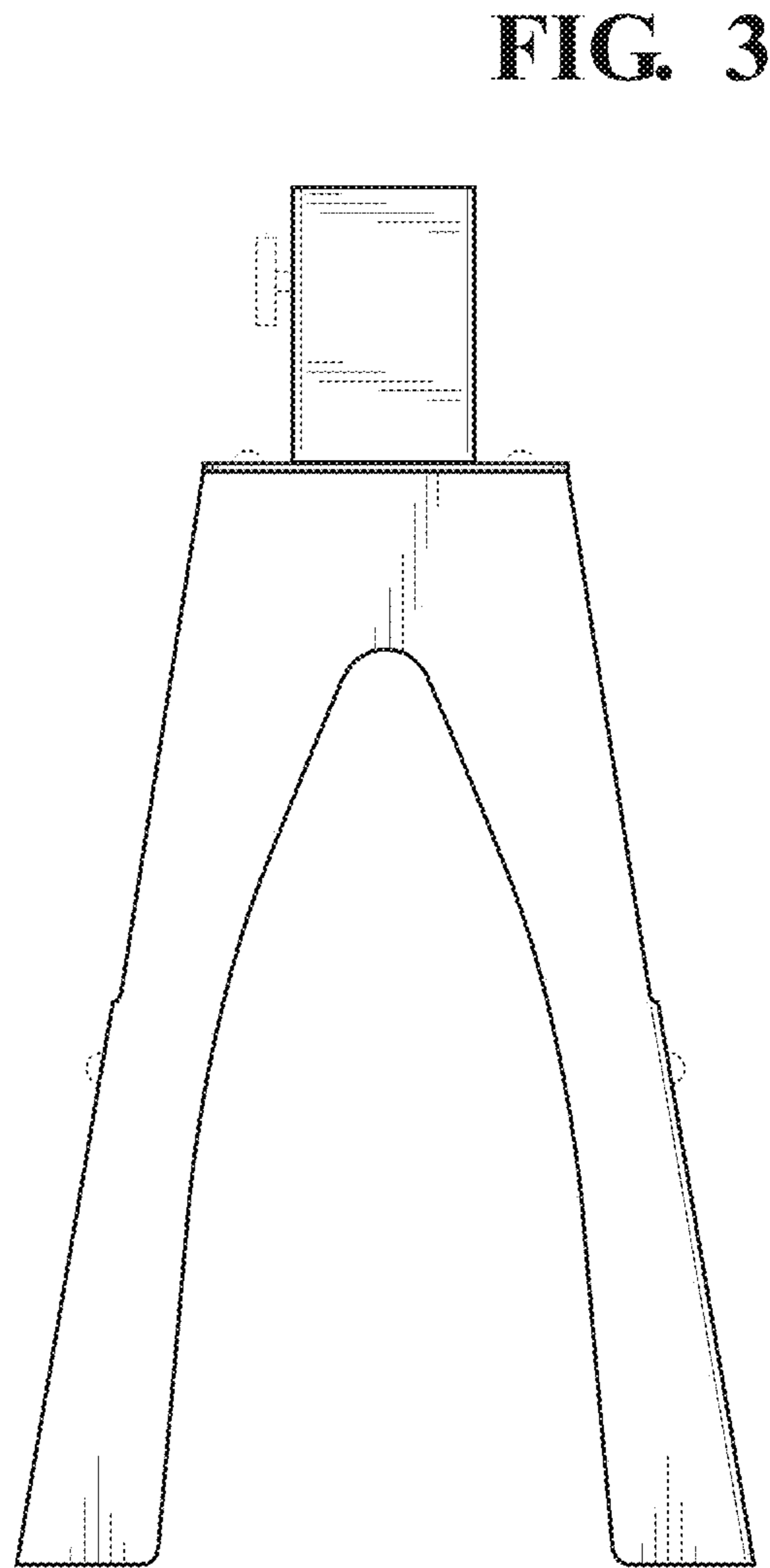


FIG. 3

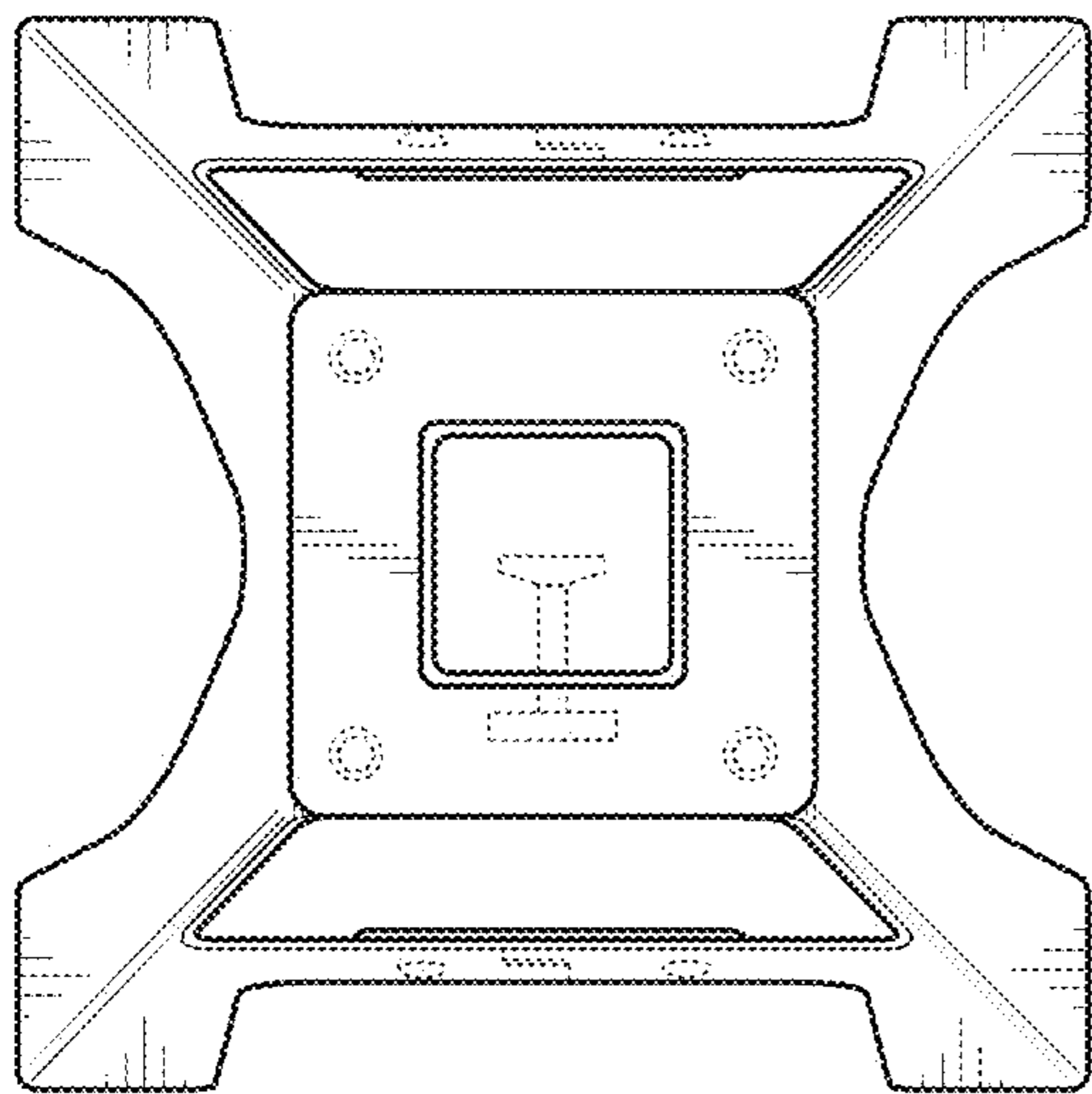


FIG. 4

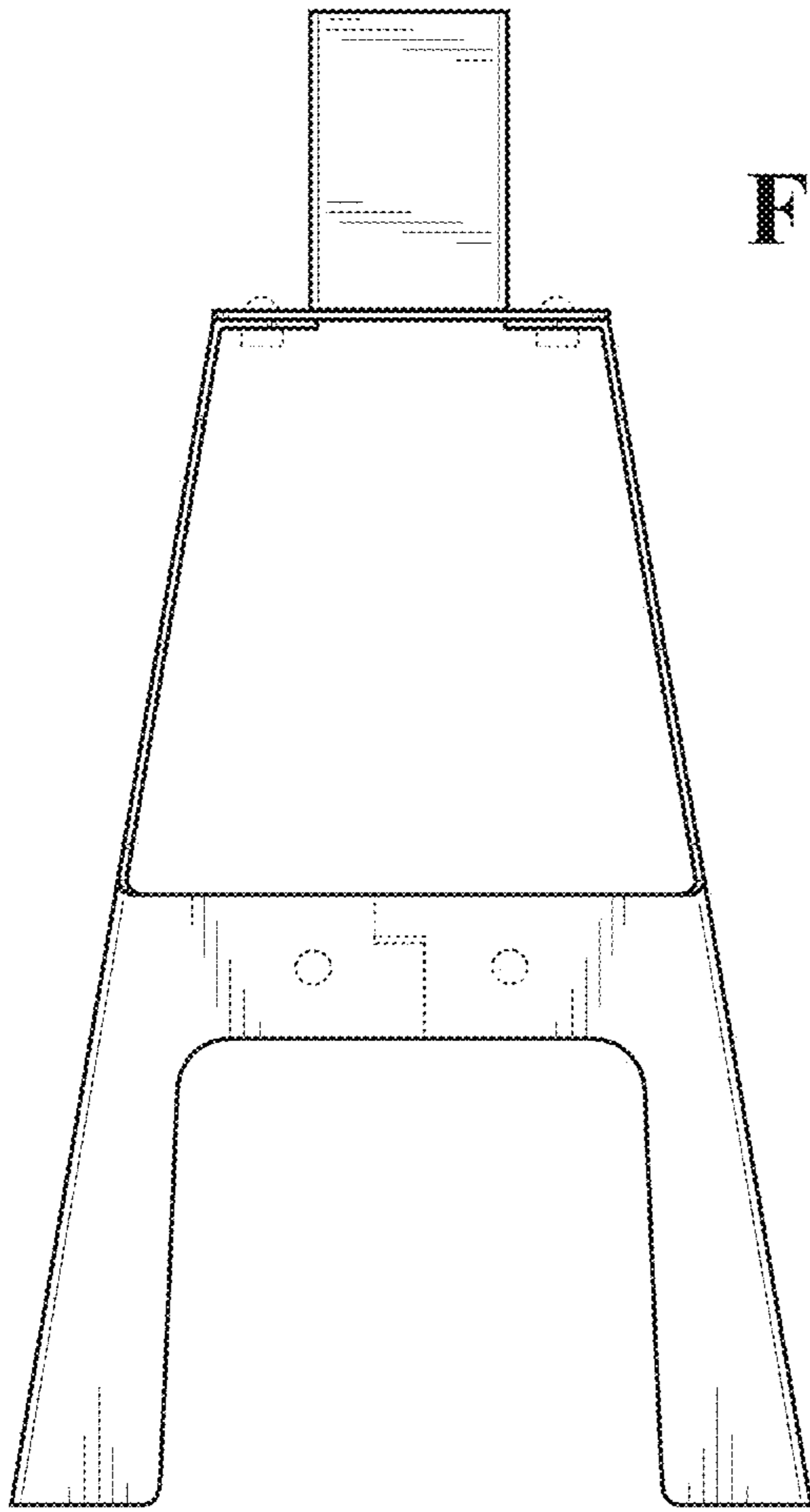


FIG. 5

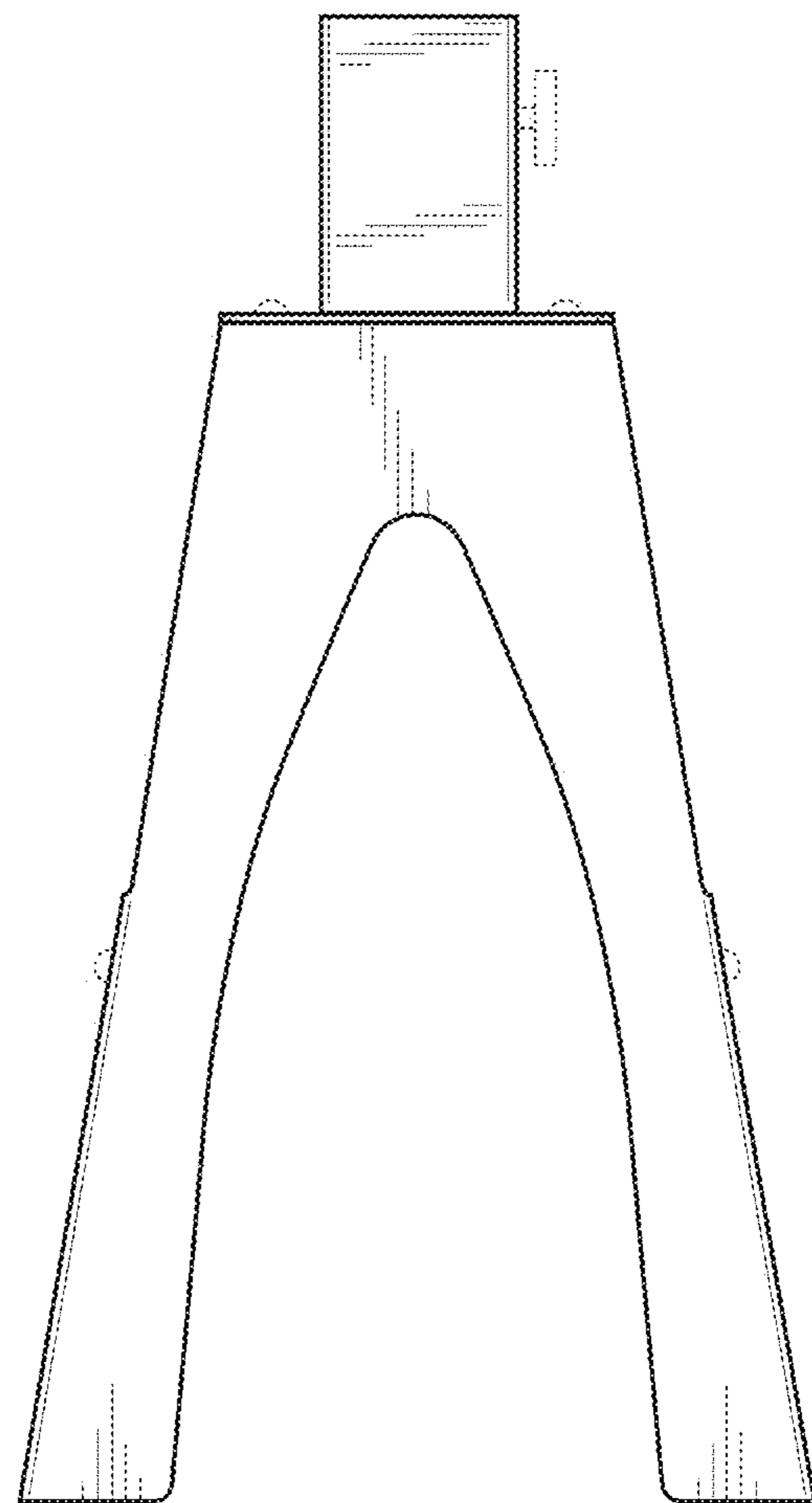


FIG. 6

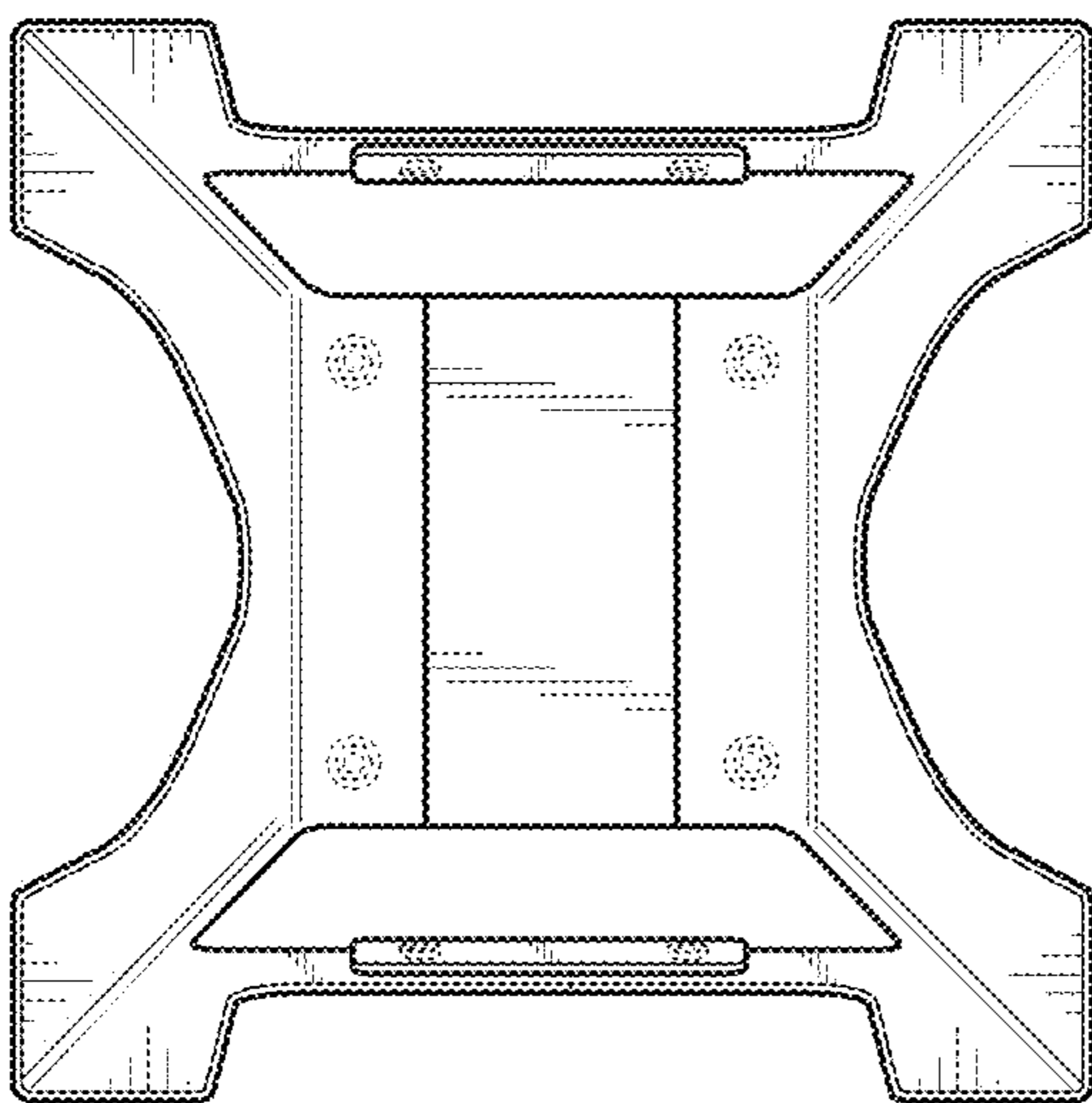


FIG. 7