



US00D986725S

(12) **United States Design Patent** (10) **Patent No.:** **US D986,725 S**
Yu (45) **Date of Patent:** **** May 23, 2023**

(54) **INDUSTRIAL HEX NUT SHOWER CURTAIN
ROD END CAP**

(71) Applicant: **E-BOAT TECHNOLOGY
SHENZHEN LIMITED**, Shenzhen
(CN)

(72) Inventor: **Fenghua Yu**, Shenzhen (CN)

(**) Term: **15 Years**

(21) Appl. No.: **29/838,848**

(22) Filed: **May 16, 2022**

(51) **LOC (14) Cl.** **08-11**

(52) **U.S. Cl.**
USPC **D8/373**

(58) **Field of Classification Search**
USPC D8/15-16, 19-20, 72-74, 300, 303,
D8/306-308, 313, 315, 321, 349-350,
D8/354-355, 373-378, 363, 382-383,
D8/387, 393, 61, 88-89, 14, 367-370;
D6/575, 580, 512, 524, 546, 549;
D21/679

CPC A47H 1/142; A47H 1/02; A47H 1/022;
A47H 1/102

See application file for complete search history.

(56) **References Cited**

U.S. PATENT DOCUMENTS

D309,857 S * 8/1990 Fenton D8/367
D347,467 S * 5/1994 Medvick D23/262
5,377,361 A * 1/1995 Piskula E03D 11/16
138/90
D363,778 S * 10/1995 Cane D24/129
D367,468 S * 2/1996 Nakamura D13/154
D368,304 S * 3/1996 Morrison D23/262
D385,956 S * 11/1997 Doughty D23/259
D397,607 S * 9/1998 Lawson D8/397
D402,354 S * 12/1998 Strong D23/259
D452,428 S * 12/2001 Shinjo D8/397

D462,256 S * 9/2002 Jaynes D8/382
D533,899 S * 12/2006 Ohashi D18/56
D594,735 S * 6/2009 Hofer D8/349
D613,596 S 4/2010 Mangapora
D616,966 S * 6/2010 Angell D23/262
D657,848 S * 4/2012 Howson D23/261
D693,209 S * 11/2013 Walker D8/376
D703,524 S * 4/2014 Sakoda D8/397
D728,758 S * 5/2015 Coronado D23/269
D741,700 S * 10/2015 Mock F16D 1/0864
D8/396
D758,554 S * 6/2016 Lohmann D23/261
(Continued)

OTHER PUBLICATIONS

Briofox Shower Curtain Rod, Date Visited: Sep. 6, 2022, Amazon,
Date Available: Mar. 17, 2021, <https://www.amazon.com/dp/B08Z7GQT4R> (Year: 2021).*

(Continued)

Primary Examiner — Karen S Acker
Assistant Examiner — Elizabeth S Ko

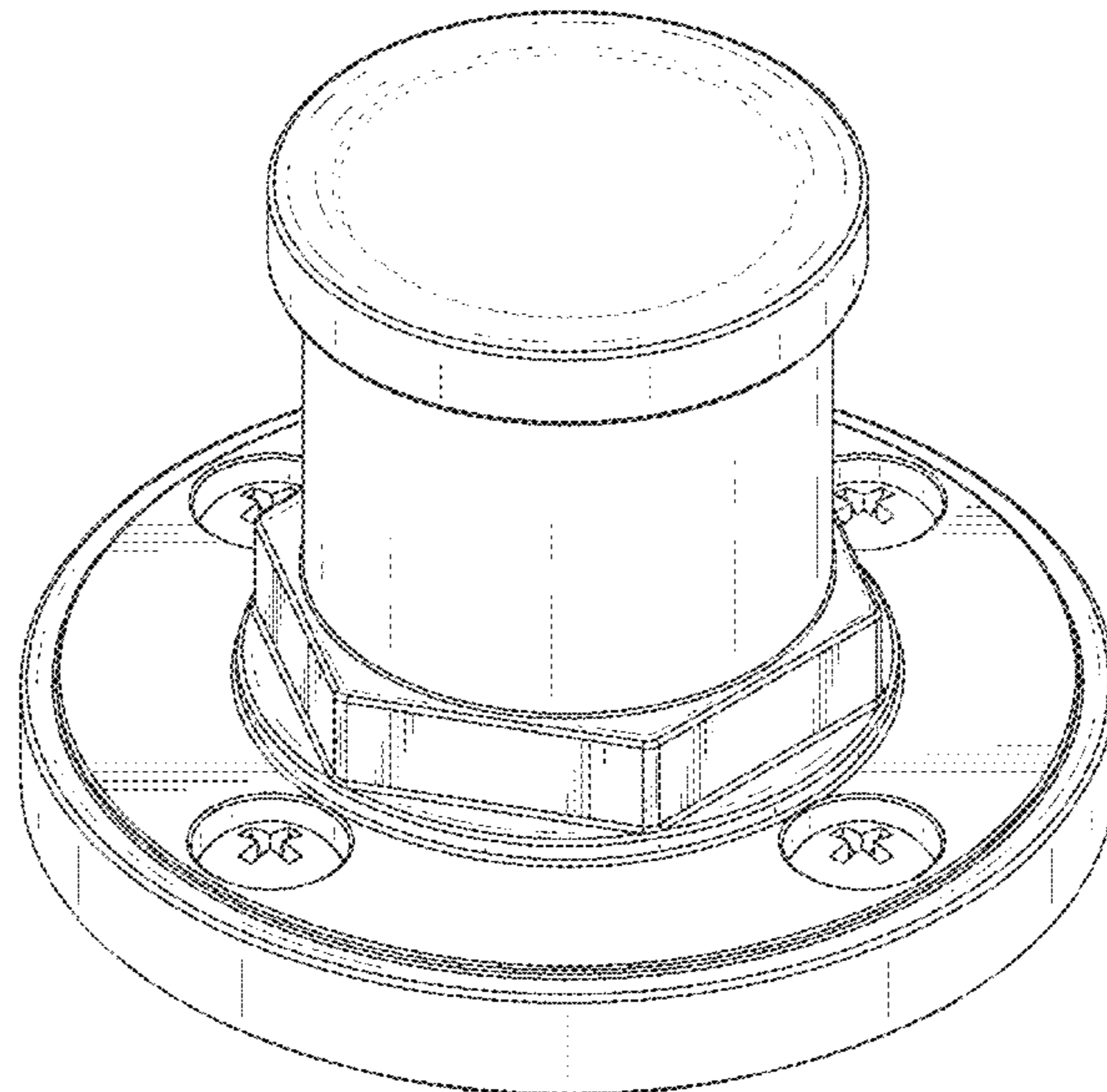
(57) **CLAIM**

The ornamental design for an industrial hex nut shower
curtain rod end cap, as shown and described.

DESCRIPTION

FIG. 1 is a front perspective view of an industrial hex nut
shower curtain rod end cap, showing my new design;
FIG. 2 is a front view thereof;
FIG. 3 is a rear view thereof;
FIG. 4 is a left side view thereof;
FIG. 5 is a right side view thereof;
FIG. 6 is a top view thereof; and,
FIG. 7 is a bottom view thereof.
The broken lines in the drawings depict portions of the
industrial hex nut shower curtain rod end cap that form no
part of the claimed design.

1 Claim, 7 Drawing Sheets



(56)

References Cited

U.S. PATENT DOCUMENTS

D792,637 S * 7/2017 Godlewski D26/118
D815,516 S * 4/2018 Karmarkar D8/382
D823,101 S * 7/2018 Wassdahl D8/382
D836,755 S * 12/2018 Dale D23/259
D837,041 S * 1/2019 Barnes D8/382
D907,473 S * 1/2021 Bailey D8/382
D927,655 S * 8/2021 Coronado D23/269
D930,053 S * 9/2021 Suchman D15/122
D939,948 S * 1/2022 Cronje D8/399
D945,862 S * 3/2022 McClure F16B 37/043
D8/354
2005/0169726 A1 * 8/2005 McClure F16B 37/043
411/55
2014/0327239 A1 * 11/2014 Stanley F16L 58/187
285/422
2022/0053959 A1 * 2/2022 Cooler E06B 9/24

OTHER PUBLICATIONS

Briofox Industrial Shower Curtain Rod, Date Visited: Sep. 6, 2022,
Amazon, Date Available: Mar. 12, 2022, [https://www.amazon.com/
BRIOFOX-Industrial-Shower-Curtain-Rod/dp/B09LQ78QVY](https://www.amazon.com/BRIOFOX-Industrial-Shower-Curtain-Rod/dp/B09LQ78QVY) (Year:
2022).*

* cited by examiner

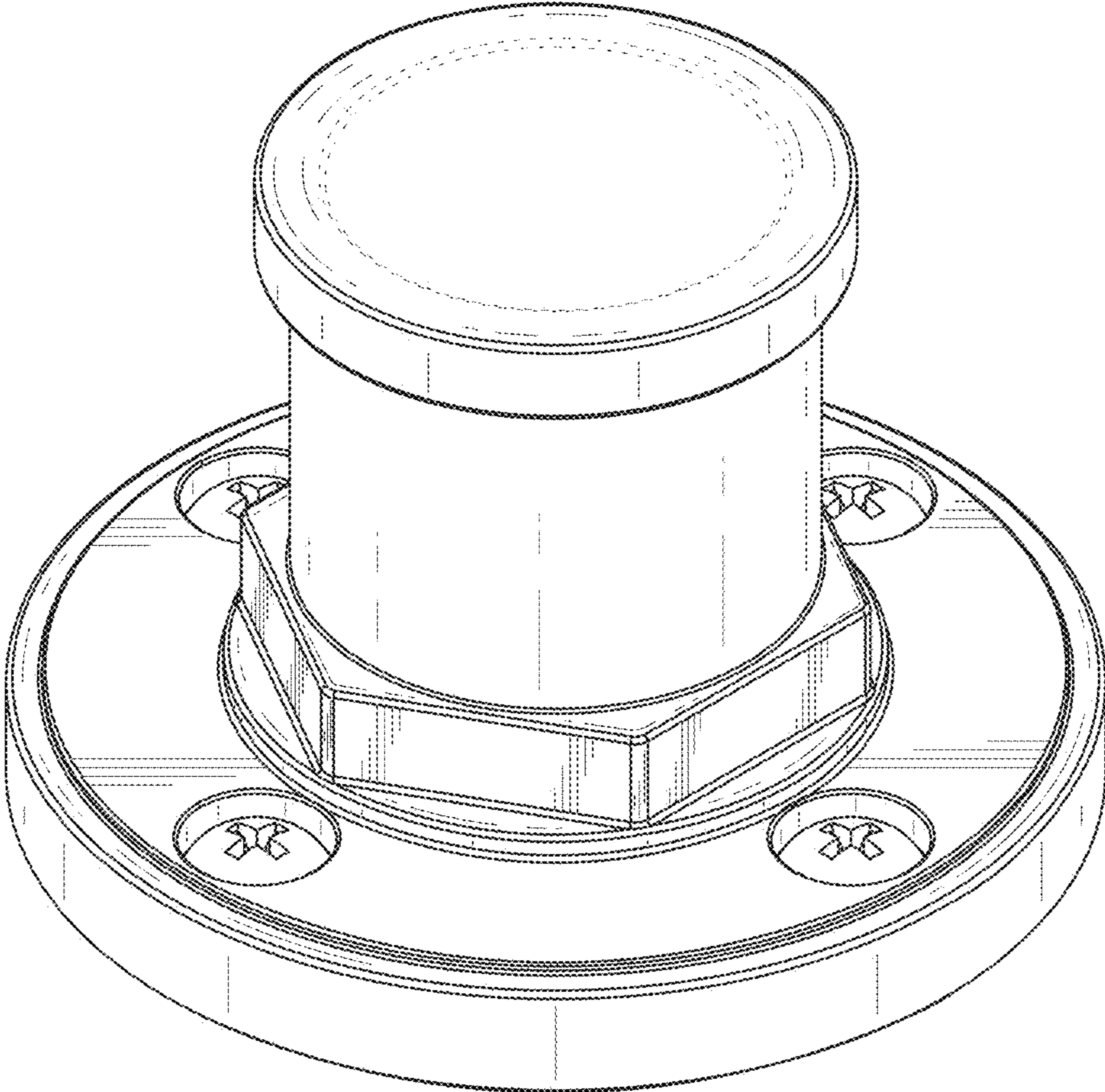


FIG. 1

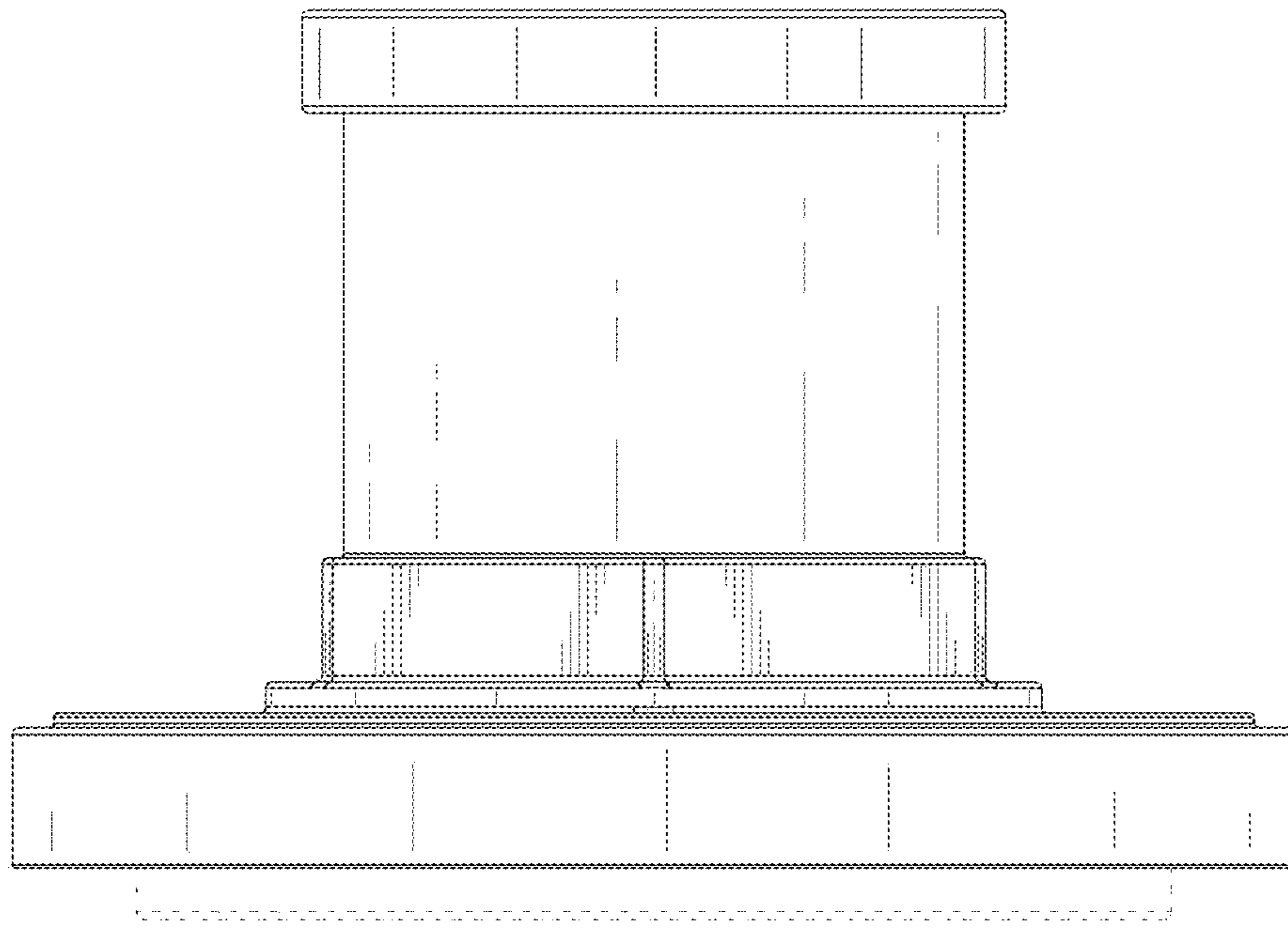


FIG. 2

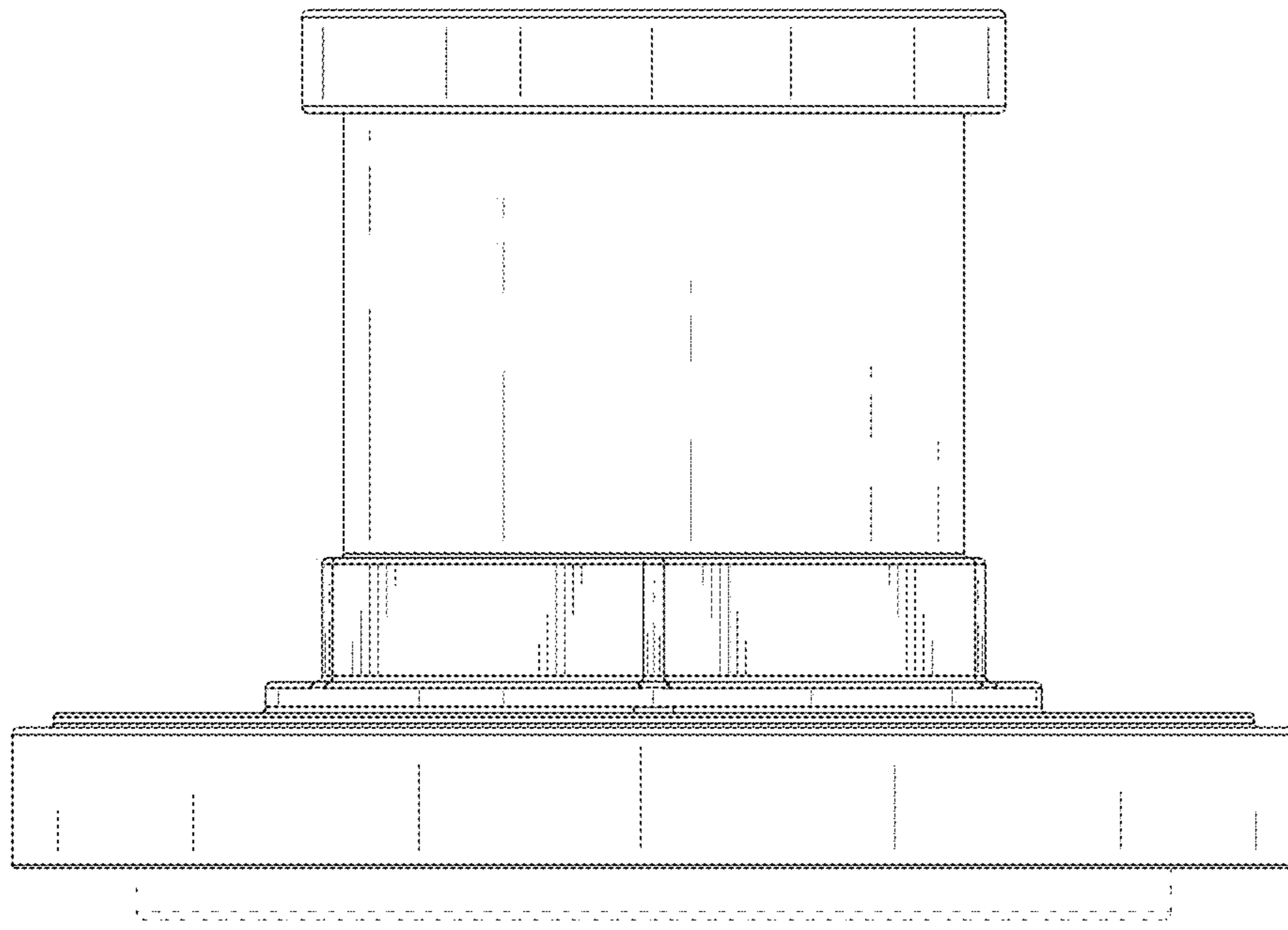


FIG. 3

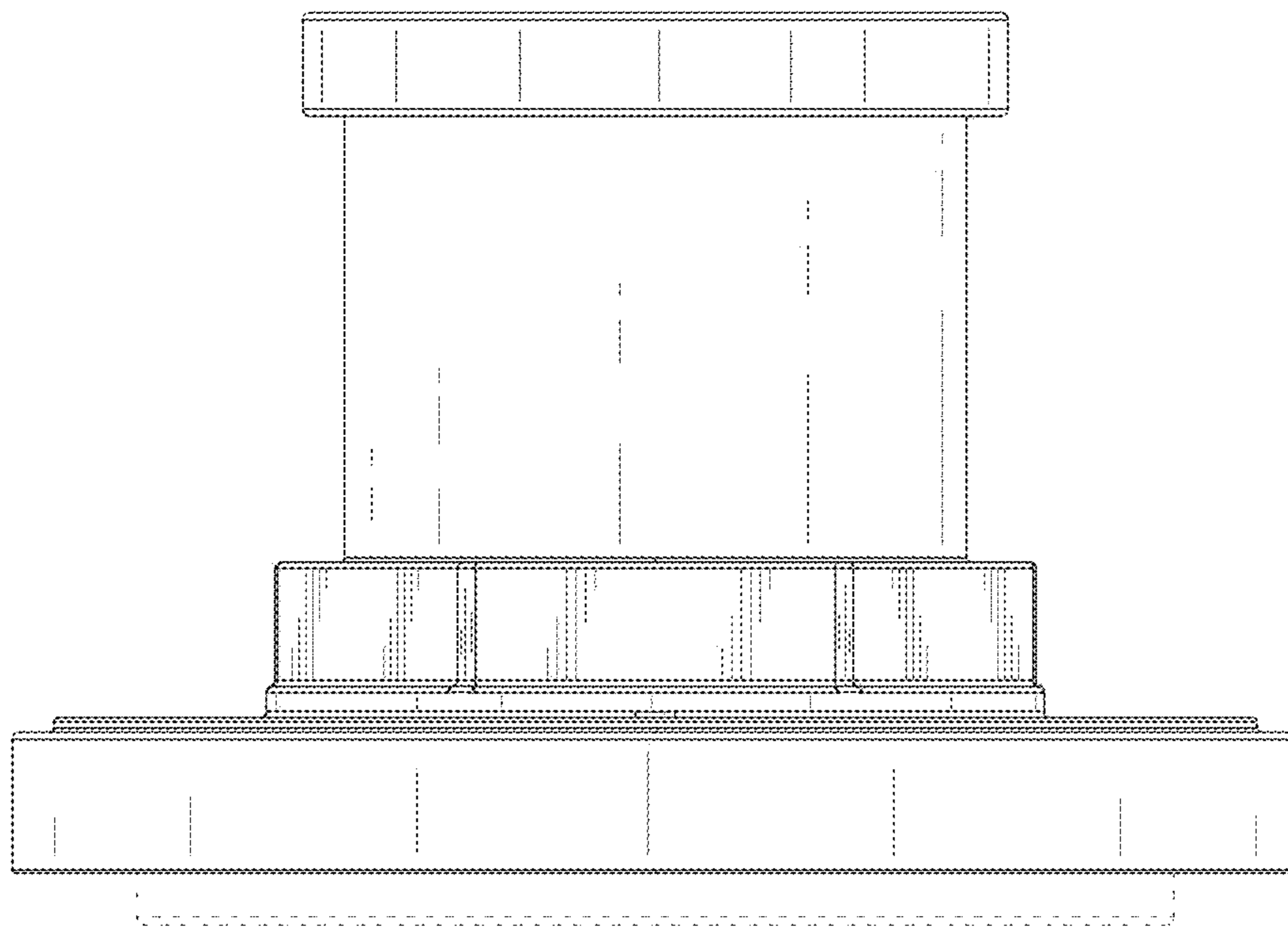


FIG. 4

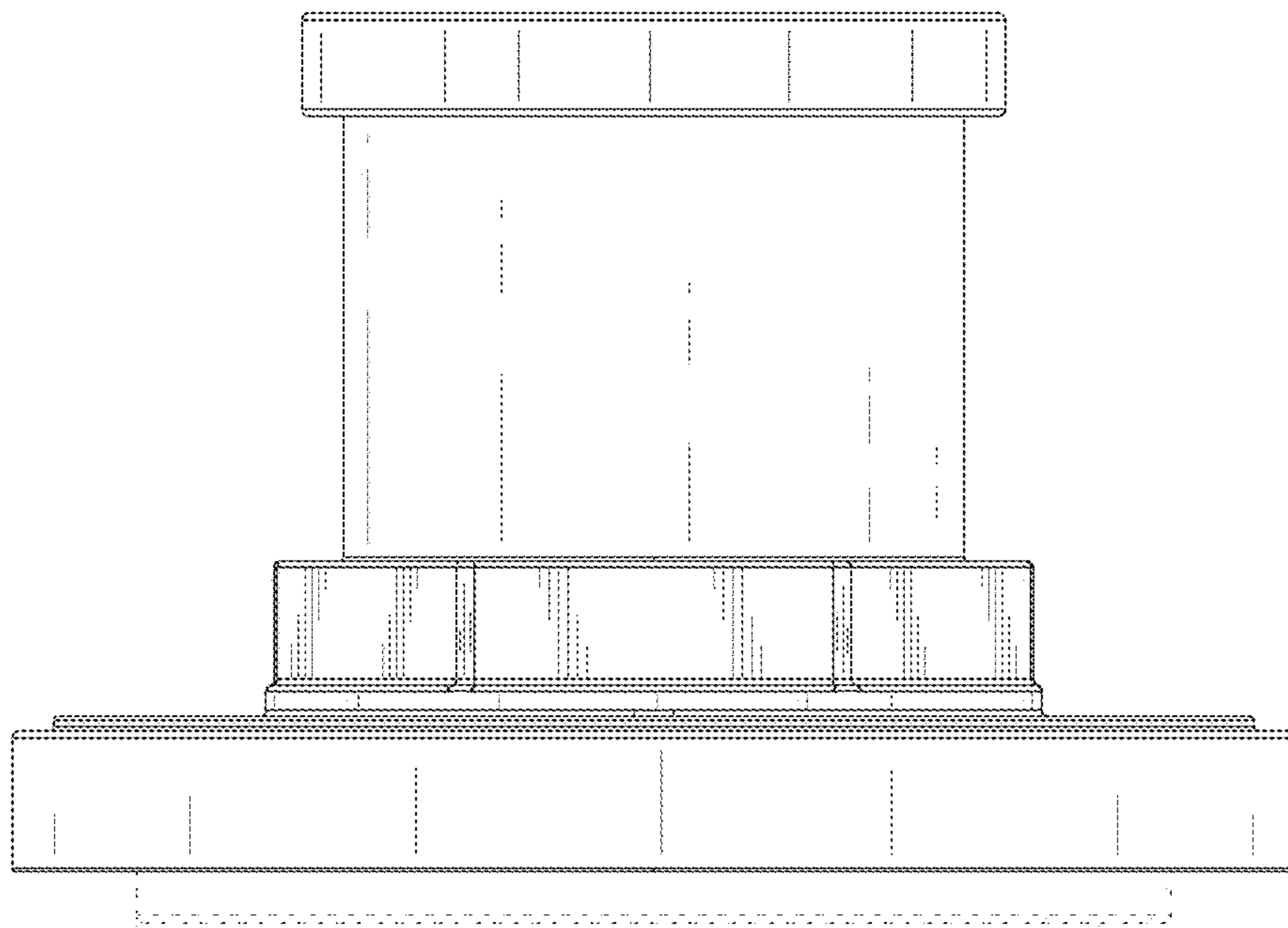


FIG. 5

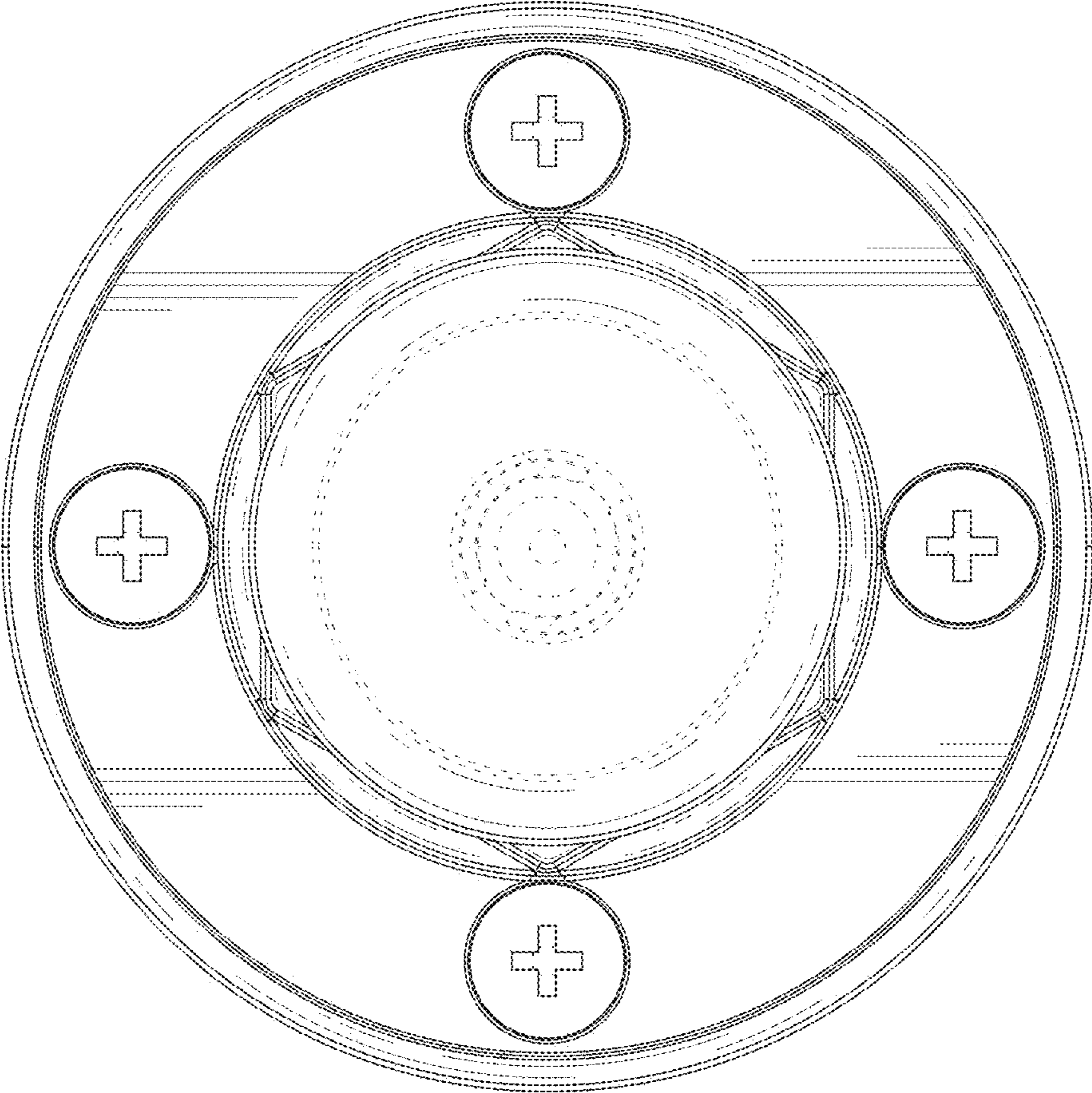


FIG. 6

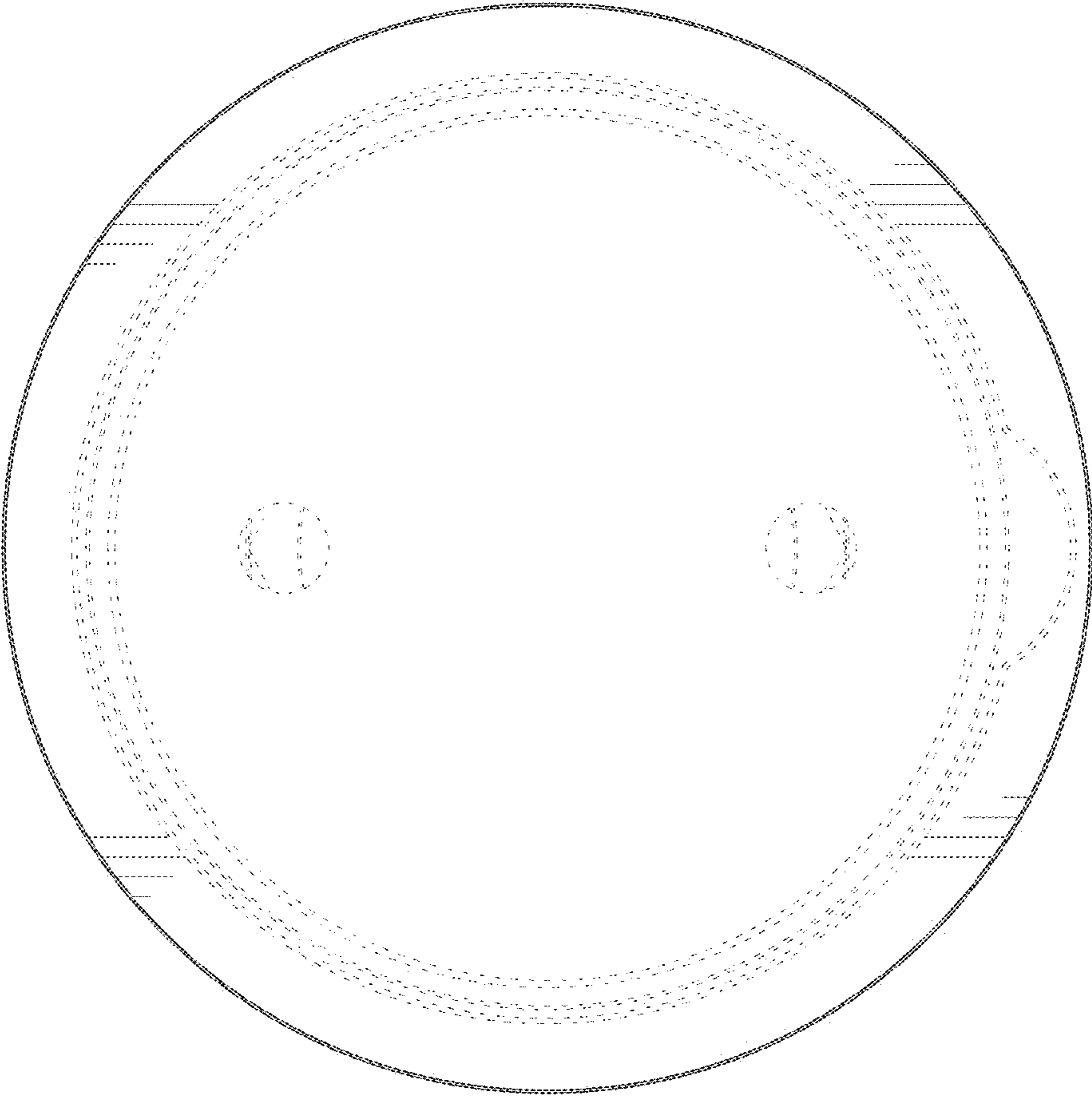


FIG. 7