



US00D986724S

(12) **United States Design Patent** (10) **Patent No.:** **US D986,724 S**
Phillippe et al. (45) **Date of Patent:** **** May 23, 2023**

- (54) **ARTICLE HANGER**
- (71) Applicants: **Kyle Phillippe**, Ventura, CA (US);
Gabriel Gomez, Ventura, CA (US)
- (72) Inventors: **Kyle Phillippe**, Ventura, CA (US);
Gabriel Gomez, Ventura, CA (US)
- (**) Term: **15 Years**
- (21) Appl. No.: **29/799,957**
- (22) Filed: **Jul. 19, 2021**
- (51) **LOC (14) Cl.** **08-11**
- (52) **U.S. Cl.**
USPC **D8/373**
- (58) **Field of Classification Search**
USPC D8/370, 373, 375, 372, 374; D6/315,
D6/317, 318; D19/65, 34, 75, 86, 90, 91,
D19/99, 100
CPC A61M 5/1418; F16B 45/00; A47C 7/62;
A47C 7/006; E05B 85/10; E05B 13/002;
E05B 1/0015; E05B 85/12; E05B
15/0086; E05B 77/26511; A47B 91/12;
B60T 3/00; A47F 1/065; G10C 3/16;
Y10T 16/216
See application file for complete search history.

D625,654 S *	10/2010	Spater	D11/210
D639,139 S *	6/2011	Misner	D8/343
D680,902 S *	4/2013	Chan	D11/218
D683,262 S *	5/2013	Fitzpatrick	D11/218
D701,749 S *	4/2014	Walchle	D8/356
D707,529 S *	6/2014	Fretz	D8/333
D708,042 S *	7/2014	Moreau	D8/339
D732,377 S *	6/2015	Miszewski	D8/356
D748,013 S *	1/2016	Spater	D11/218
D757,518 S *	5/2016	Najarro	D8/339
D796,299 S *	9/2017	Idzkowski	D8/343
D886,669 S *	6/2020	Spater	D8/19
D953,845 S *	6/2022	Schmidt	D8/356

* cited by examiner

Primary Examiner — Eliza Z Harvey
Assistant Examiner — Kayla Marie Bennett
(74) *Attorney, Agent, or Firm* — Christopher Mayle; Bold IP PLLC

(57) **CLAIM**

The ornamental design for an article hanger, as shown.

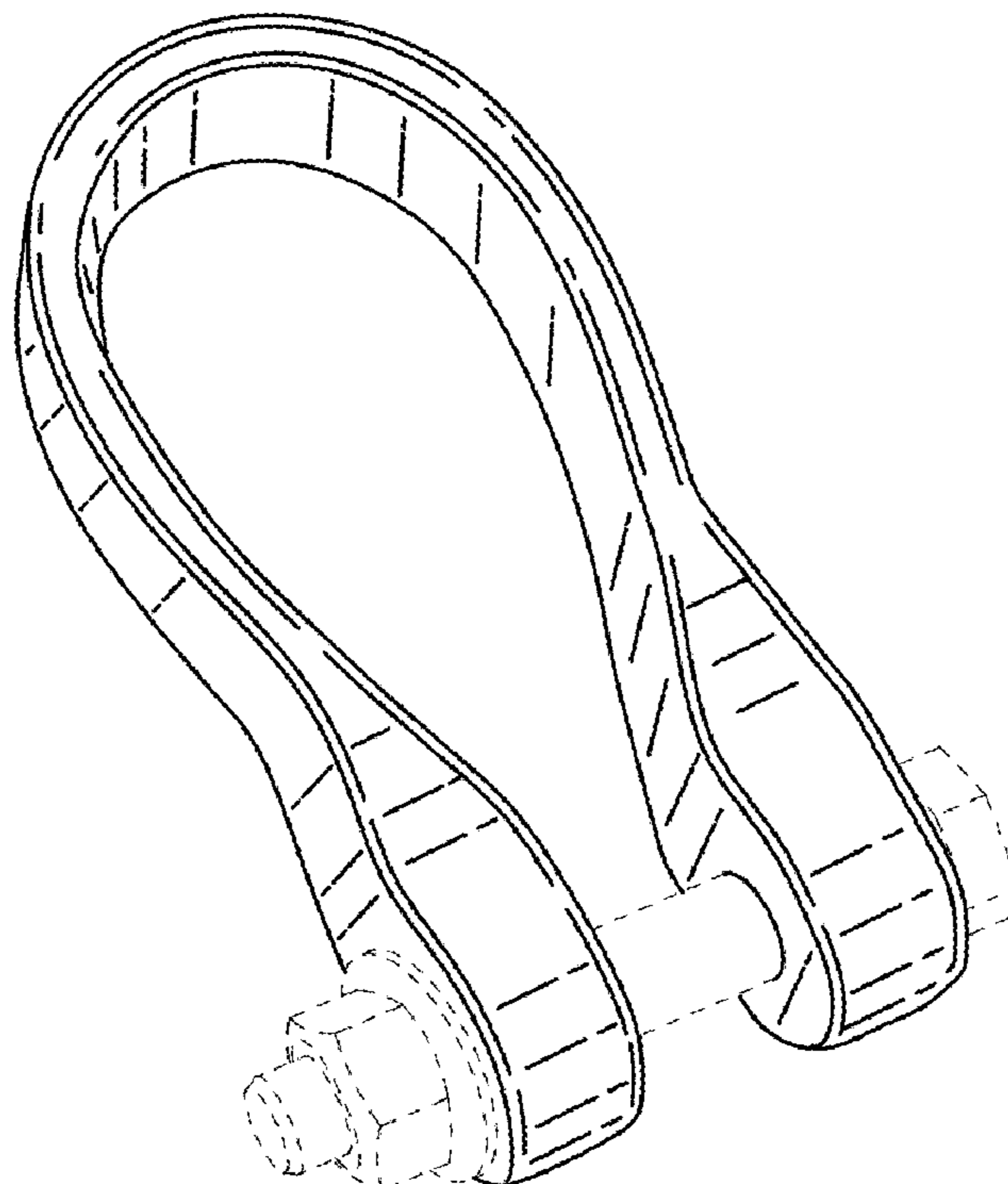
DESCRIPTION

FIG. 1 is a front perspective view of an article hanger in accordance with the present invention; FIG. 2 is a left side view thereof; FIG. 3 is a right side view thereof; FIG. 4 is a front side view thereof; FIG. 5 is a back side view thereof; FIG. 6 is a top side view thereof; and, FIG. 7 is a bottom side view thereof.

The broken lines in the drawings depict portions of the article hanger that form no part of the claimed design.

1 Claim, 3 Drawing Sheets

- (56) **References Cited**
U.S. PATENT DOCUMENTS
D177,348 S * 4/1956 Reich D8/372
D433,617 S * 11/2000 Gray, Jr. D8/356
D489,600 S * 5/2004 Pontaoe D8/367
D540,155 S * 4/2007 Czerewko D8/367



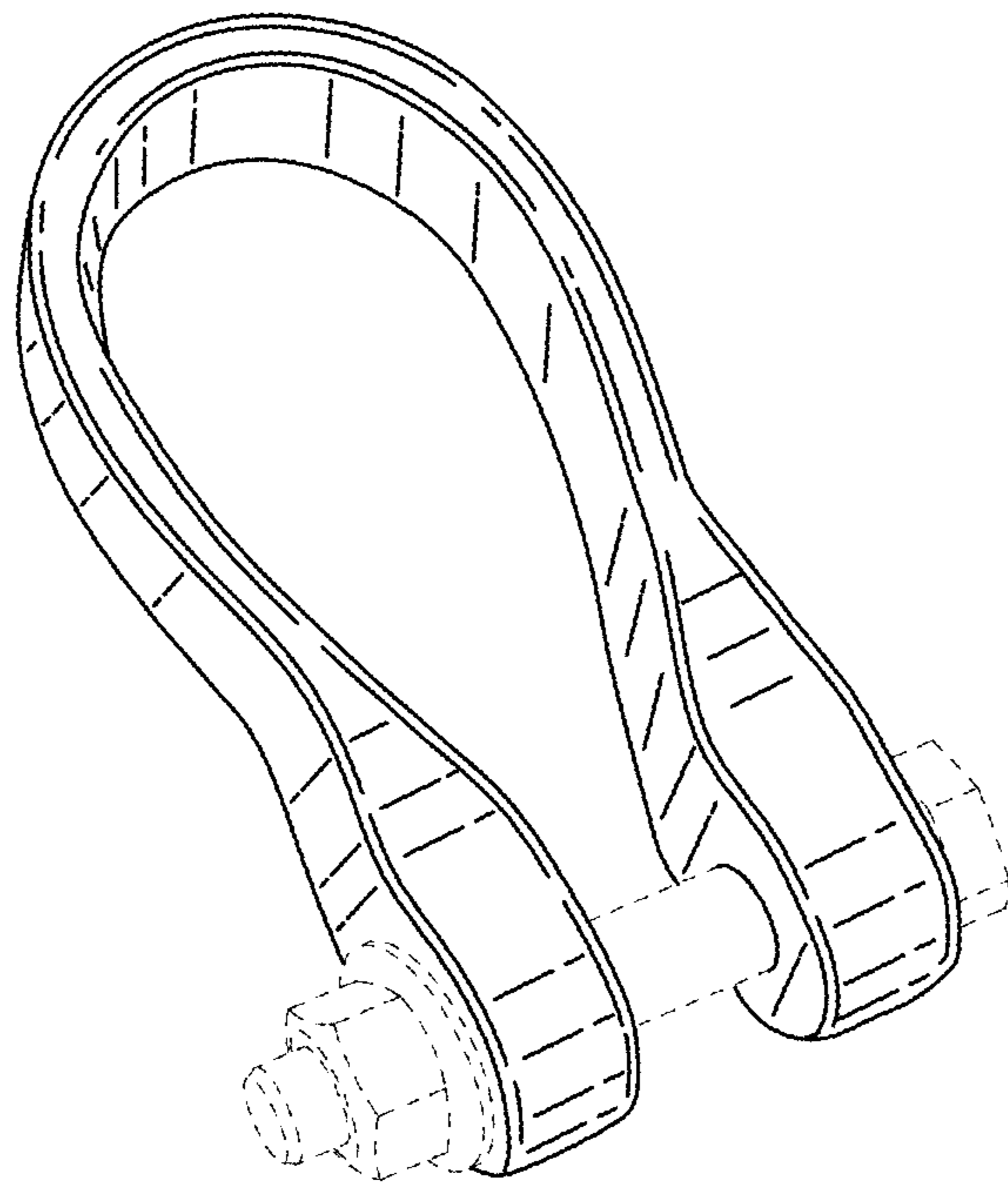


FIG. 1

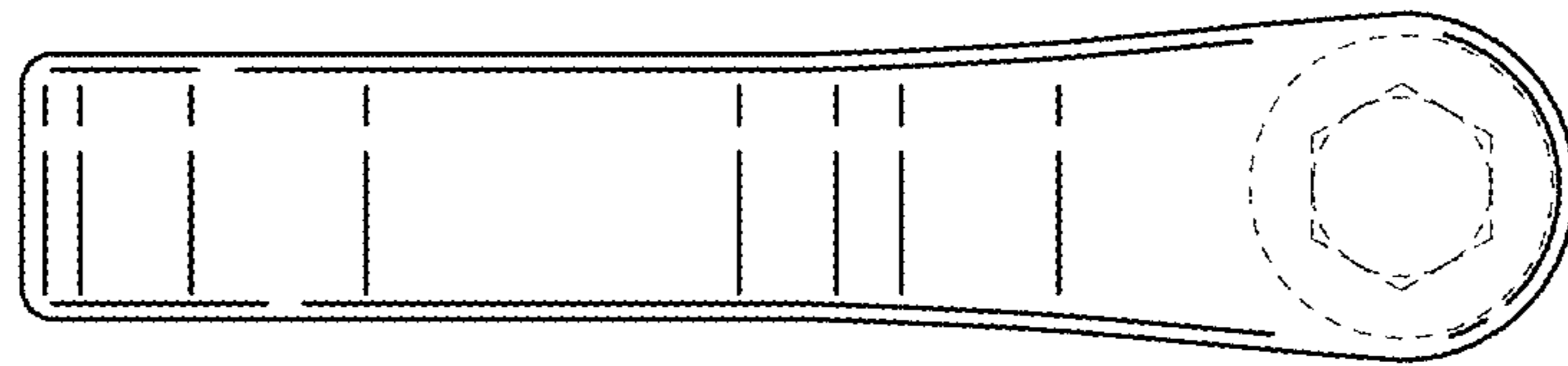


FIG. 2

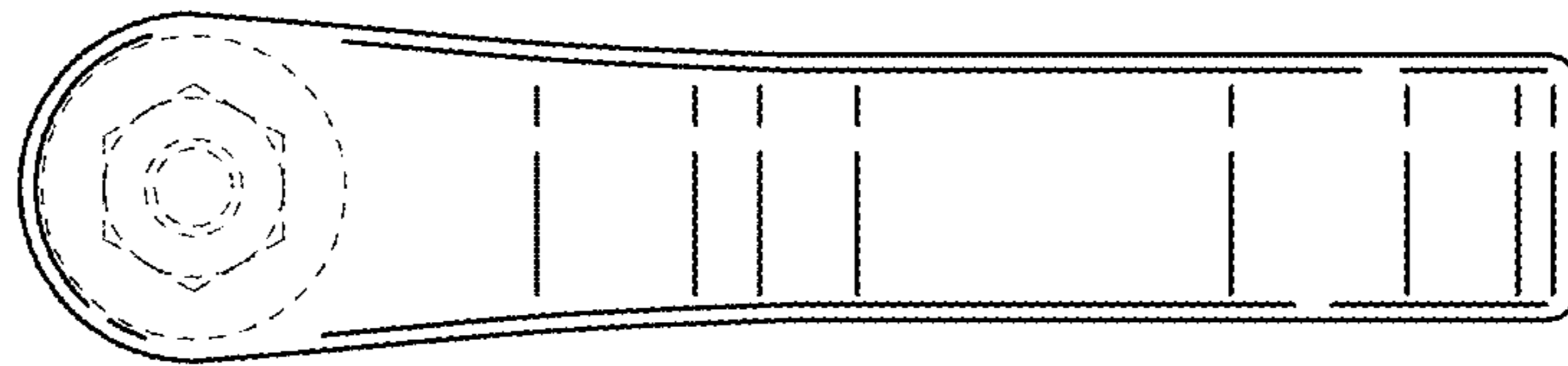


FIG. 3

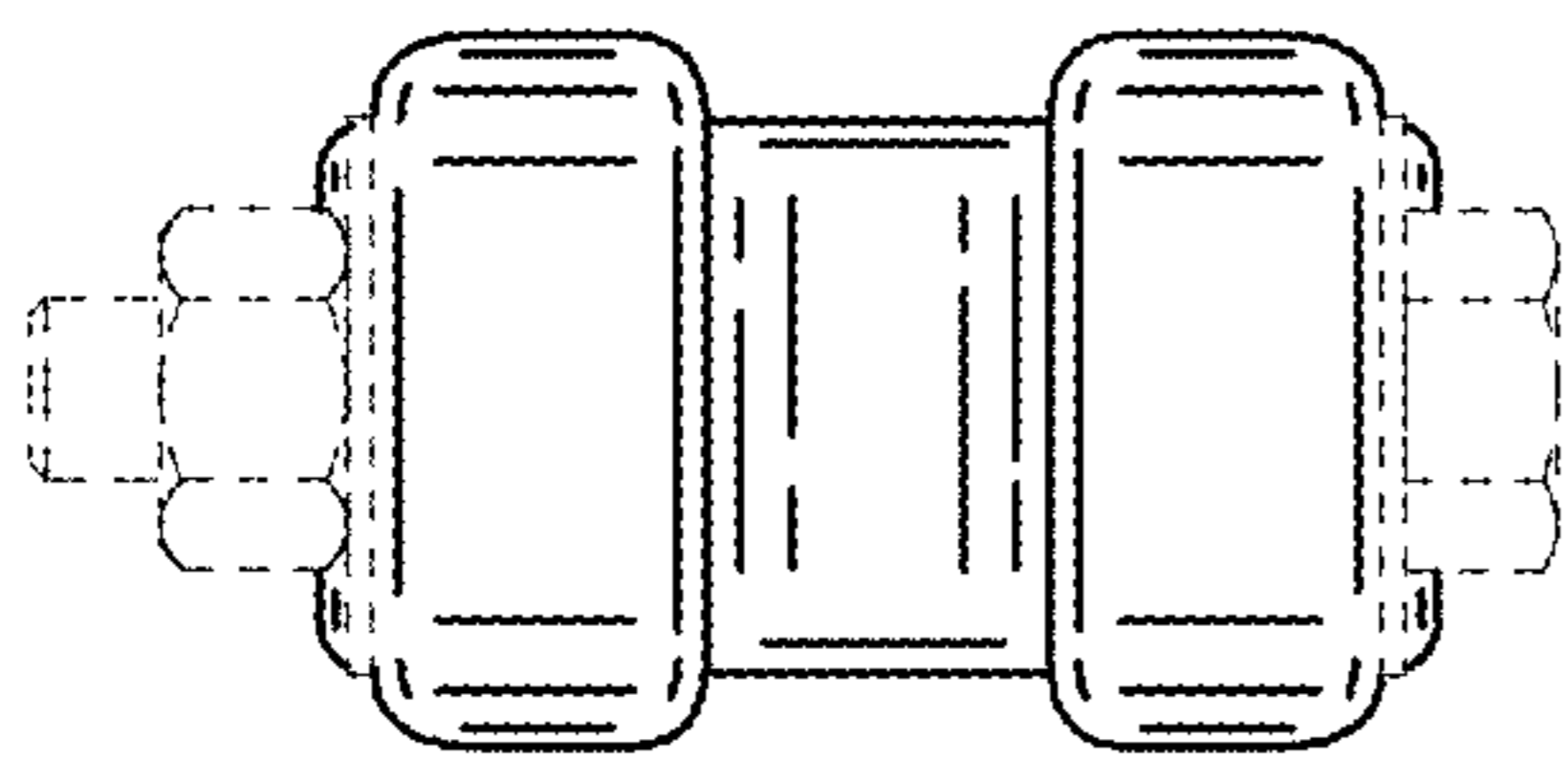


FIG. 4

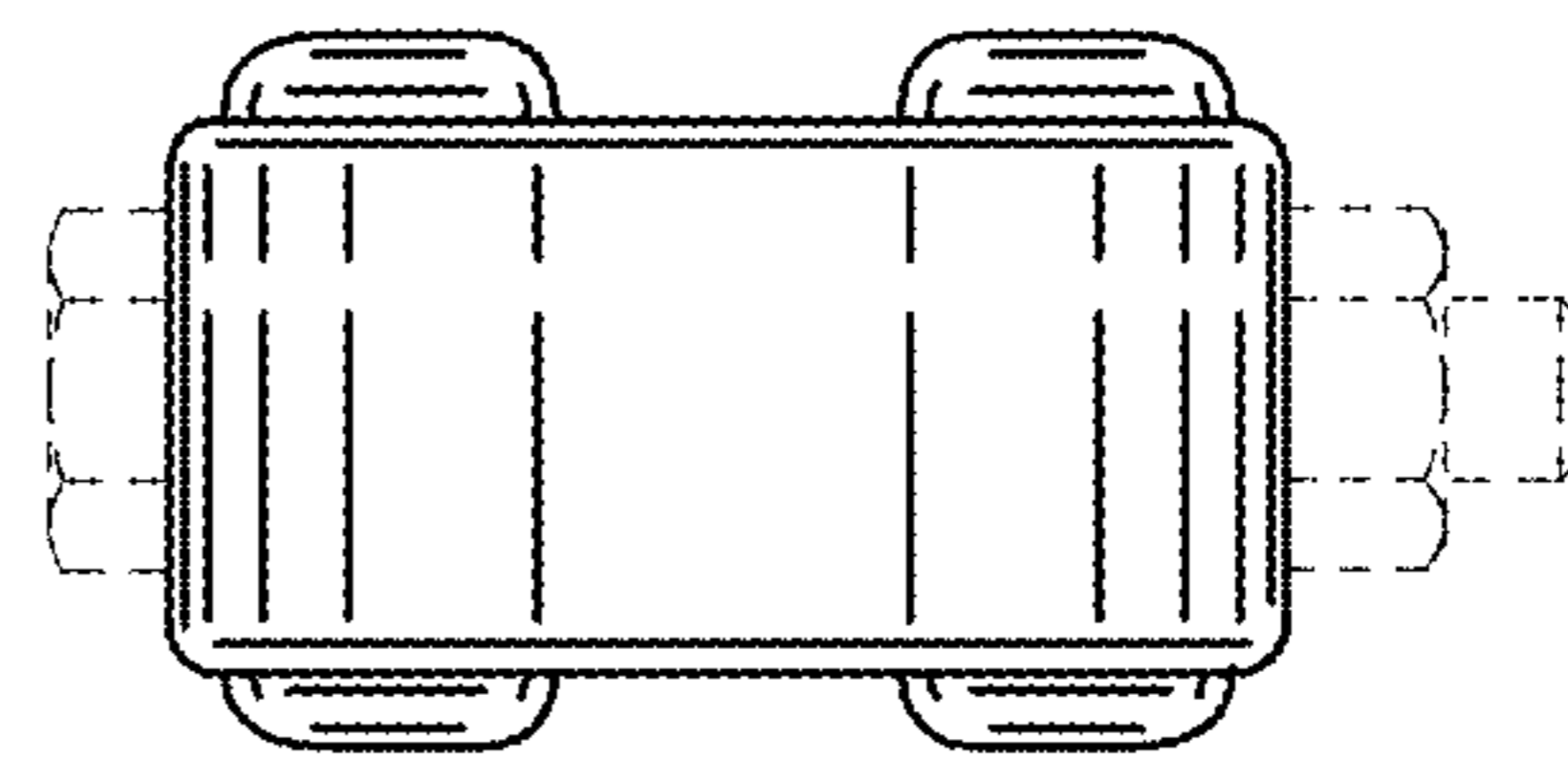


FIG. 5

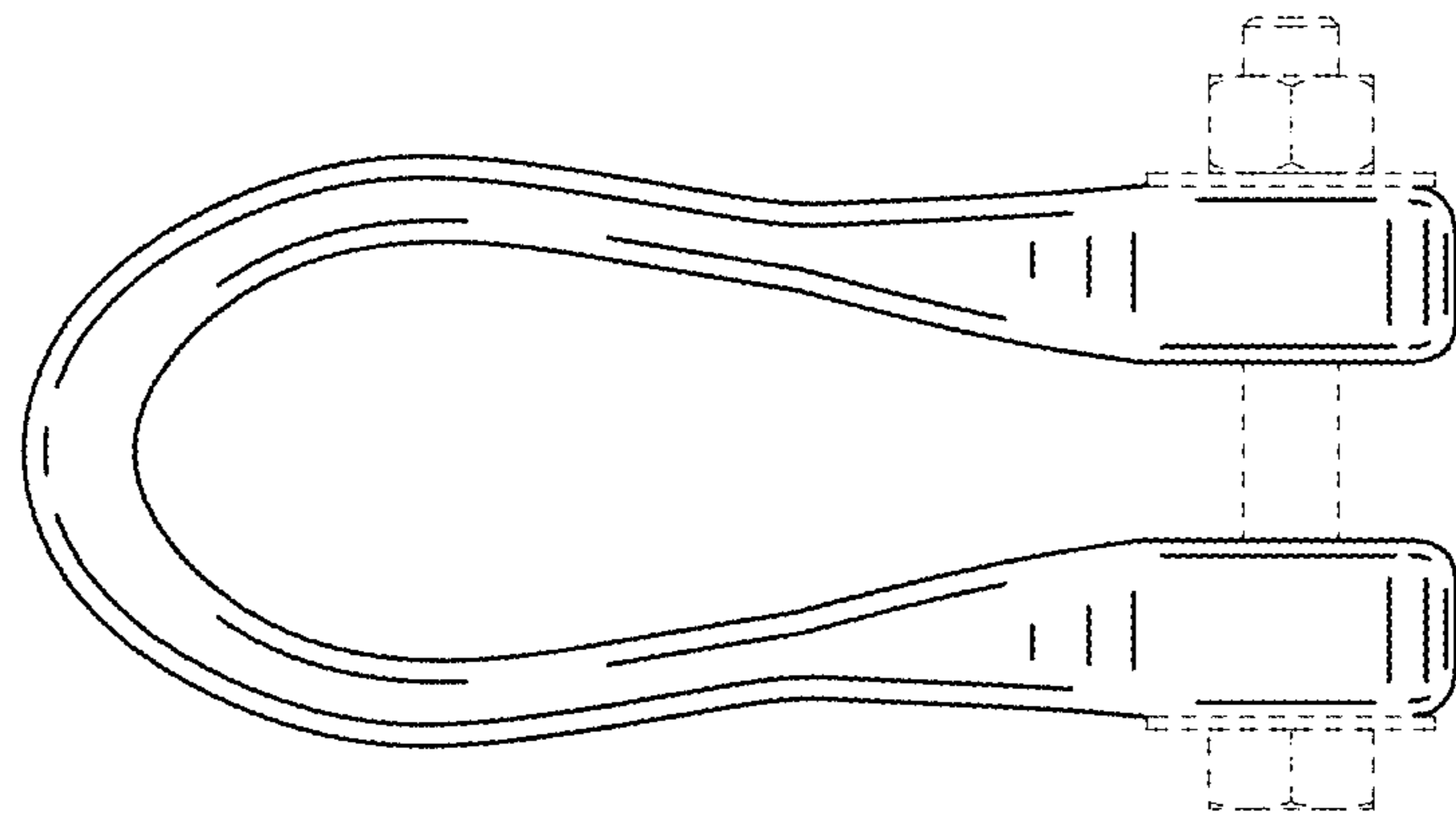


FIG. 6

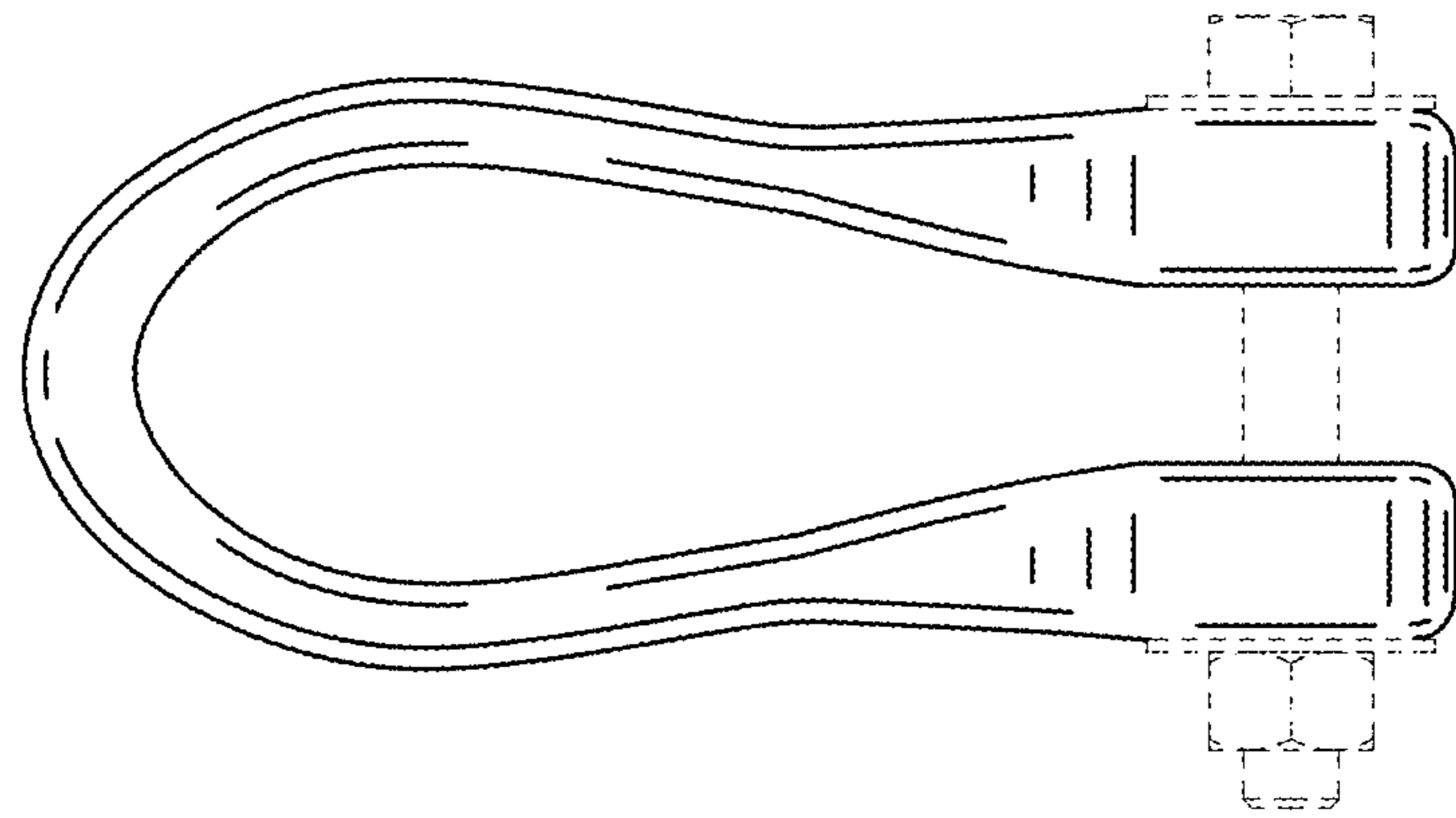


FIG. 7