



US00D986722S

(12) **United States Design Patent** (10) **Patent No.:** **US D986,722 S**
Davis et al. (45) **Date of Patent:** **** May 23, 2023**

(54) **SUSPENSION ASSEMBLY**

(71) Applicant: **GRIPPLE LIMITED**, Sheffield (GB)

(72) Inventors: **Simon Davis**, Sheffield (GB); **Oliver Sunderland**, Sheffield (GB)

(73) Assignee: **GRIPPLE LIMITED**

(**) Term: **15 Years**

(21) Appl. No.: **29/754,933**

(22) Filed: **Oct. 15, 2020**

(30) **Foreign Application Priority Data**

- Apr. 16, 2020 (EM) 007809983-0001
- Apr. 16, 2020 (EM) 007809983-0002
- Apr. 16, 2020 (EM) 007809983-0003
- Apr. 16, 2020 (EM) 007809983-0004
- Apr. 16, 2020 (EM) 007809983-0005
- Apr. 16, 2020 (EM) 007809983-0006
- Apr. 16, 2020 (EM) 007809983-0007
- Apr. 16, 2020 (EM) 007809983-0008

(51) **LOC (14) Cl.** **08-11**

(52) **U.S. Cl.**
USPC **D8/373**

(58) **Field of Classification Search**
 USPC D6/566; D8/349, 350, 352, 354, 355,
 D8/366, 373, 377; D12/406, 412;
 D21/694; D25/107, 108, 109, 119, 120,
 D25/121, 122, 123, 124, 125, 127, 134,
 D25/152, 156
 CPC .. F16C 2314/72; F16C 29/0623; F16C 29/06;
 F16C 29/0609; F16C 29/005; F16C
 29/008; F16C 29/04; F16C 29/0657;
 F16C 29/004; F16C 29/12; A47B 1/10;
 A47B 88/493; A47B 88/423; A47B
 2088/4235; B44C 5/02

See application file for complete search history.

(56) **References Cited**

U.S. PATENT DOCUMENTS

4,029,282	A *	6/1977	Dauth	A47F 5/0807 248/220.42
D387,973	S *	12/1997	Layman	D8/377
D390,775	S *	2/1998	DePietro	D8/373
7,621,494	B2 *	11/2009	Rees	H05K 7/183 248/318
D869,262	S *	12/2019	Davis	D8/349
D892,599	S *	8/2020	Witherbee	D8/354
10,914,333	B2 *	2/2021	Davis	F16L 3/22
D943,393	S *	2/2022	McVey	D8/354
11,396,959	B2 *	7/2022	Reynolds	H02G 3/263
2005/0109586	A1 *	5/2005	Schoendienst	B65G 17/22 198/801
2011/0290948	A1 *	12/2011	Benne	F16L 3/11 248/58
2019/0376544	A1 *	12/2019	Davis	F16L 3/222
2022/0282804	A1 *	9/2022	Davis	H02G 3/30

* cited by examiner

Primary Examiner — David G Muller

Assistant Examiner — Christina Gabrielle Cosden

(74) *Attorney, Agent, or Firm* — James R. Foley; Clark Hill PLC

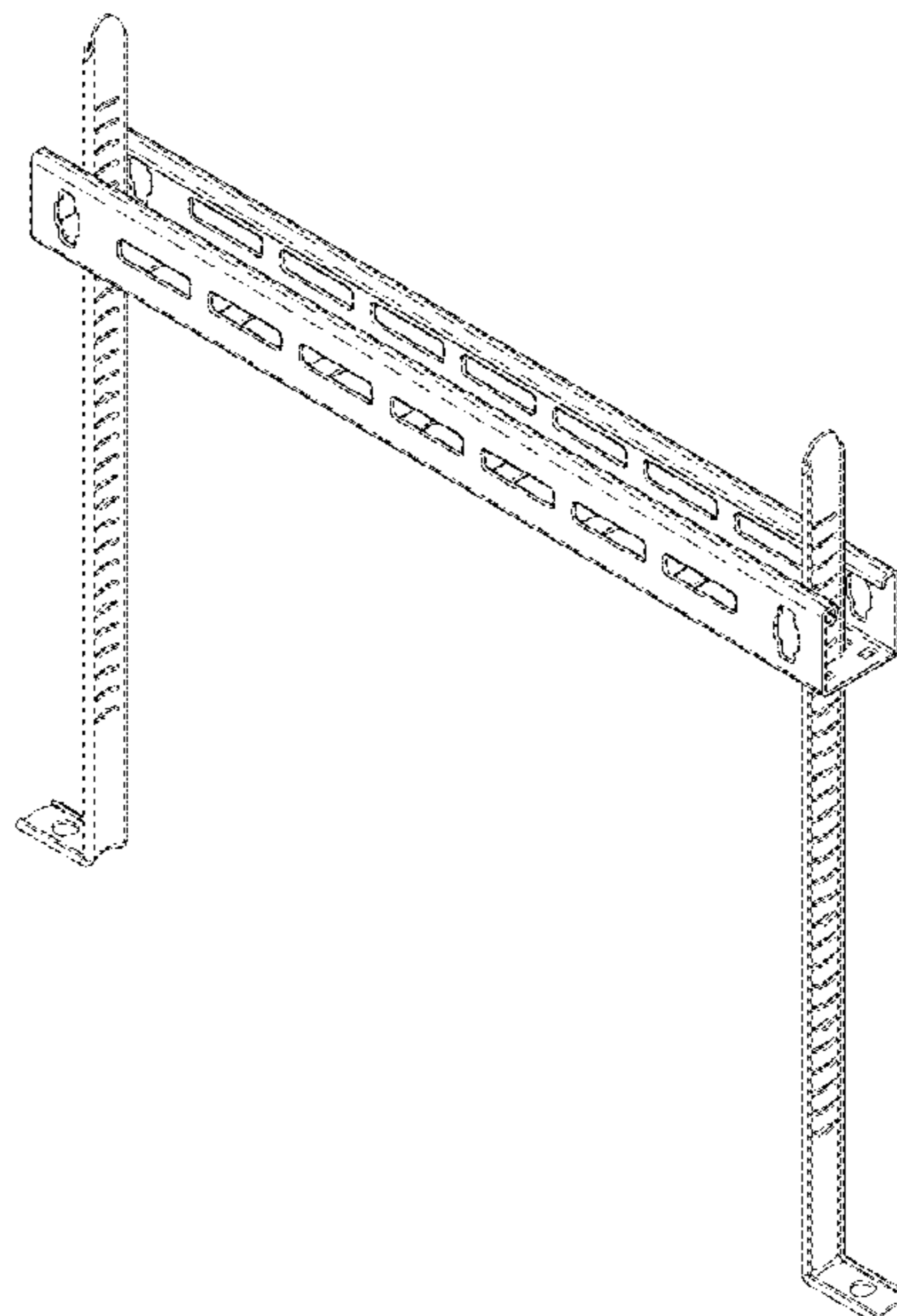
(57) **CLAIM**

The ornamental design for a suspension assembly, as shown and described.

DESCRIPTION

FIG. 1 is a back view of the suspension assembly;
 FIG. 2 is a bottom view thereof;
 FIG. 3 is a front view thereof;
 FIG. 4 is a left side view thereof;
 FIG. 5 is an underside perspective view thereof;
 FIG. 6 is a top perspective view thereof;
 FIG. 7 is a right side view thereof; and,
 FIG. 8 is a top view thereof.

1 Claim, 8 Drawing Sheets



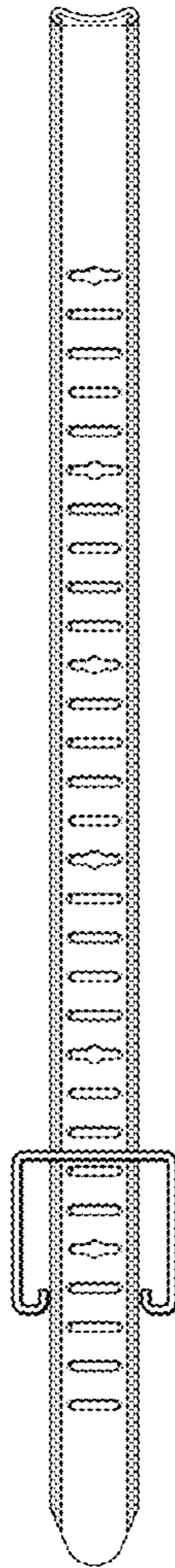


FIG. 1

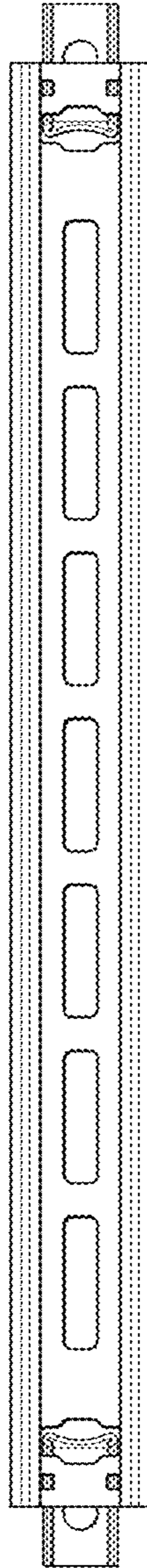


FIG. 2

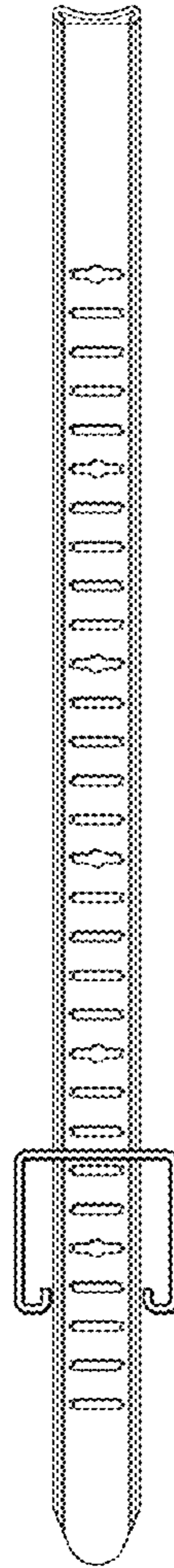


FIG. 3

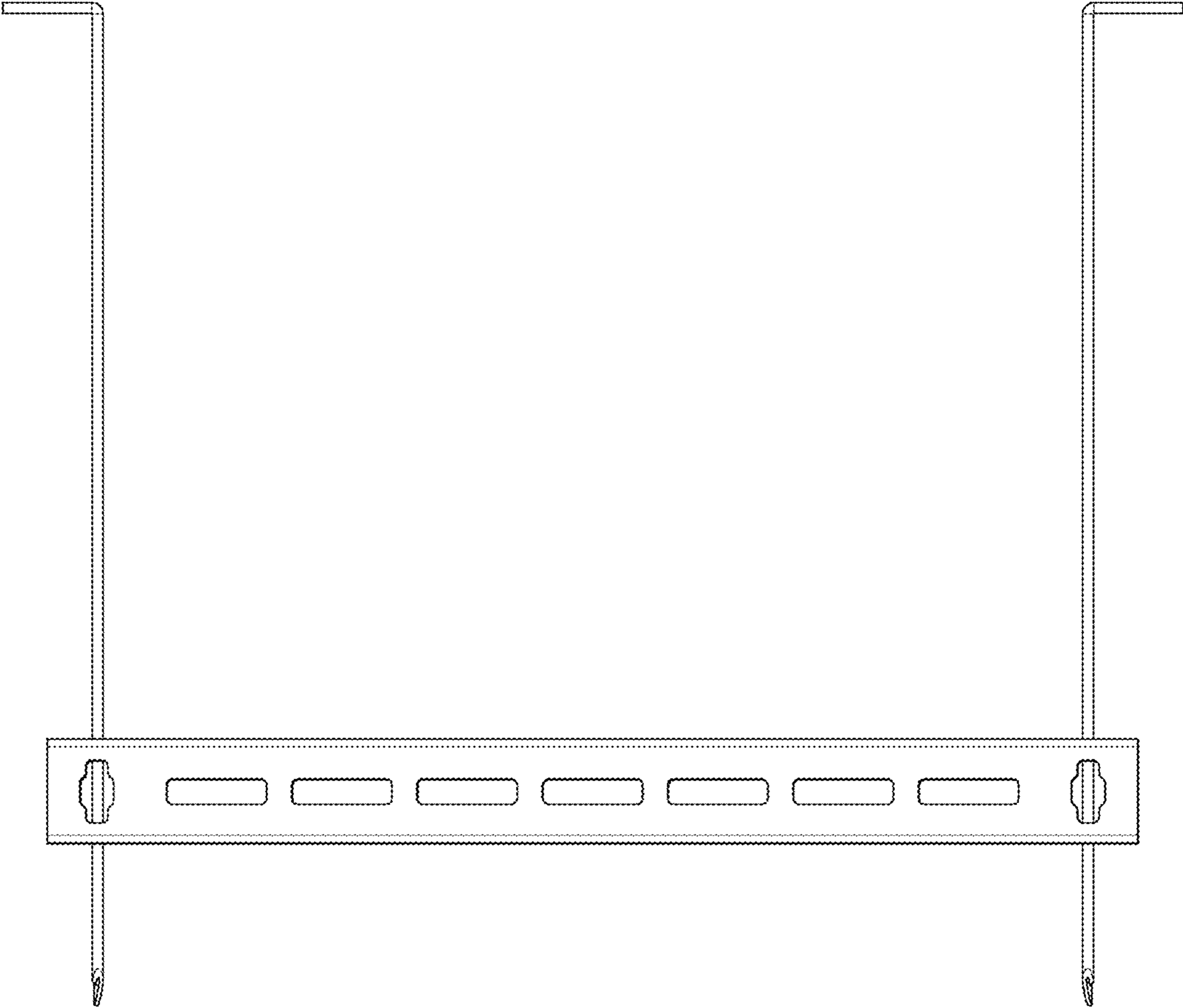


FIG. 4

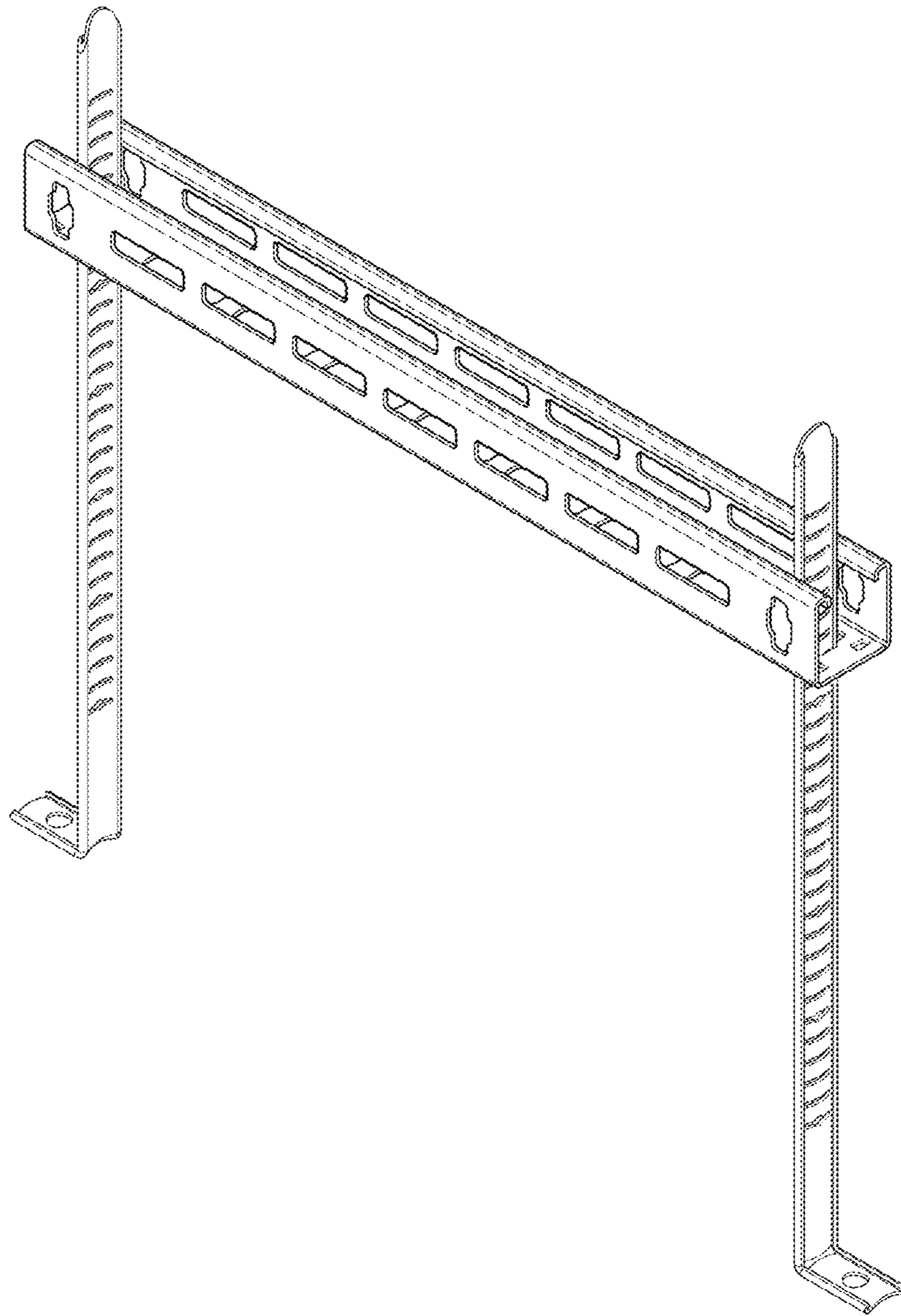


FIG. 5

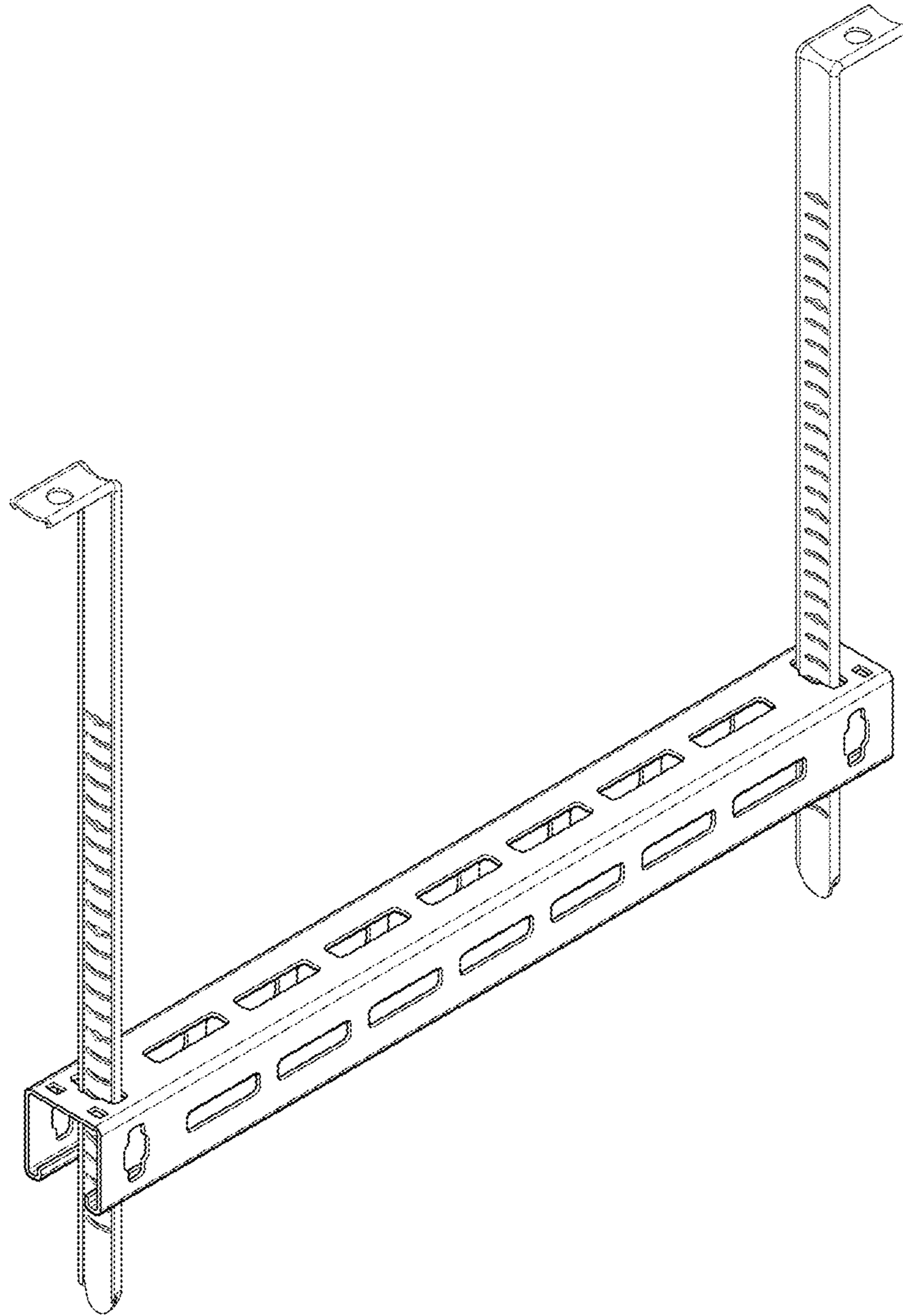


FIG. 6

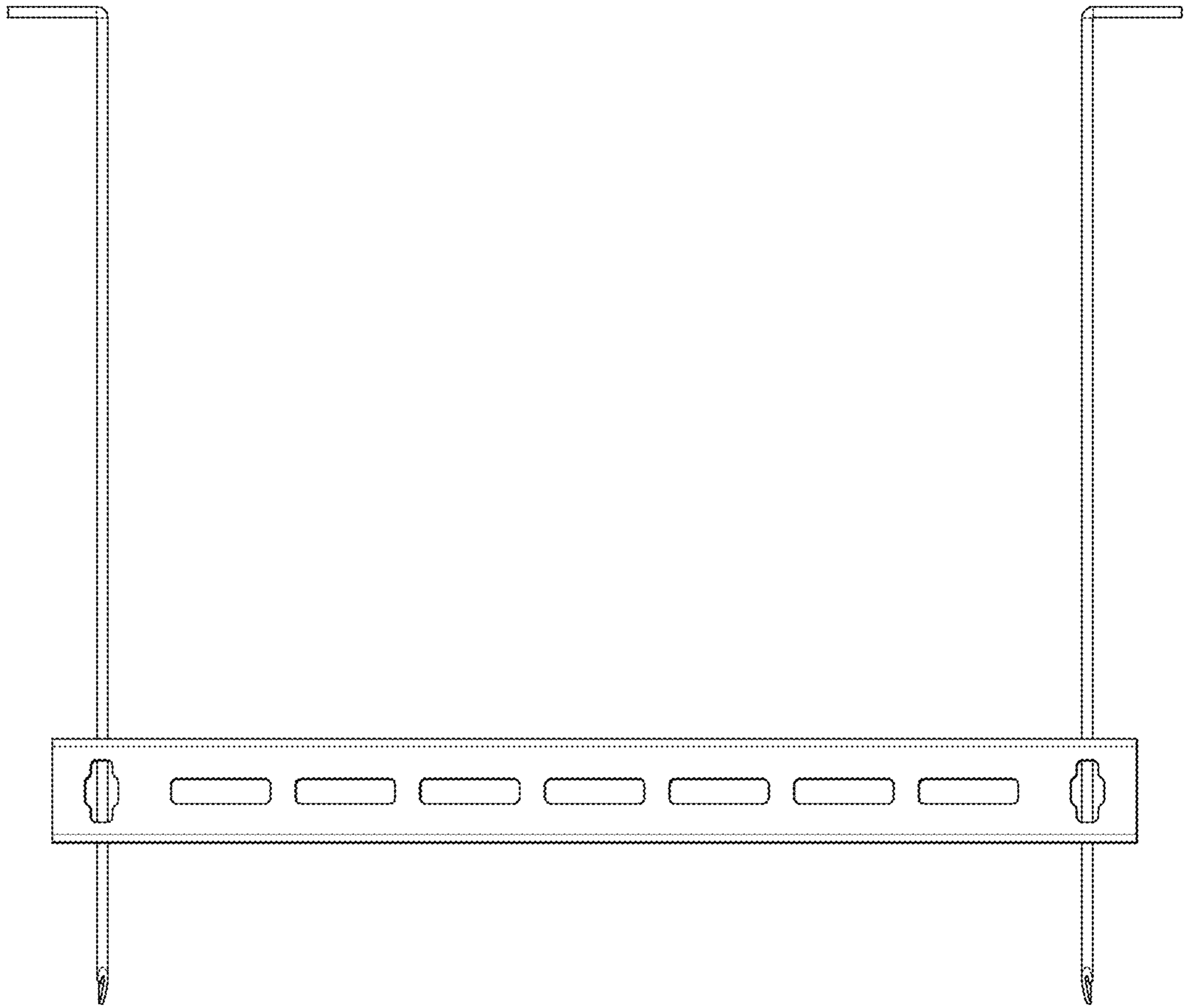


FIG. 7

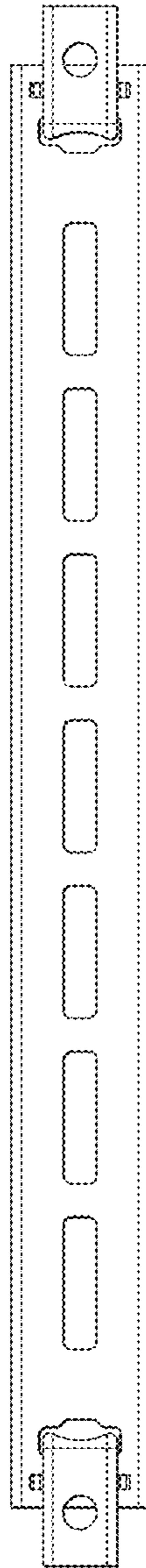


FIG. 8