

US00D986720S

(12) **United States Design Patent** (10) **Patent No.:** **US D986,720 S**  
**Deng** (45) **Date of Patent:** **\*\* May 23, 2023**

(54) **HOOK**  
(71) Applicant: **Xin Deng**, Chongqing (CN)  
(72) Inventor: **Xin Deng**, Chongqing (CN)  
(\*\*) Term: **15 Years**  
(21) Appl. No.: **29/887,609**  
(22) Filed: **Mar. 22, 2023**  
(51) **LOC (14) Cl.** ..... **08-05**  
(52) **U.S. Cl.**  
USPC ..... **D8/367**  
(58) **Field of Classification Search**  
USPC ..... D8/349, 354, 367, 372; D6/323  
CPC .. A47G 1/17; A47G 25/0607; A47G 25/0635;  
A47G 29/08; A47G 23/0225; A47G  
7/044; Y10T 24/4755; Y10T 428/21;  
Y10T 24/3484; Y10T 24/45115; Y10T  
24/4523; Y10T 24/45969  
See application file for complete search history.

D449,977 S \* 11/2001 Dembowiak ..... D8/367  
D591,142 S \* 4/2009 Cittadino ..... D8/367  
D603,246 S \* 11/2009 Snell ..... D8/367  
D953,150 S \* 5/2022 Luo ..... D8/367  
D976,086 S \* 1/2023 Jiang ..... D8/367  
D980,701 S 3/2023 Fu  
D981,827 \* 3/2023 Guo ..... D8/367  
2008/0272257 A1 \* 11/2008 Murphy ..... A47G 1/20  
248/304  
2012/0145847 A1 \* 6/2012 Wang ..... A47G 1/17  
248/205.3  
2021/0369018 A1 \* 12/2021 Yeh ..... A47G 1/164  
2022/0304491 A1 \* 9/2022 Park ..... A47G 1/164

\* cited by examiner

*Primary Examiner* — Lauren R Calve

(74) *Attorney, Agent, or Firm* — Justin Lampel

(57) **CLAIM**

The ornamental design for a hook, as shown and described.

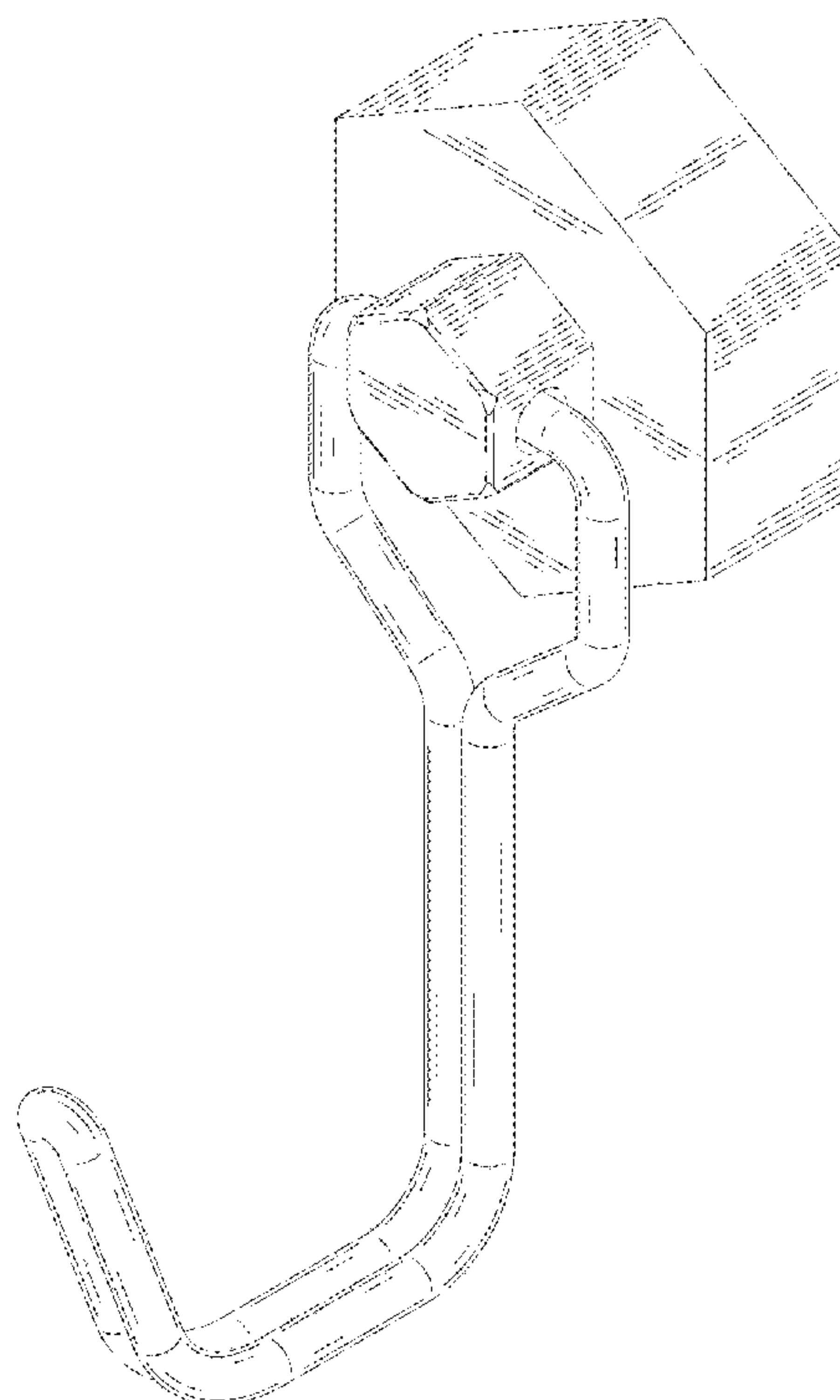
**DESCRIPTION**

FIG. 1 is a perspective view of a hook showing the claimed design;  
FIG. 2 is another perspective view of a hook showing the claimed design;  
FIG. 3 is a front elevational view thereof;  
FIG. 4 is a rear elevational view thereof;  
FIG. 5 is a left side view thereof;  
FIG. 6 is a right side view thereof;  
FIG. 7 is a top plan view thereof; and,  
FIG. 8 is a bottom plan view thereof.

**1 Claim, 8 Drawing Sheets**

(56) **References Cited**  
U.S. PATENT DOCUMENTS

1,989,329 A \* 1/1935 McDonald ..... A47G 25/0635  
D6/550  
2,679,998 A \* 6/1954 Keller ..... F16B 47/003  
D8/367  
3,433,449 A \* 3/1969 Musante ..... A47G 1/20  
248/304  
5,730,413 A \* 3/1998 Chen ..... A47G 25/0635  
248/303  
5,967,476 A \* 10/1999 Chen ..... A47G 1/20  
248/304



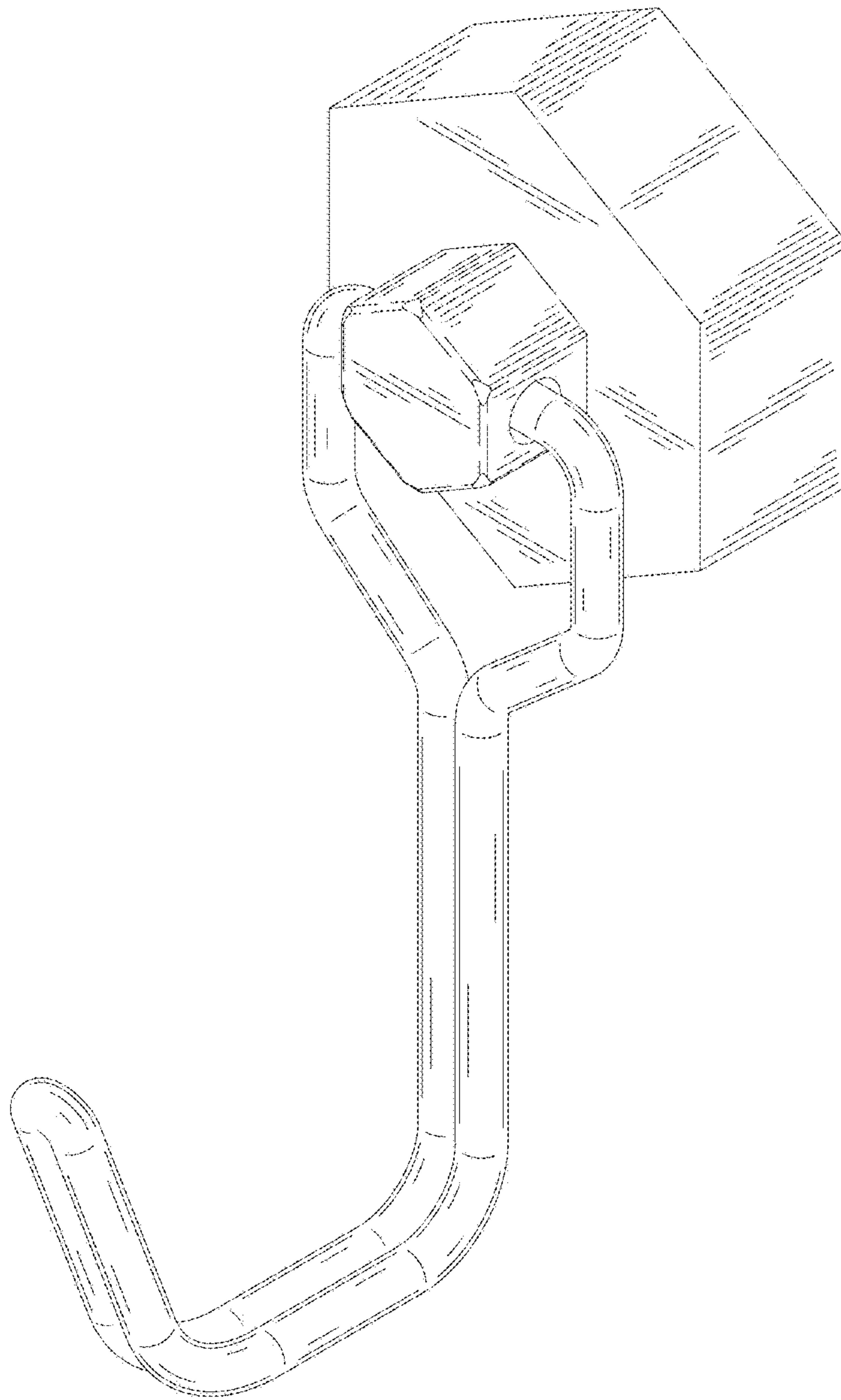


FIG. 1

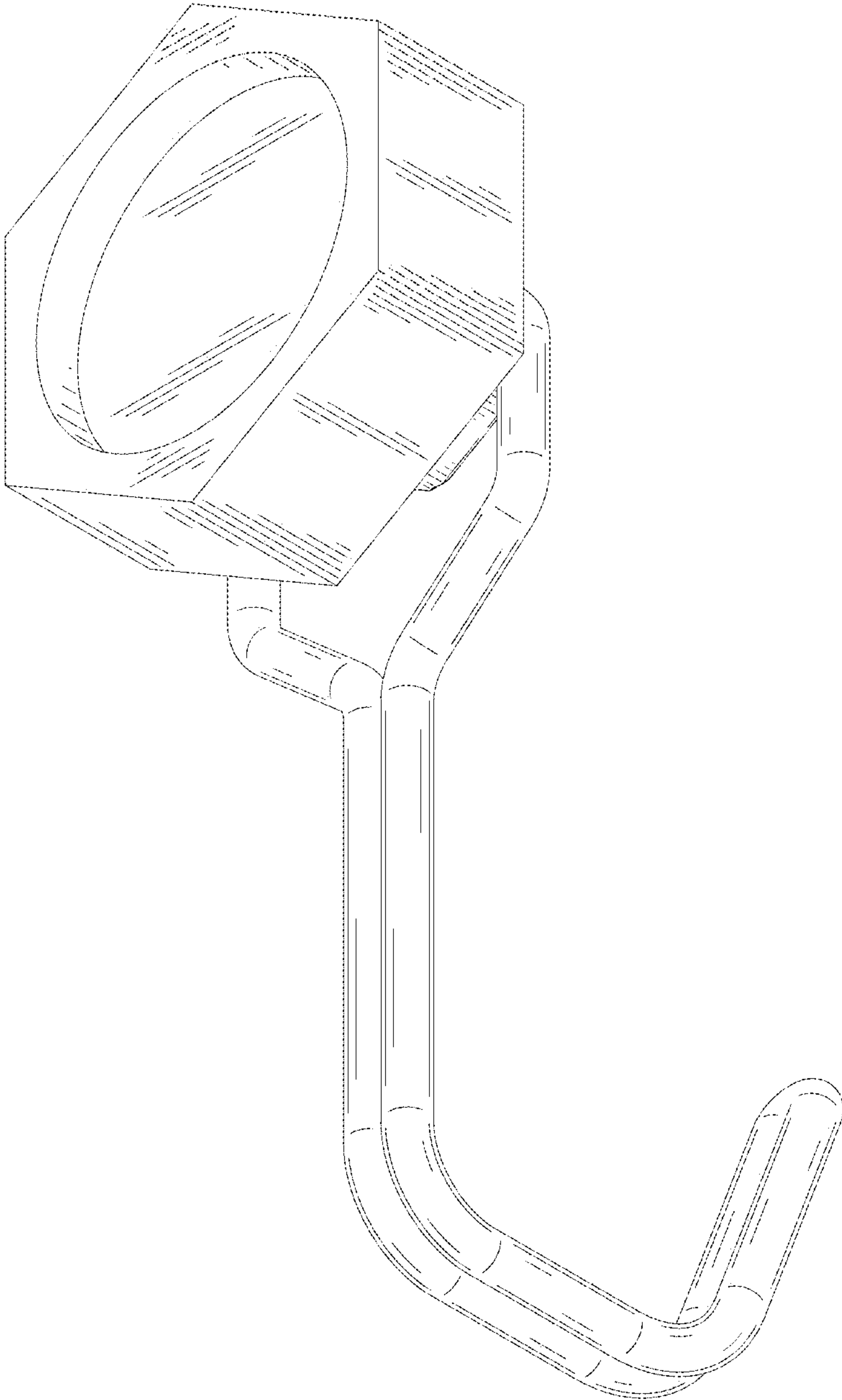


FIG. 2

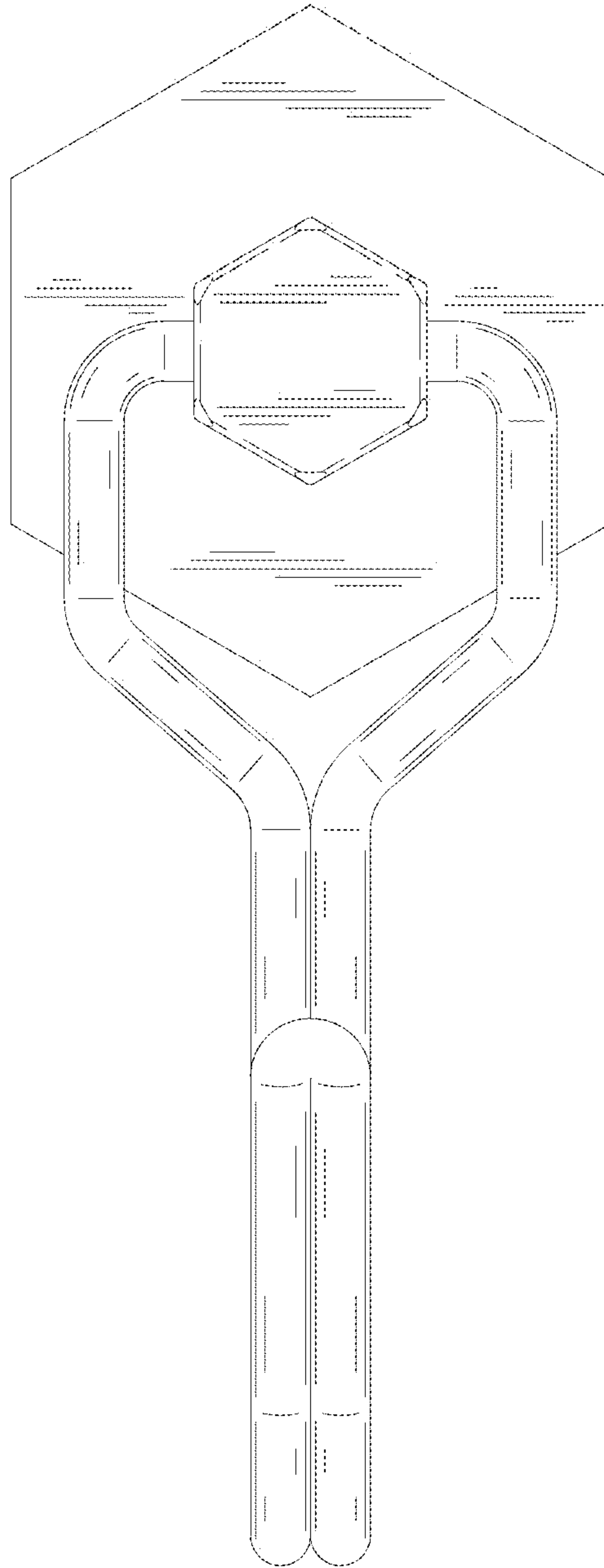


FIG. 3

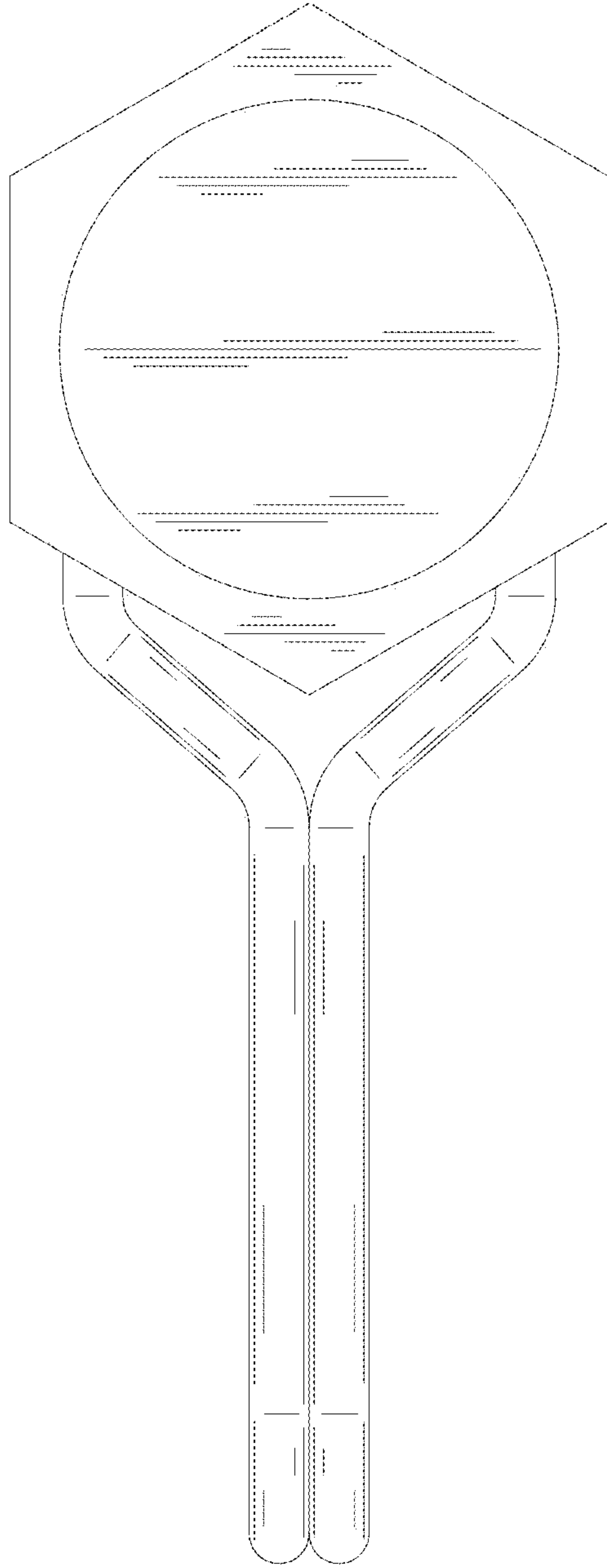


FIG. 4

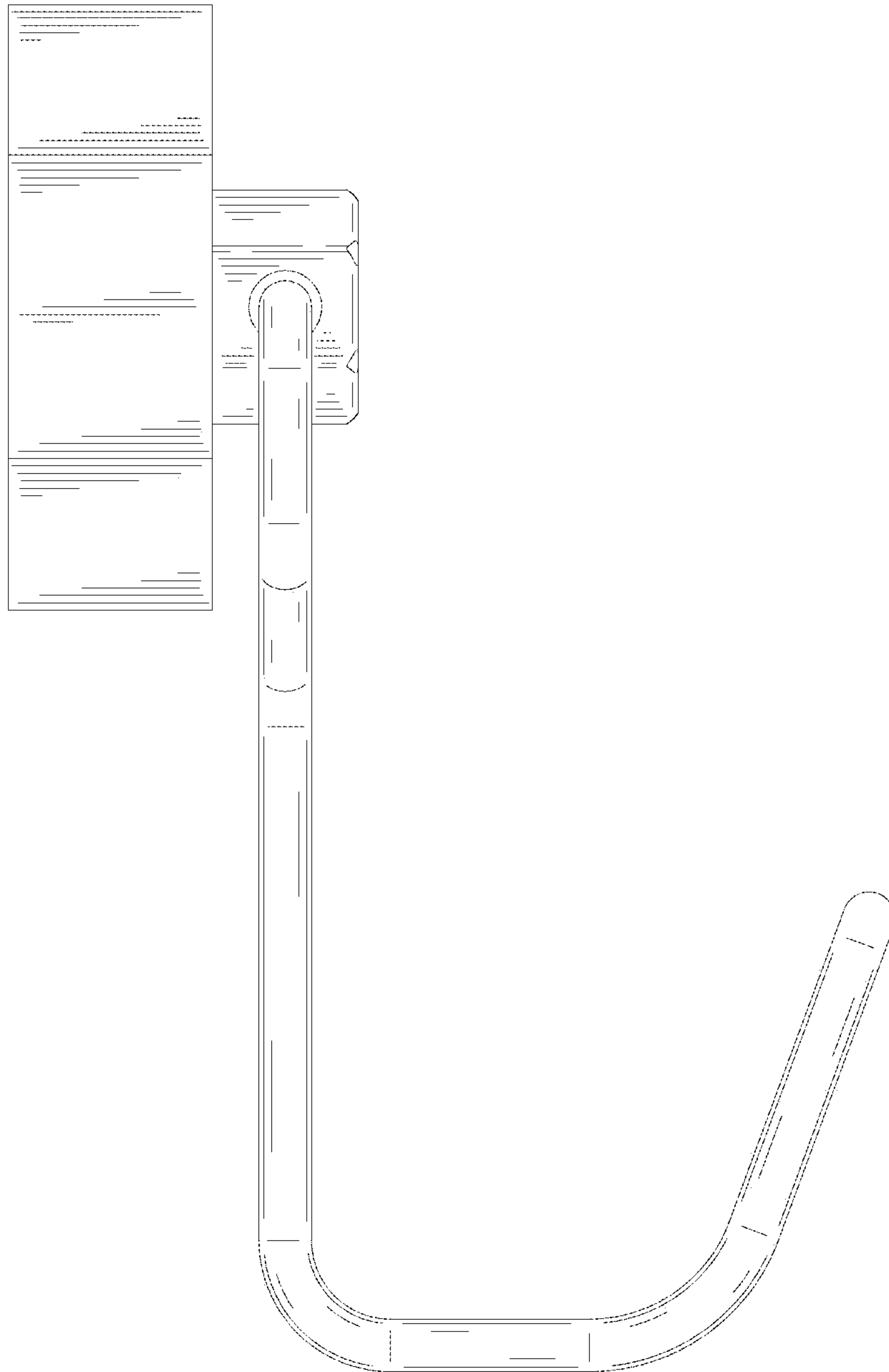


FIG. 5

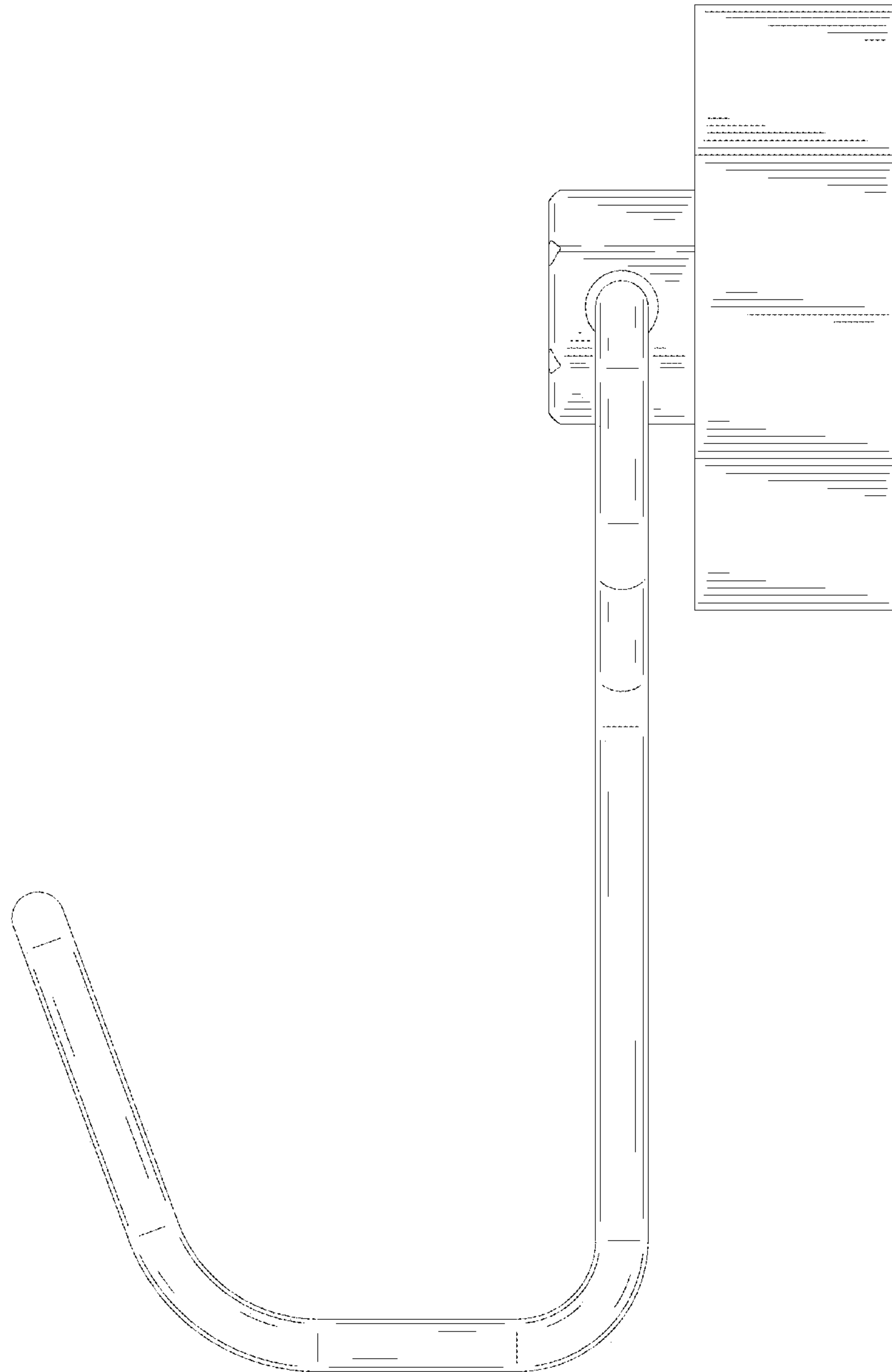


FIG. 6

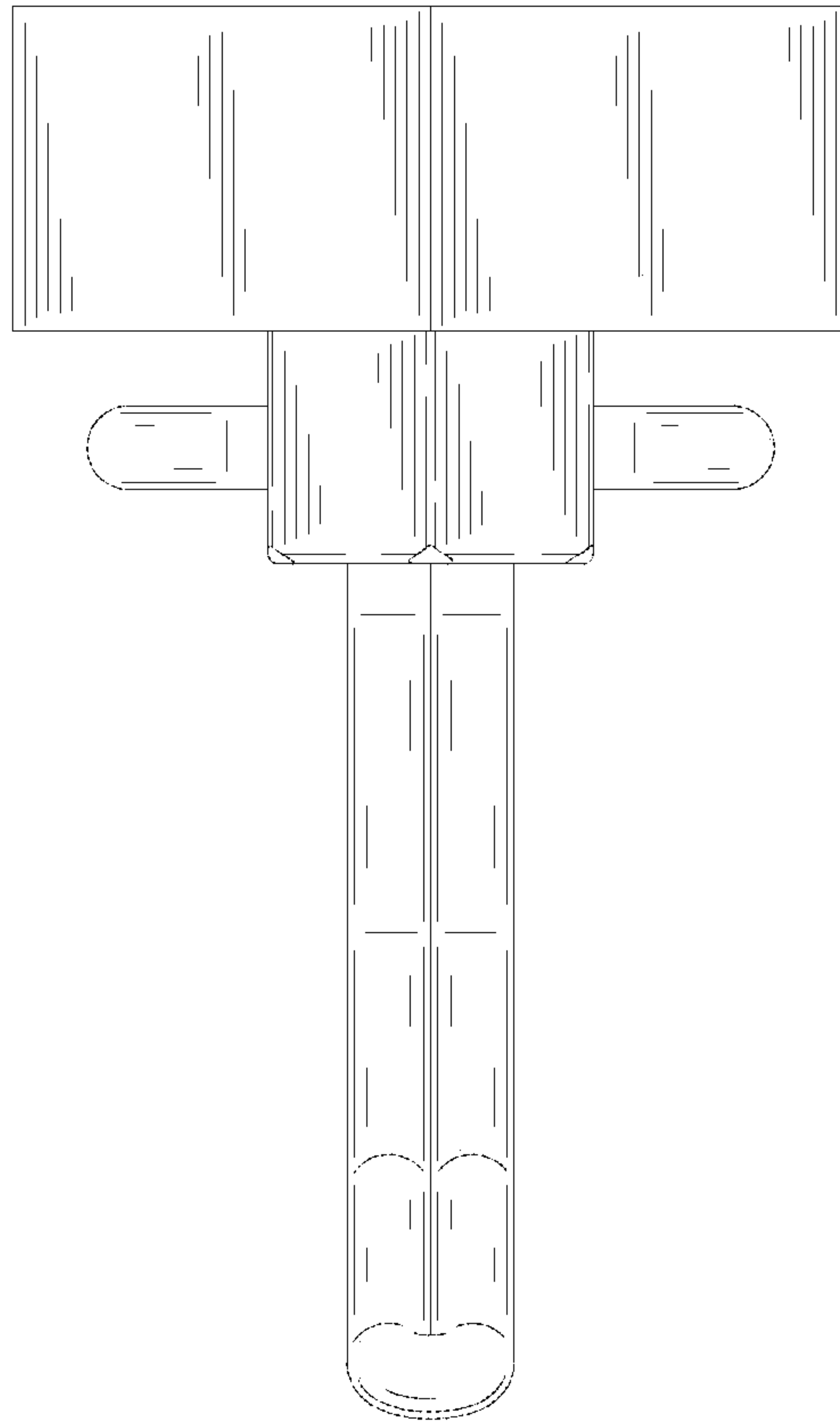


FIG. 7



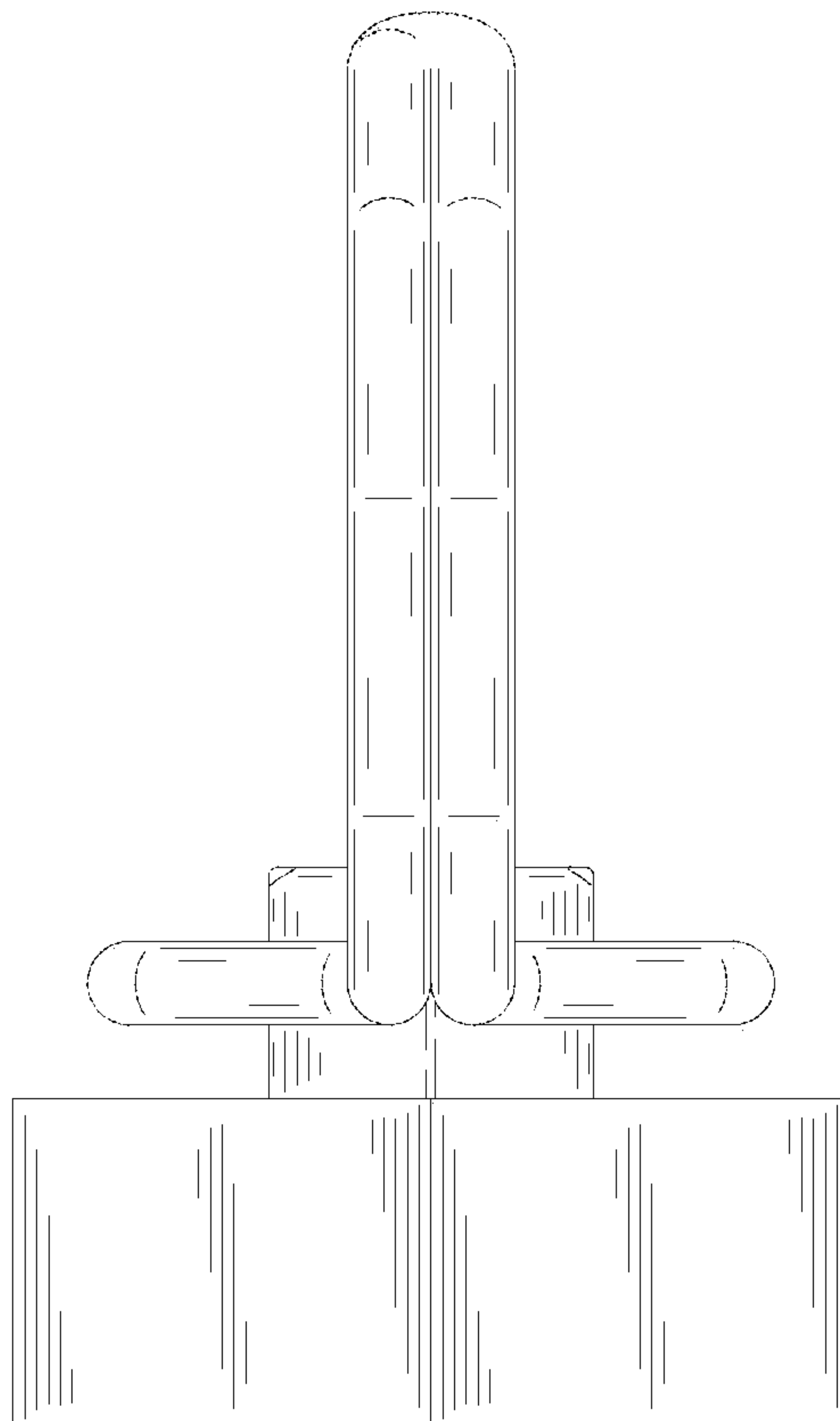


FIG. 8