



US00D986719S

(12) **United States Design Patent**
Yin

(10) **Patent No.:** **US D986,719 S**

(45) **Date of Patent:** **** May 23, 2023**

- (54) **HOOK**
- (71) Applicant: **Shenzhen Aichong Industry Co., Ltd,**
Shenzhen (CN)
- (72) Inventor: **Aicheng Yin,** Changning (CN)
- (**) Term: **15 Years**
- (21) Appl. No.: **29/886,121**
- (22) Filed: **Mar. 6, 2023**
- (51) **LOC (14) Cl.** **08-11**
- (52) **U.S. Cl.**
USPC **D8/367**
- (58) **Field of Classification Search**
USPC D8/367, 354, 349, 373; D6/323
CPC A47G 1/00; A47G 25/00; A47G 25/0614;
B25H 3/04; B25H 3/06; B25H 3/003
See application file for complete search history.

- 8,899,541 B2 * 12/2014 Bixler A47G 1/164
40/748
- D742,726 S * 11/2015 Glass D8/367
- D746,127 S * 12/2015 Cohen D8/367
- 9,500,315 B2 * 11/2016 Ajello E05C 19/02
- 10,299,614 B2 * 5/2019 Adams G09F 7/18
- D859,132 S * 9/2019 Abeel D8/367
- D864,698 S * 10/2019 Wilson A45F 5/00
D8/367
- D900,597 S * 11/2020 Lee D8/367
- 11,009,308 B2 * 5/2021 Ochs F41B 5/1453
- 11,248,741 B1 * 2/2022 Parniani A01G 5/04
- D977,958 S * 2/2023 Huang D8/372
- D982,419 * 4/2023 Chun D8/367

(Continued)

Primary Examiner — Cynthia R Underwood
(74) *Attorney, Agent, or Firm* — Daniel M. Cohn;
Howard M. Cohn

(57) **CLAIM**

The ornamental design for a hook, as shown and described.

(56) **References Cited**

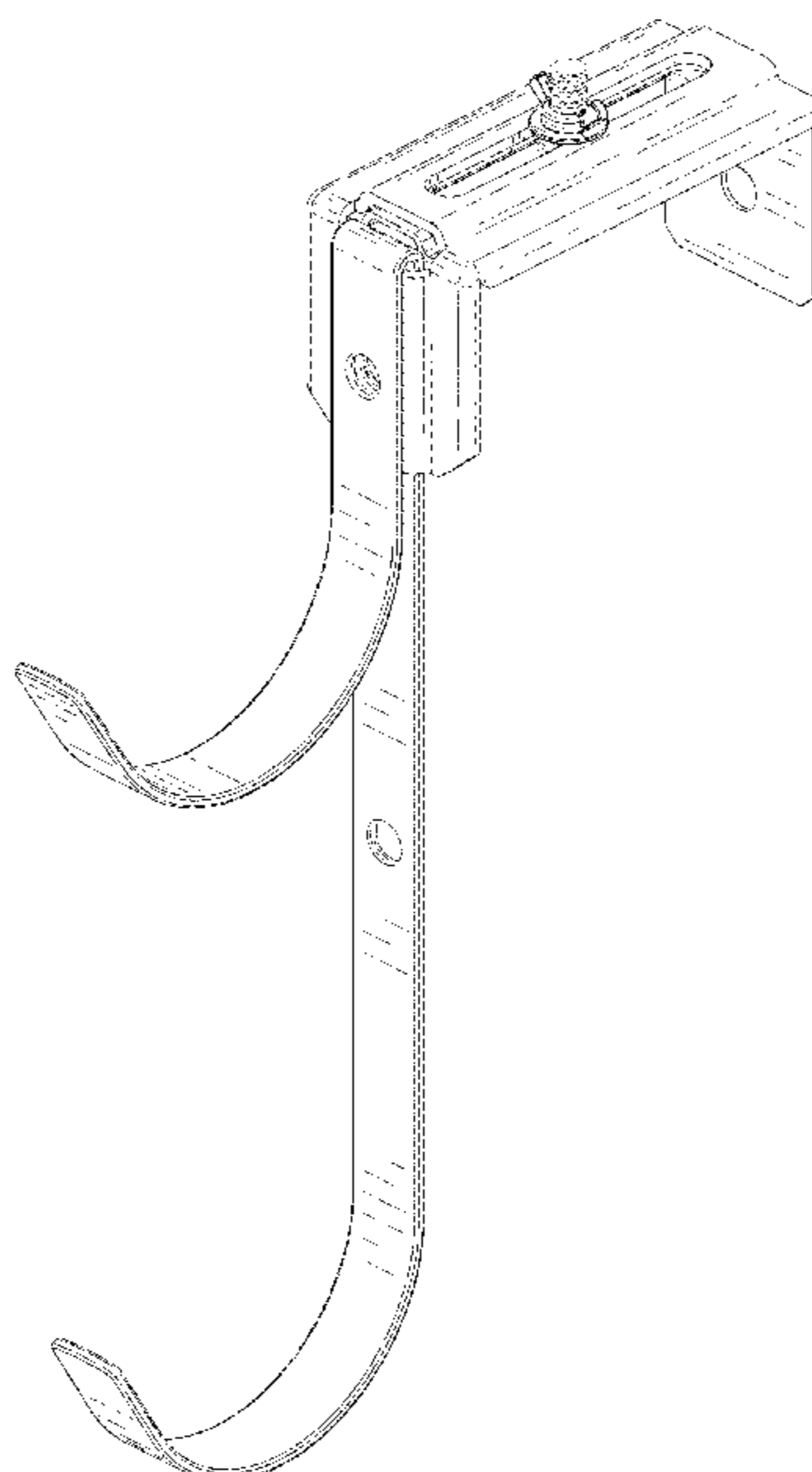
U.S. PATENT DOCUMENTS

- D302,318 S 6/1989 O'Donnell
- D305,299 S * 1/1990 Freeman D8/371
- 5,368,267 A * 11/1994 Howard A47G 7/044
248/274.1
- 7,234,671 B2 * 6/2007 Avinger A01G 5/04
248/339
- D549,565 S * 8/2007 Cox D8/394
- D558,034 S 12/2007 Ernst et al.
- D568,727 S * 5/2008 Walker D8/380
- D584,939 S * 1/2009 Snell D8/367
- 7,887,017 B2 * 2/2011 Moran B44C 5/00
248/339
- 7,992,833 B1 * 8/2011 Goodman A47G 25/0614
248/339
- D668,938 S * 10/2012 Morales D8/367
- D697,785 S * 1/2014 Davis D8/367
- 8,888,152 B1 * 11/2014 Coakley B25B 9/00
224/267

DESCRIPTION

FIG. 1 is a perspective view of a hook showing my new design;
 FIG. 2 is another perspective view thereof;
 FIG. 3 is a front view thereof;
 FIG. 4 is a back view thereof;
 FIG. 5 is a left view thereof;
 FIG. 6 is a right view thereof;
 FIG. 7 is a top plan view thereof;
 FIG. 8 is bottom plan view of a hook as shown;
 FIG. 9 is another perspective view thereof shown in an alternative configuration of use; and,
 FIG. 10 is another perspective view thereof, shown in a second alternative configuration of use.
 The broken lines depict portions of the hook and form no part of the claimed design.

1 Claim, 10 Drawing Sheets



(56)

References Cited

U.S. PATENT DOCUMENTS

2003/0173483 A1* 9/2003 Yeh A47G 7/045
248/228.3
2006/0108498 A1* 5/2006 Jackson G09F 7/18
248/690
2011/0253757 A1* 10/2011 May, Jr. A45F 3/08
224/268
2015/0150389 A1* 6/2015 Nilsson A47F 5/0823
248/220.42
2015/0238027 A1* 8/2015 Yeh A47G 1/1653
248/307

* cited by examiner

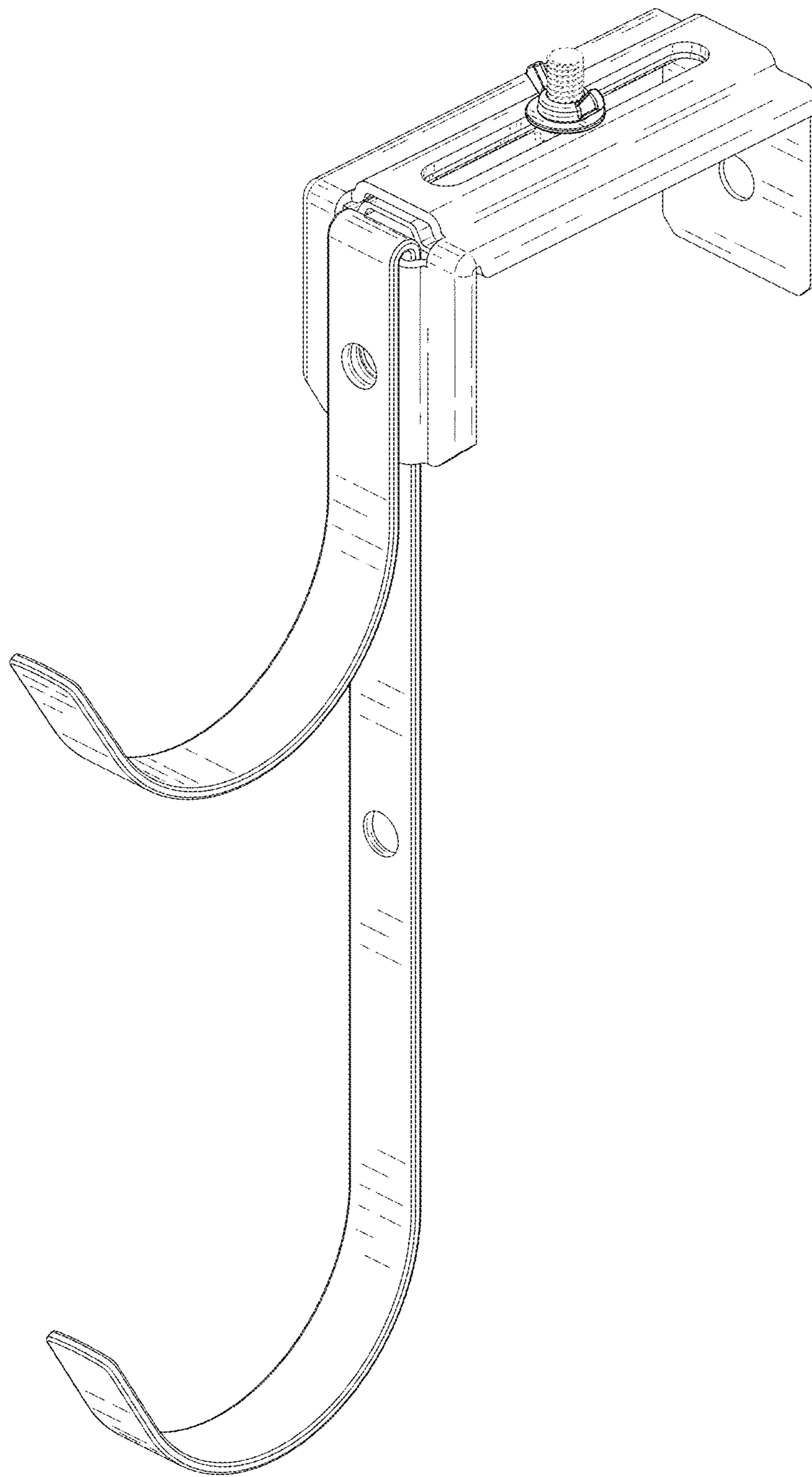


FIG. 1

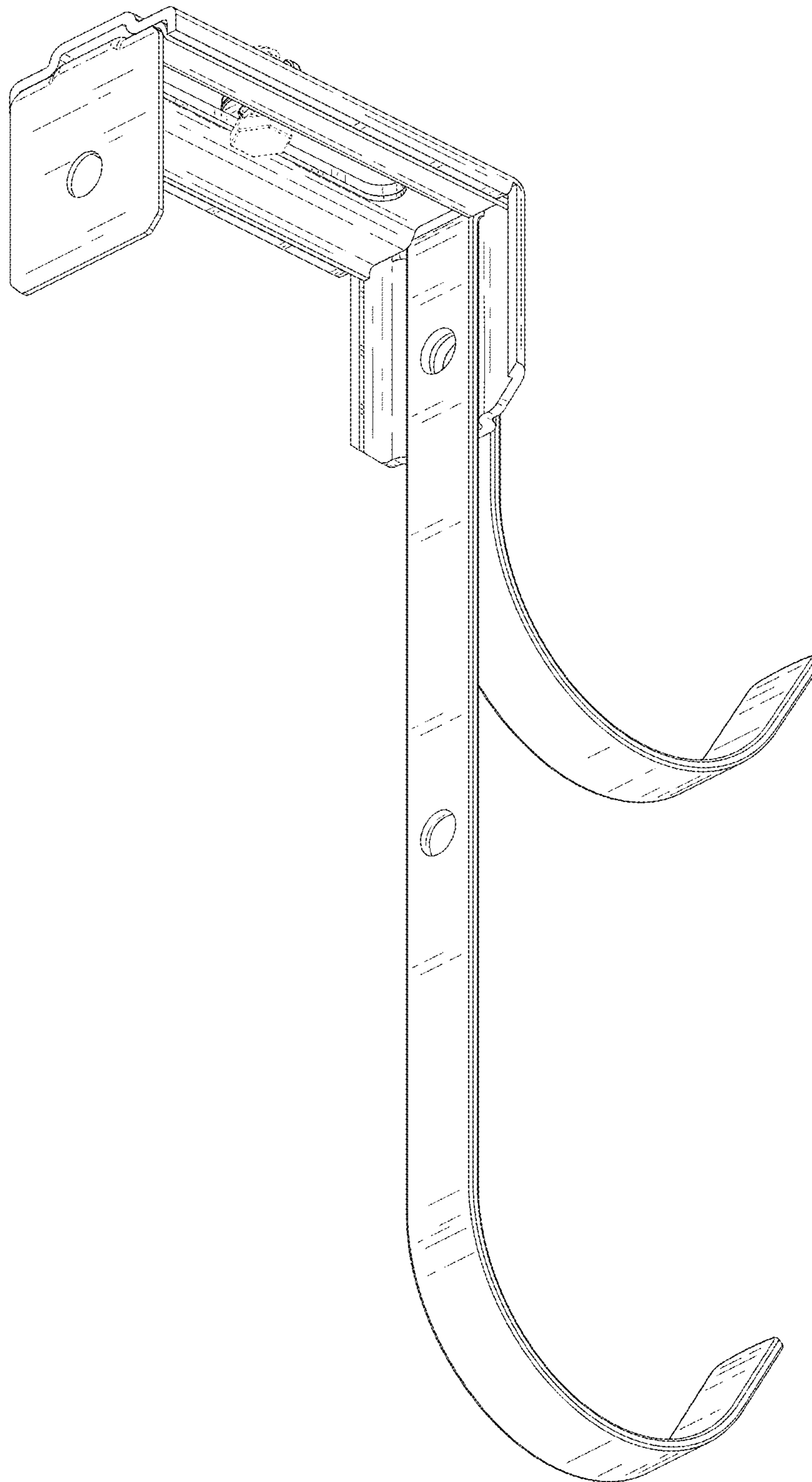


FIG. 2



FIG. 3

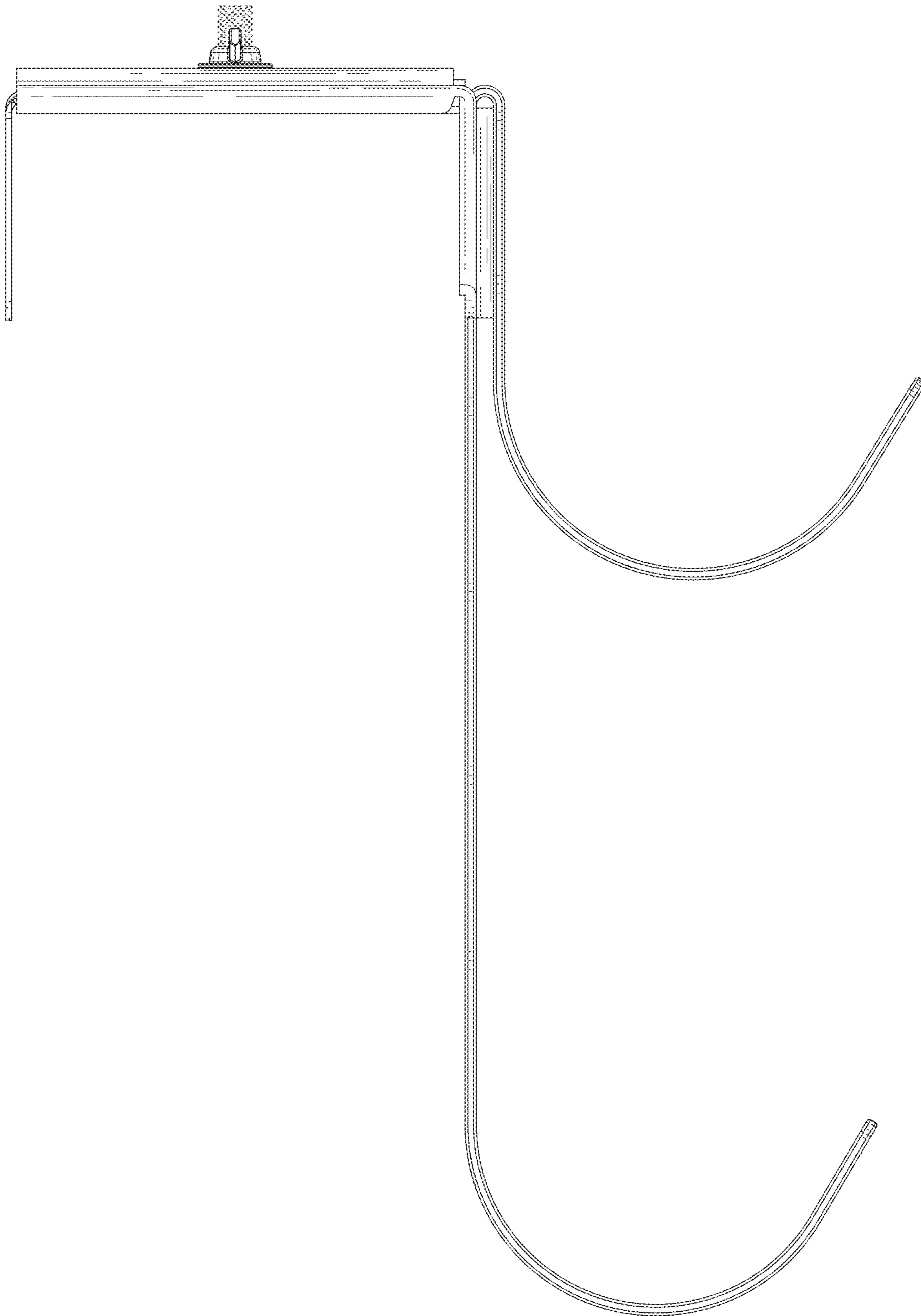


FIG. 4

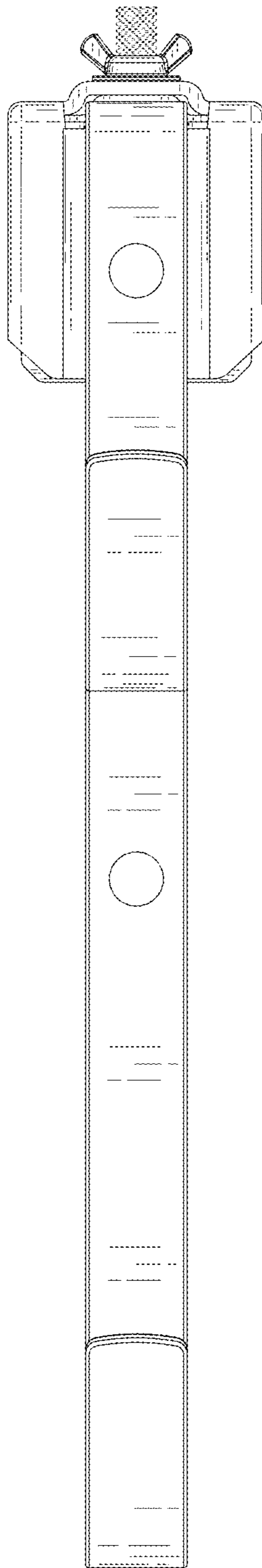


FIG. 5

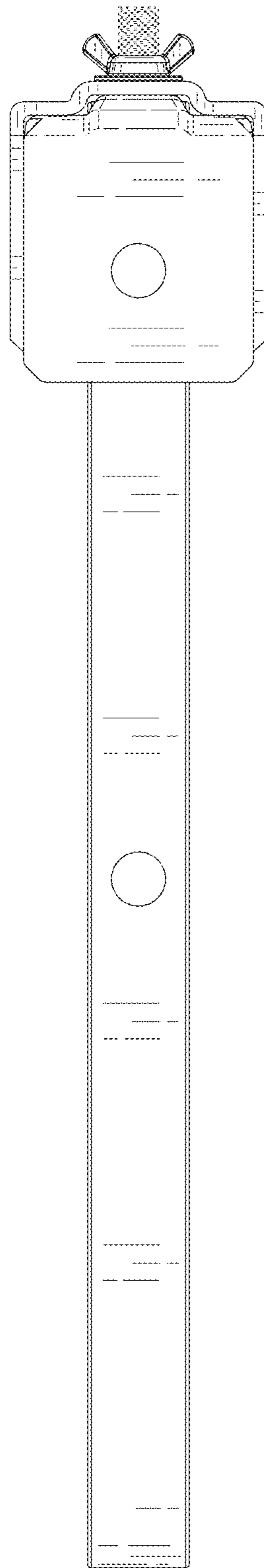


FIG. 6

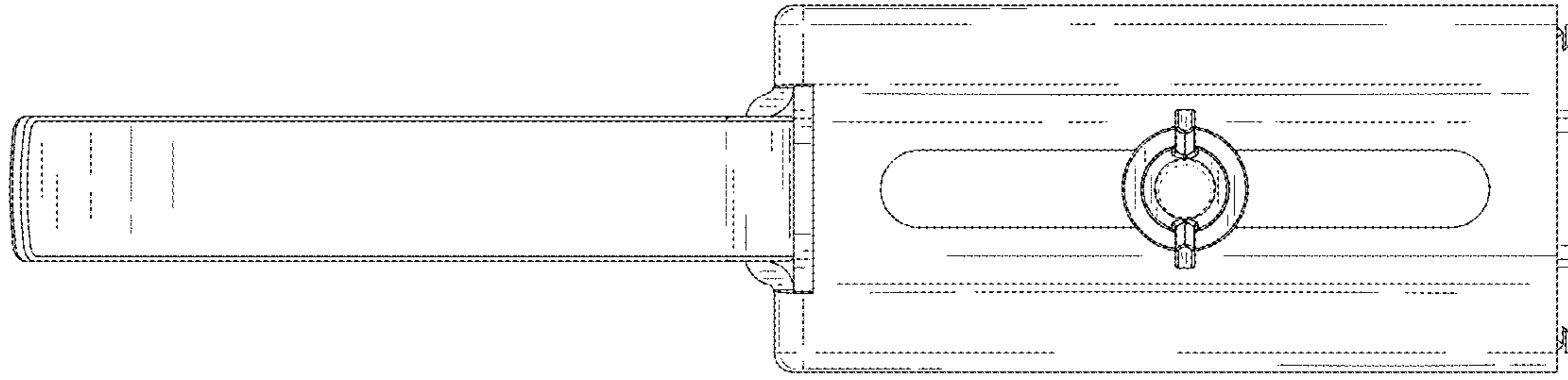


FIG. 7

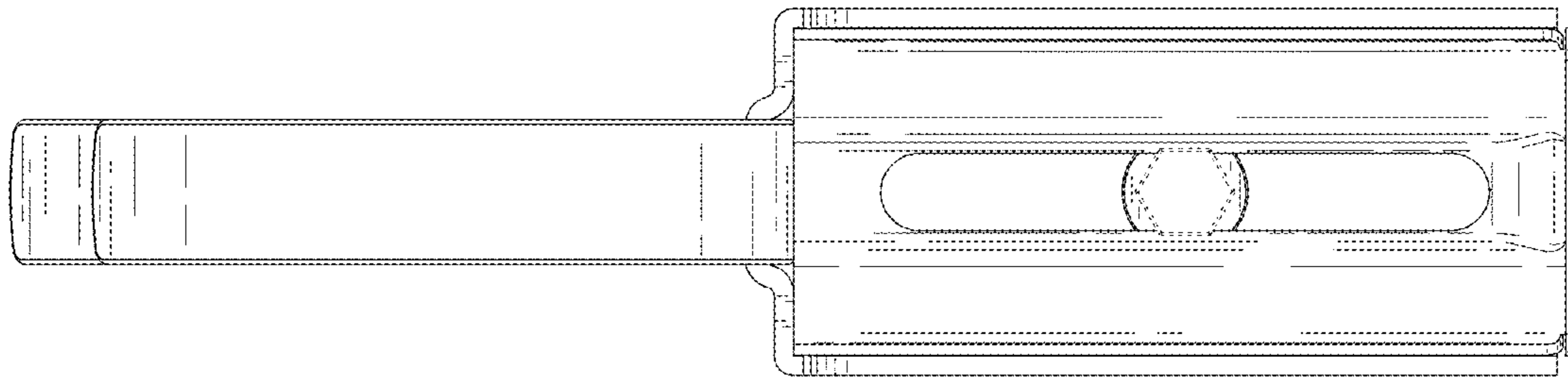


FIG. 8

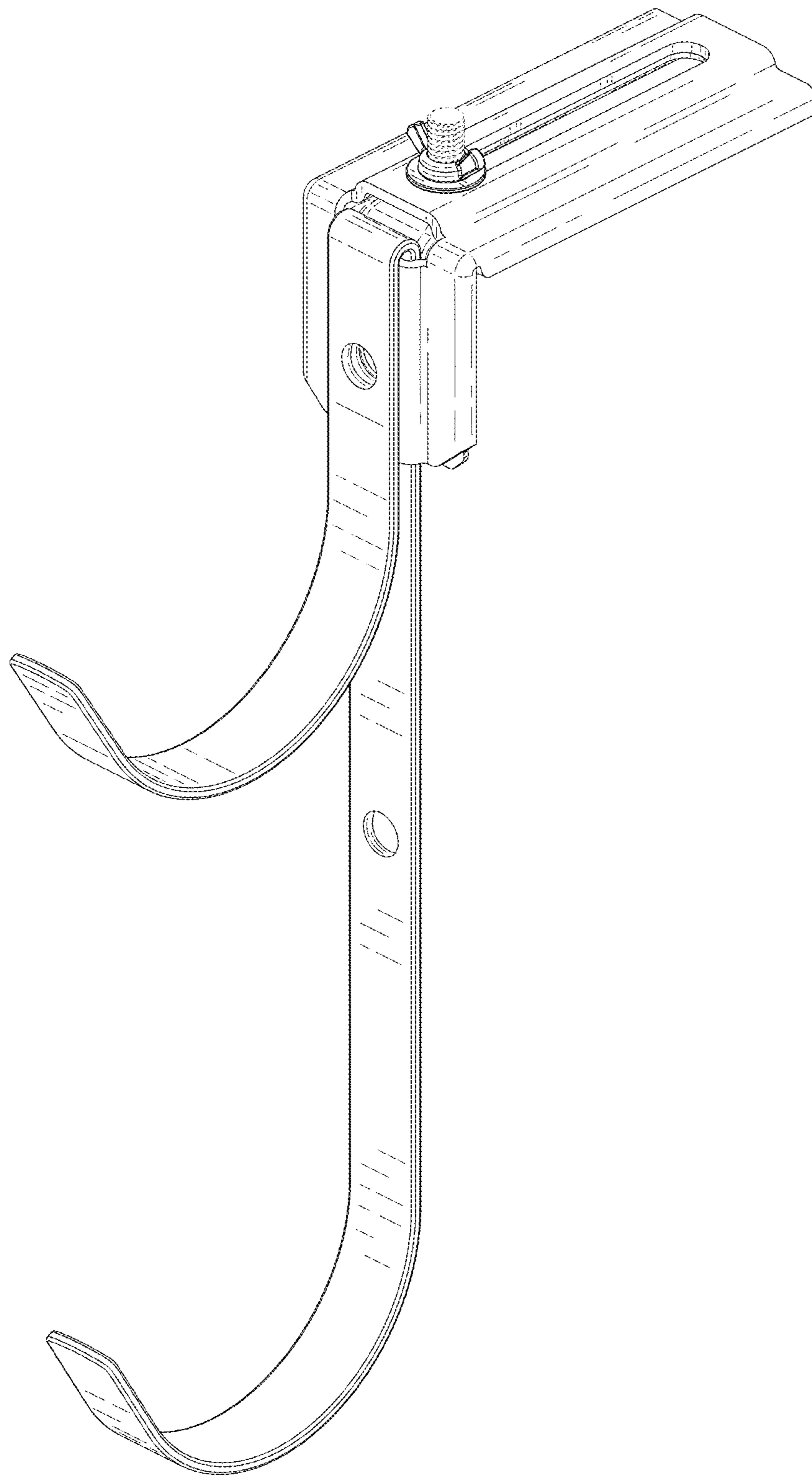


FIG. 9

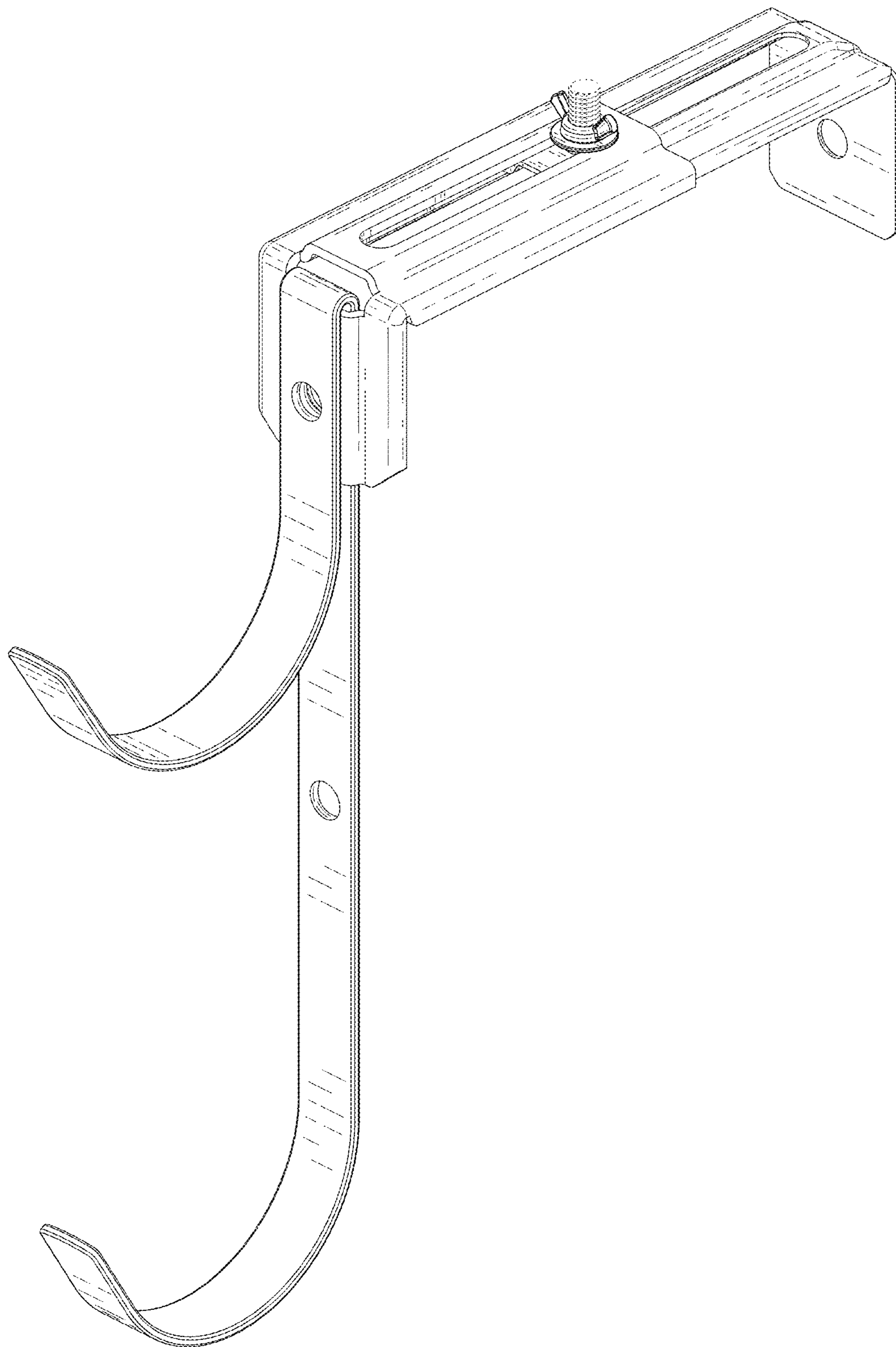


FIG. 10