



US00D986717S

(12) **United States Design Patent** (10) **Patent No.:** **US D986,717 S**
Chen (45) **Date of Patent:** **** May 23, 2023**

(54) **MAGNET HOOK**
(71) Applicant: **Ningbo Zhenhai Keyda Magnet Co., Ltd.**, Ningbo (CN)
(72) Inventor: **Mingmin Chen**, Ningbo (CN)
(73) Assignee: **Ningbo Zhenhai Keyda Magnet Co., Ltd.**, Ningbo (CN)
(**) Term: **15 Years**
(21) Appl. No.: **29/867,731**
(22) Filed: **Nov. 7, 2022**
(51) **LOC (14) Cl.** **08-05**
(52) **U.S. Cl.**
USPC **D8/367**
(58) **Field of Classification Search**
USPC D8/349, 354, 367, 372; D6/323
CPC .. A47G 1/17; A47G 25/0607; A47G 25/0635;
A47G 29/08; A47G 23/0225; A47G
7/044; Y10T 24/4755; Y10T 428/21;
Y10T 24/3484; Y10T 24/45115; Y10T
24/4523; Y10T 24/45969
See application file for complete search history.

6,308,923 B1 * 10/2001 Howard F16B 47/00
248/205.8
6,519,818 B1 * 2/2003 Chang B66C 1/36
24/599.4
6,550,735 B1 * 4/2003 Zheng F16B 47/00
248/205.5
D659,519 S * 5/2012 Berkowitz D8/367
D670,997 S * 11/2012 Thompson D8/367
D765,498 S 9/2016 Dankert
D842,083 S * 3/2019 Thompson D8/367
D864,700 S * 10/2019 Chen D8/367
D917,266 S 4/2021 Winnie
D918,698 S * 5/2021 Man D8/367
D935,312 S * 11/2021 Zhou D8/367
D945,866 S 3/2022 Luo
D948,997 S * 4/2022 Wang D8/367
D953,849 S * 6/2022 Liu D8/367
D957,234 S * 7/2022 Limber D8/367

(Continued)

Primary Examiner — Lauren R Calve
(74) *Attorney, Agent, or Firm* — True Shepherd LLC;
Andrew C. Cheng

(57) **CLAIM**

The ornamental design for a magnet hook, as shown and described.

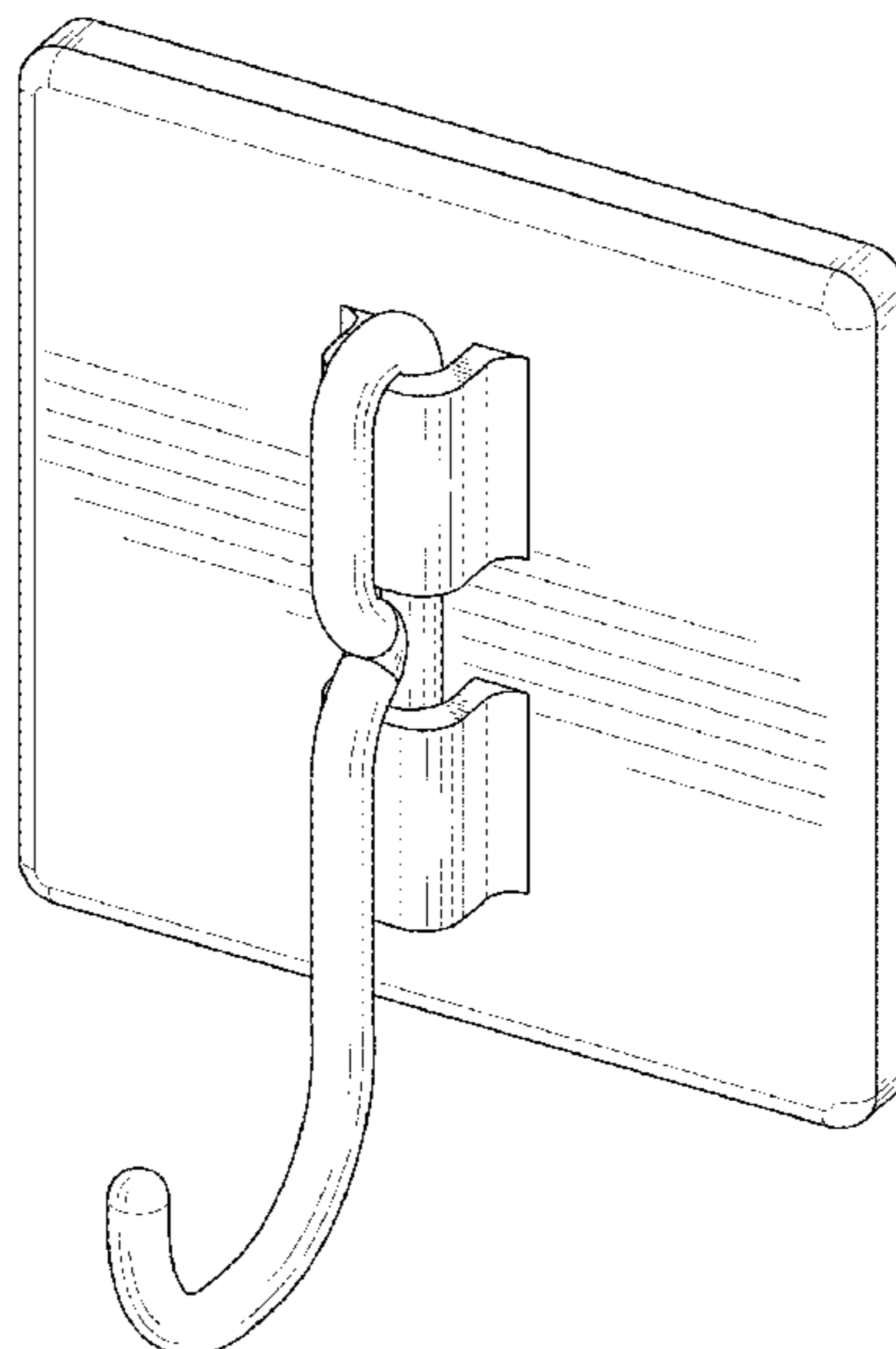
DESCRIPTION

FIG. 1 is a perspective view of a magnet hook showing my new design;
FIG. 2 is another perspective view thereof;
FIG. 3 is a front view thereof;
FIG. 4 is a rear view thereof;
FIG. 5 is a left side view thereof;
FIG. 6 is a right side view thereof;
FIG. 7 is a top plan view thereof; and,
FIG. 8 is a bottom plan view thereof.
The broken lines depict portions of the magnet hook and form no part of the claimed design.

1 Claim, 8 Drawing Sheets

(56) **References Cited**
U.S. PATENT DOCUMENTS

1,560,029 A * 11/1925 Erickson F16B 47/003
248/467
2,765,998 A * 10/1956 Engert A47G 1/17
248/467
3,637,181 A * 1/1972 Janssen A47G 1/17
156/320
D235,401 S * 6/1975 Tegner D8/372
D289,255 S * 4/1987 Chasen D8/367
5,411,231 A * 5/1995 Buck H01F 7/0252
248/206.5
D374,602 S * 10/1996 Protz, Jr. D8/367
5,595,364 A * 1/1997 Protz, Jr. A47G 1/17
248/205.5



(56)

References Cited

U.S. PATENT DOCUMENTS

D957,235	S *	7/2022	Limber	D8/367
D960,694	S *	8/2022	Chen	D8/367
D968,938	S *	11/2022	Zhou	D8/372
D971,712	S *	12/2022	Zhou	D8/367
D972,923	S *	12/2022	He	D8/367
D974,885	S *	1/2023	Zhou	D8/367
D974,887	S *	1/2023	Liu	D8/367
2003/0189147	A1 *	10/2003	Immerman	A47G 25/0614 248/302
2007/0272819	A1 *	11/2007	Wang	A47G 25/0607 248/476
2012/0256065	A1 *	10/2012	Nordsell	F16M 13/022 248/221.11
2016/0102809	A1 *	4/2016	Kikuchi	F16M 13/025 248/206.5

* cited by examiner

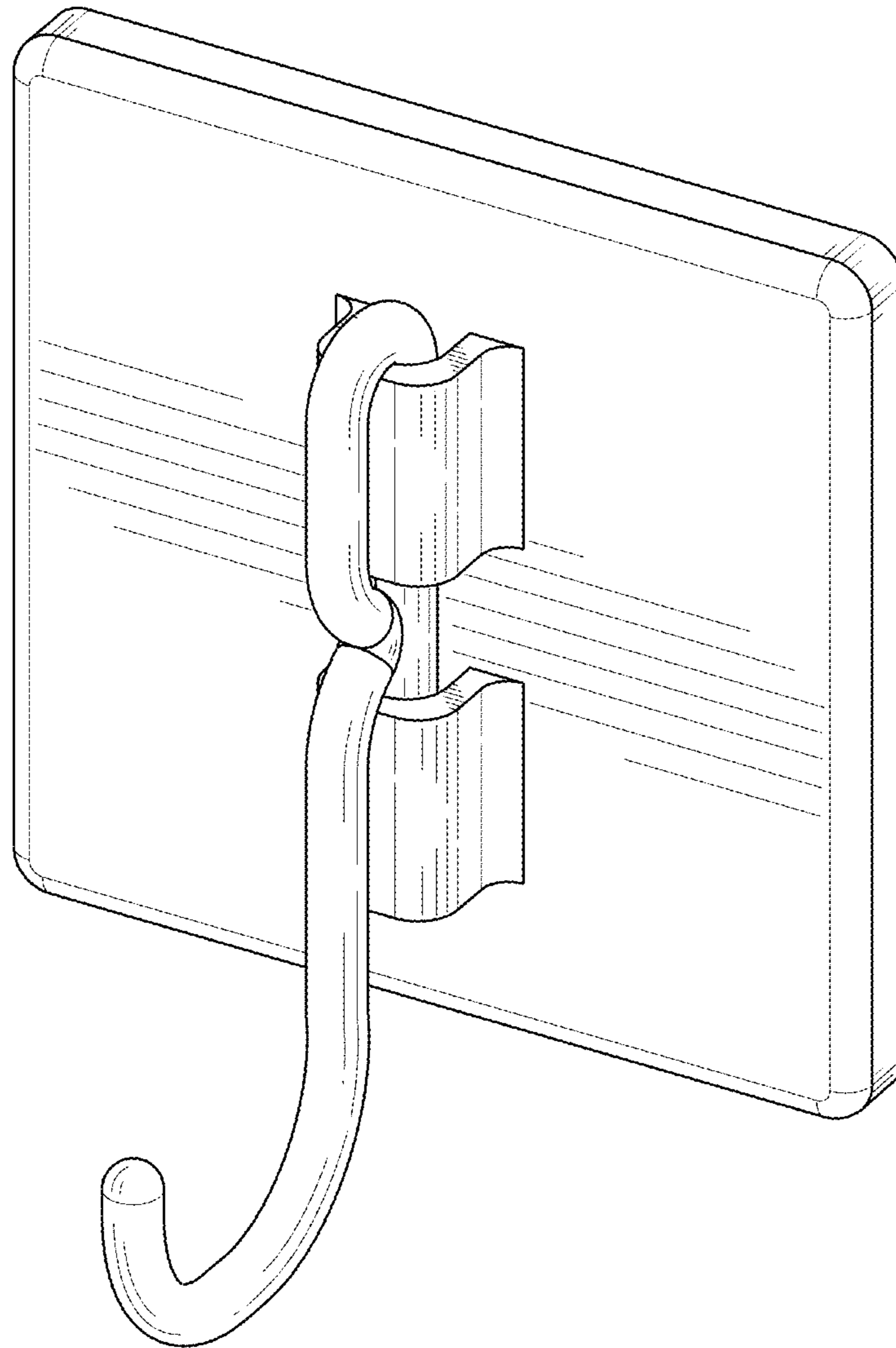


FIG. 1

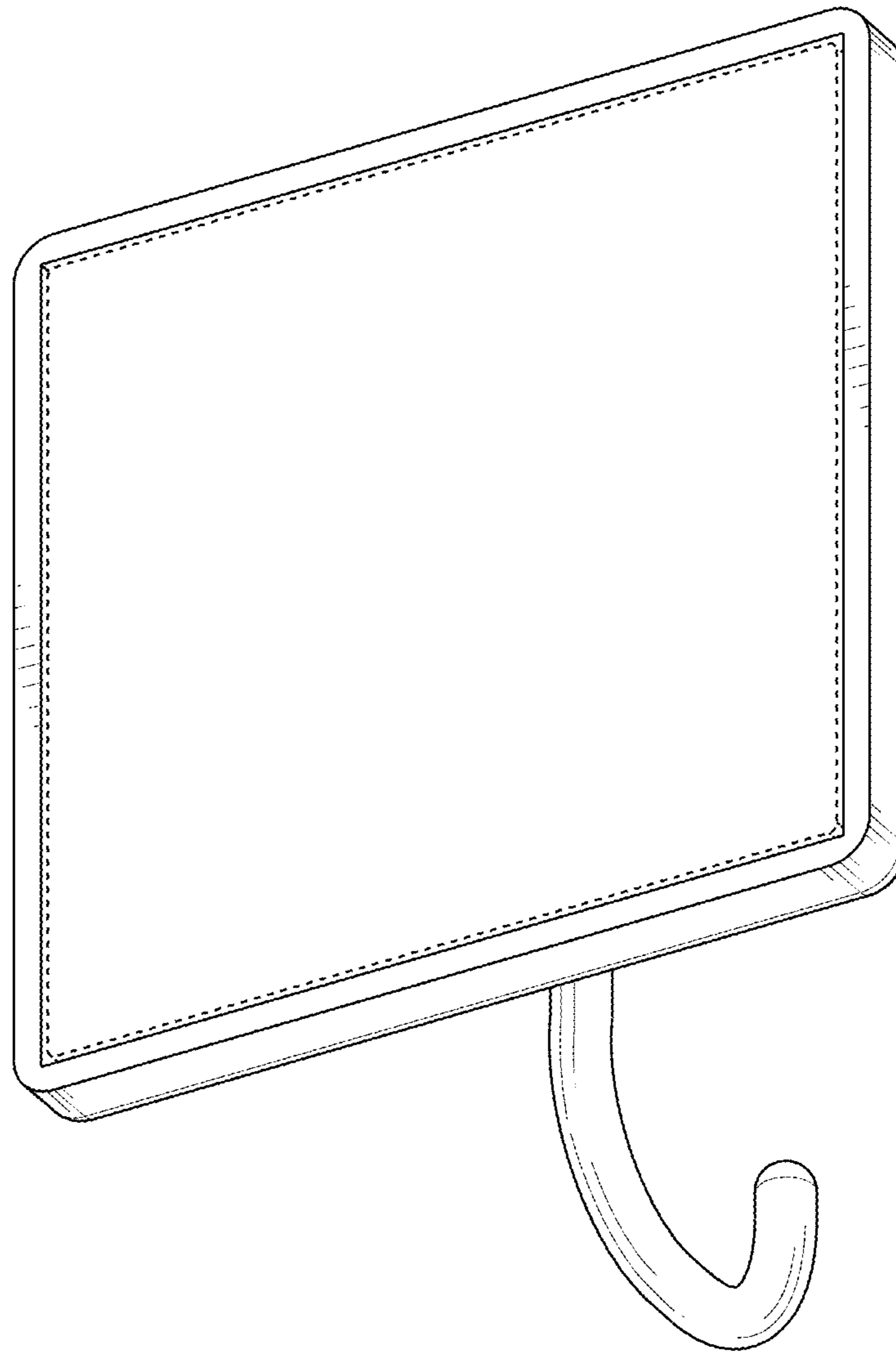


FIG. 2

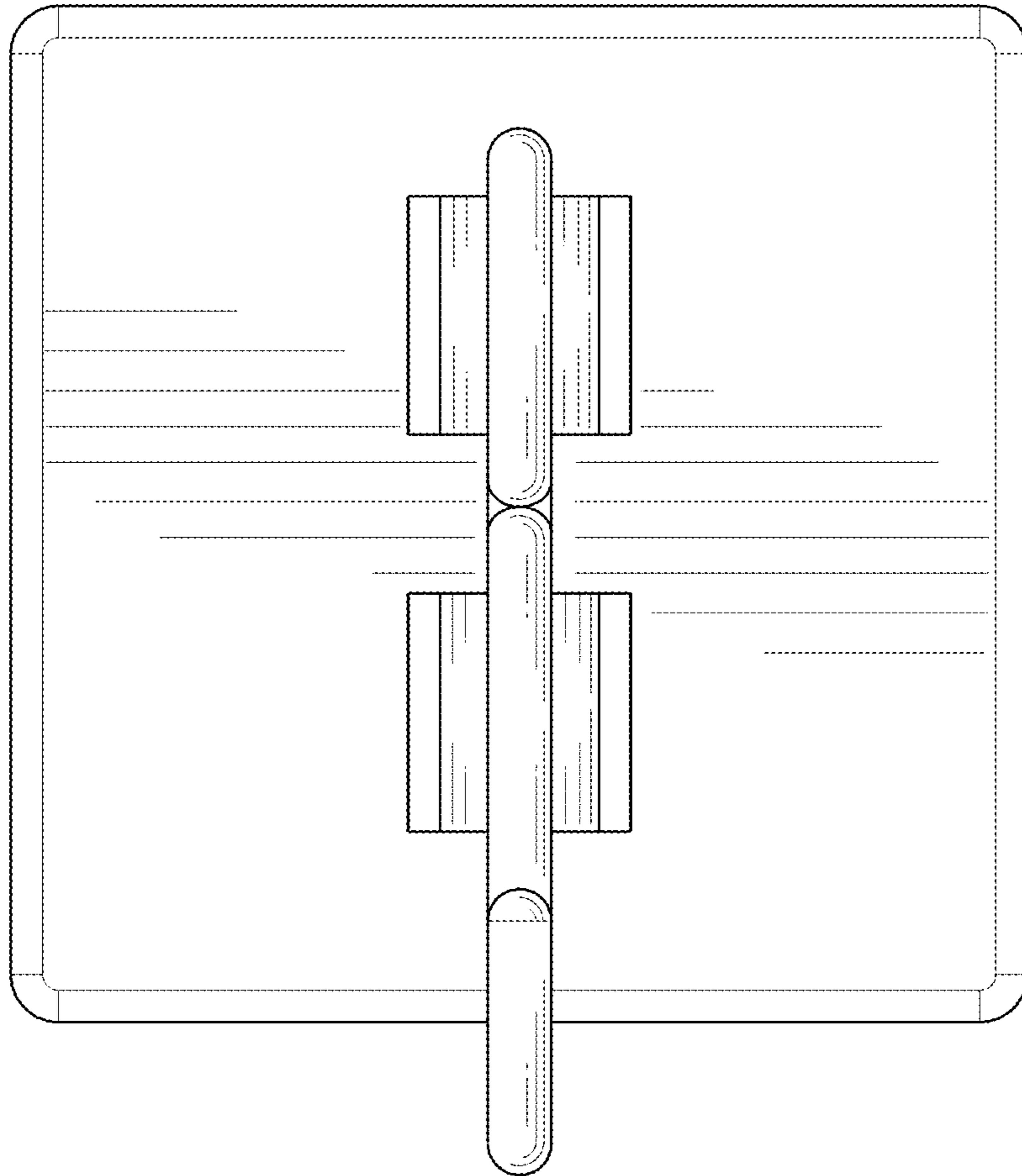


FIG. 3

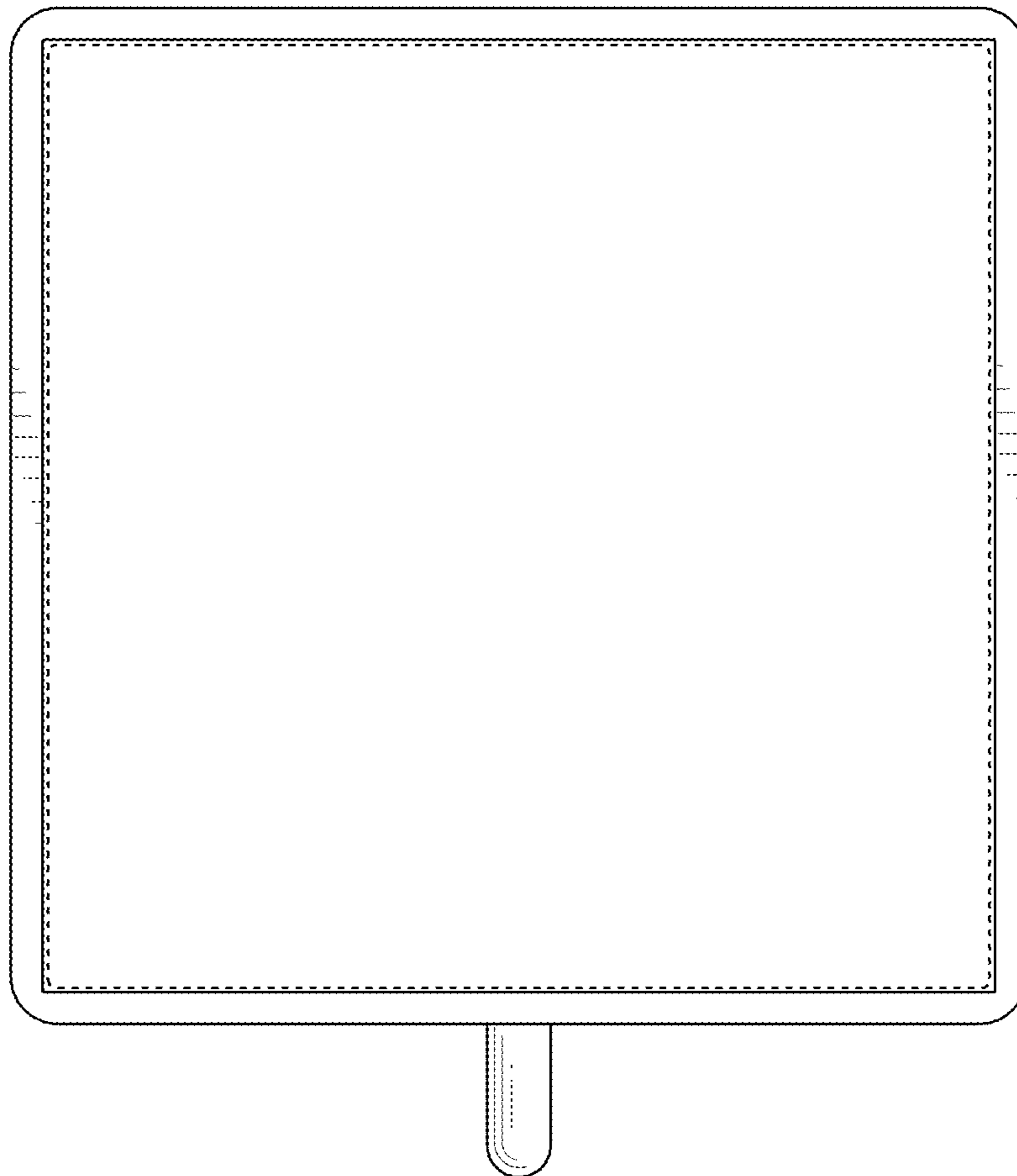


FIG. 4

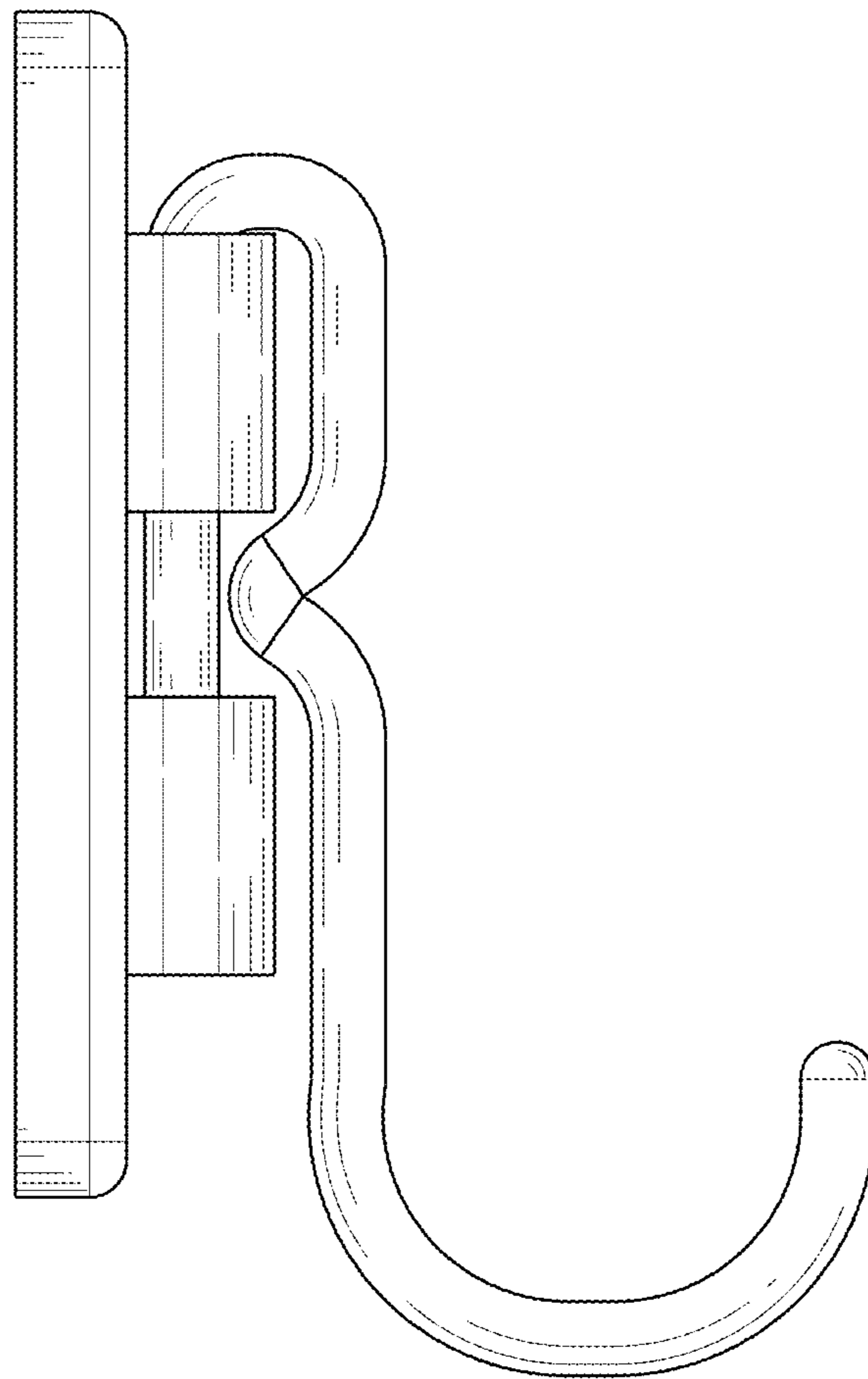


FIG. 5

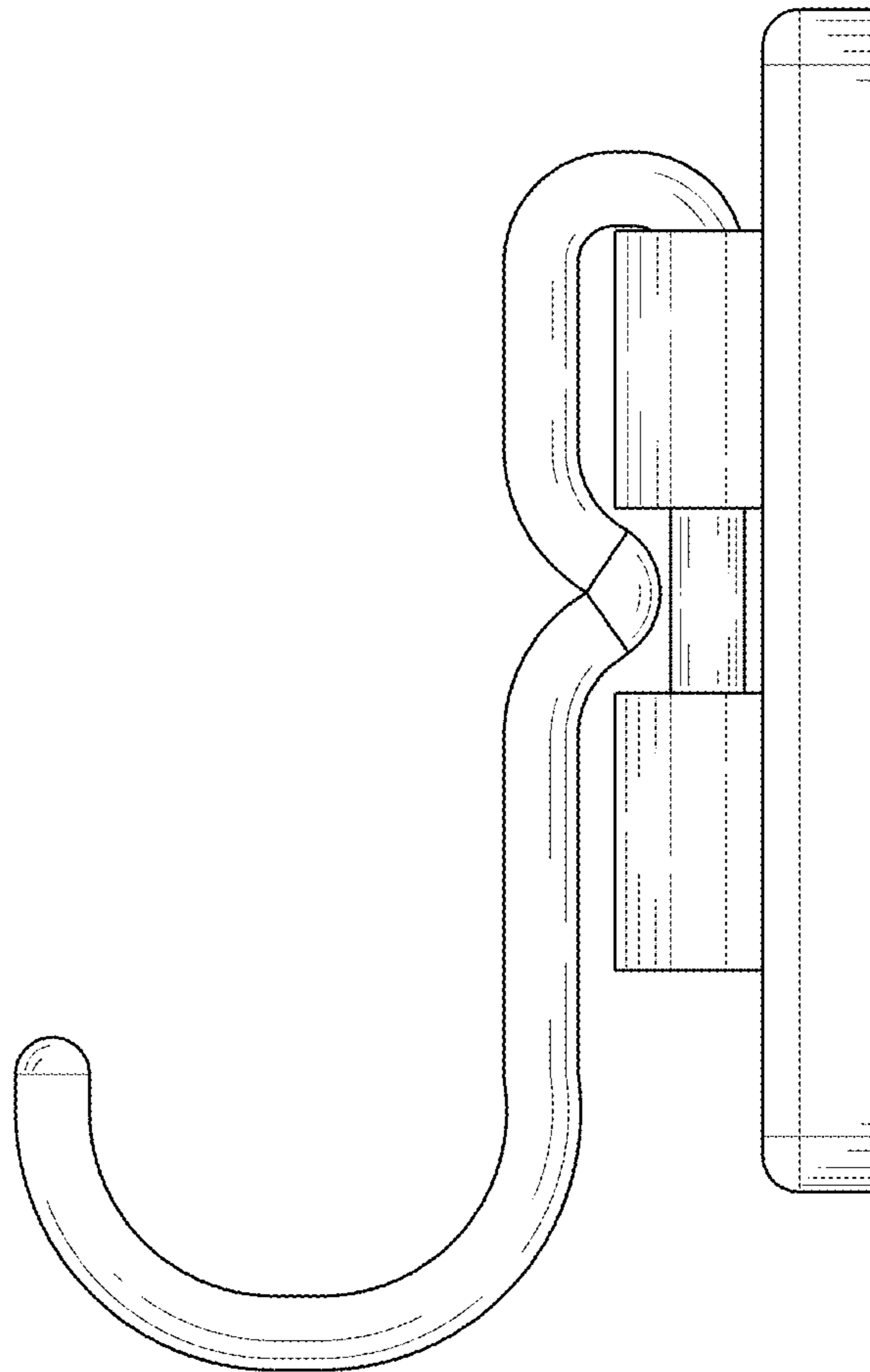


FIG. 6

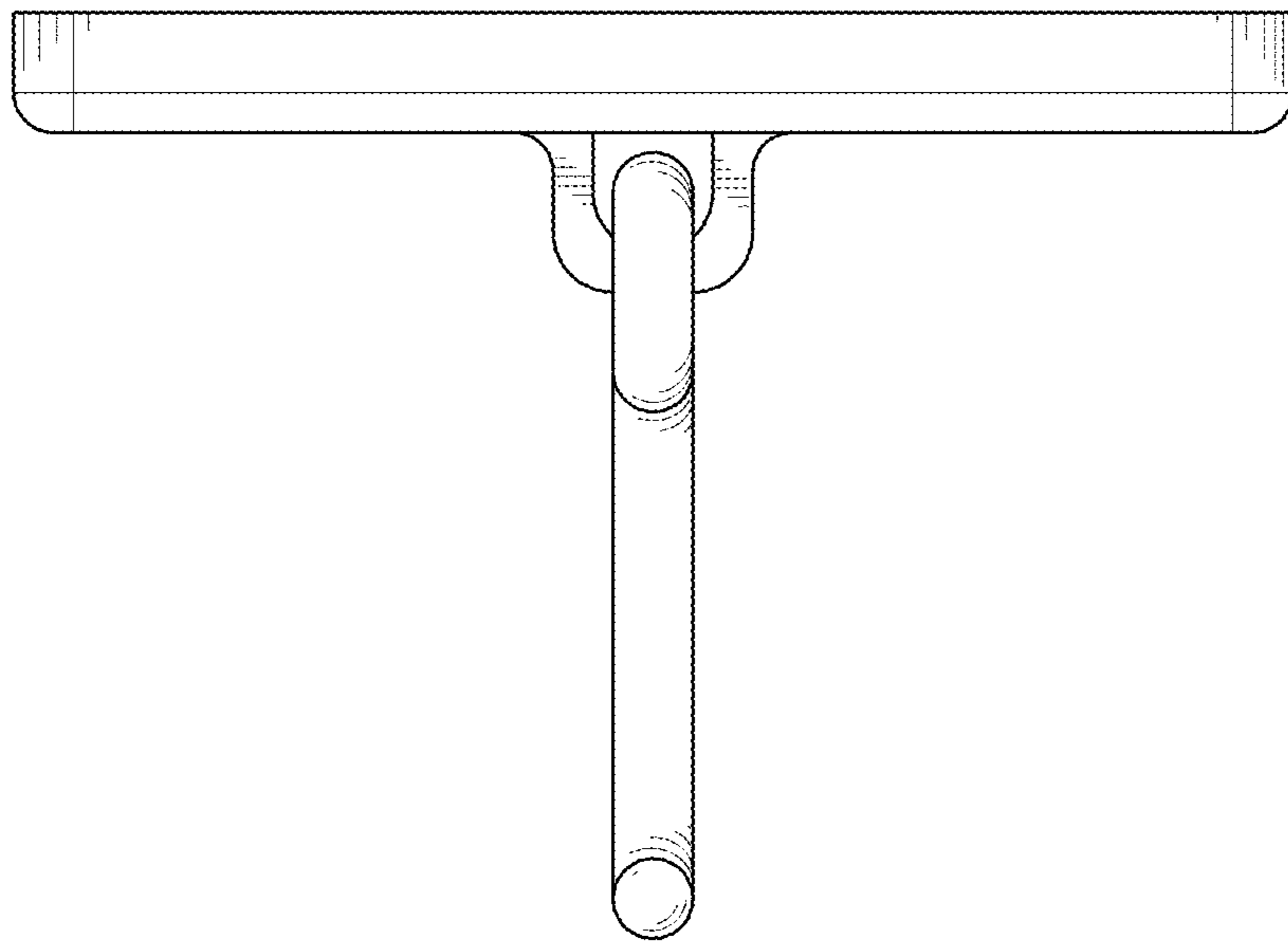


FIG. 7

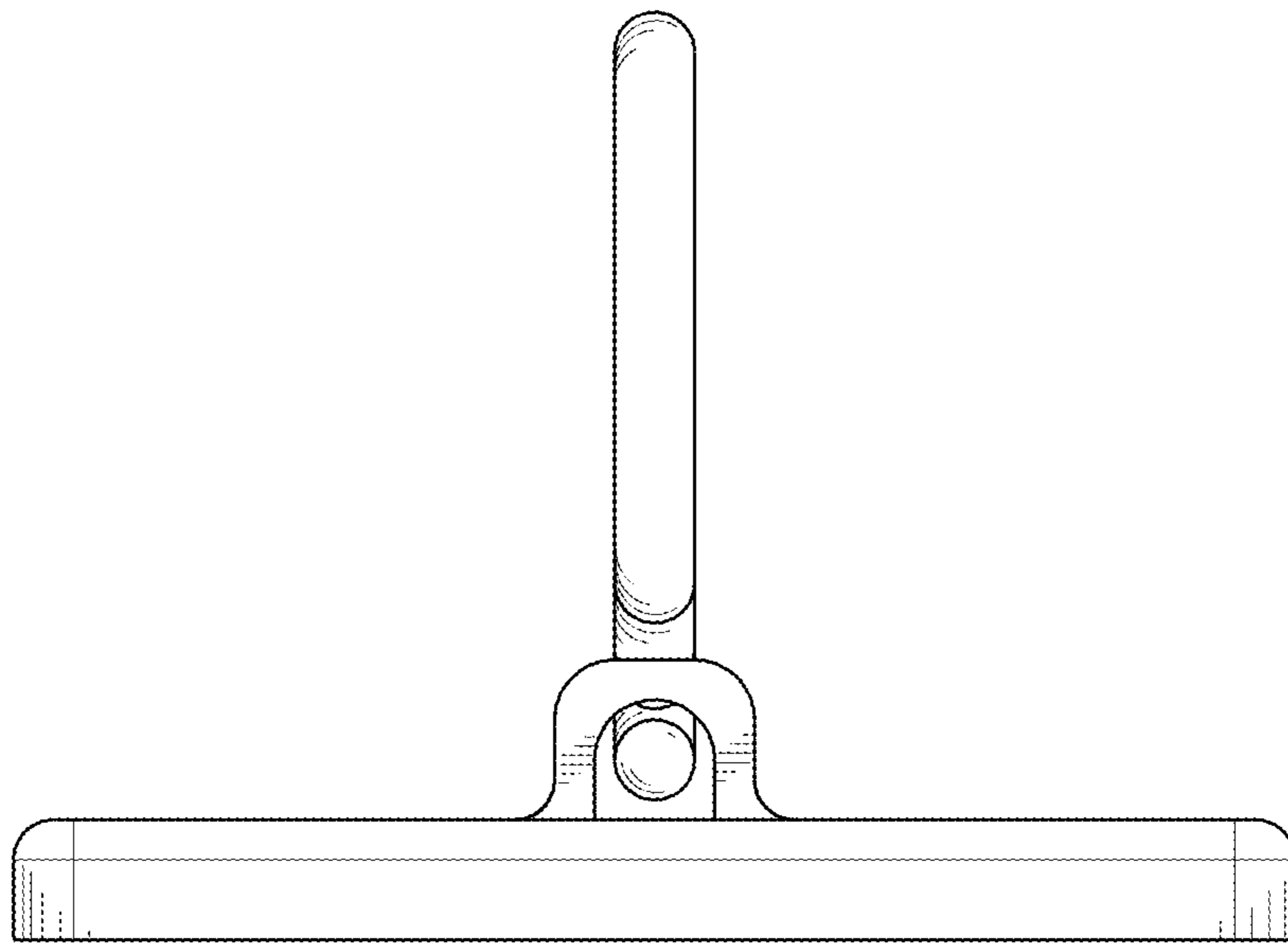


FIG. 8