



US00D986716S

(12) **United States Design Patent**
Yao

(10) **Patent No.:** **US D986,716 S**
(45) **Date of Patent:** **** May 23, 2023**

- (54) **HOOK AND BELT ASSEMBLY**
- (71) Applicant: **Hanzhou Ranxing Creative Technology Co., Ltd**, Hangzhou (CN)
- (72) Inventor: **Jianyong Yao**, Hangzhou (CN)
- (**) Term: **15 Years**
- (21) Appl. No.: **29/856,937**
- (22) Filed: **Oct. 18, 2022**
- (51) **LOC (14) Cl.** **08-11**
- (52) **U.S. Cl.**
USPC **D8/367**
- (58) **Field of Classification Search**
USPC D8/356, 354, 367; D12/420, 223;
248/339
CPC B60R 7/043; B60R 7/08; A47C 7/52
See application file for complete search history.

- D623,505 S * 9/2010 Tu D8/367
- D638,330 S * 5/2011 Fahrendorff D11/200
- D694,096 S * 11/2013 DeFrancisci D8/367
- D707,233 S * 6/2014 Sirichai D14/447
- D707,536 S * 6/2014 Van Riper D8/367
- 8,910,347 B1 * 12/2014 Wilcox B65D 63/109
24/30.5 R
- 9,102,276 B1 * 8/2015 Virgin B60R 7/043
- 9,259,828 B2 * 2/2016 Bermes B60P 7/083
- 9,339,086 B2 * 5/2016 Hill B60P 7/0823
- D767,977 S * 10/2016 Man D8/367
- D790,345 S * 6/2017 Nolan D9/434
- 9,751,449 B2 * 9/2017 Bermes B60P 7/083
- 10,214,149 B2 * 2/2019 Nolan B60R 7/043

(Continued)

Primary Examiner — Cynthia R Underwood

(57) **CLAIM**

The ornamental design for a hook and belt assembly, as shown and described.

(56) **References Cited**

U.S. PATENT DOCUMENTS

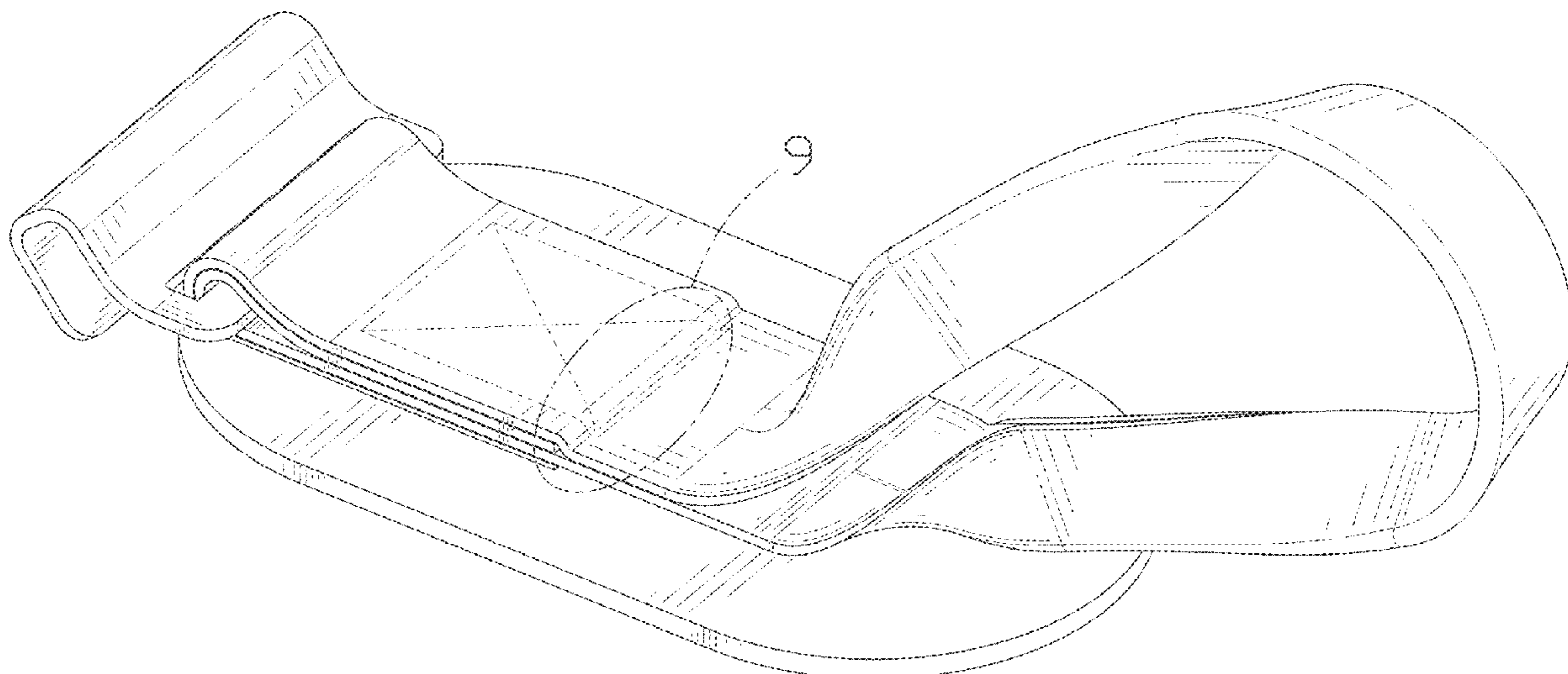
- 3,919,740 A * 11/1975 Scherb A22C 15/006
452/187
- 4,885,824 A * 12/1989 Schwab B65D 63/14
24/17 B
- 5,020,192 A * 6/1991 Gerlach F16G 11/14
24/129 R
- 5,094,417 A * 3/1992 Creed A47G 29/083
248/339
- 5,325,568 A * 7/1994 Bruhm B60P 7/0823
24/301
- 5,647,619 A * 7/1997 DeLisio E05C 17/042
292/288
- D398,220 S * 9/1998 Woods D8/367
- D415,067 S * 10/1999 Tung D8/367
- D426,764 S * 6/2000 Szabo D8/367
- D480,946 S * 10/2003 Estep, Jr. D8/367
- D549,559 S * 8/2007 Polano D8/367
- 7,322,655 B1 * 1/2008 Williams A47C 7/52
297/423.15
- D573,875 S * 7/2008 Anderson D8/367

DESCRIPTION

FIG. 1 is a front and top perspective view of a hook and belt assembly, showing my new design;
 FIG. 2 is a rear and bottom perspective view thereof;
 FIG. 3 is a front elevation view thereof;
 FIG. 4 is a rear elevation view thereof;
 FIG. 5 is a left side elevation view thereof;
 FIG. 6 is a right side elevation view thereof;
 FIG. 7 is a top plan view thereof;
 FIG. 8 is a bottom plan view thereof; and,
 FIG. 9 is an enlarged perspective view of detail “9” identified in FIG. 1.

The dashed lines in the figures illustrate portions of the hook and belt assembly that form no part of the claimed design. The dash dot dash lines in FIGS. 1 and 9 are for the purpose of illustrating the enlarged view indicators and form no part of the claimed design.

1 Claim, 9 Drawing Sheets



(56)

References Cited

U.S. PATENT DOCUMENTS

10,343,612	B1 *	7/2019	Allred	B60R 7/043
10,391,920	B2 *	8/2019	Squires	B60P 7/0823
10,471,899	B2 *	11/2019	Ackeret	B60R 7/08
D878,909	S *	3/2020	Krake	D8/367
D885,873	S *	6/2020	Deng	D8/367
D891,236	S *	7/2020	Kaufman	D8/382
D929,851	S *	9/2021	Deng	D8/367
D929,852	S *	9/2021	Carmo	D8/367
D931,089	S *	9/2021	Guo	D8/367
D951,078	S	5/2022	Wang	
D964,845	S *	9/2022	Chen	D8/367
2011/0101055	A1 *	5/2011	O'Neill	B60R 7/043 224/275
2011/0203441	A1 *	8/2011	Naylor	G10G 5/005 84/327

* cited by examiner

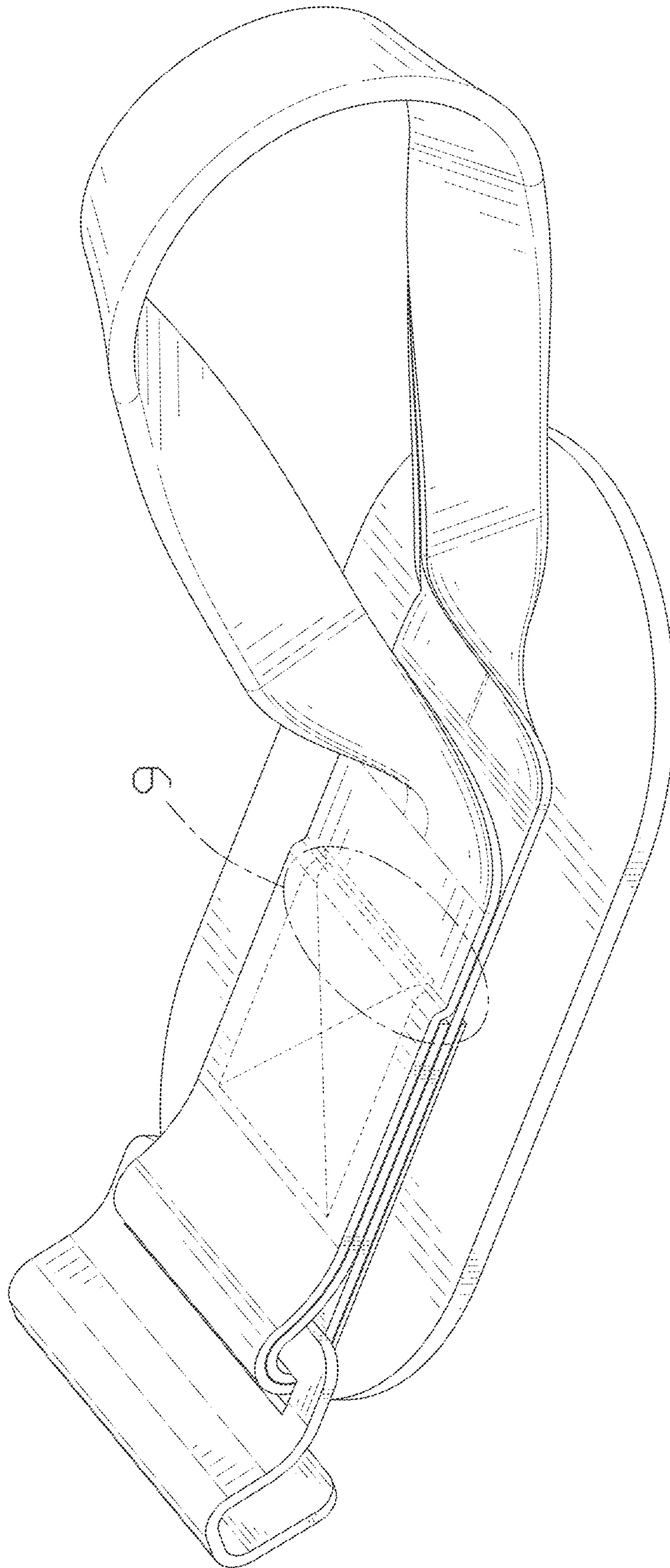


FIG. 1

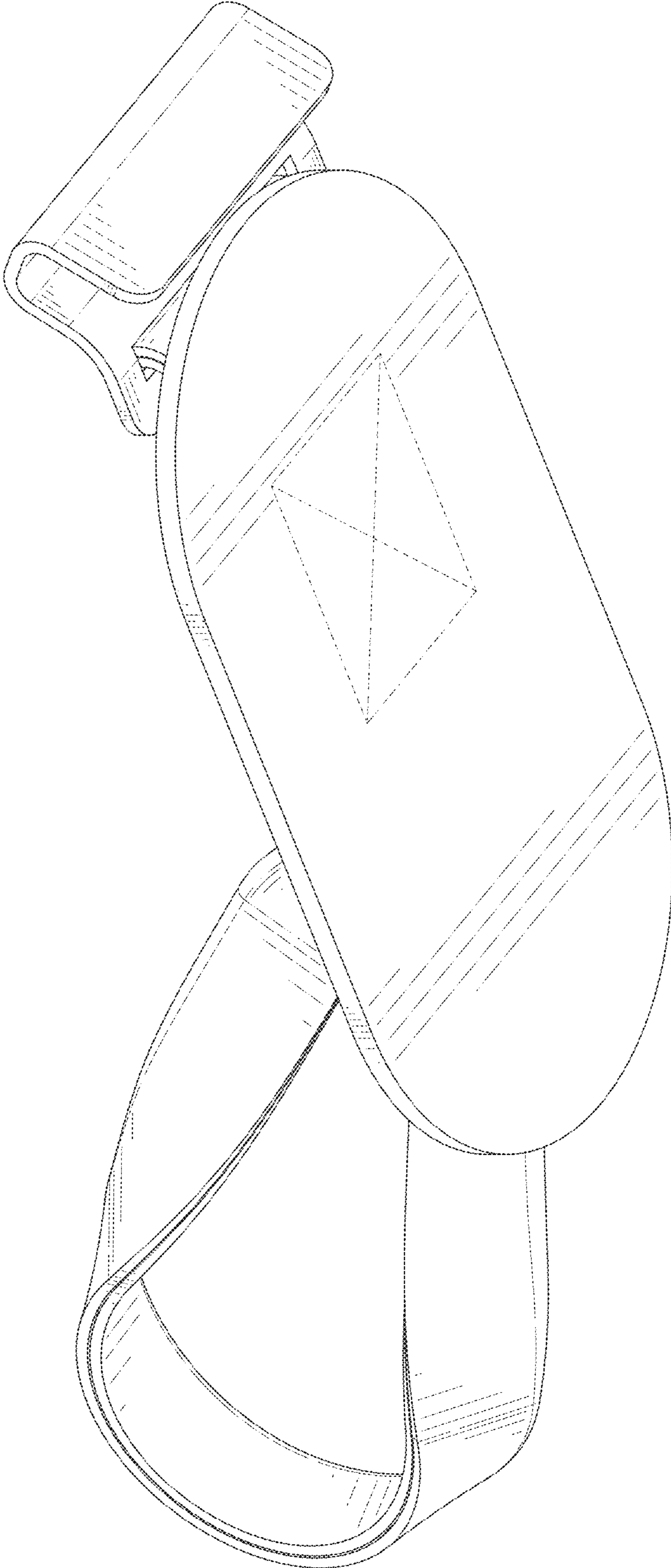


FIG. 2

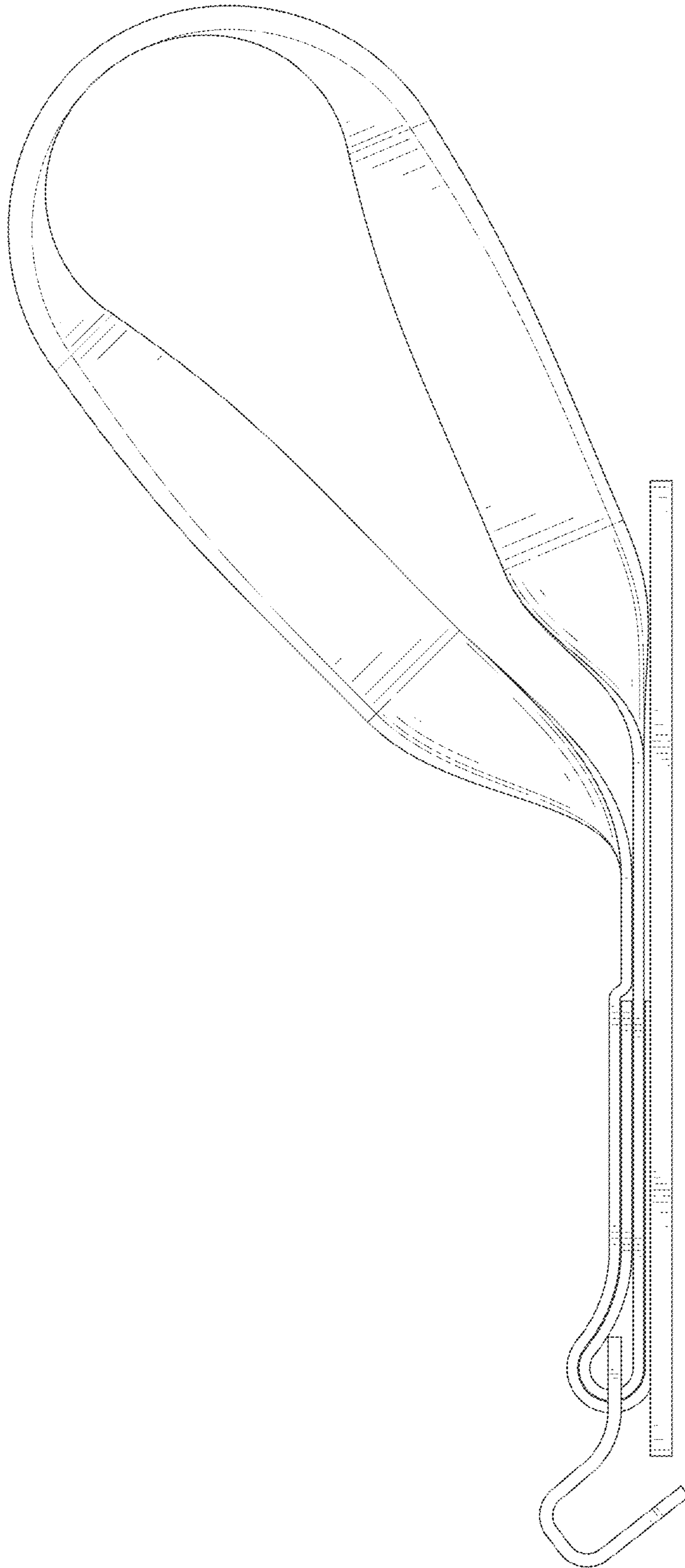


FIG. 3

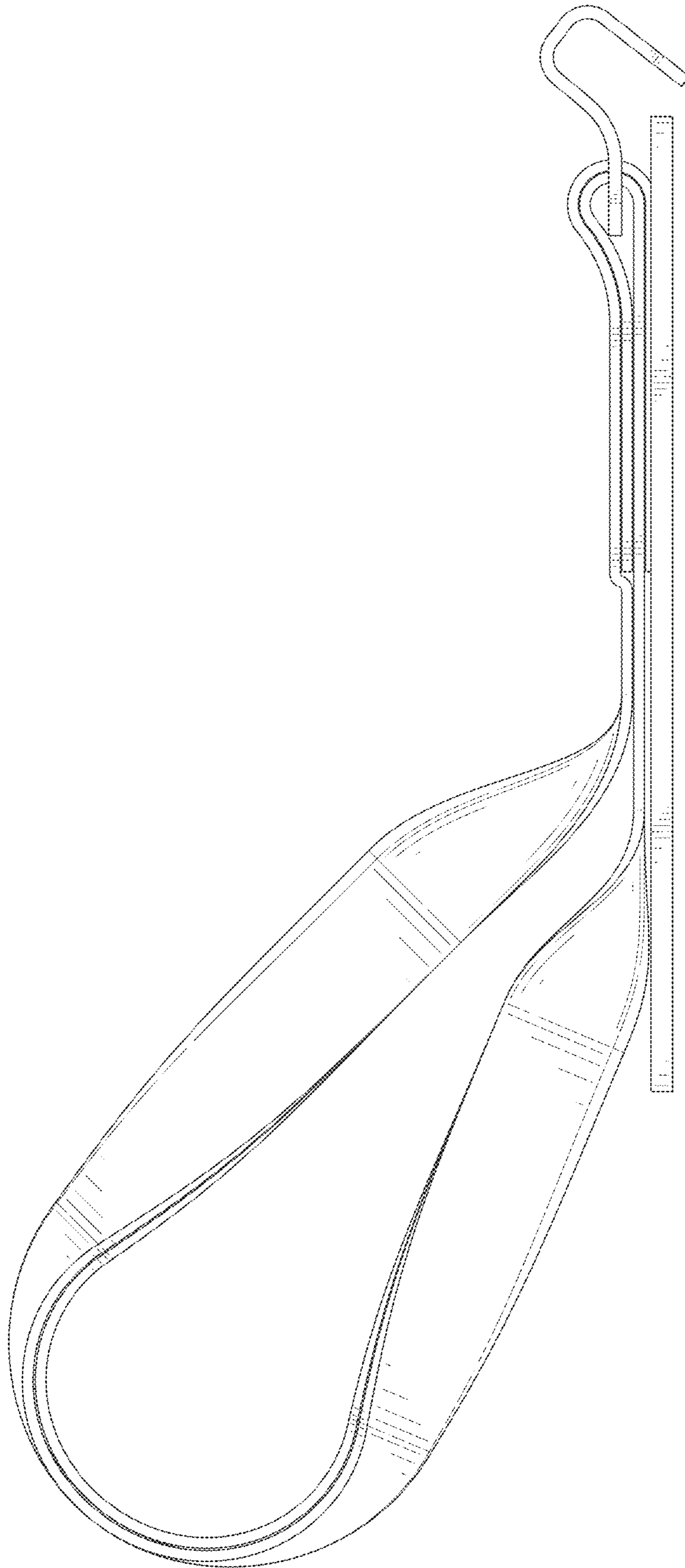


FIG. 4

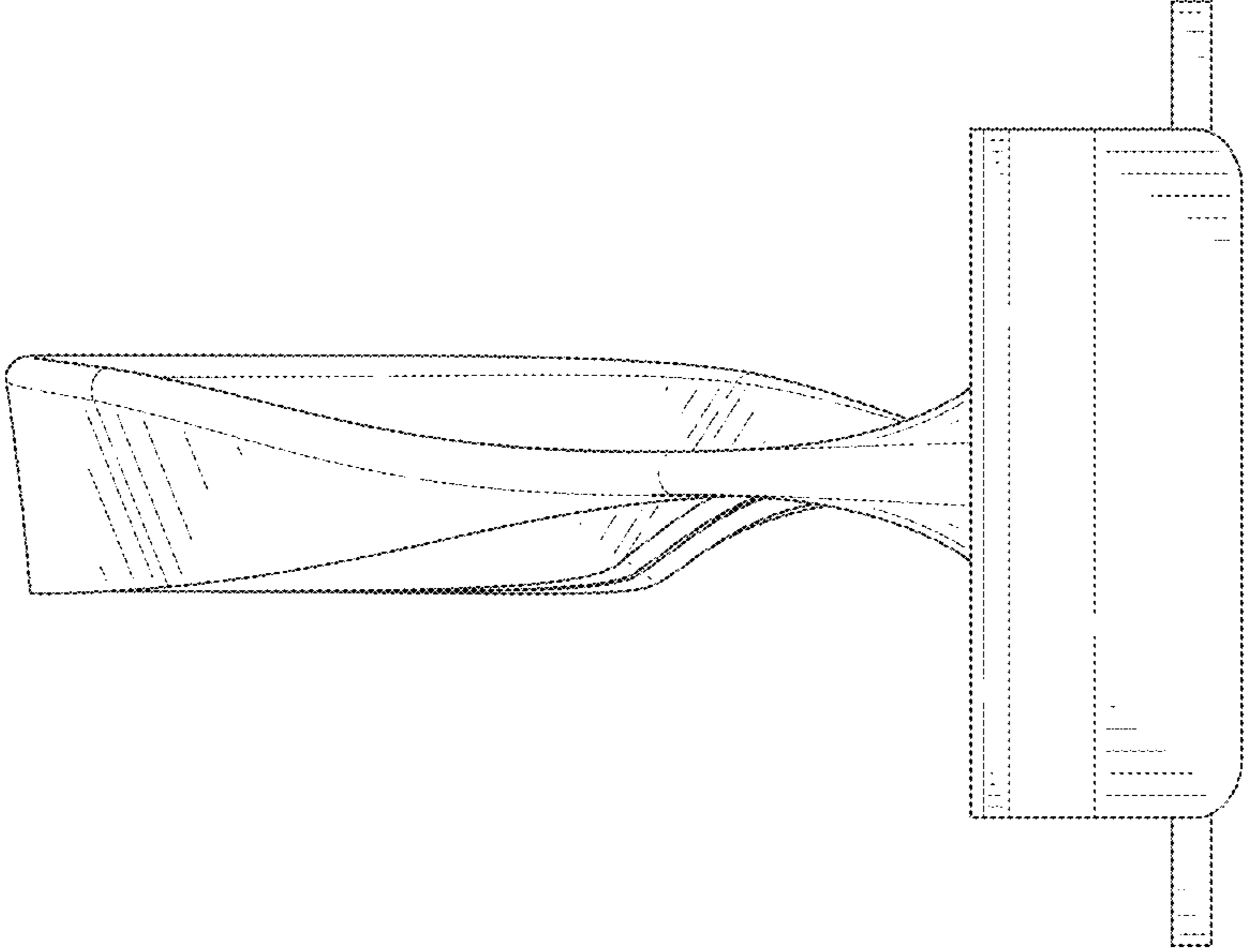


FIG. 5

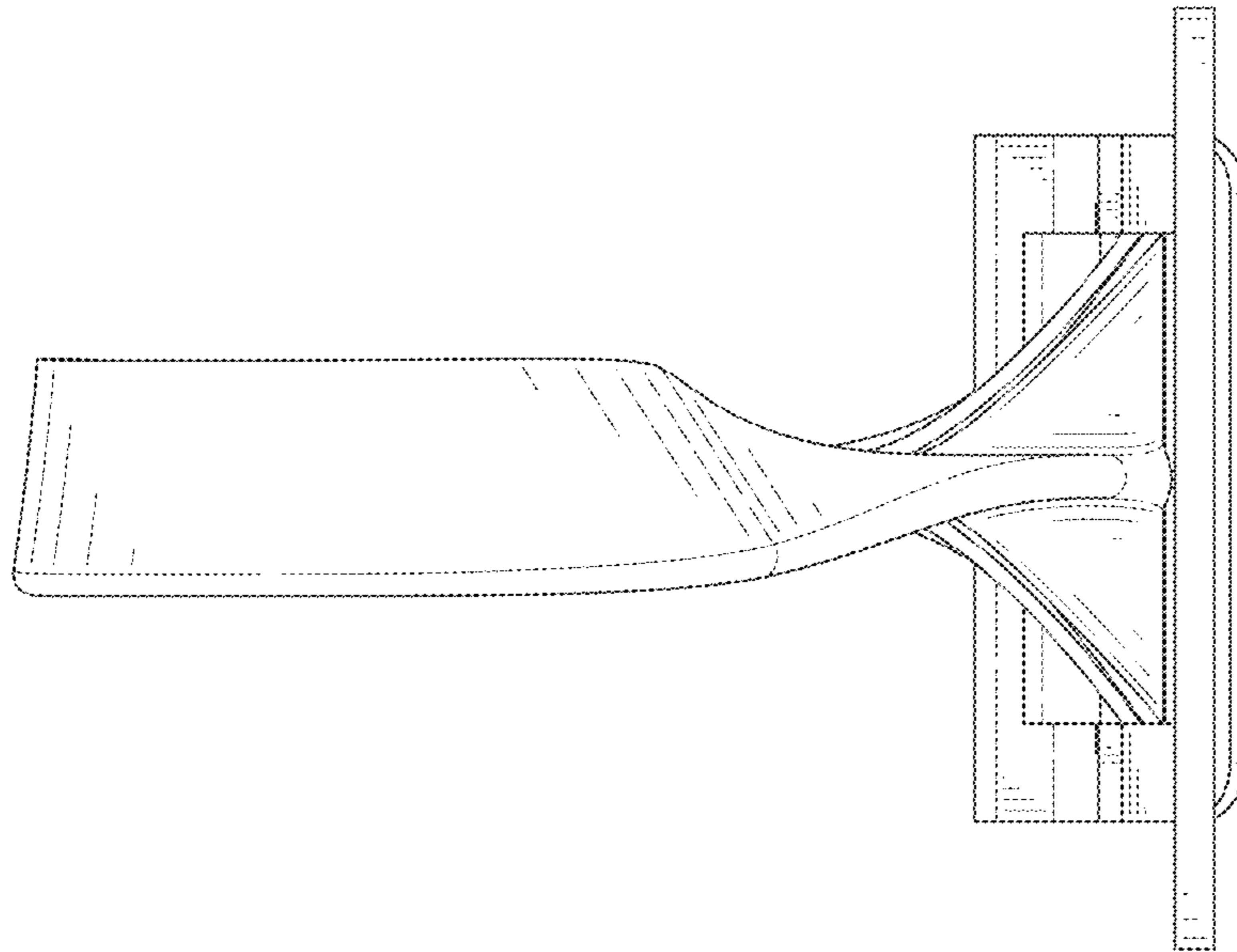


FIG. 6

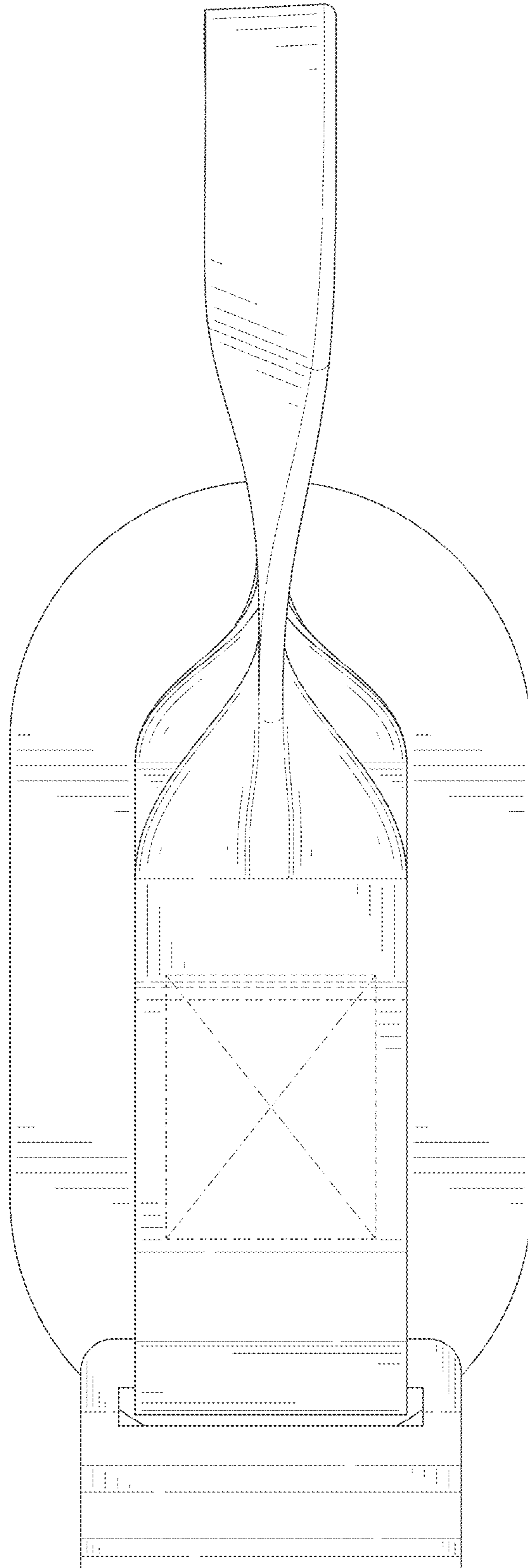


FIG. 7

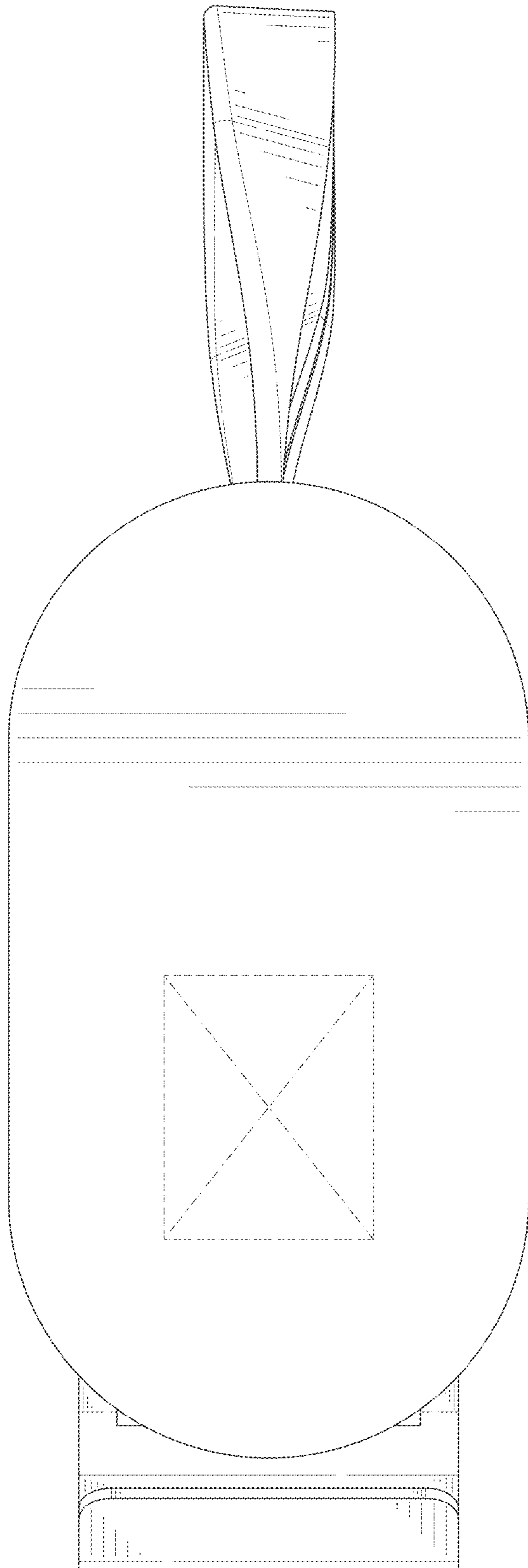


FIG. 8

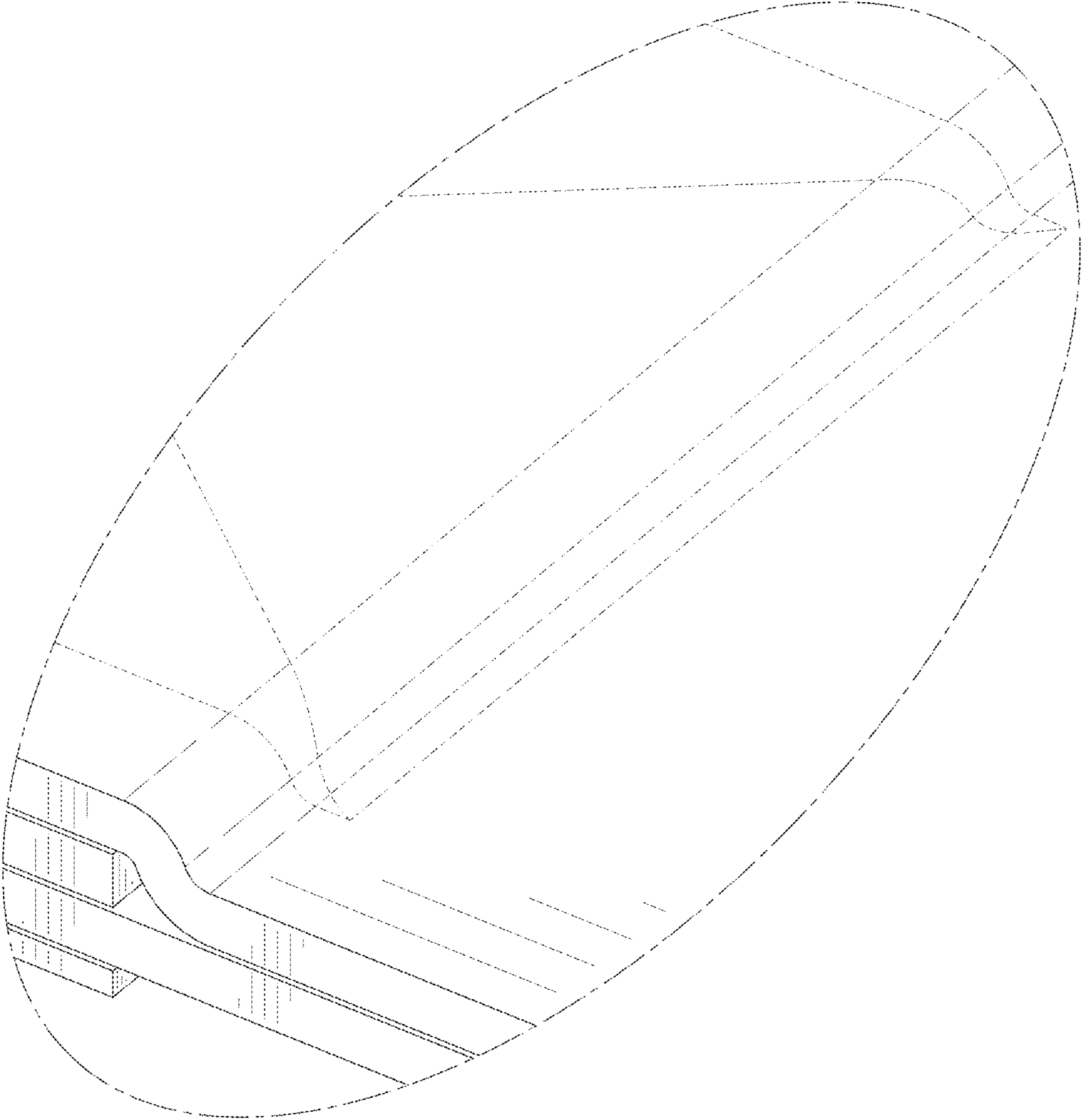


FIG. 9