



US00D986714S

(12) **United States Design Patent** (10) **Patent No.:** **US D986,714 S**
Sun (45) **Date of Patent:** **** May 23, 2023**

(54) **CORD ORGANIZER**
(71) Applicant: **Bingbing Sun**, Henan (CN)
(72) Inventor: **Bingbing Sun**, Henan (CN)
(**) Term: **15 Years**
(21) Appl. No.: **29/887,939**
(22) Filed: **Mar. 27, 2023**
(51) **LOC (14) Cl.** **08-08**
(52) **U.S. Cl.**
USPC **D8/356; D8/394**
(58) **Field of Classification Search**
USPC D8/349, 356-358, 382-385, 394, 395;
D13/155
CPC B65H 75/366; B65H 75/364; B65H 75/34;
B65H 75/4442; B65H 54/60; B65H
75/285; Y10T 24/39; Y10T 24/3444
See application file for complete search history.

(56) **References Cited**
U.S. PATENT DOCUMENTS
D191,885 S * 12/1961 Corlett D8/356
D299,311 S * 1/1989 Whitley, II D8/356
D533,442 S * 12/2006 Baylor D8/382
D592,039 S 5/2009 Okuda
7,825,337 B2 * 11/2010 Young, IV H02G 3/30
174/72 A
D733,534 S * 7/2015 Altrichter D8/356
10,536,766 B1 * 1/2020 Singer H04R 1/1033

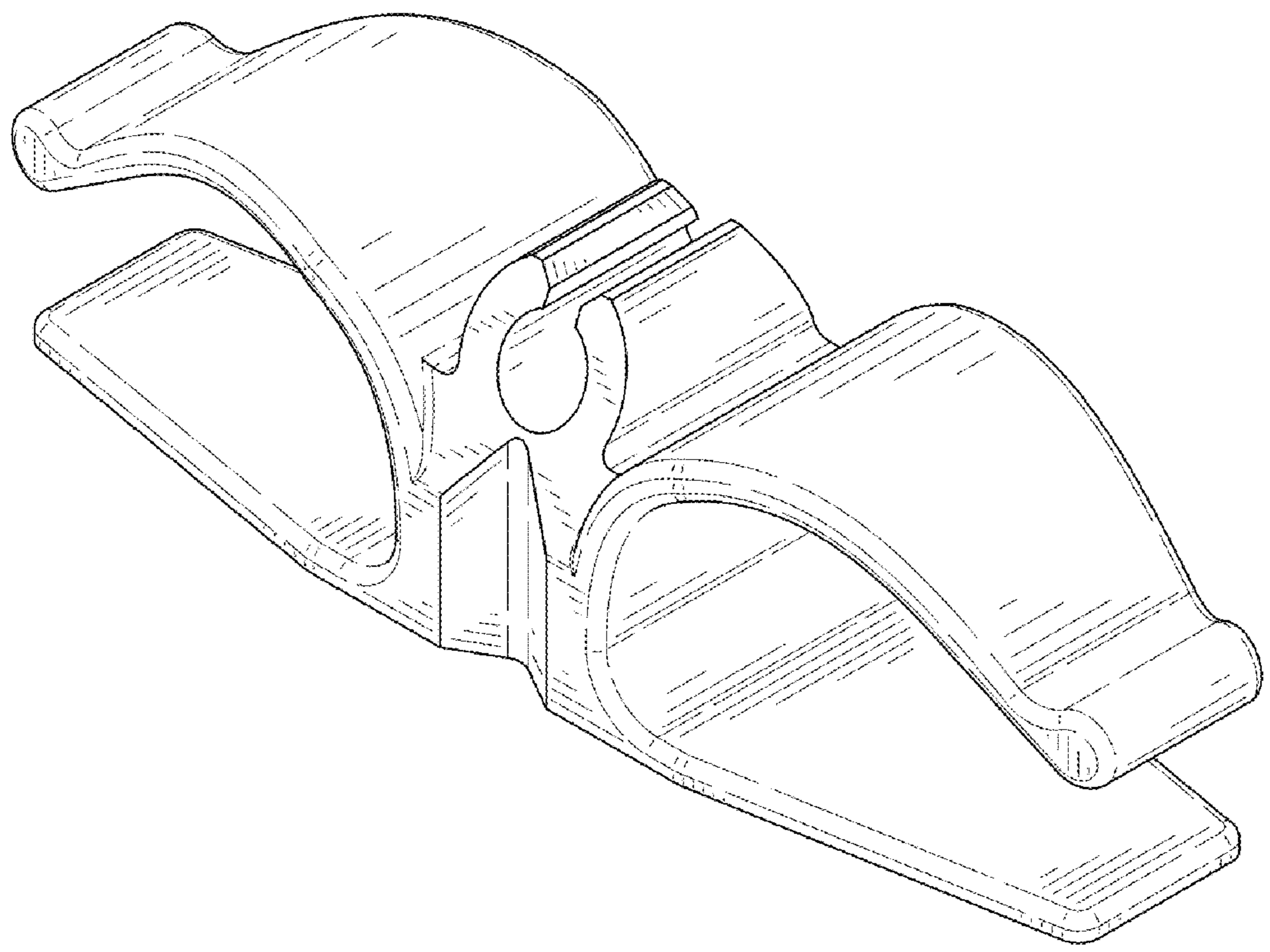
D968,944 S * 11/2022 Liu D8/394
D977,949 S 2/2023 Li
D981,825 * 3/2023 Hu D8/394
2013/0037643 A1 * 2/2013 Belyea E06B 9/326
242/118
2013/0193253 A1 * 8/2013 Sarver B65H 75/446
242/400.1
2013/0220872 A1 * 8/2013 Stiehl B65H 75/285
206/577

* cited by examiner
Primary Examiner — Lauren R Calve
(74) *Attorney, Agent, or Firm* — Kunzler Bean & Adamson, PC; Michael Bartholomew

(57) **CLAIM**
The ornamental design for a cord organizer, as shown and described.

DESCRIPTION
FIG. 1 is a front, right and top perspective view of a cord organizer, showing my design.
FIG. 2 is a rear, left and bottom perspective view thereof.
FIG. 3 is a front elevation view thereof.
FIG. 4 is a rear elevation view thereof.
FIG. 5 is a left side elevation view thereof.
FIG. 6 is a right side elevation view thereof.
FIG. 7 is a top plan view thereof; and,
FIG. 8 is a bottom plan view thereof.
The broken lines depict portions of the cord organizer that form no part of the claimed design.

1 Claim, 8 Drawing Sheets



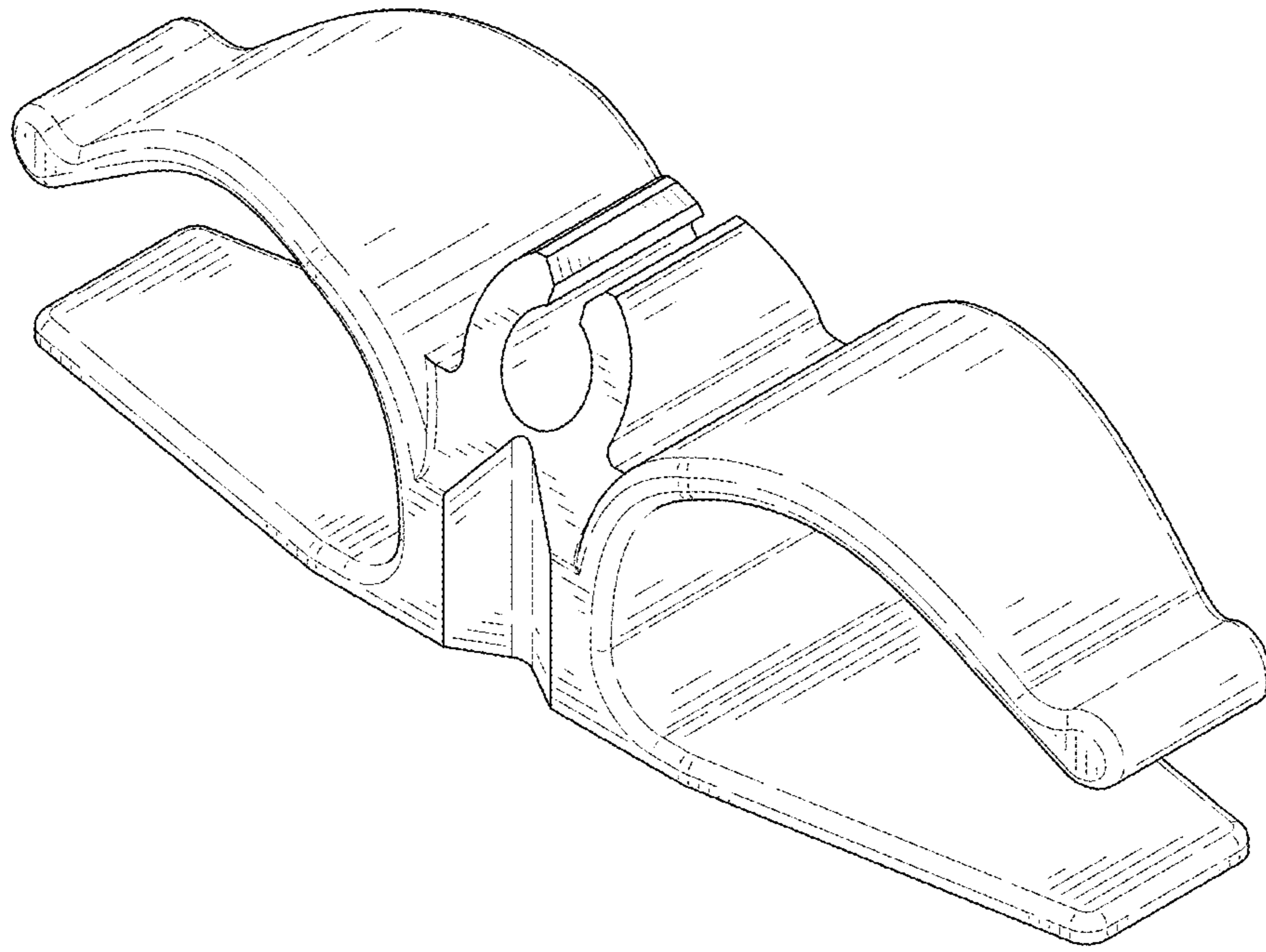


FIG. 1

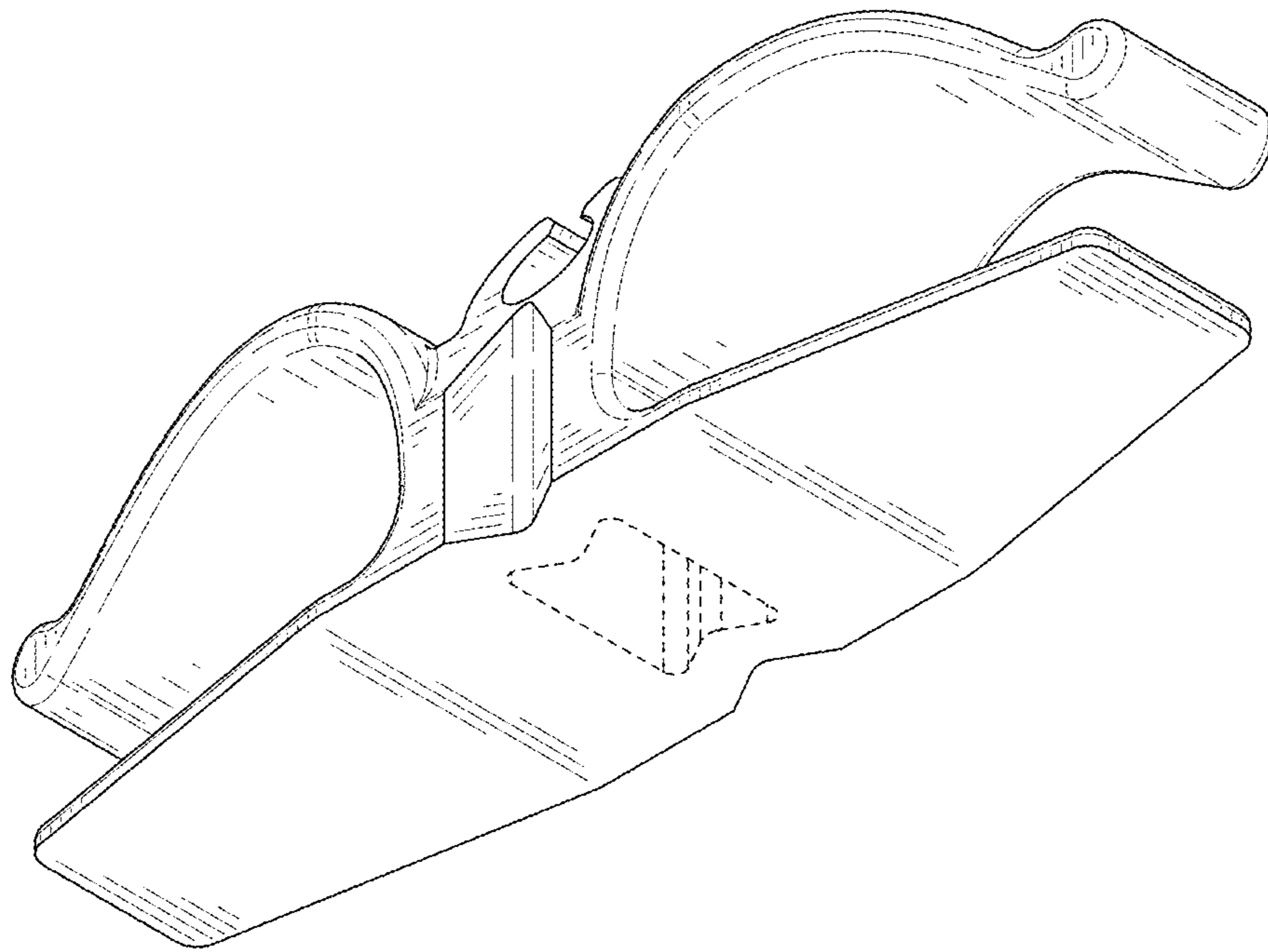


FIG. 2

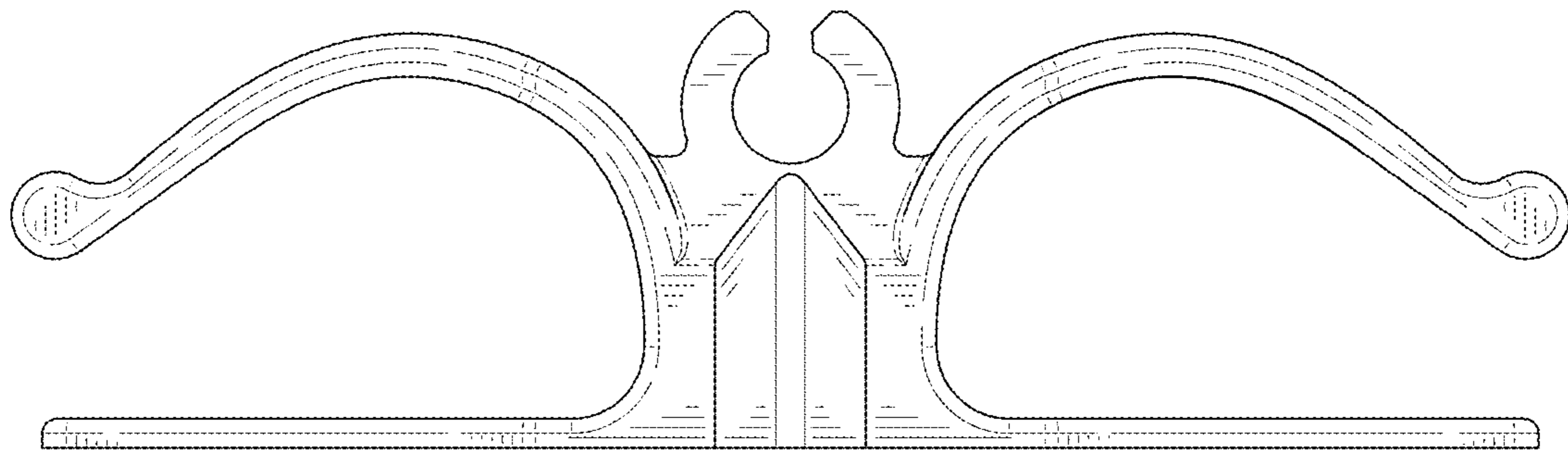


FIG. 3

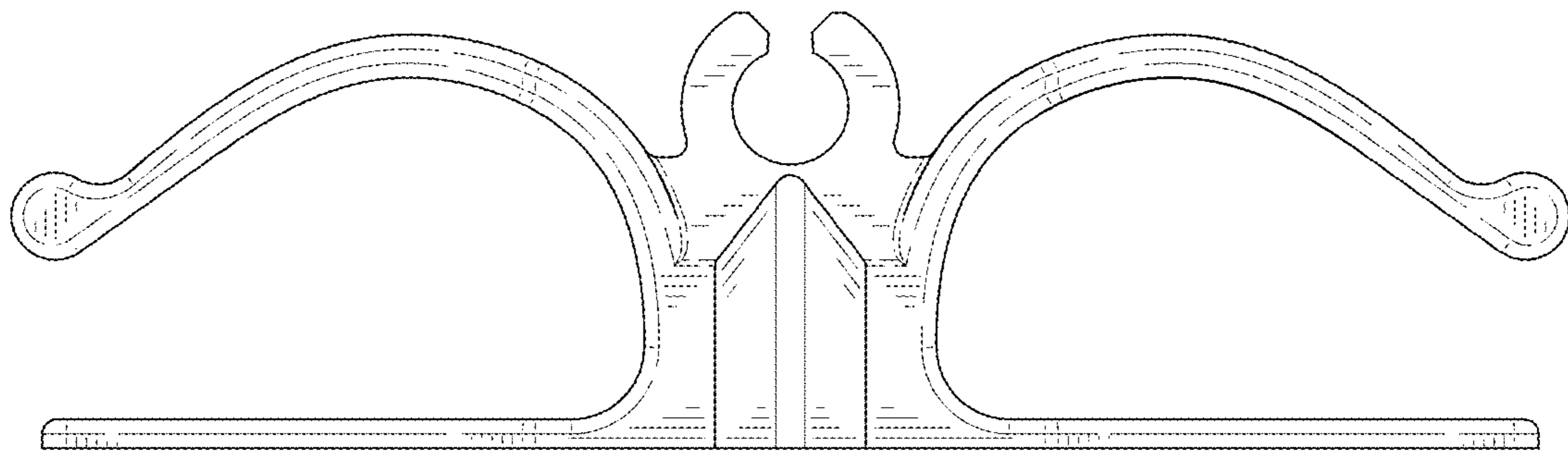


FIG. 4

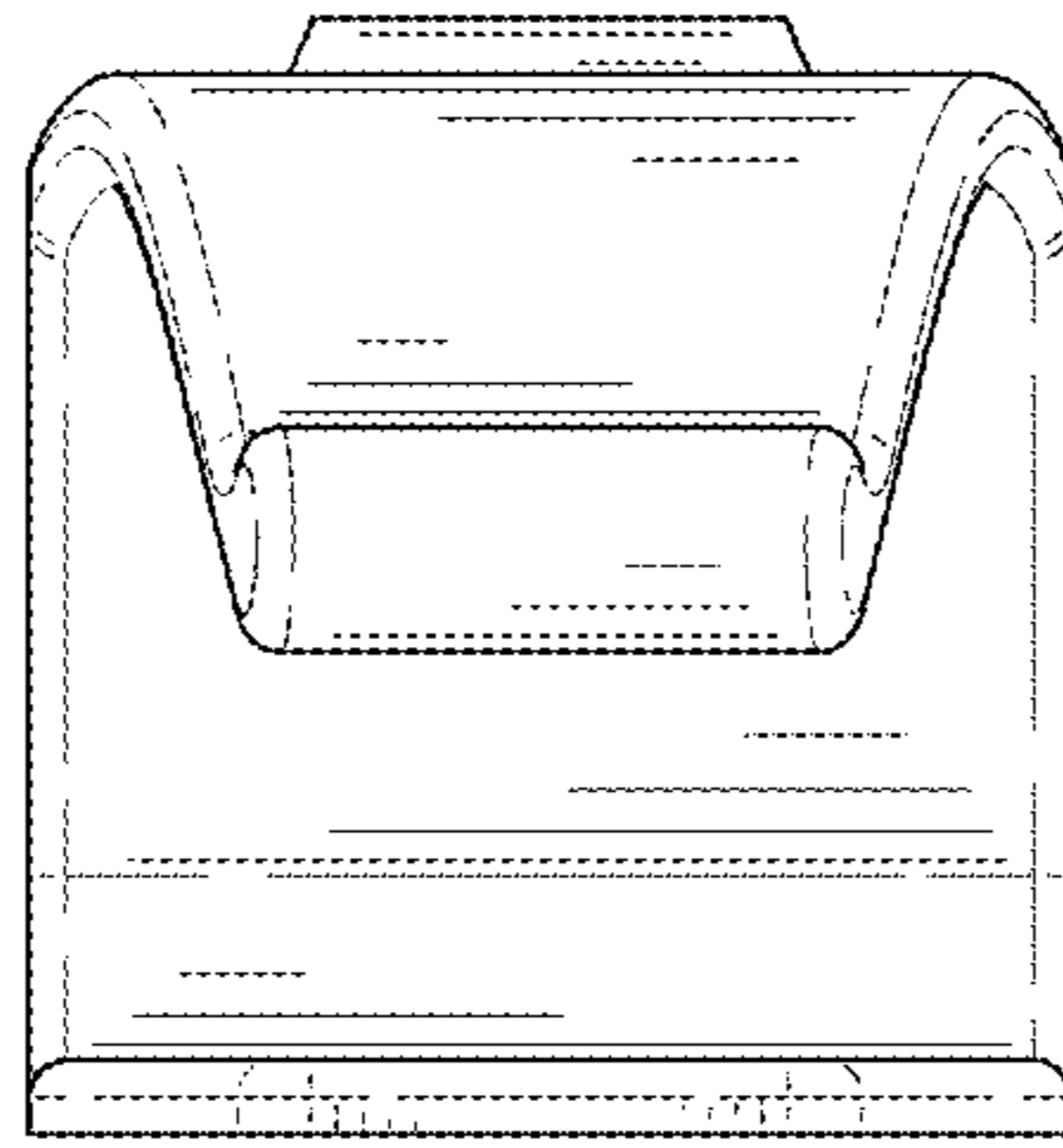


FIG. 5

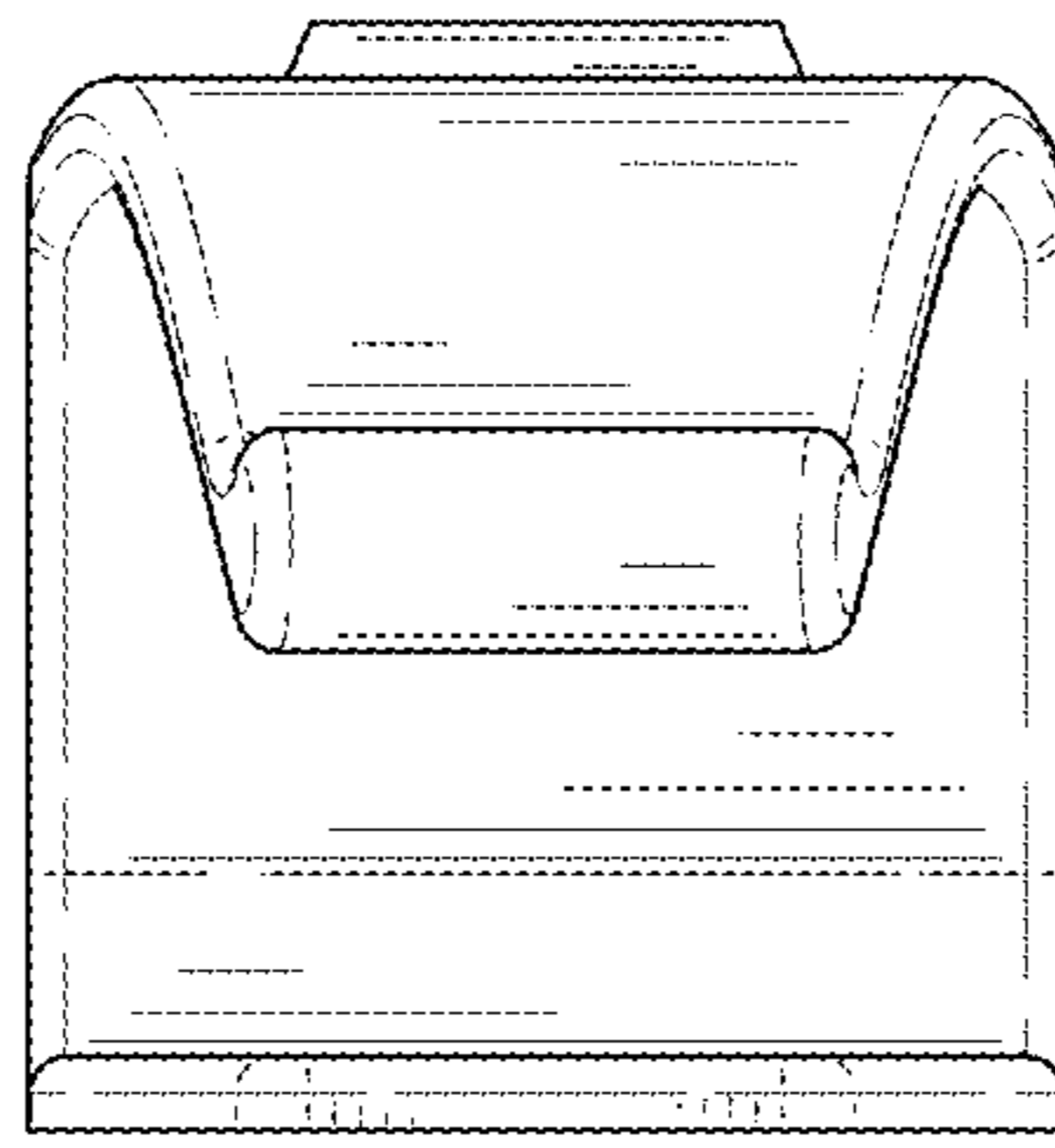


FIG. 6

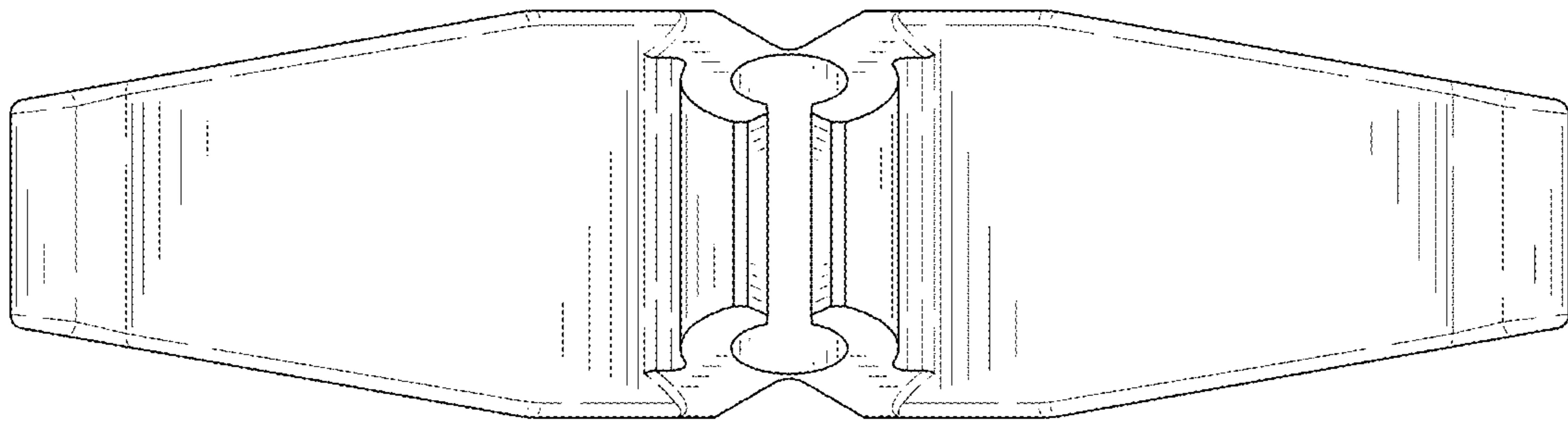


FIG. 7

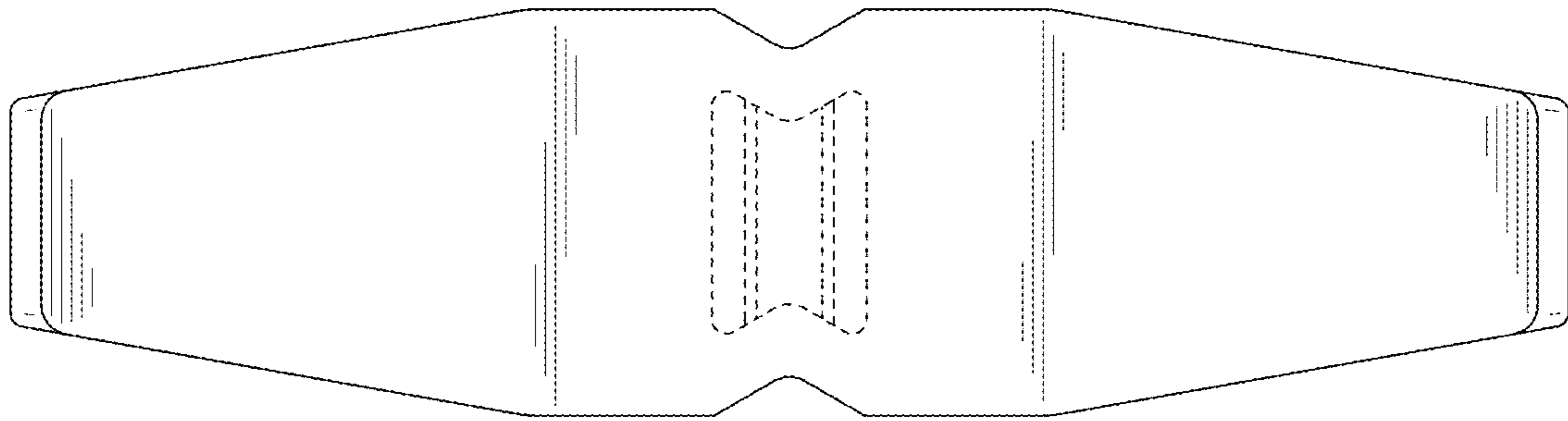


FIG. 8